

US00D664658S

(12) **United States Design Patent**
Günthart et al.

(10) **Patent No.:** **US D664,658 S**
(45) **Date of Patent:** **** Jul. 31, 2012**

(54) **PACKAGE FOR DENTAL IMPLANT**

(56) **References Cited**

(75) Inventors: **Matthias Günthart**, Aarau (CH); **Daniel Irányi**, Steinhausen (CH); **Falko Schlottig**, Füllinsdorf (CH); **Nico Spinelli**, Zürich (CH); **Uwe Werner**, Uitikon Waldegg (CH)

(73) Assignee: **Thommen Medical AG**, Waldenburg (CH)

(**) Term: **14 Years**

(21) Appl. No.: **29/369,057**

(22) Filed: **Sep. 1, 2010**

(30) **Foreign Application Priority Data**

Aug. 25, 2010 (WO) 562 042 201

(51) **LOC (9) Cl.** **24-03**

(52) **U.S. Cl.** **D24/156; D3/203.1**

(58) **Field of Classification Search** D24/156,
D24/155, 176–177, 217, 232; D3/201, 203.7,
D3/203.1; 433/167, 172–174, 229; 206/63.5,
206/368, 493, 586, 588, 363, 438

See application file for complete search history.

U.S. PATENT DOCUMENTS

4,671,410	A *	6/1987	Hansson et al.	206/438
4,763,788	A *	8/1988	Jorneus et al.	206/438
5,368,160	A *	11/1994	Leuschen et al.	206/63.5
5,558,230	A *	9/1996	Fischer et al.	206/63.5
5,996,779	A *	12/1999	Klardie et al.	206/63.5
6,955,258	B2 *	10/2005	Howlett et al.	206/63.5
7,854,316	B2 *	12/2010	Park et al.	206/63.5
8,083,054	B2 *	12/2011	Nihei et al.	206/63.5
2011/0017623	A1 *	1/2011	Guenter et al.	206/368
2011/0056851	A1 *	3/2011	Schlottig et al.	206/63.5

* cited by examiner

Primary Examiner — Wan Laymon

(74) *Attorney, Agent, or Firm* — Sughrue Mion, PLLC

(57) **CLAIM**

The ornamental design for a package for dental implant, as shown and described.

DESCRIPTION

FIG. 1 is a perspective view of a transparent embodiment of a package for dental implant, showing our new design in an open condition;

FIG. 2 is a left side view of that package for dental implant;

FIG. 3 is a right side view of package for dental implant;

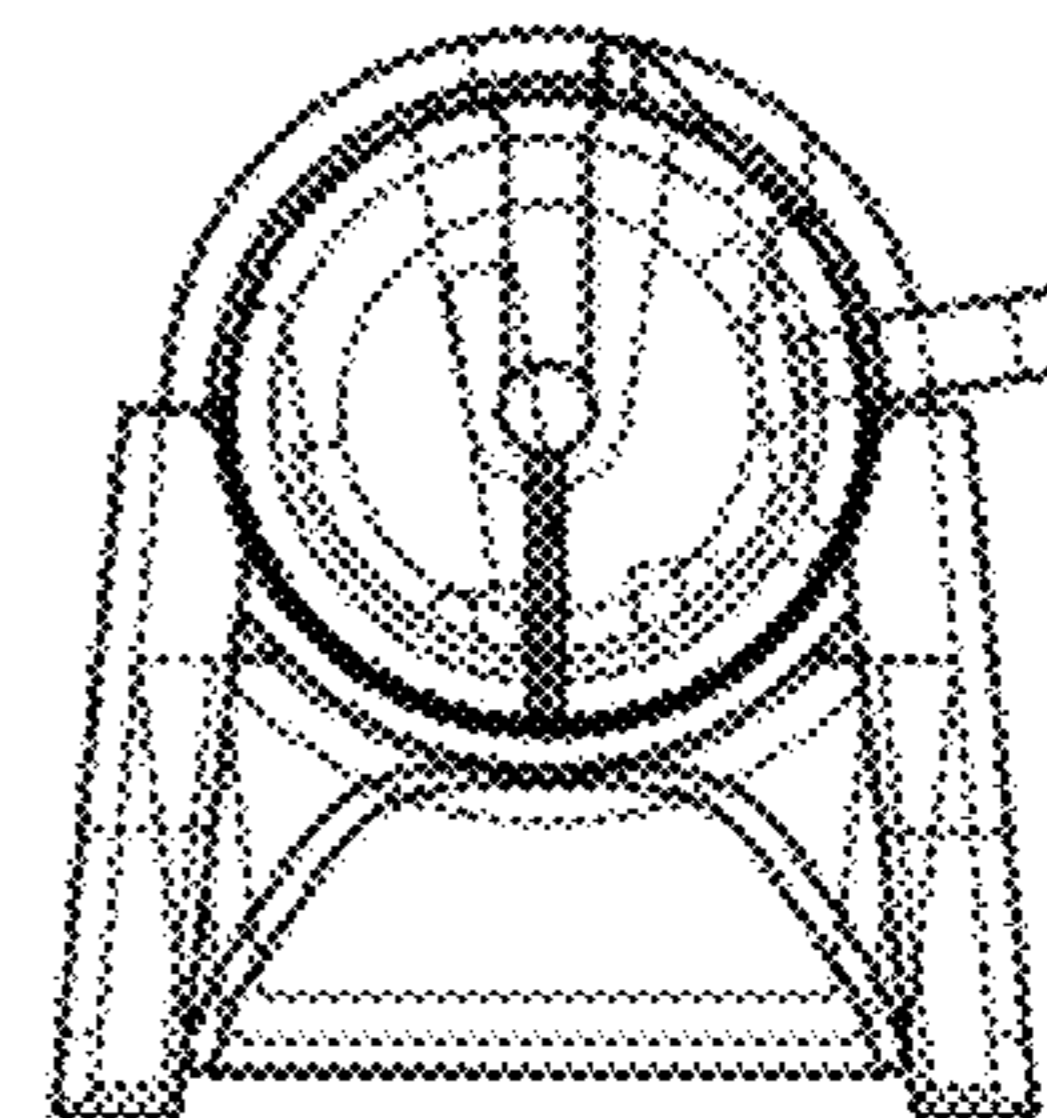
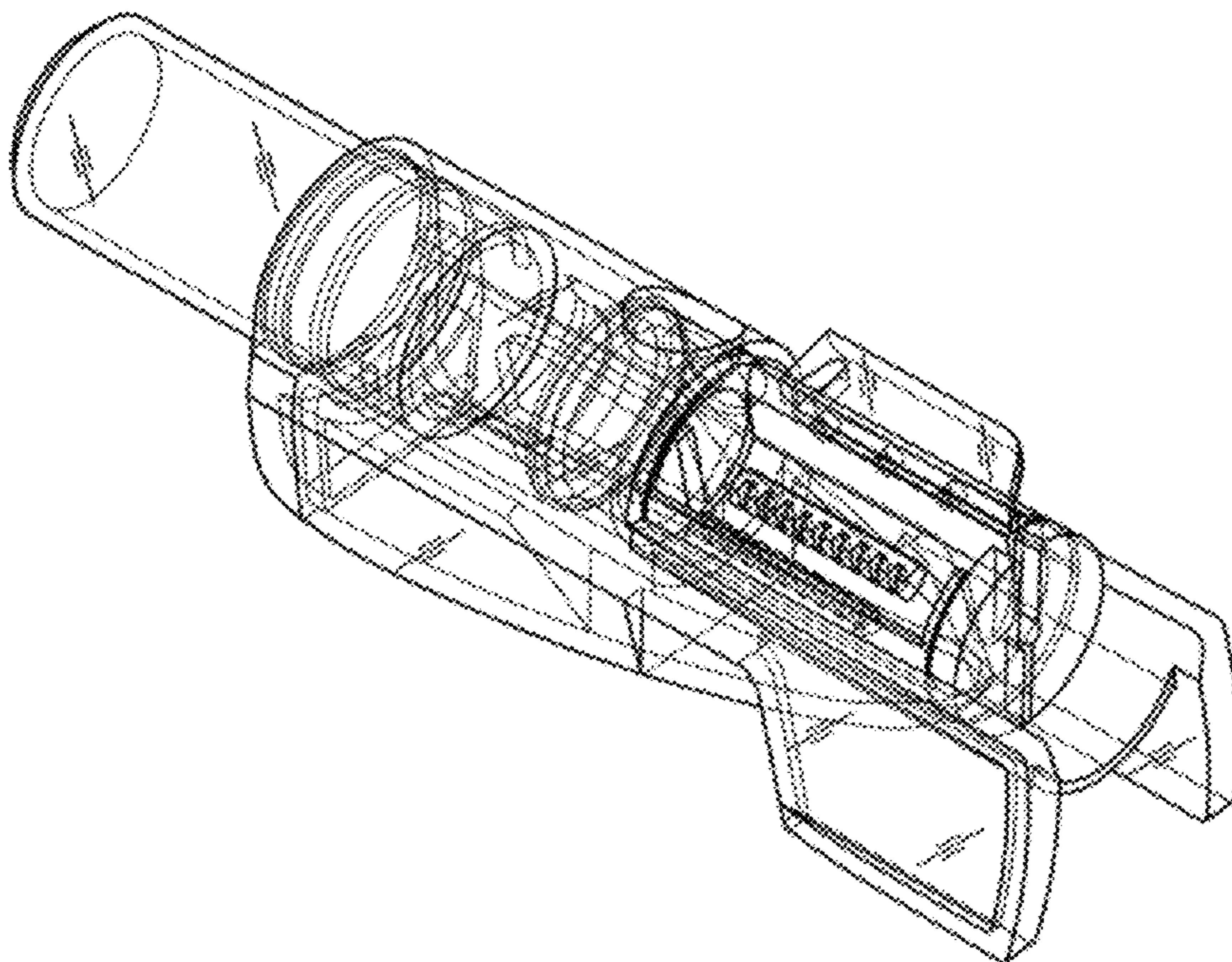
FIG. 4 is a bottom view of that package for dental implant;

FIG. 5 is a top view of that package for dental implant;

FIG. 6 is a front view of that package for dental implant; and,

FIG. 7 is a back view of that package for dental implant.

1 Claim, 7 Drawing Sheets



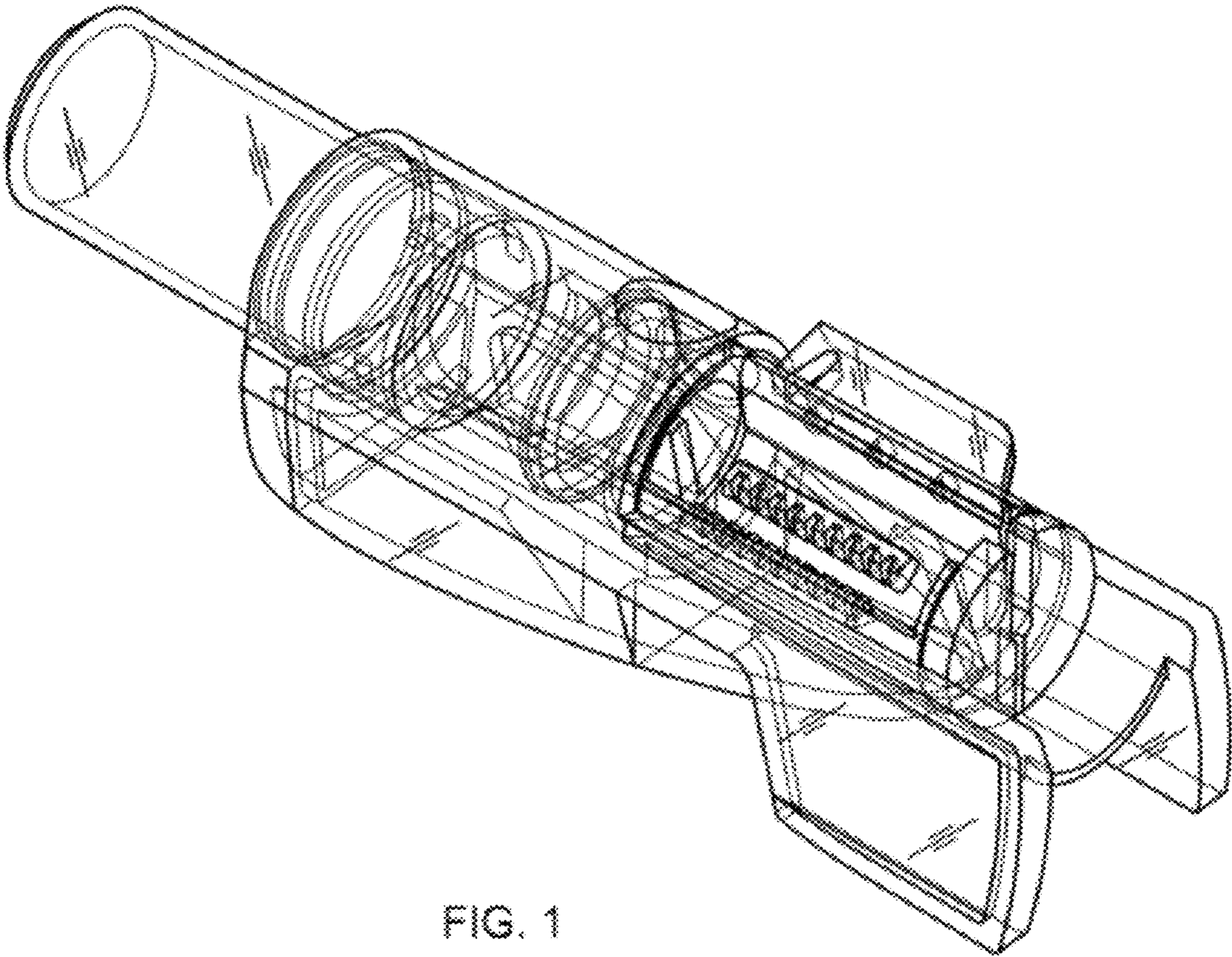


FIG. 1

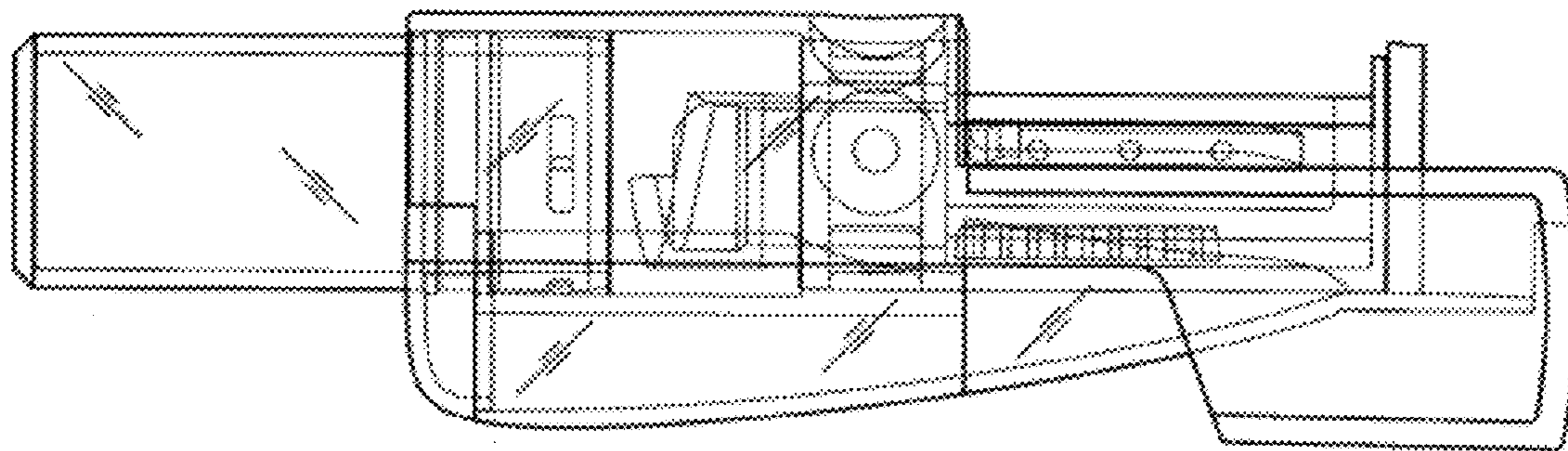


FIG. 2

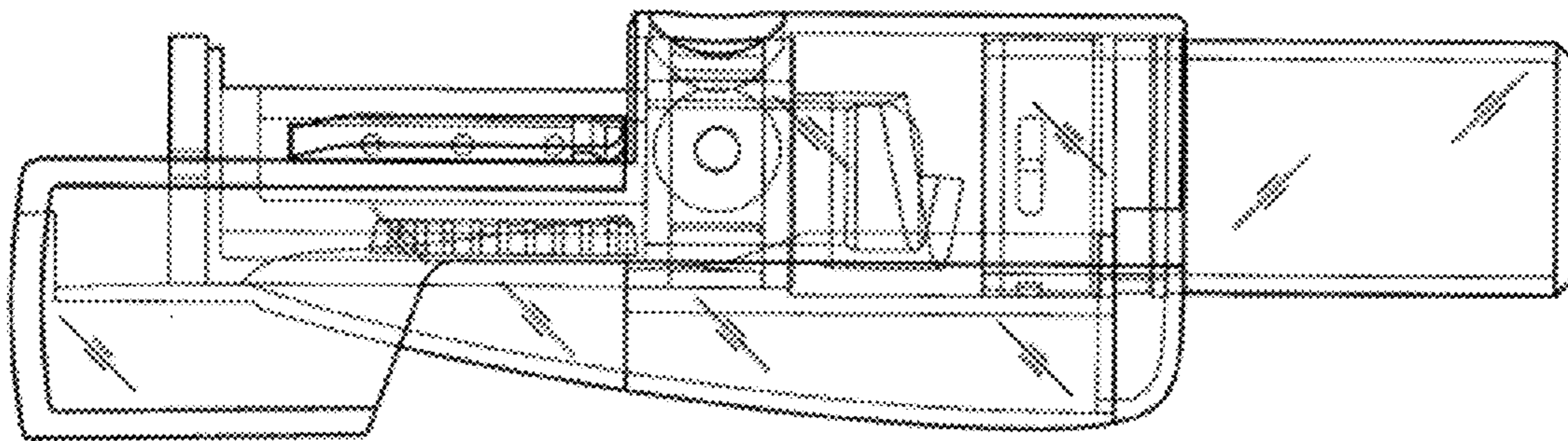


FIG. 3

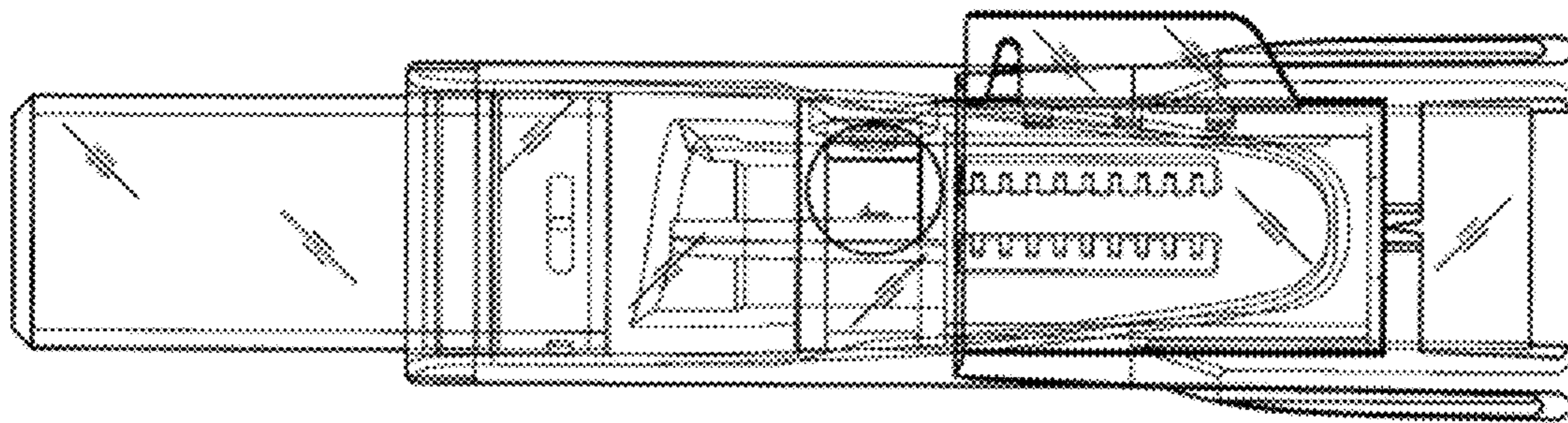


FIG. 4

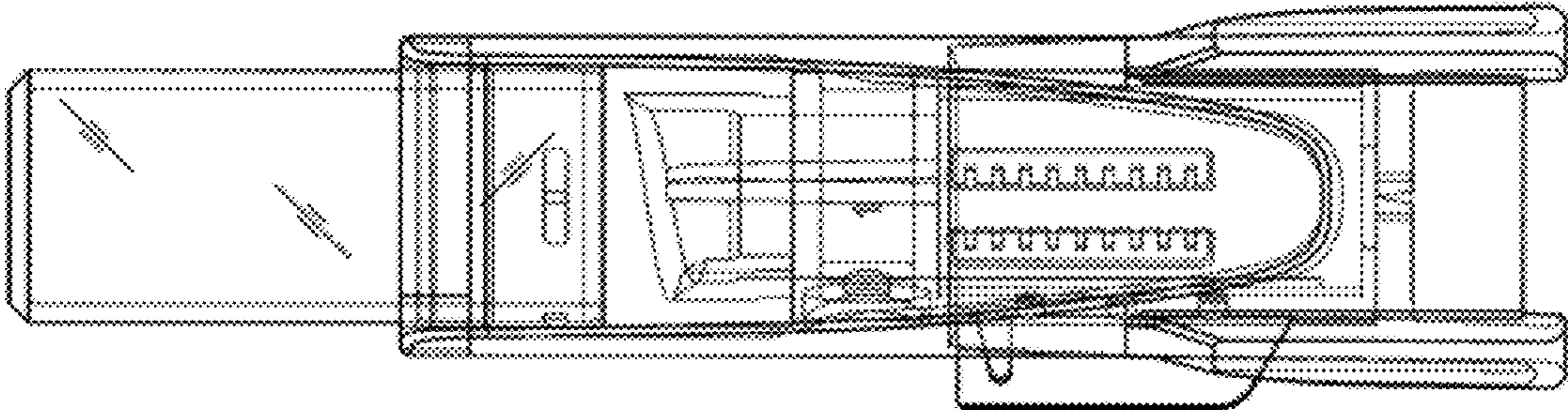


FIG. 5

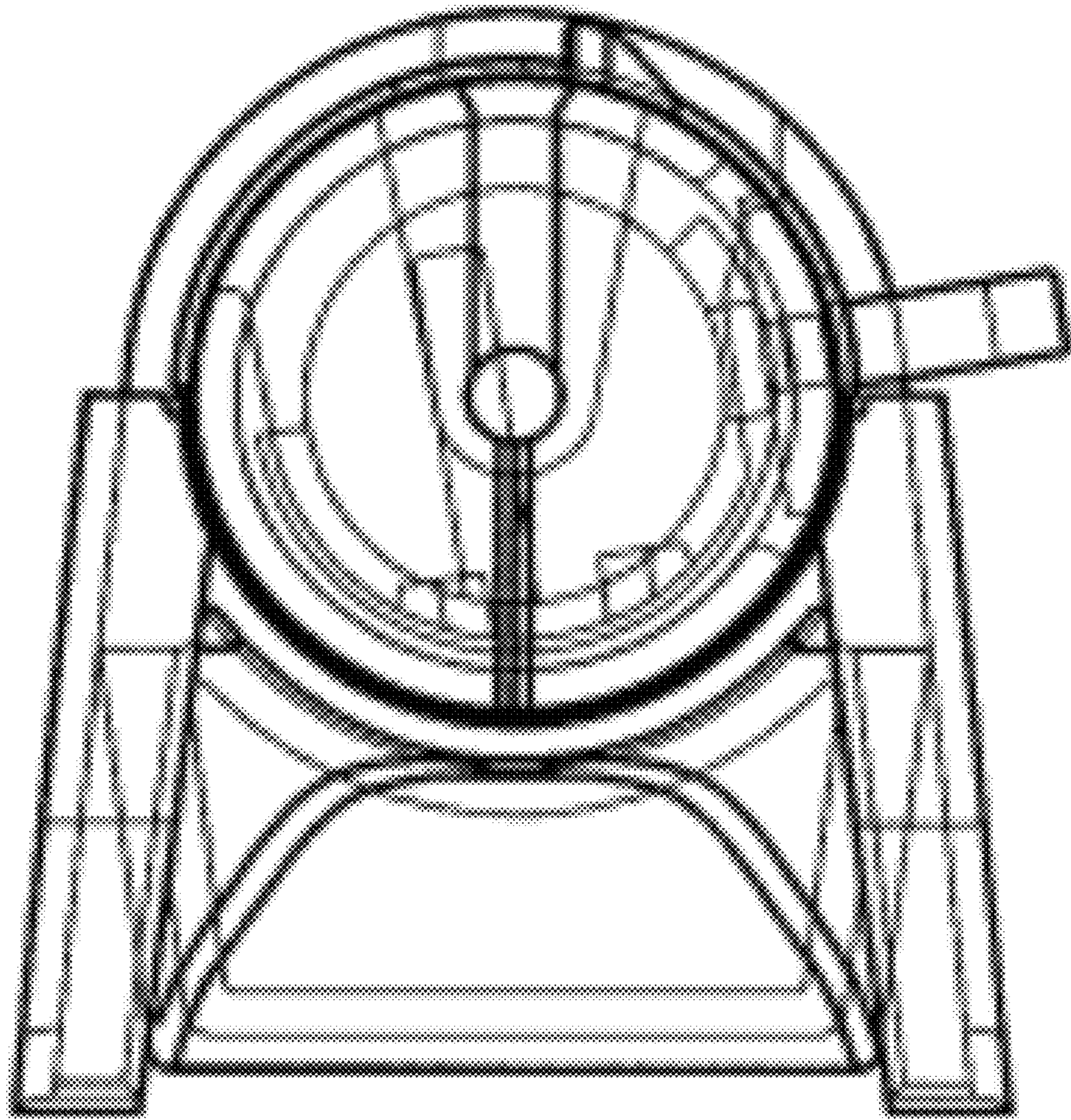


FIG. 6

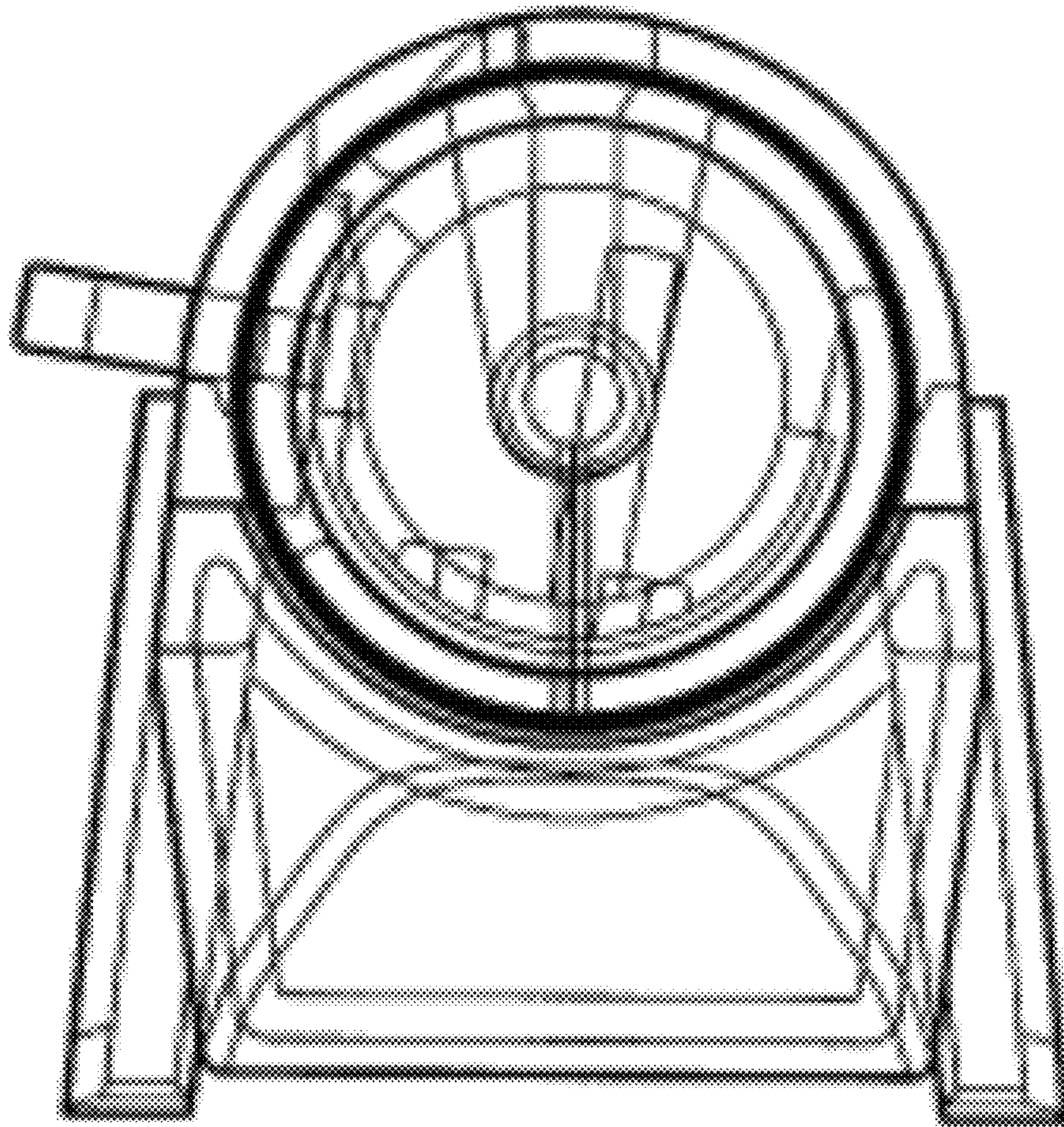


FIG. 7