



US00D664657S

(12) **United States Design Patent**
Vieira et al.

(10) **Patent No.:** **US D664,657 S**

(45) **Date of Patent:** **** Jul. 31, 2012**

(54) **ELECTROSURGICAL HANDPIECE**

(75) Inventors: **Edson Vieira**, Ribeirao Preto (BR);
Nicholas Vieira, Ribeirao Preto (BR);
Jerome Canady, Lakeland, FL (US)

(73) Assignee: **U.S. Patent Innovations, LLC**,
Lakeland, FL (US)

(**) Term: **14 Years**

(21) Appl. No.: **29/404,125**

(22) Filed: **Oct. 17, 2011**

(51) **LOC (9) Cl.** **24-02**

(52) **U.S. Cl.** **D24/144**

(58) **Field of Classification Search** D24/133,
D24/144; D14/411; 606/32, 39-42, 45,
606/49, 132, 186

See application file for complete search history.

(56) **References Cited**

U.S. PATENT DOCUMENTS

D246,053	S	*	10/1977	Staub et al.	D24/144
D249,549	S	*	9/1978	Pike	D24/144
D320,271	S	*	9/1991	Jones	D24/144
D441,077	S	*	4/2001	Garito et al.	D24/144
D453,222	S	*	1/2002	Garito et al.	D24/144
6,402,748	B1	*	6/2002	Schoenman et al.	606/45
D493,530	S	*	7/2004	Reschke	D24/144
D521,641	S	*	5/2006	Reschke et al.	D24/144
7,500,974	B2	*	3/2009	Sartor	606/45
D619,579	S		7/2010	Flores Rodrigues Vieira		

8,100,902	B2	*	1/2012	Sartor	606/45
8,162,937	B2	*	4/2012	Cunningham et al.	606/42
2011/0054461	A1	*	3/2011	Dickhans	606/41

* cited by examiner

Primary Examiner — Wan Laymon

(74) *Attorney, Agent, or Firm* — 24IP Law Group; Timothy R. DeWitt

(57) **CLAIM**

The ornamental design for an electrosurgical handpiece, as shown and described.

DESCRIPTION

FIG. 1 is a front perspective view of an electrosurgical handpiece showing our new design;

FIG. 2 is a front view of the electrosurgical handpiece shown in FIG. 1;

FIG. 3 is a rear view of the electrosurgical handpiece shown in FIG. 1;

FIG. 4 is a first side view of the electrosurgical handpiece shown in FIG. 1;

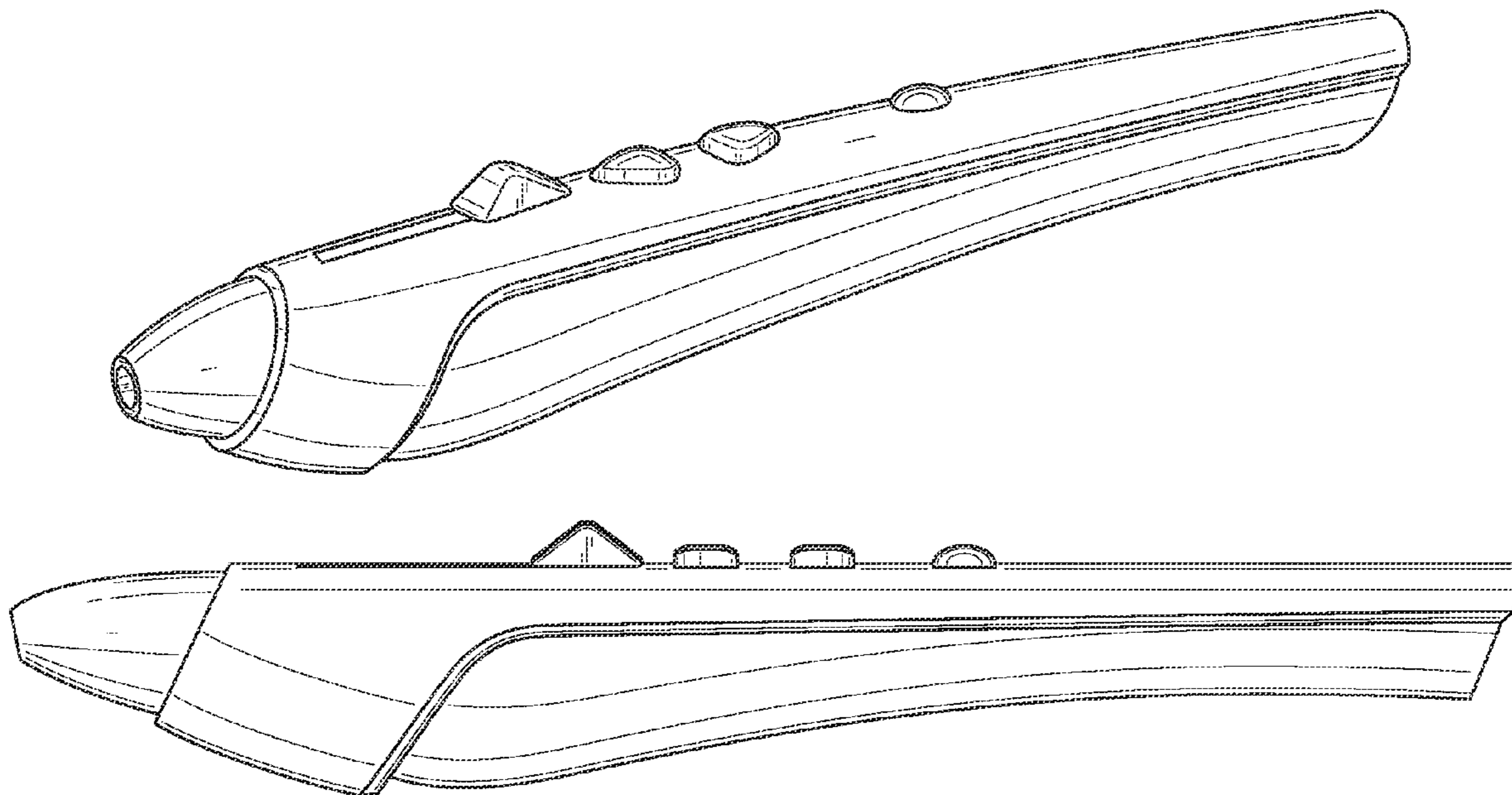
FIG. 5 is a second side view of the electrosurgical handpiece shown in FIG. 1;

FIG. 6 is a top view of the electrosurgical handpiece shown in FIG. 1; and,

FIG. 7 is a bottom view of the electrosurgical handpiece shown in FIG. 1.

It will be understood that the dashed lines presented in the drawings are for illustration only and do not form a part of the claimed design.

1 Claim, 4 Drawing Sheets



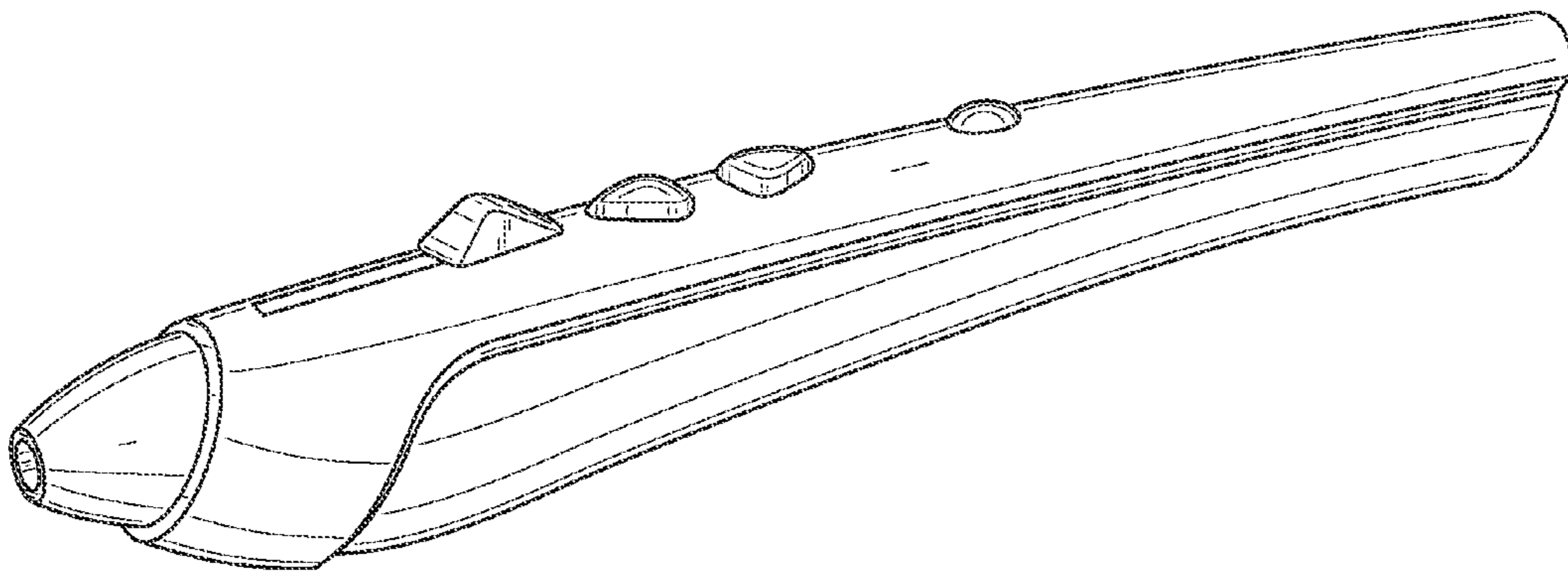


FIG. 1

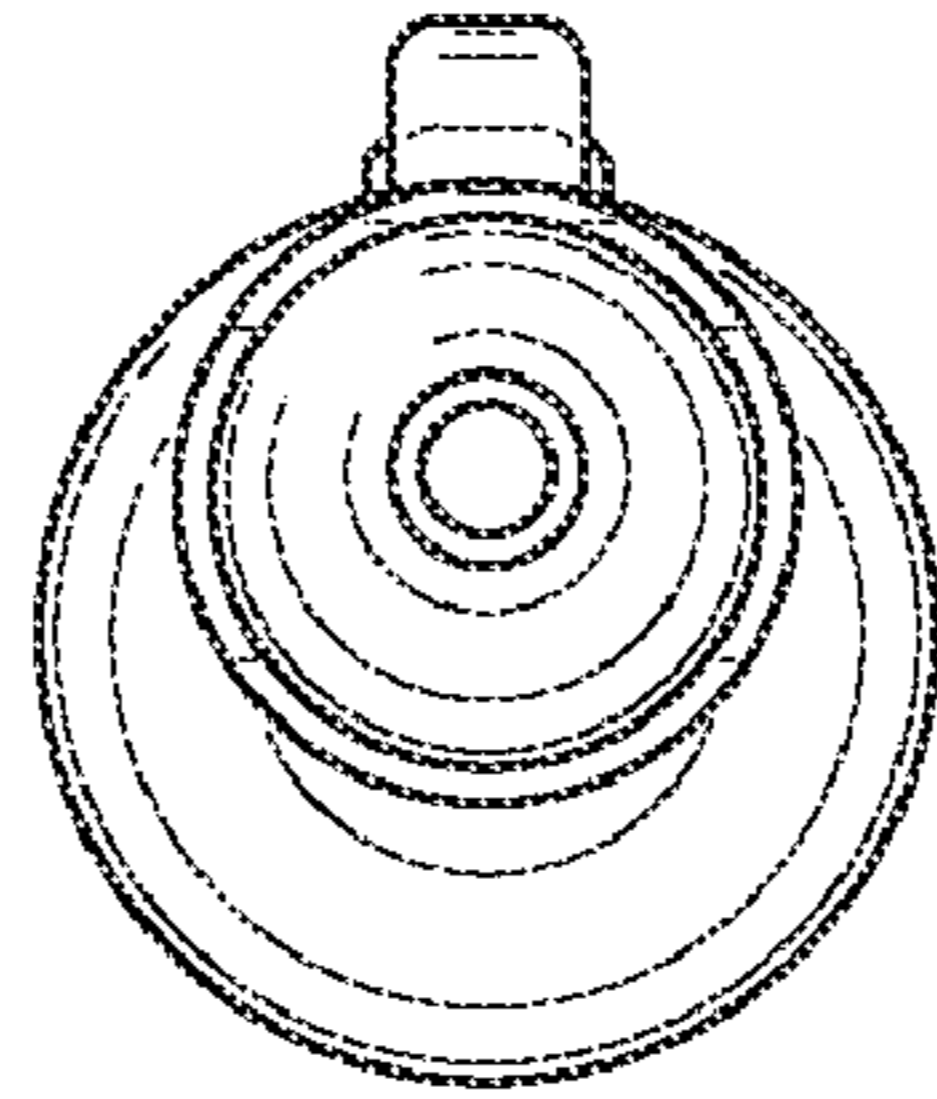


FIG. 2

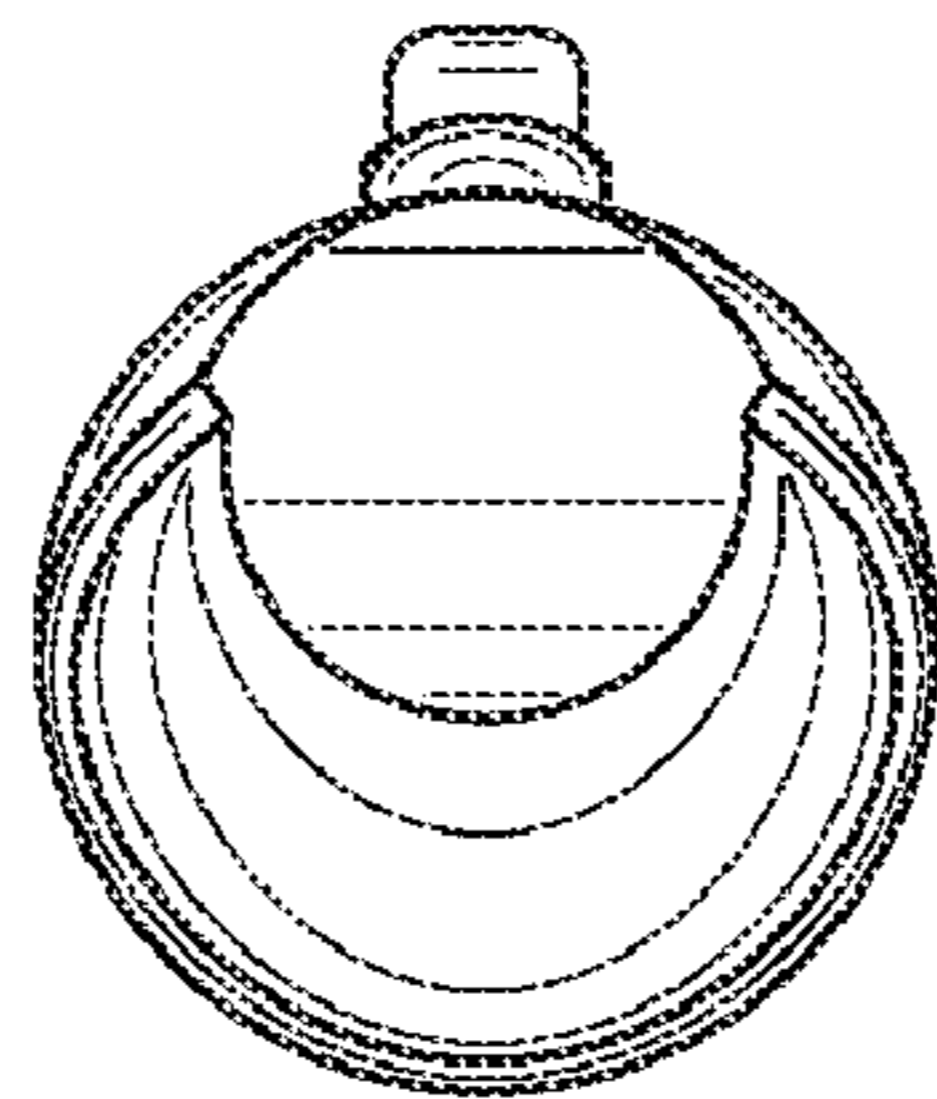


FIG. 3

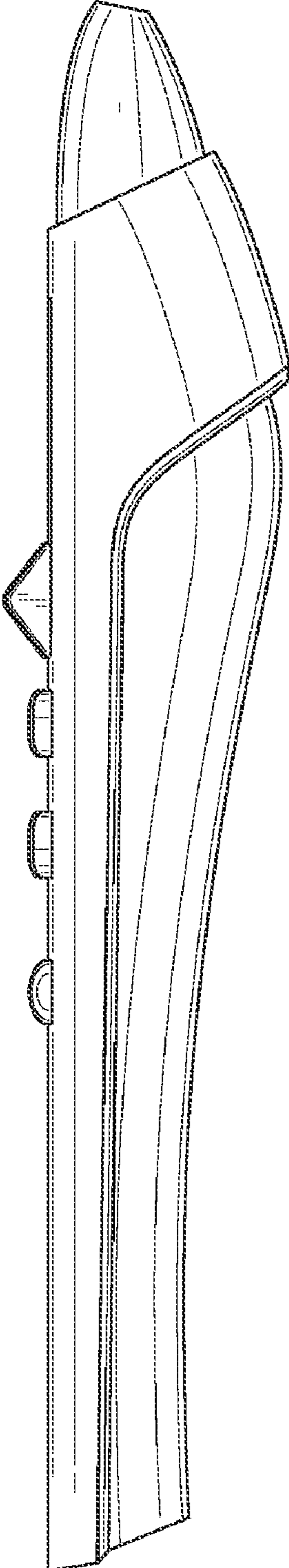


FIG. 4

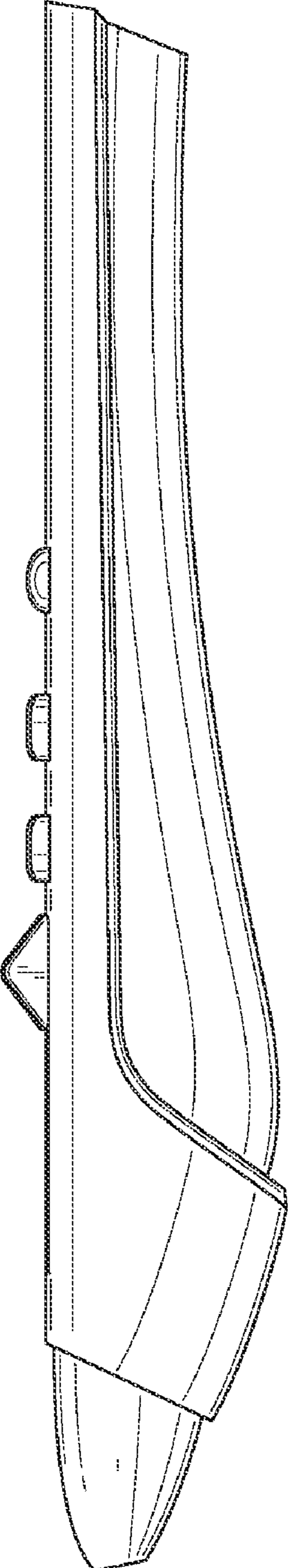


FIG. 5

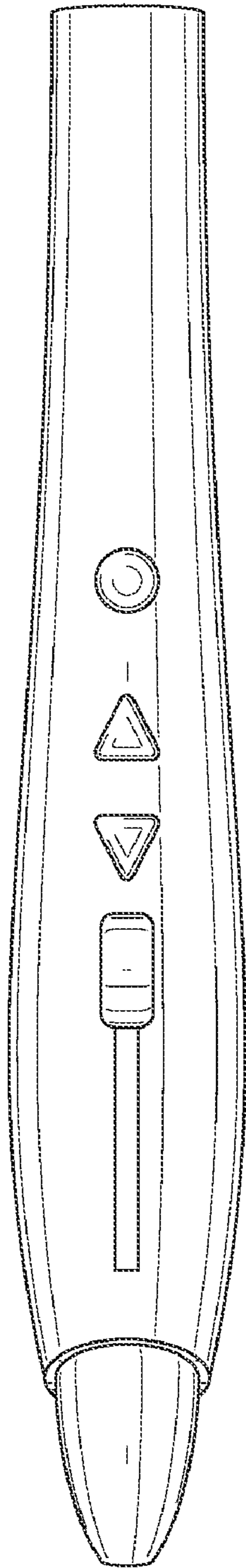


FIG. 6

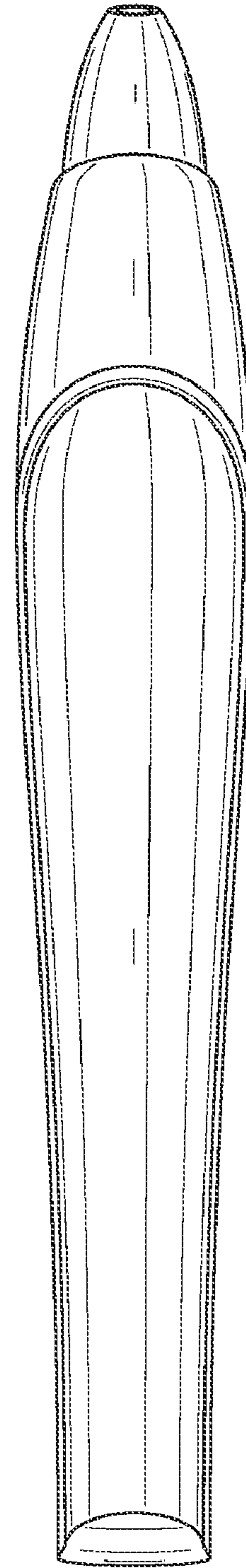


FIG. 7