

US00D664654S

(12) **United States Design Patent**  
**Cuschieri et al.**

(10) **Patent No.:** **US D664,654 S**

(45) **Date of Patent:** **\*\* Jul. 31, 2012**

(54) **ENDOCONE**

(75) Inventors: **Alfred Cuschieri**, St. Andrews Fife (GB); **Martin Oberlander**, Engen (DE); **Michael Sauer**, Tuttlingen (DE); **Sebastian Wagner**, Bretten (DE)

(73) Assignee: **Karl Storz GmbH & Co. KG** (DE)

(\*\*) Term: **14 Years**

(21) Appl. No.: **29/391,999**

(22) Filed: **May 16, 2011**

(30) **Foreign Application Priority Data**

Nov. 15, 2010 (EM) ..... 001781360-0001  
Nov. 15, 2010 (EM) ..... 001781360-0002

(51) **LOC (9) Cl.** ..... **24-02**

(52) **U.S. Cl.** ..... **D24/138; D24/135; D24/140**

(58) **Field of Classification Search** ..... D24/135,  
D24/138, 137, 133, 140; 600/201, 203, 204,  
600/205, 206, 208; 604/93.01, 164.01-164.1,  
604/167.01-167.06, 174, 175  
See application file for complete search history.

(56) **References Cited**

**U.S. PATENT DOCUMENTS**

6,551,270 B1 \* 4/2003 Bimbo et al. .... 604/93.01  
7,344,547 B2 \* 3/2008 Piskun ..... 606/185  
D619,716 S \* 7/2010 Wagner ..... D24/147  
D638,941 S \* 5/2011 Cuschieri ..... D24/147  
2008/0255519 A1 \* 10/2008 Piskun et al. .... 604/174  
2009/0036738 A1 \* 2/2009 Cuschieri et al. .... 600/114  
2009/0227843 A1 \* 9/2009 Smith et al. .... 600/208  
2010/0057121 A1 \* 3/2010 Piskun et al. .... 606/206

2010/0063452 A1 \* 3/2010 Edelman et al. .... 604/175  
2010/0081995 A1 \* 4/2010 Widenhouse et al. ... 604/164.08  
2010/0204548 A1 \* 8/2010 Bonadio et al. .... 600/201  
2010/0228091 A1 \* 9/2010 Widenhouse et al. .... 600/203  
2010/0268035 A1 \* 10/2010 Oberlander et al. .... 600/204

\* cited by examiner

*Primary Examiner* — Bridget L Eland

(74) *Attorney, Agent, or Firm* — St. Onge Steward Johnston & Reens LLC

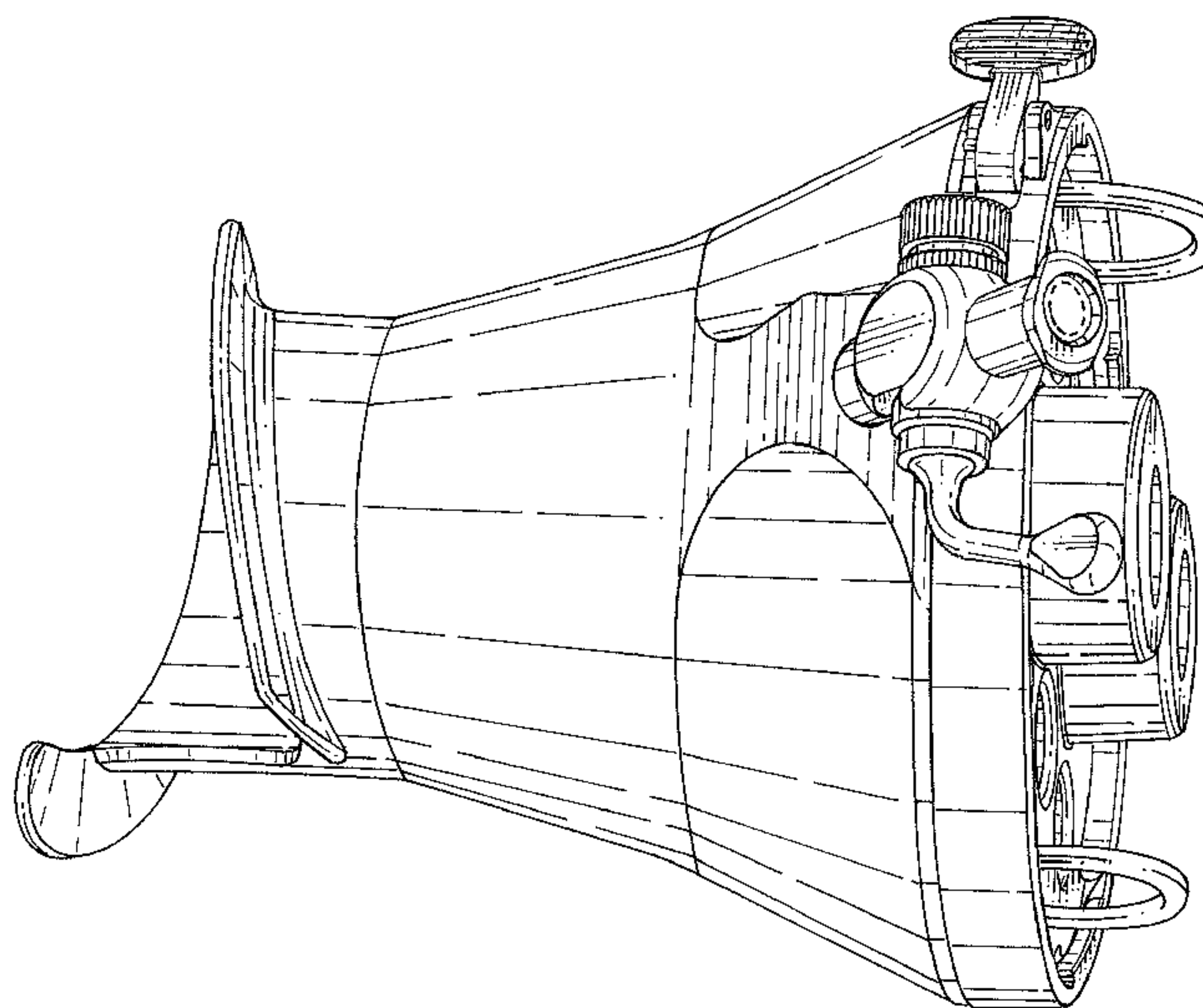
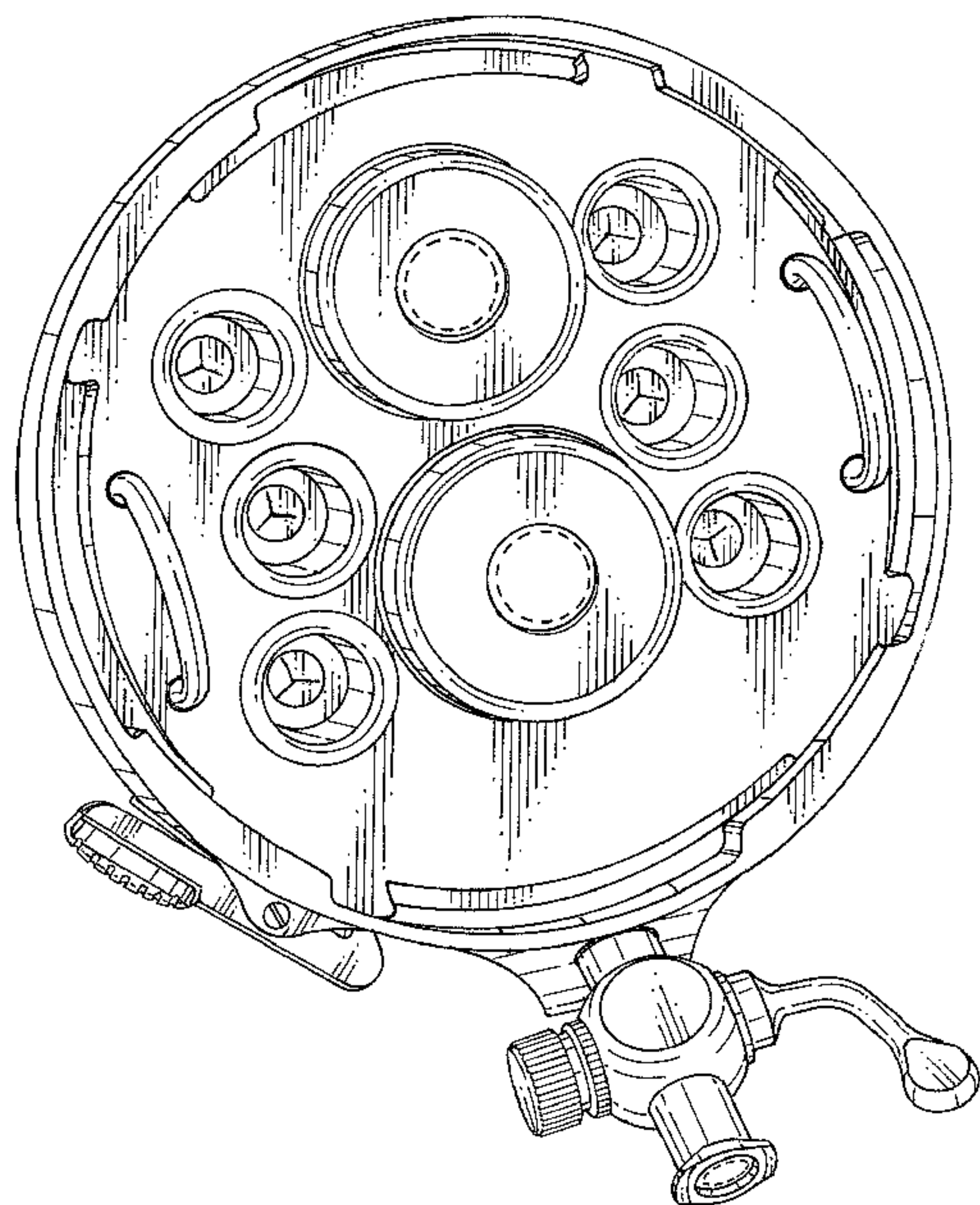
(57) **CLAIM**

The ornamental design for an endocone, as shown and described.

**DESCRIPTION**

FIG. 1 is a front right side isometric view of an endocone in accordance with the new design;  
FIG. 2 is a front isometric view thereof;  
FIG. 3 is a rear isometric view thereof;  
FIG. 4 is a top isometric view thereof;  
FIG. 5 is a left side isometric view thereof;  
FIG. 6 is a bottom isometric view thereof;  
FIG. 7 is a right side isometric view thereof.  
FIG. 8 is an enlarged front isometric view of an attachment piece of the endocone of FIG. 1, with other parts of the endocone omitted for ease of illustration;  
FIG. 9 is a rear isometric view thereof;  
FIG. 10 is a front right side isometric view thereof;  
FIG. 11 is a left isometric view thereof;  
FIG. 12 is a bottom side isometric view thereof;  
FIG. 13 is a right isometric view thereof; and,  
FIG. 14 is a top side isometric view thereof.

**1 Claim, 14 Drawing Sheets**



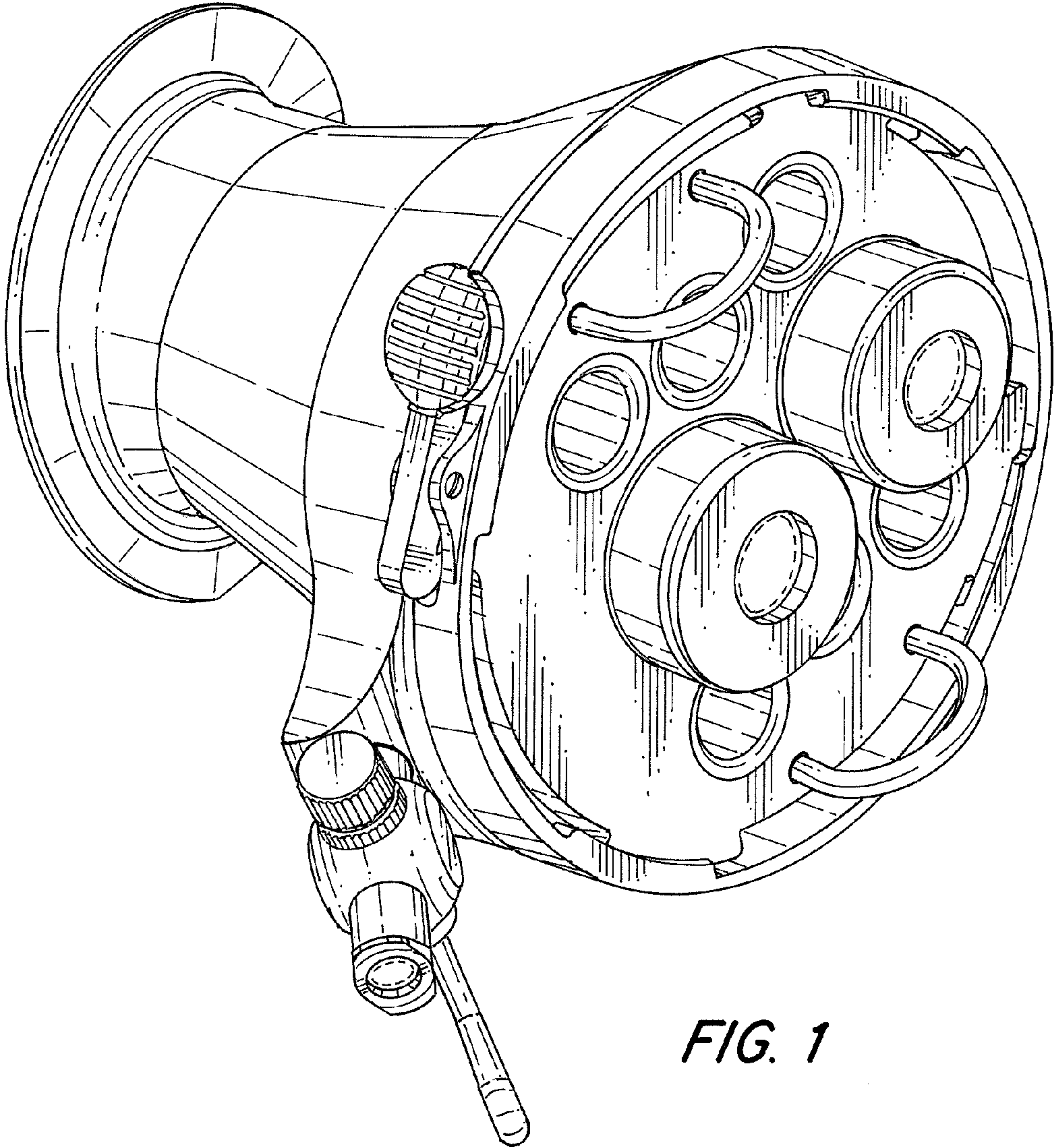
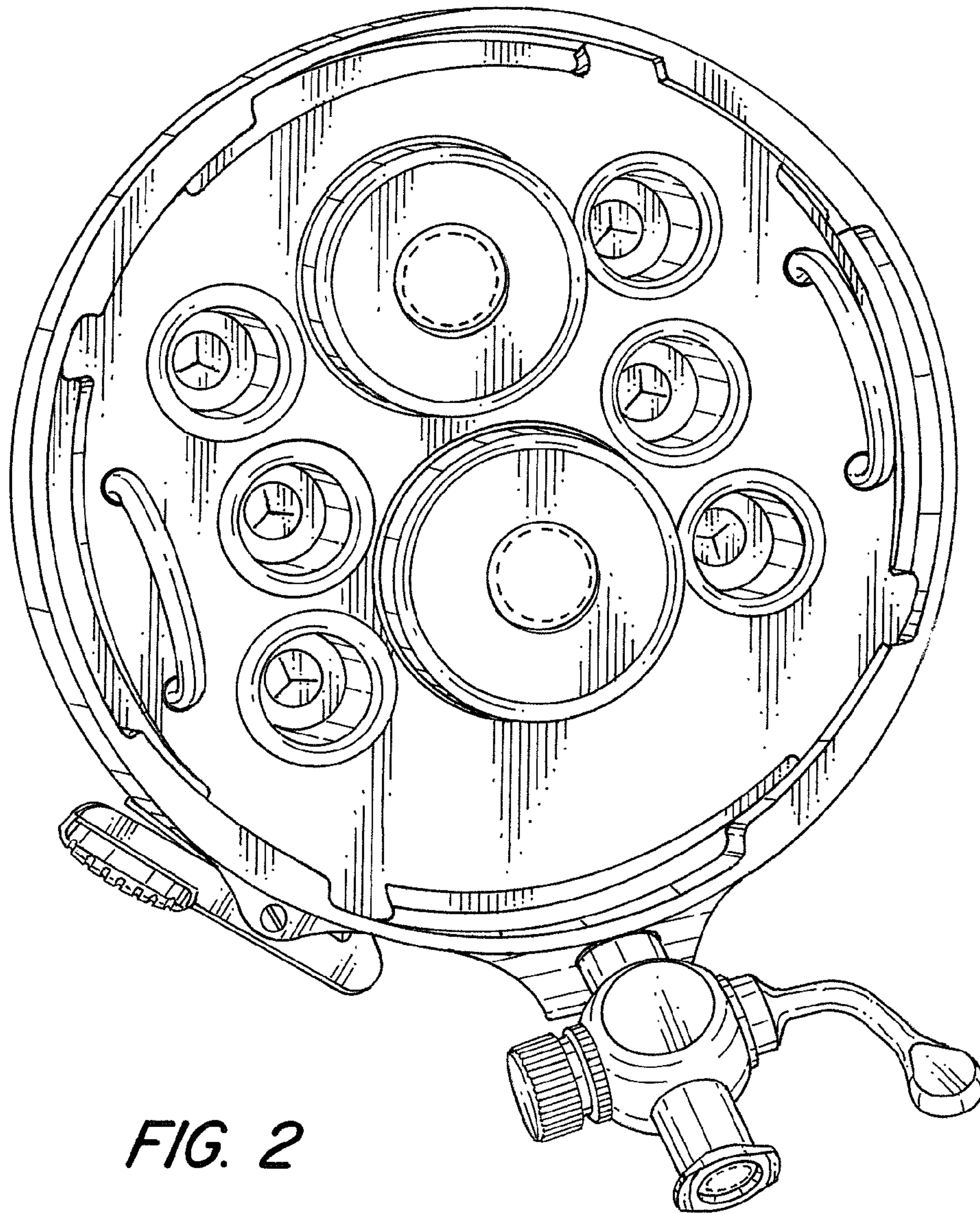
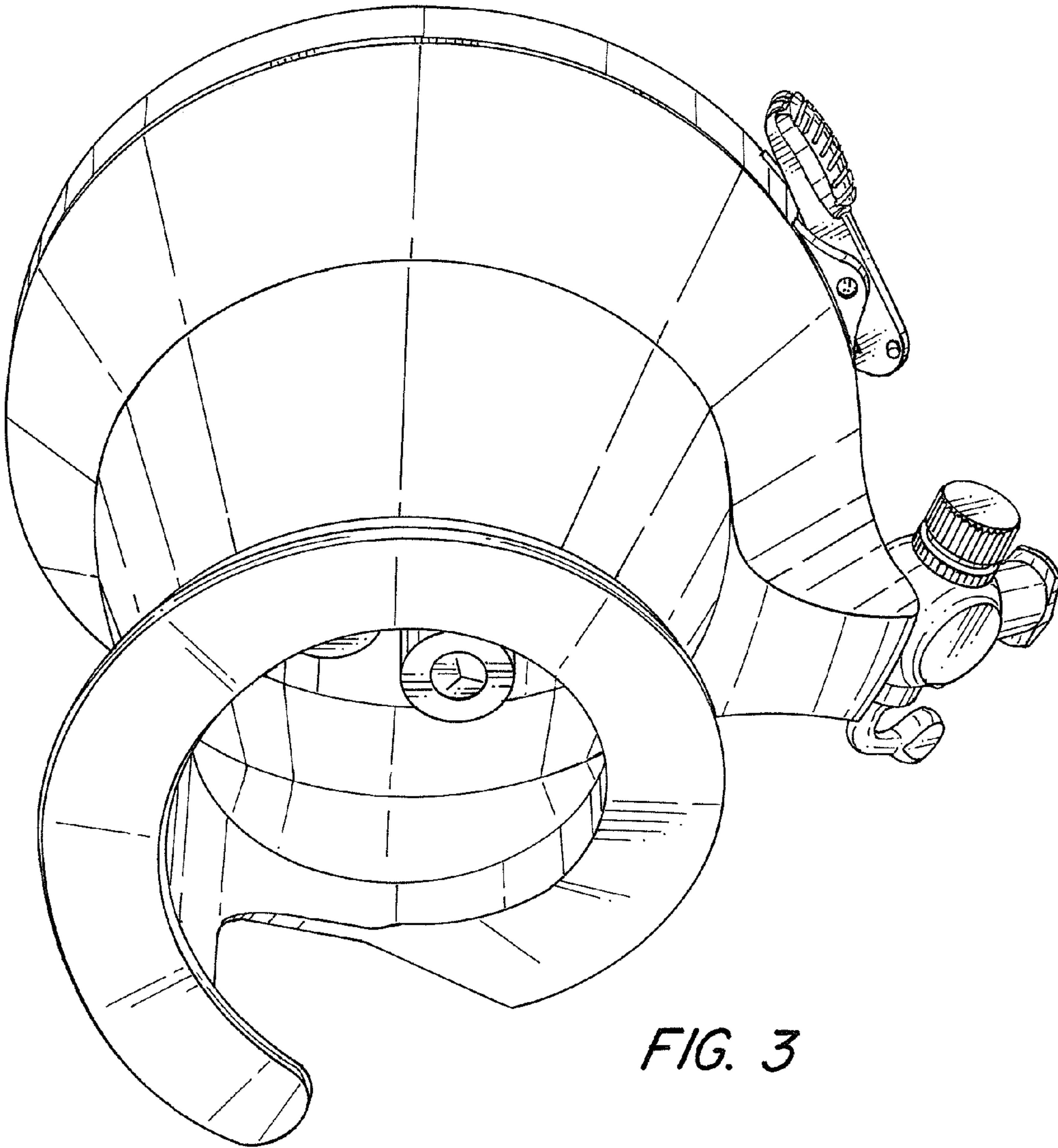


FIG. 1





*FIG. 2*



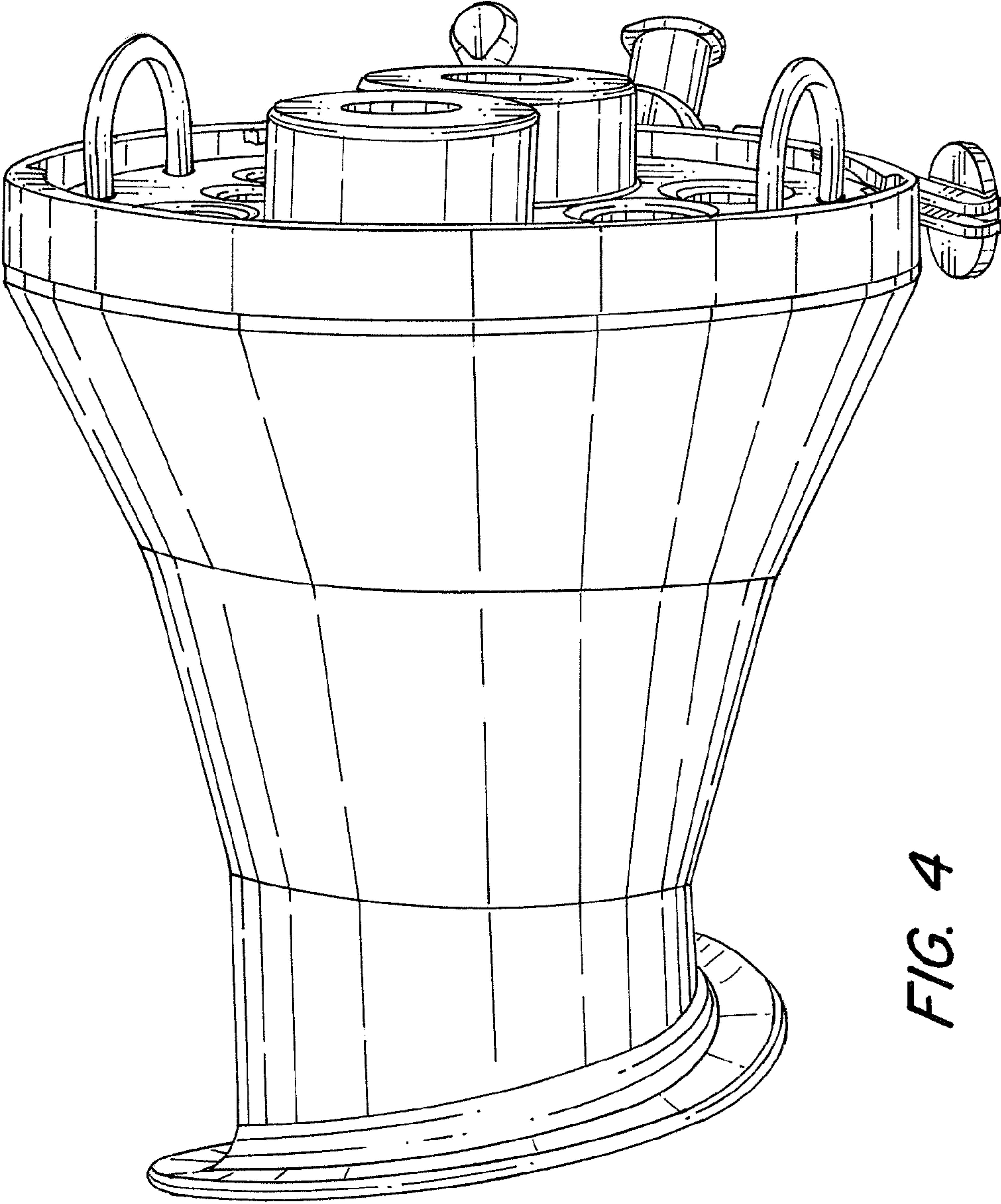


FIG. 4

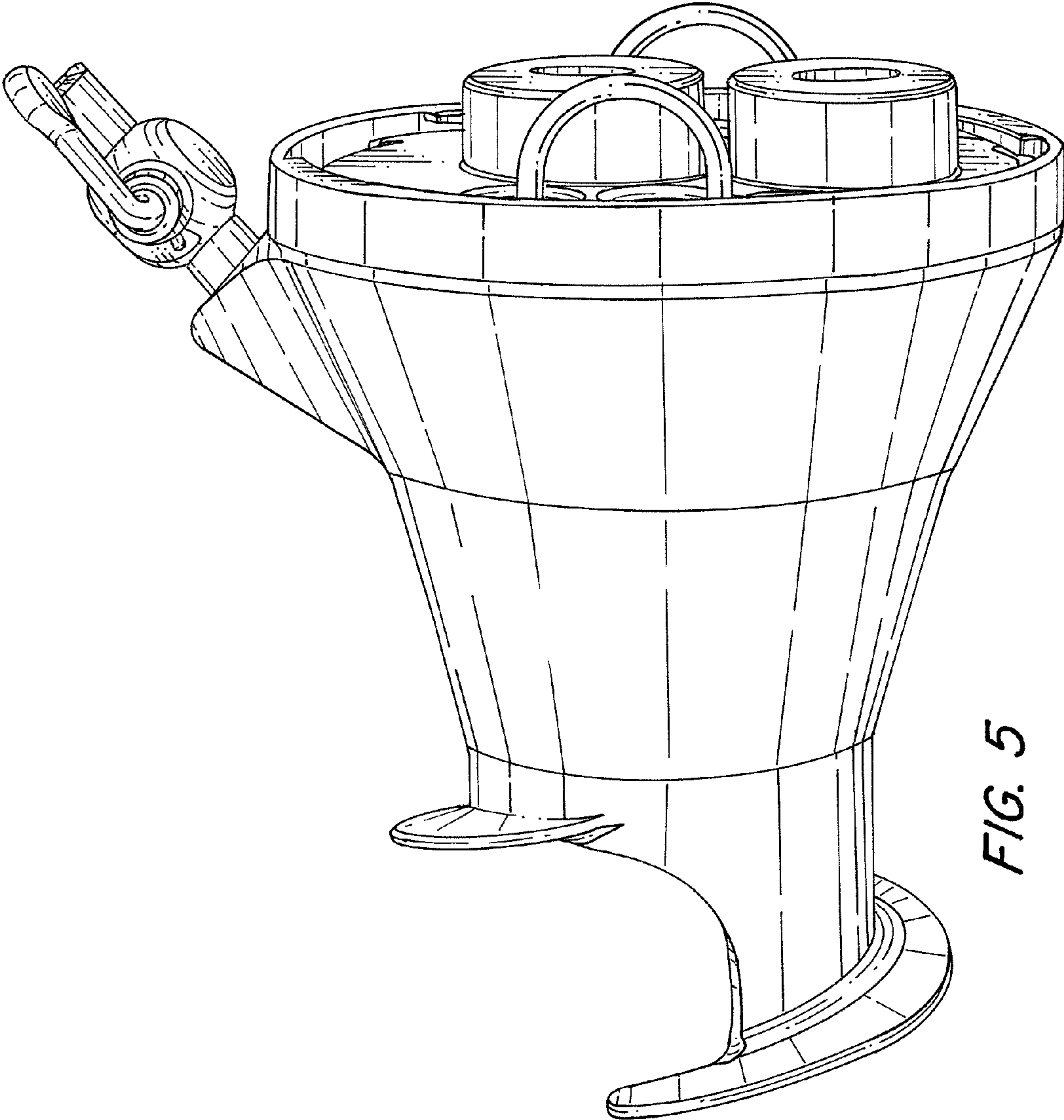


FIG. 5



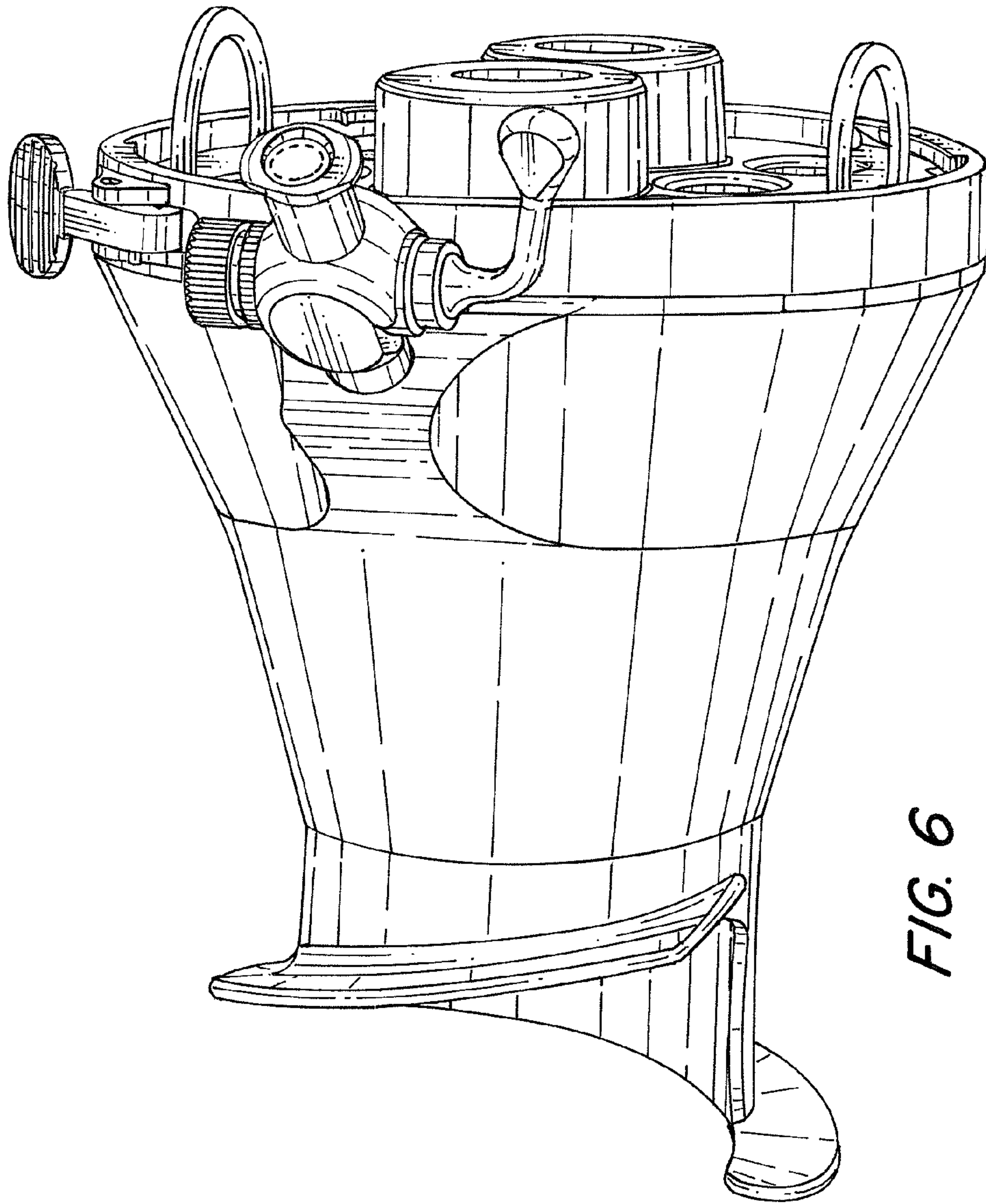


FIG. 6

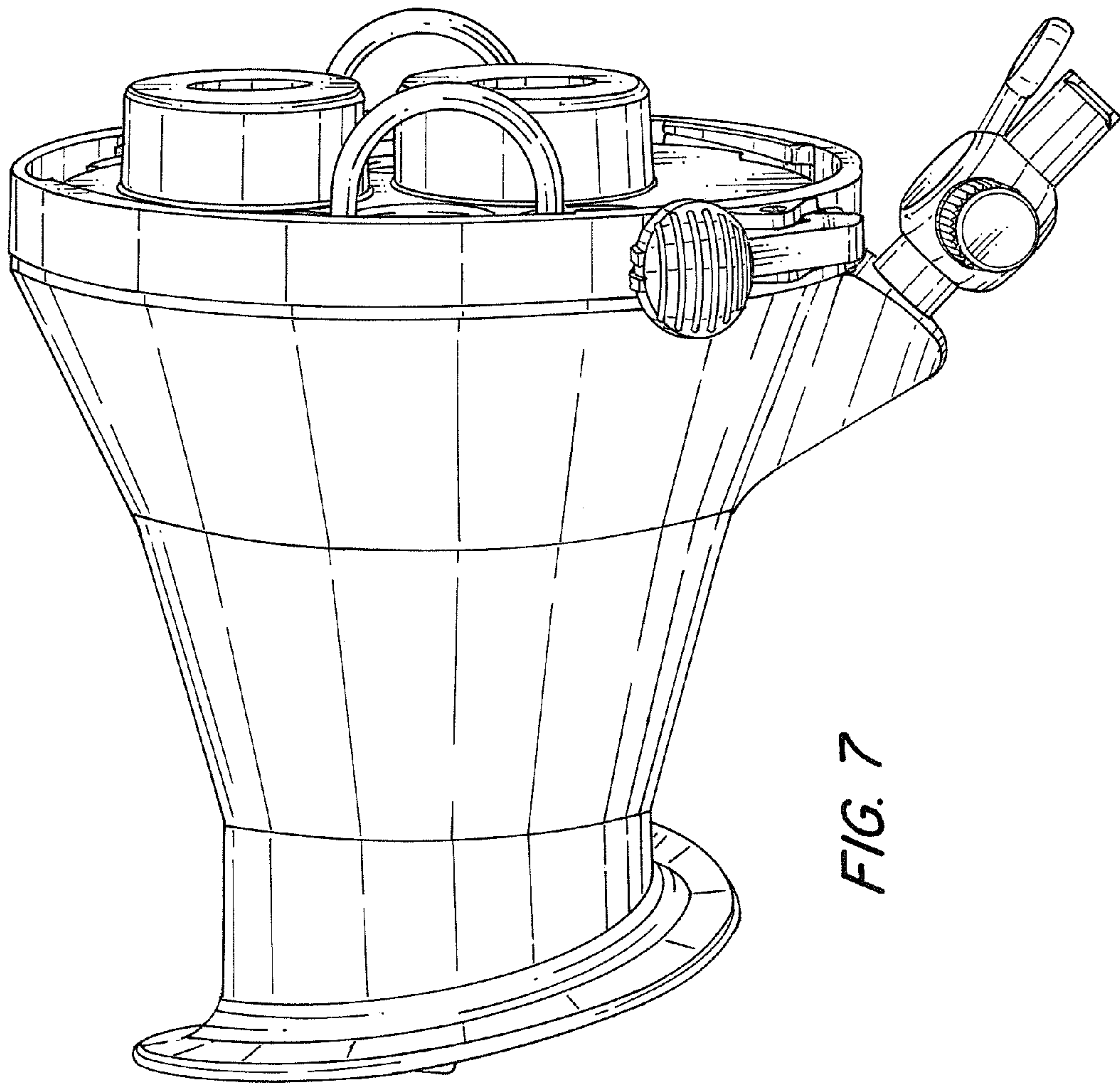


FIG. 7



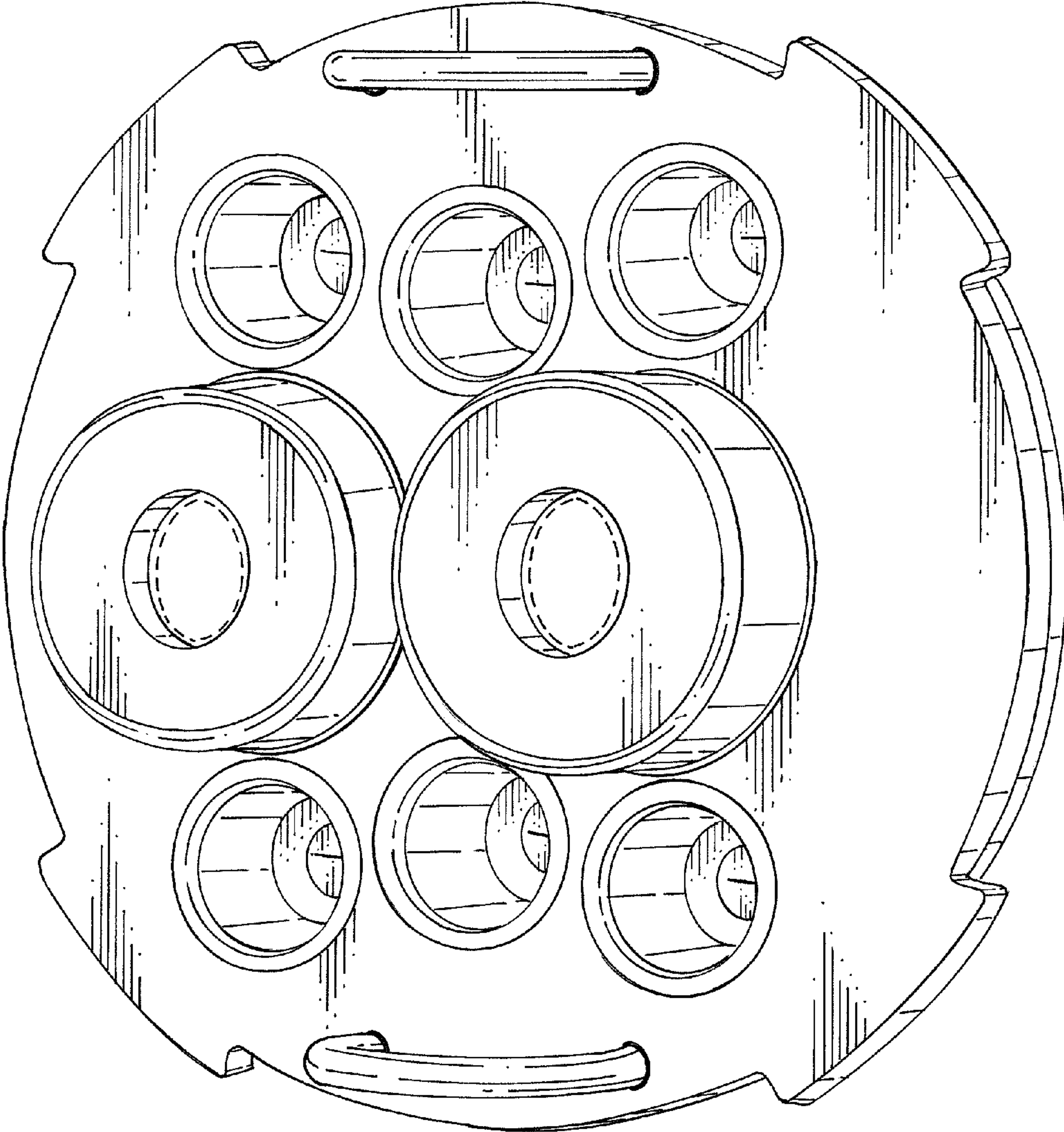


FIG. 8

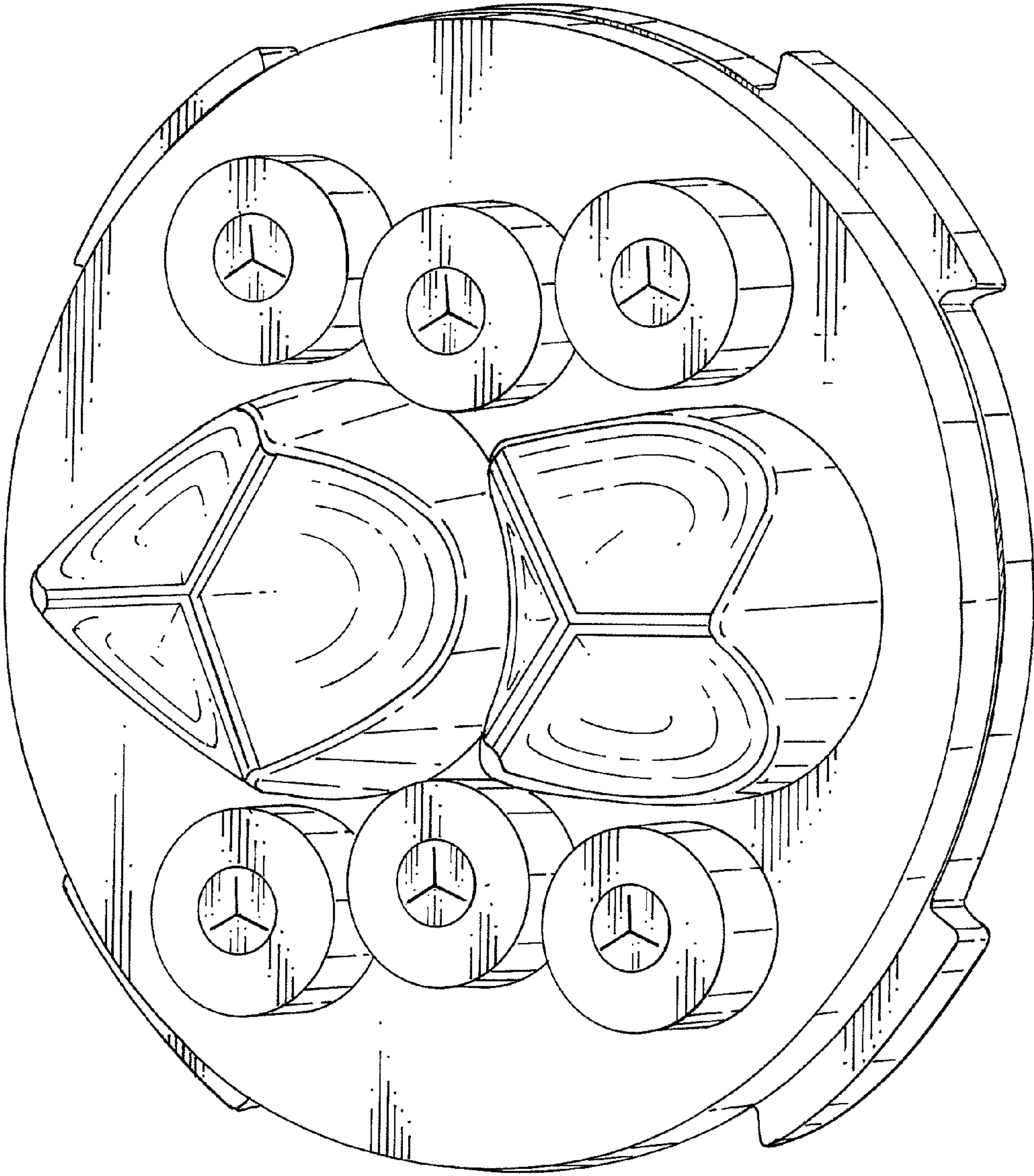


FIG. 9

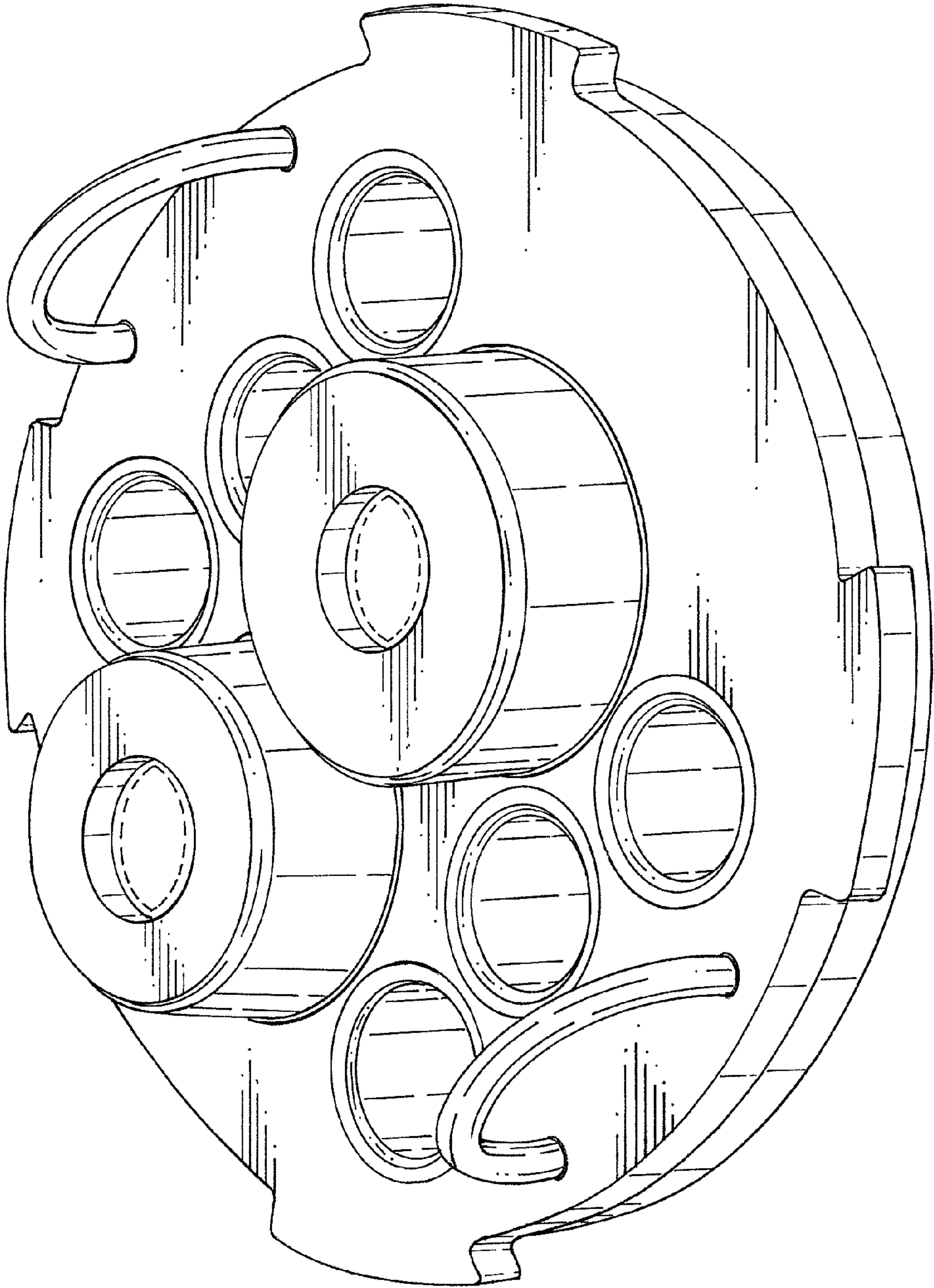
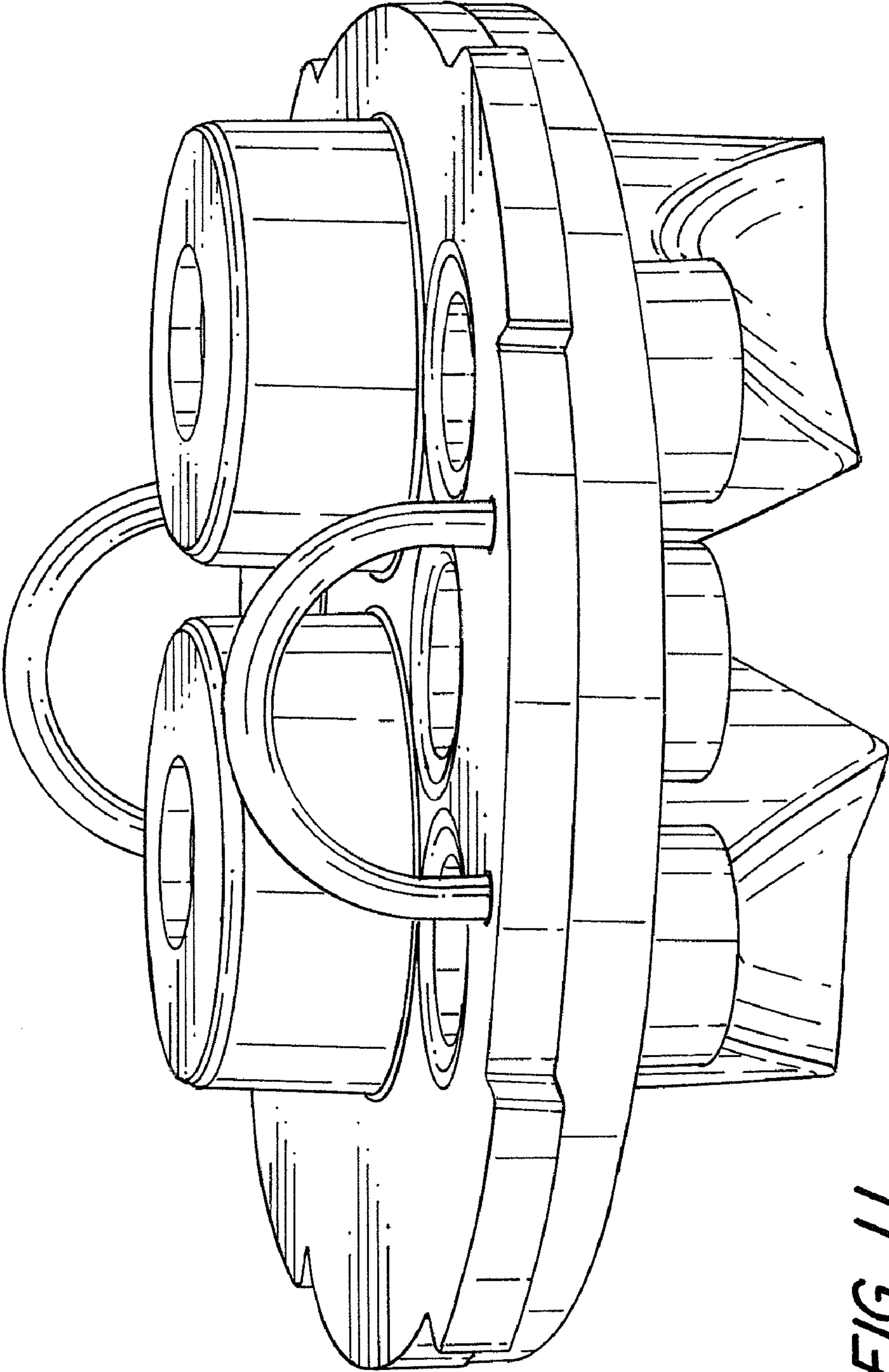
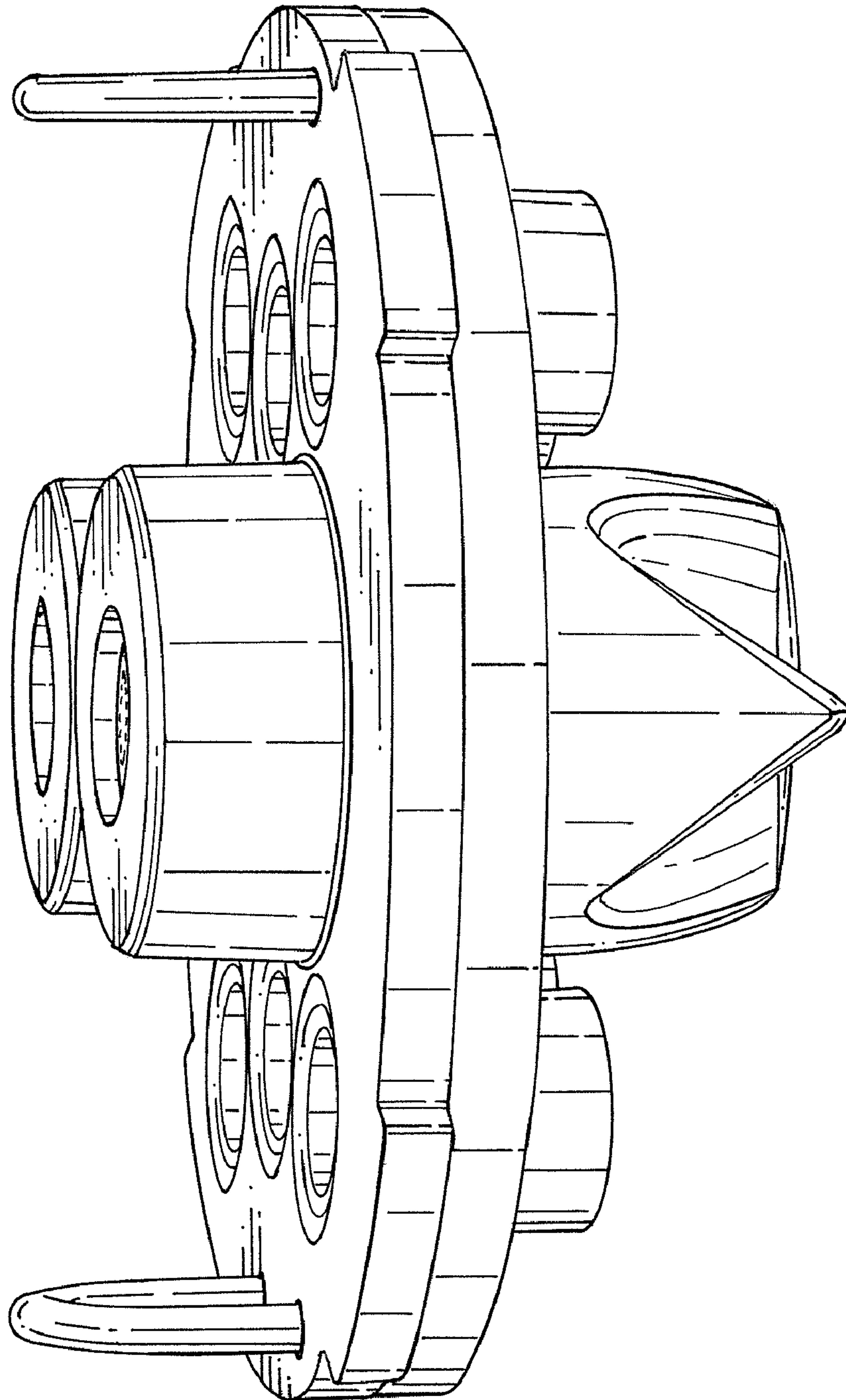


FIG. 10





*FIG. 11*



*FIG. 12*

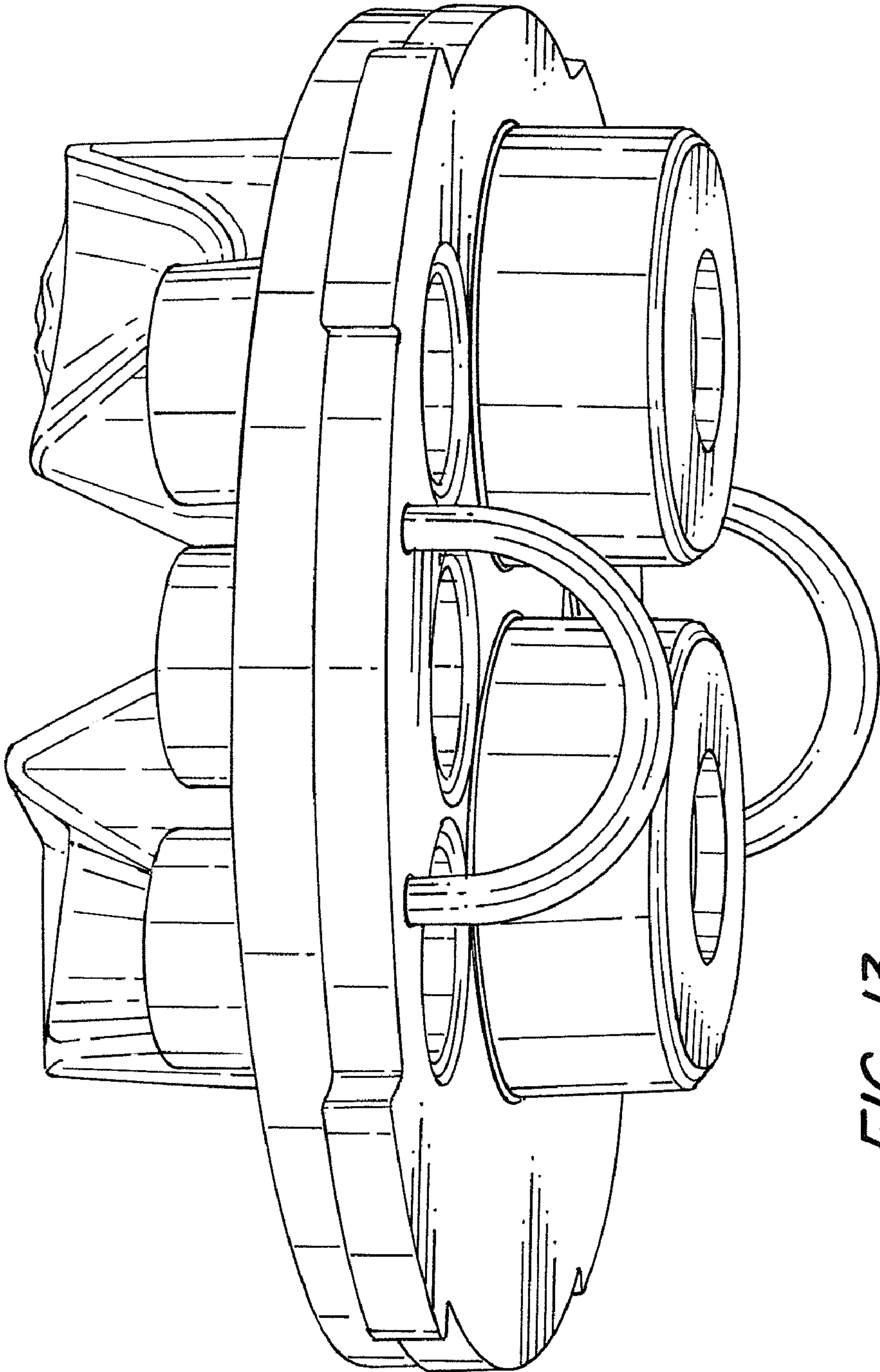
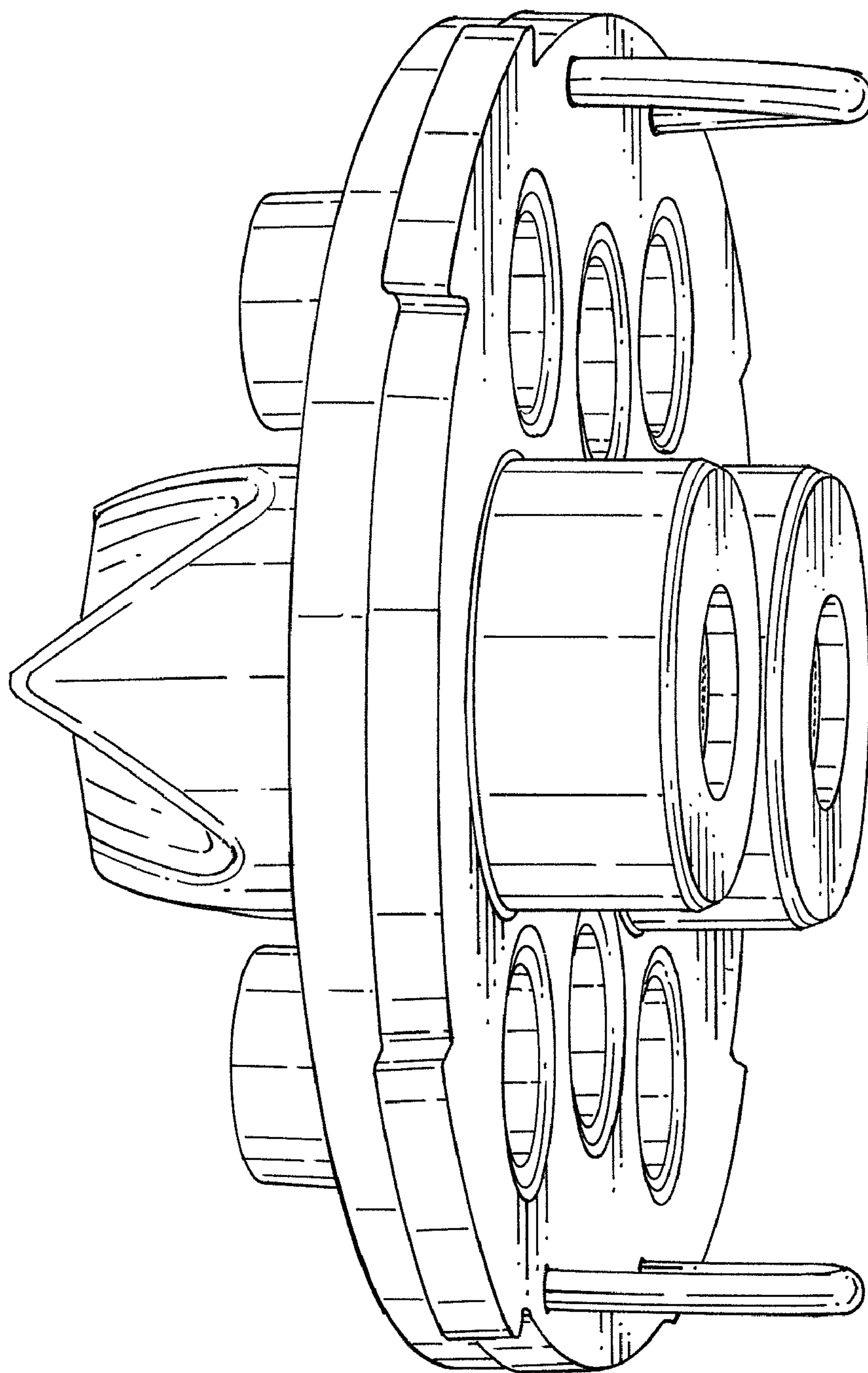


FIG. 13





*FIG. 14*