

US00D664653S

(12) **United States Design Patent**
Doerges

(10) **Patent No.:** **US D664,653 S**
(45) **Date of Patent:** **** Jul. 31, 2012**

(54) **LARYNGOSCOPE**
(75) **Inventor:** **Volker Doerges**, Gross-Groenau (DE)
(73) **Assignee:** **Karl Storz GmbH & Co. KG**,
Tuttlingen (DE)
(**) **Term:** **14 Years**
(21) **Appl. No.:** **29/401,037**
(22) **Filed:** **Sep. 6, 2011**

(30) **Foreign Application Priority Data**
Mar. 3, 2011 (EM) 001830274-0008
(51) **LOC (9) Cl.** **24-02**
(52) **U.S. Cl.** **D24/137**
(58) **Field of Classification Search** D24/133,
D24/135, 136, 137, 138; 600/184-200; 606/196
See application file for complete search history.

(56) **References Cited**
U.S. PATENT DOCUMENTS
D271,135 S * 10/1983 Greenblatt D24/138
6,875,169 B2 * 4/2005 Berci et al. 600/112
D541,937 S * 5/2007 Yee D24/137
D550,841 S * 9/2007 Berci et al. D24/137
D630,739 S * 1/2011 Tenger et al. D24/137
D631,158 S 1/2011 Doerges

D637,716 S * 5/2011 Clarke et al. D24/137
D645,146 S * 9/2011 Lee D24/137
2005/0192481 A1 * 9/2005 Berci et al. 600/188
2006/0004260 A1 * 1/2006 Boedeker et al. 600/188
2008/0249370 A1 * 10/2008 Birnkrant et al. 600/188
2010/0121152 A1 * 5/2010 Boedeker 600/187
2010/0312059 A1 * 12/2010 Mcgrath 600/188

* cited by examiner

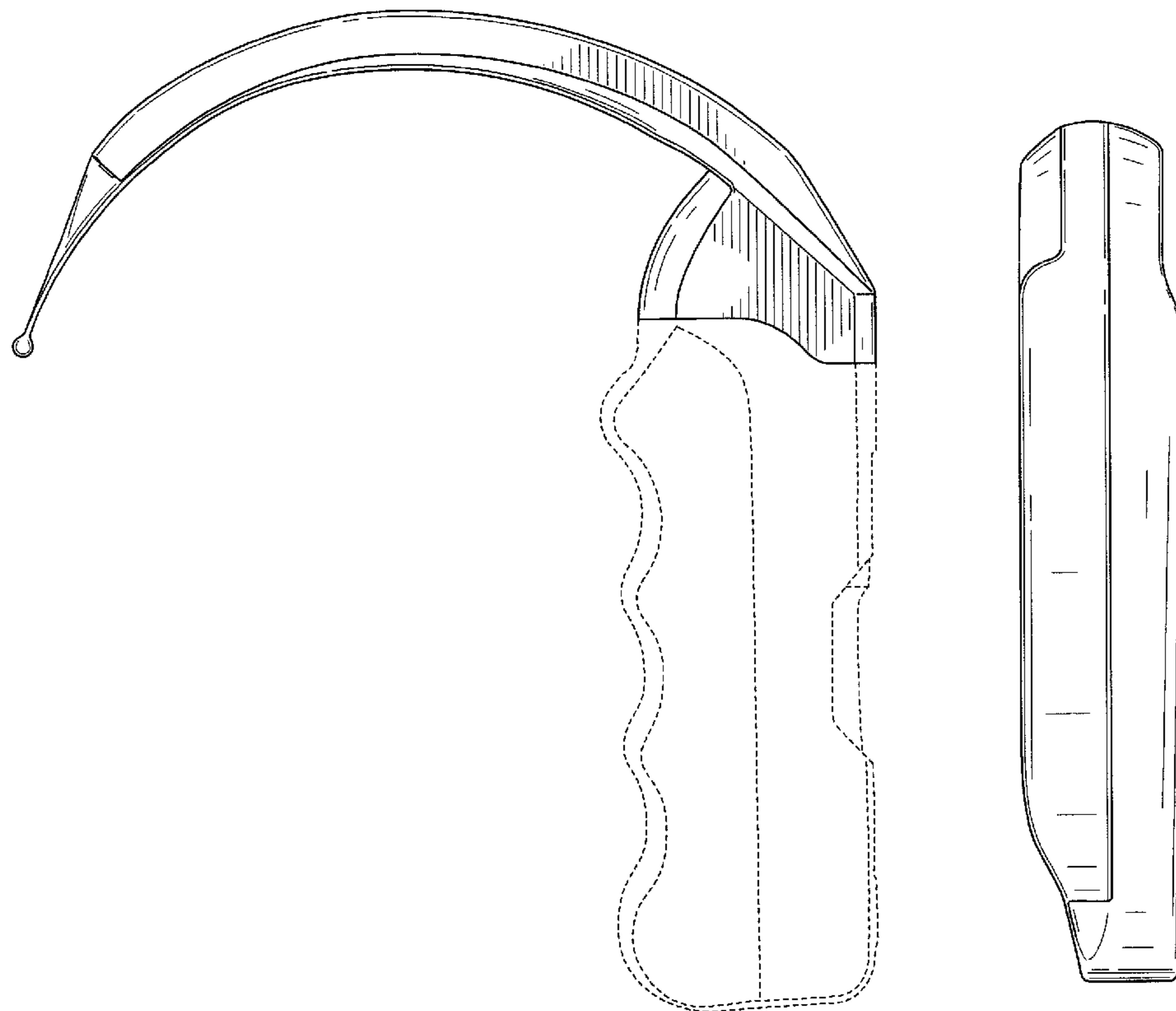
Primary Examiner — Bridget L Eland
(74) *Attorney, Agent, or Firm* — Muncy, Geissler, Olds & Lowe, PLLC

(57) **CLAIM**
The ornamental design for a laryngoscope, as shown and described.

DESCRIPTION

FIG. 1 is a right side elevational view of a laryngoscope according to the invention.
FIG. 2 is a left side elevational view of the laryngoscope of FIG. 1.
FIG. 3 is a front perspective view of the laryngoscope of FIG. 1.
FIG. 4 is a top plan view of the laryngoscope of FIG. 1; and, FIG. 5 is a three quarter view of the laryngoscope of FIG. 1. The dashed lines illustrate environment that does not form a part of the present invention, and no claim is made to the material illustrated with dashed lines.

1 Claim, 5 Drawing Sheets



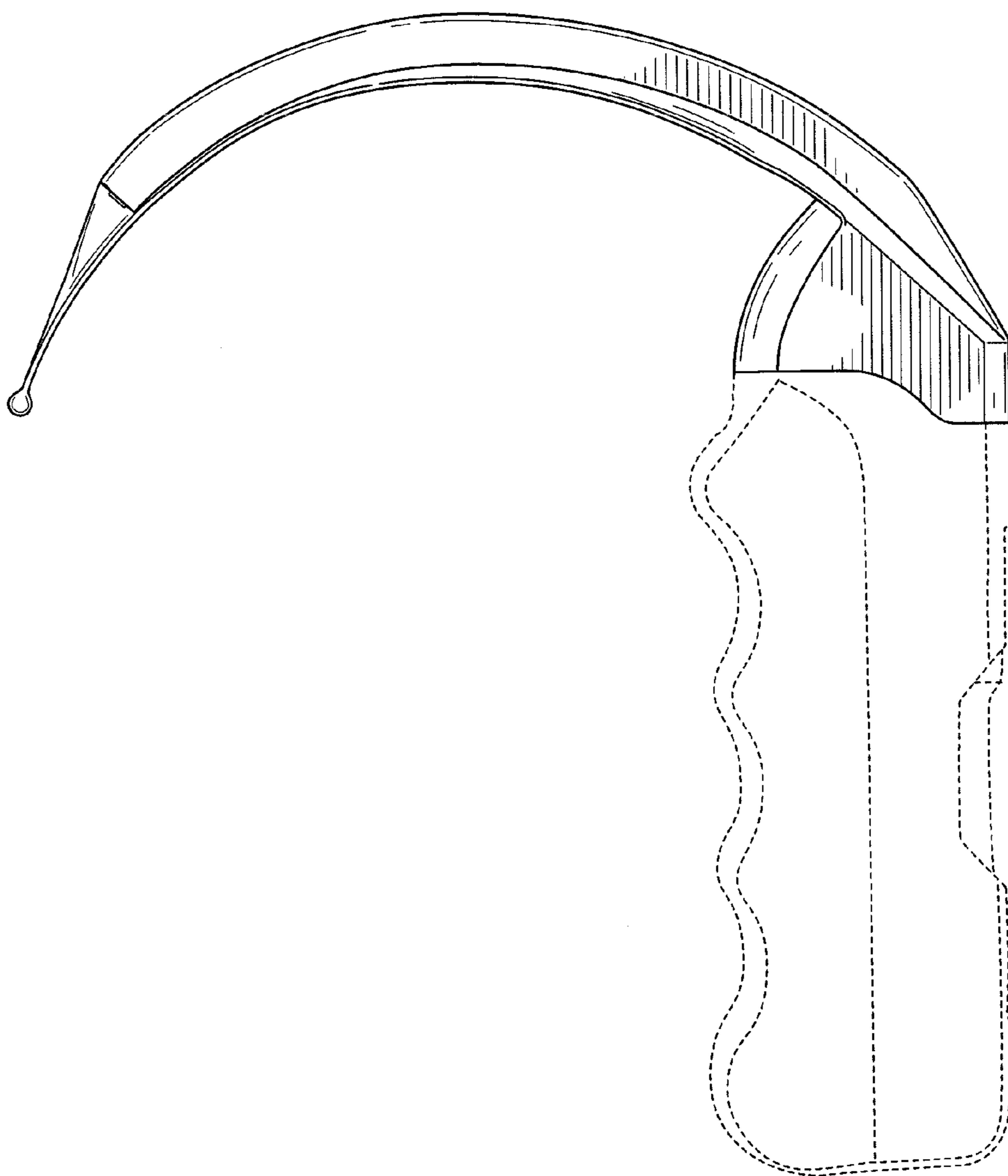


FIG. 1

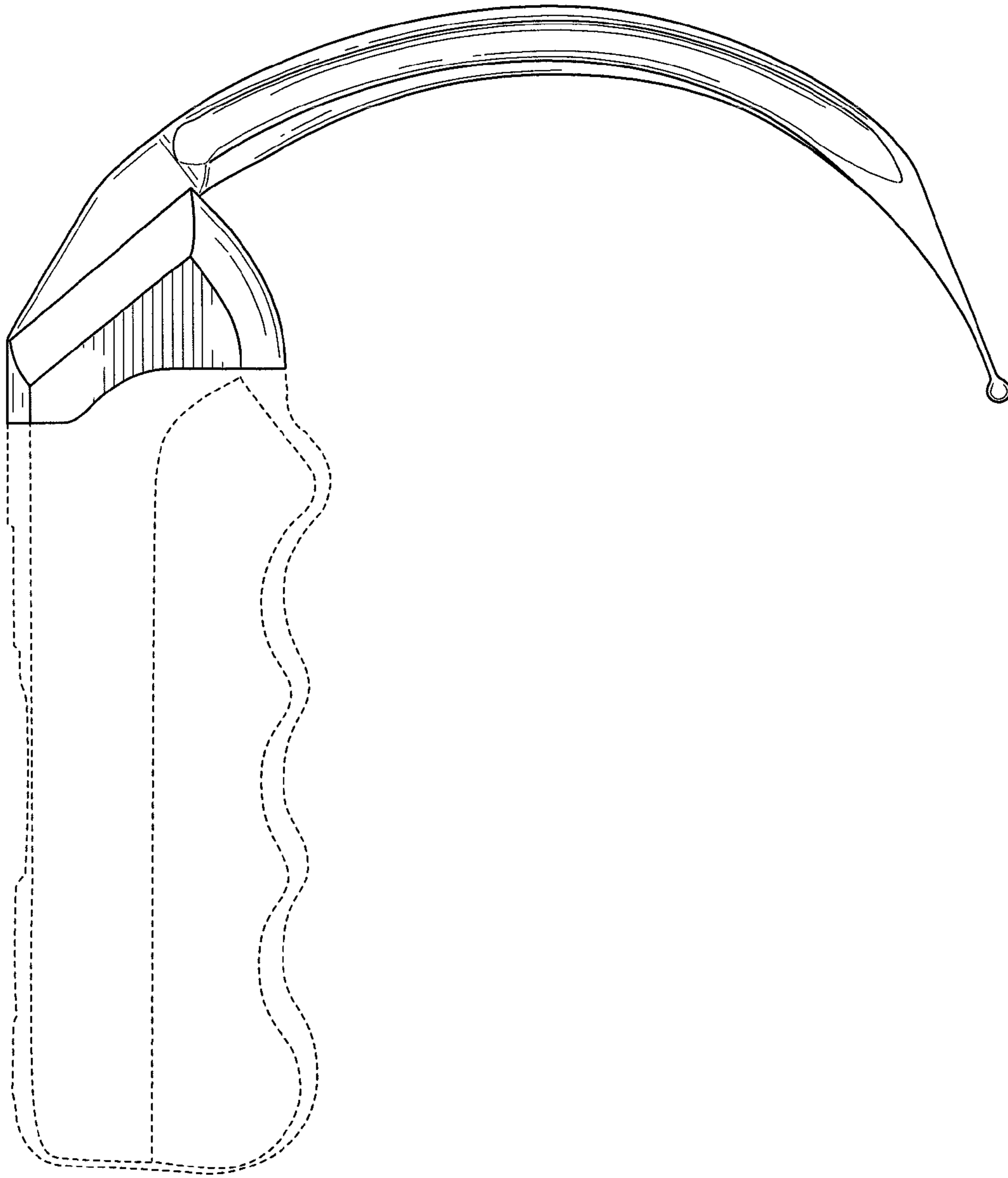


FIG. 2

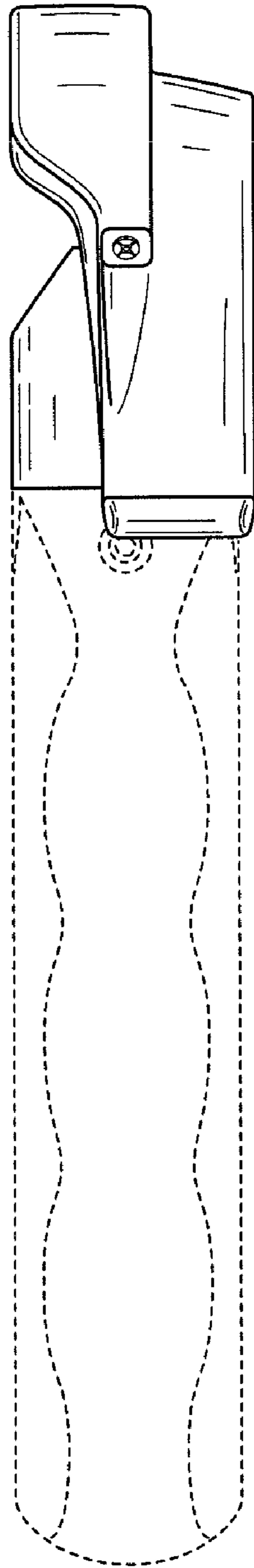


FIG. 3

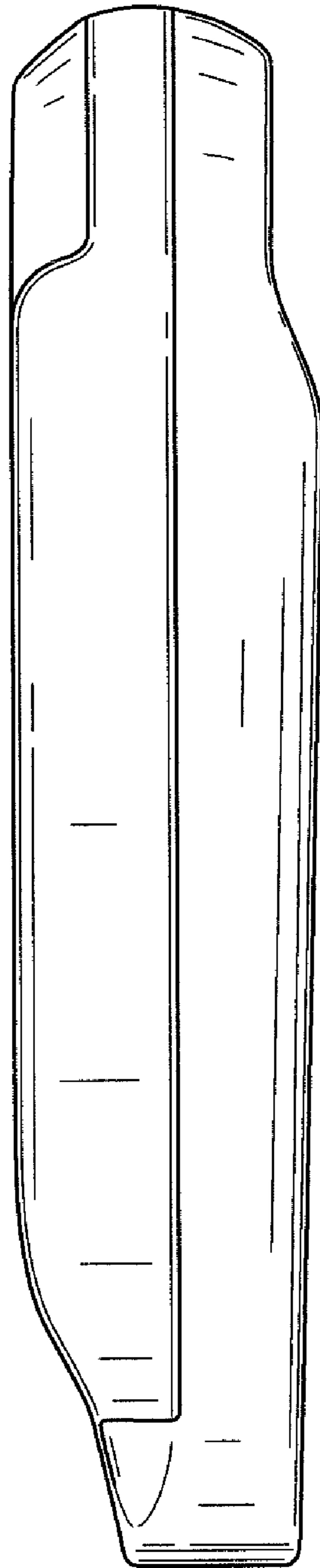


FIG. 4

