

US00D664652S

(12) **United States Design Patent**
Hermle

(10) **Patent No.:** **US D664,652 S**
(45) **Date of Patent:** **** Jul. 31, 2012**

(54) **atrium retractor**

(75) Inventor: **Rainer Hermle**, Gosheim (DE)

(73) Assignee: **Karl Storz GmbH & Co. KG** (DE)

(**) Term: **14 Years**

(21) Appl. No.: **29/394,975**

(22) Filed: **Jun. 23, 2011**

(30) **Foreign Application Priority Data**

Dec. 23, 2010 (EM) 001798331-0005

(51) **LOC (9) Cl.** **24-02**

(52) **U.S. Cl.** **D24/135**

(58) **Field of Classification Search** D24/135;
128/846; 600/201, 208

See application file for complete search history.

(56) **References Cited**

U.S. PATENT DOCUMENTS

5,125,396	A *	6/1992	Ray	600/208
5,613,937	A *	3/1997	Garrison et al.	600/201
5,906,577	A *	5/1999	Beane et al.	600/207
6,048,309	A *	4/2000	Flom et al.	600/234
6,162,172	A *	12/2000	Cosgrove et al.	600/208
6,482,152	B2 *	11/2002	Kim	600/210
2001/0037053	A1 *	11/2001	Bonadio et al.	600/208
2002/0010389	A1 *	1/2002	Butler et al.	600/208
2003/0176771	A1 *	9/2003	Pulford et al.	600/208
2004/0230100	A1 *	11/2004	Shluzas	600/208
2005/0159650	A1 *	7/2005	Raymond et al.	600/201
2005/0203346	A1 *	9/2005	Bonadio et al.	600/208

2006/0247498	A1 *	11/2006	Bonadio et al.	600/208
2007/0038032	A1 *	2/2007	De Canniere et al.	600/210
2007/0088204	A1 *	4/2007	Albrecht et al.	600/208
2009/0093684	A1 *	4/2009	Schorer	600/210
2011/0021879	A1 *	1/2011	Hart et al.	600/207
2011/0137128	A1 *	6/2011	Poo et al.	600/206
2011/0251461	A1 *	10/2011	Gomez Gonzalez et al.	600/201

OTHER PUBLICATIONS

Geister Brochure; ValveGate—Minimally Invasive Valve Surgery; 8 pages (specifically p. 6); Geister 2009.

* cited by examiner

Primary Examiner — Bridget L Eland

(74) *Attorney, Agent, or Firm* — St. Onge Steward Johnston & Reens LLC

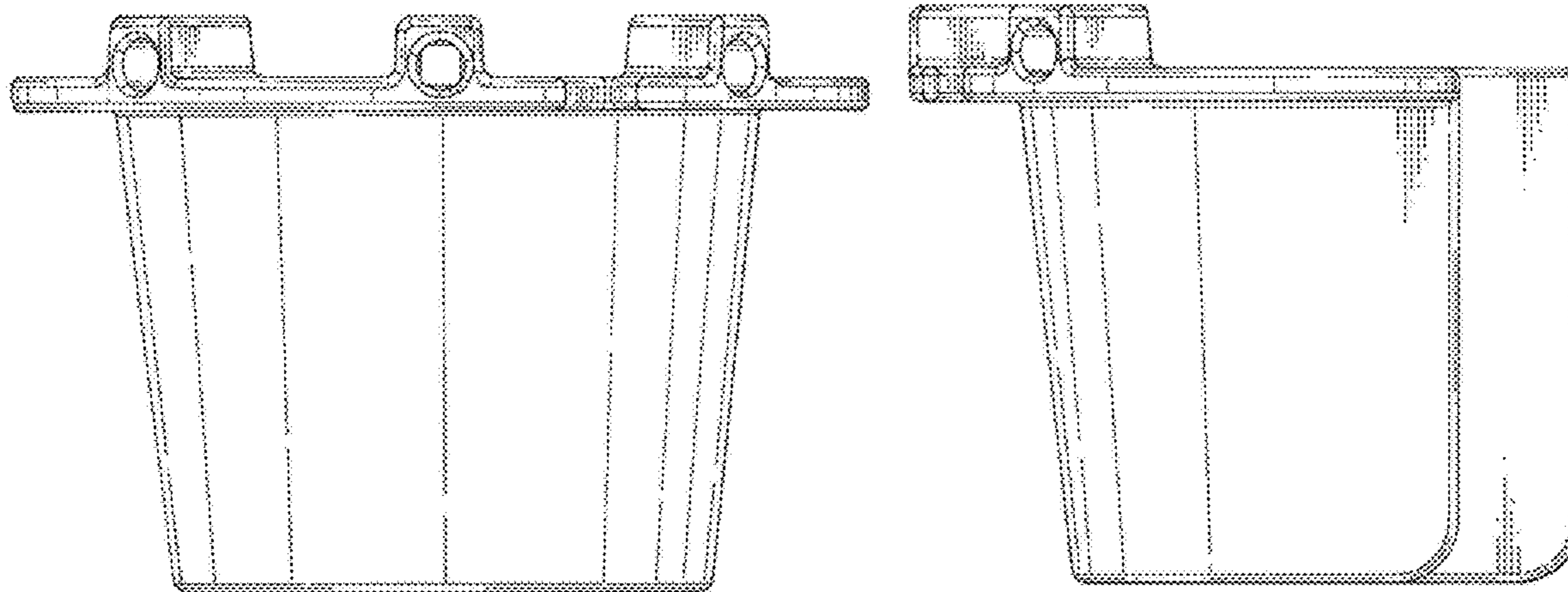
(57) **CLAIM**

The ornamental design for an atrium retractor, as shown and described.

DESCRIPTION

FIG. 1 is a front perspective view of an atrium retractor in accordance with the new design;
FIG. 2 is a front elevation view thereof;
FIG. 3 is a rear elevation view thereof;
FIG. 4 is a right side elevation view thereof;
FIG. 5 is a left side elevation view thereof;
FIG. 6 is a top plan view thereof; and,
FIG. 7 is a bottom plan view thereof.

1 Claim, 7 Drawing Sheets



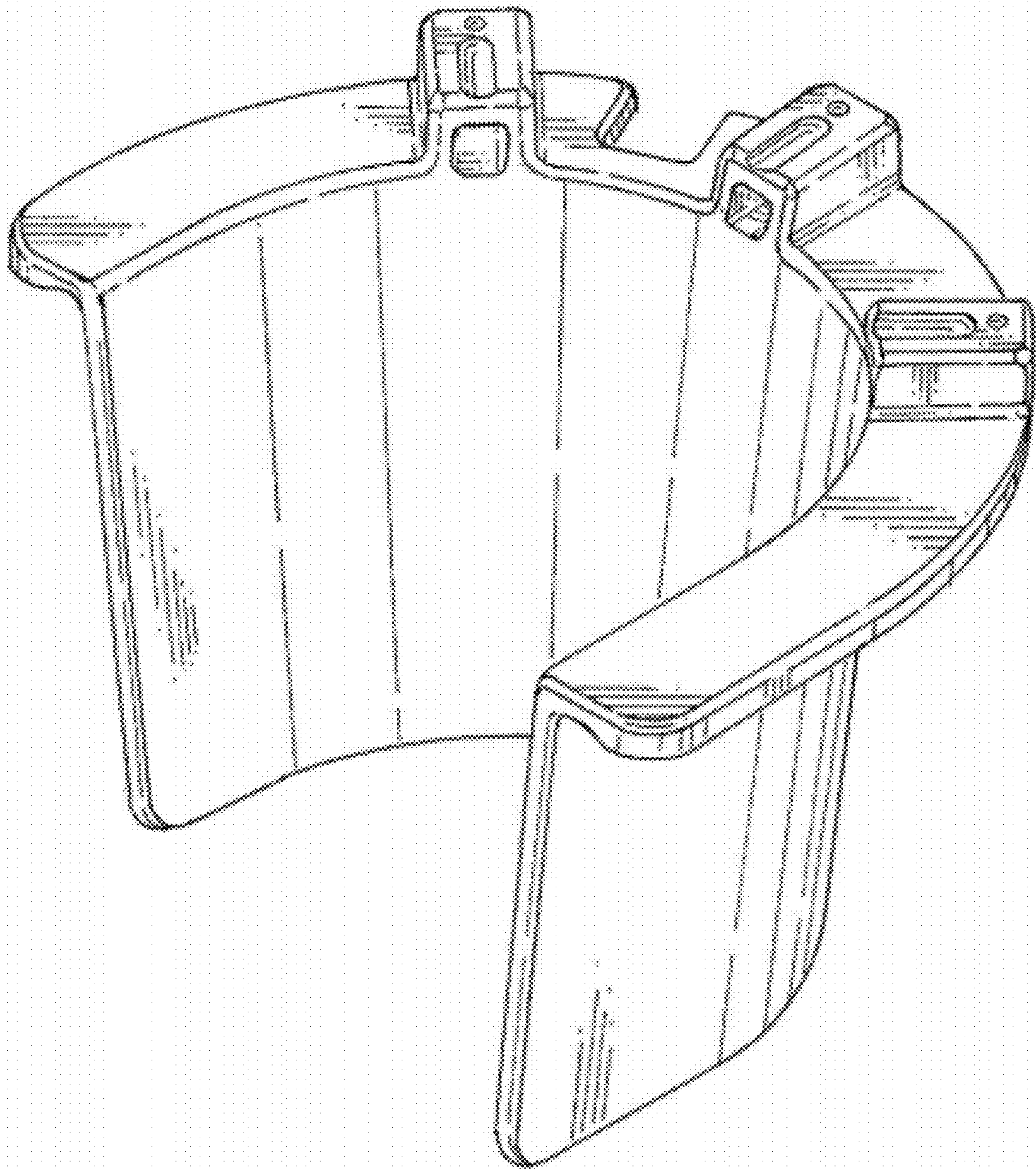


FIG. 1

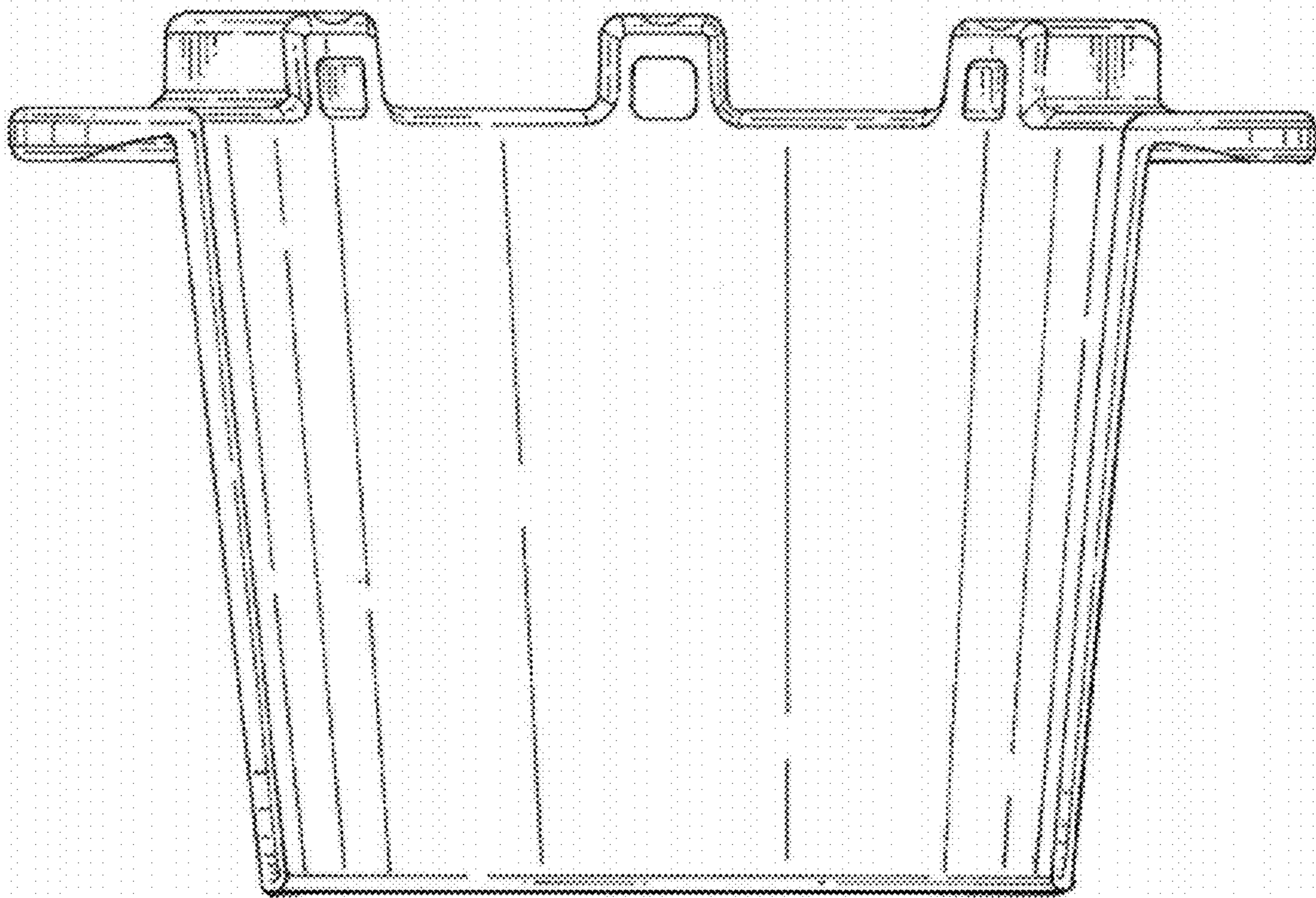


FIG. 2

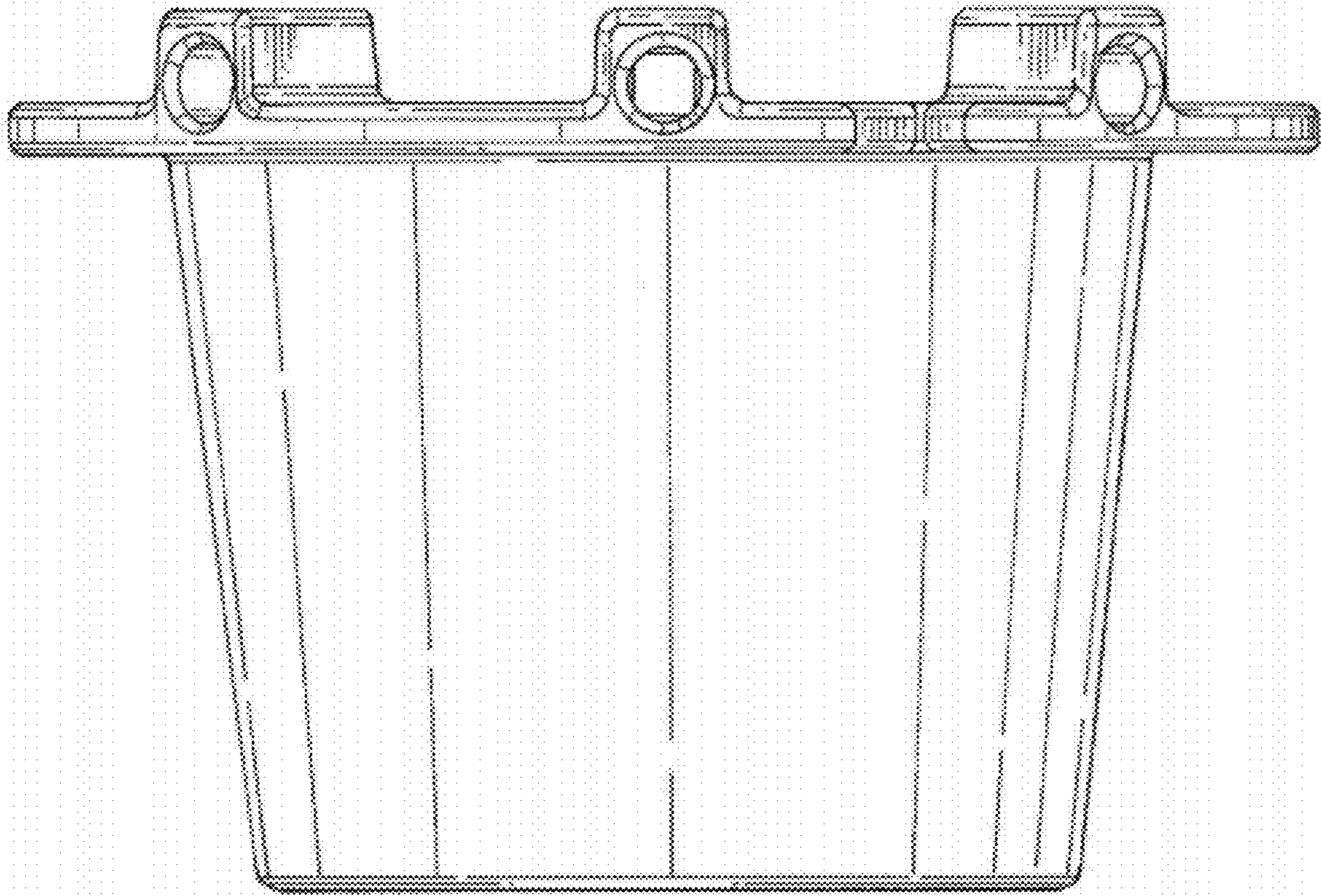


FIG. 3

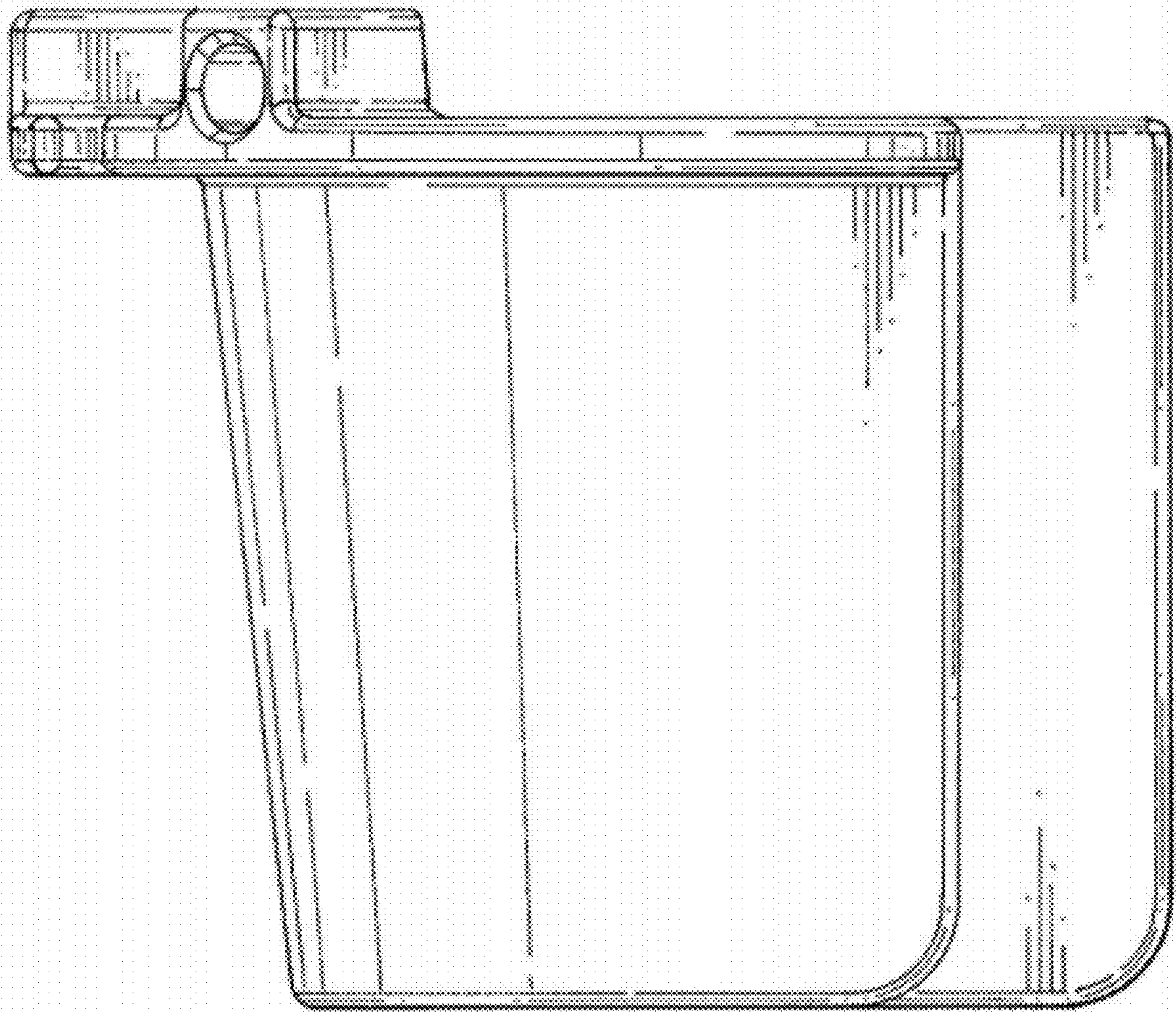


FIG. 4

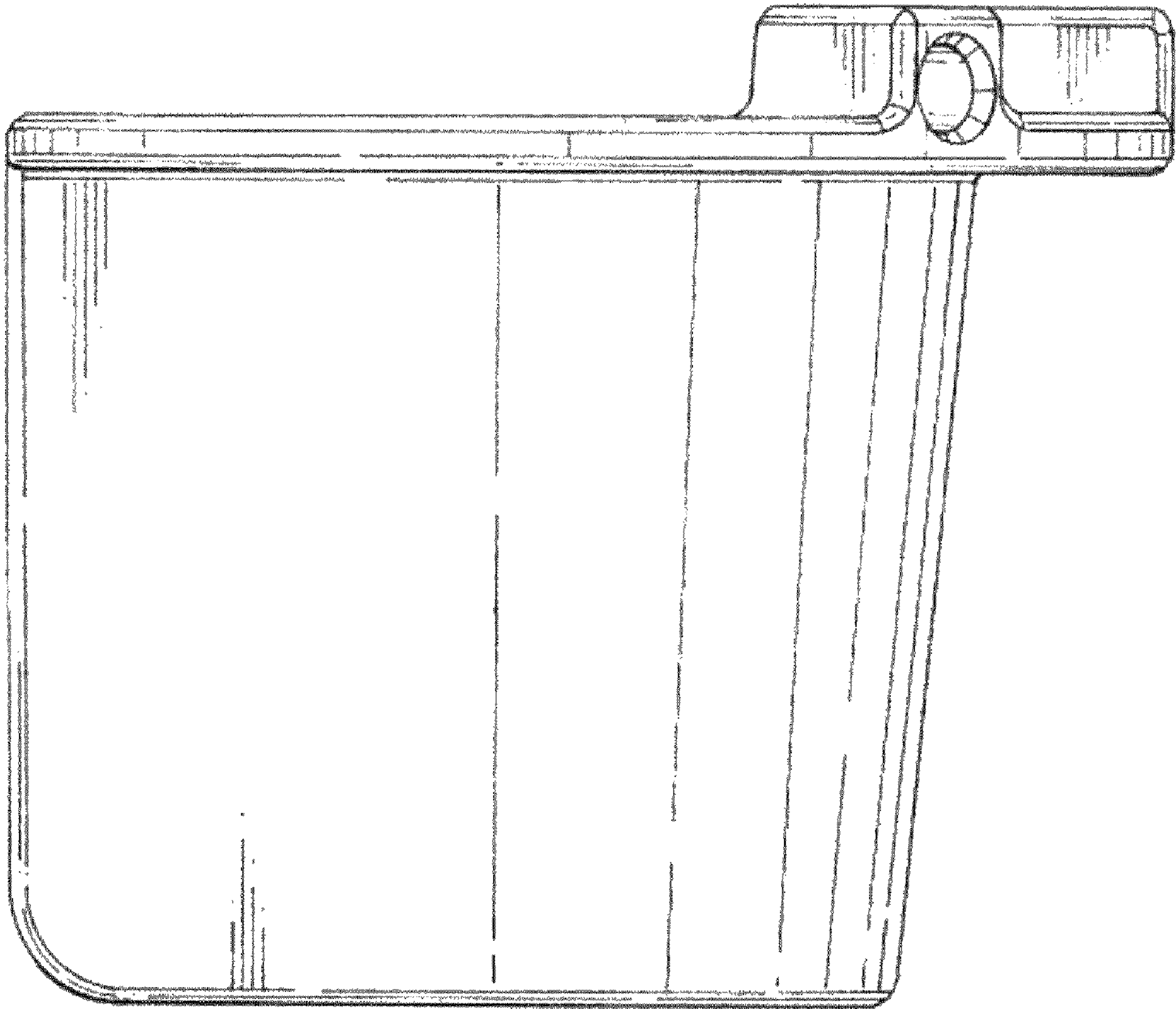


FIG. 5

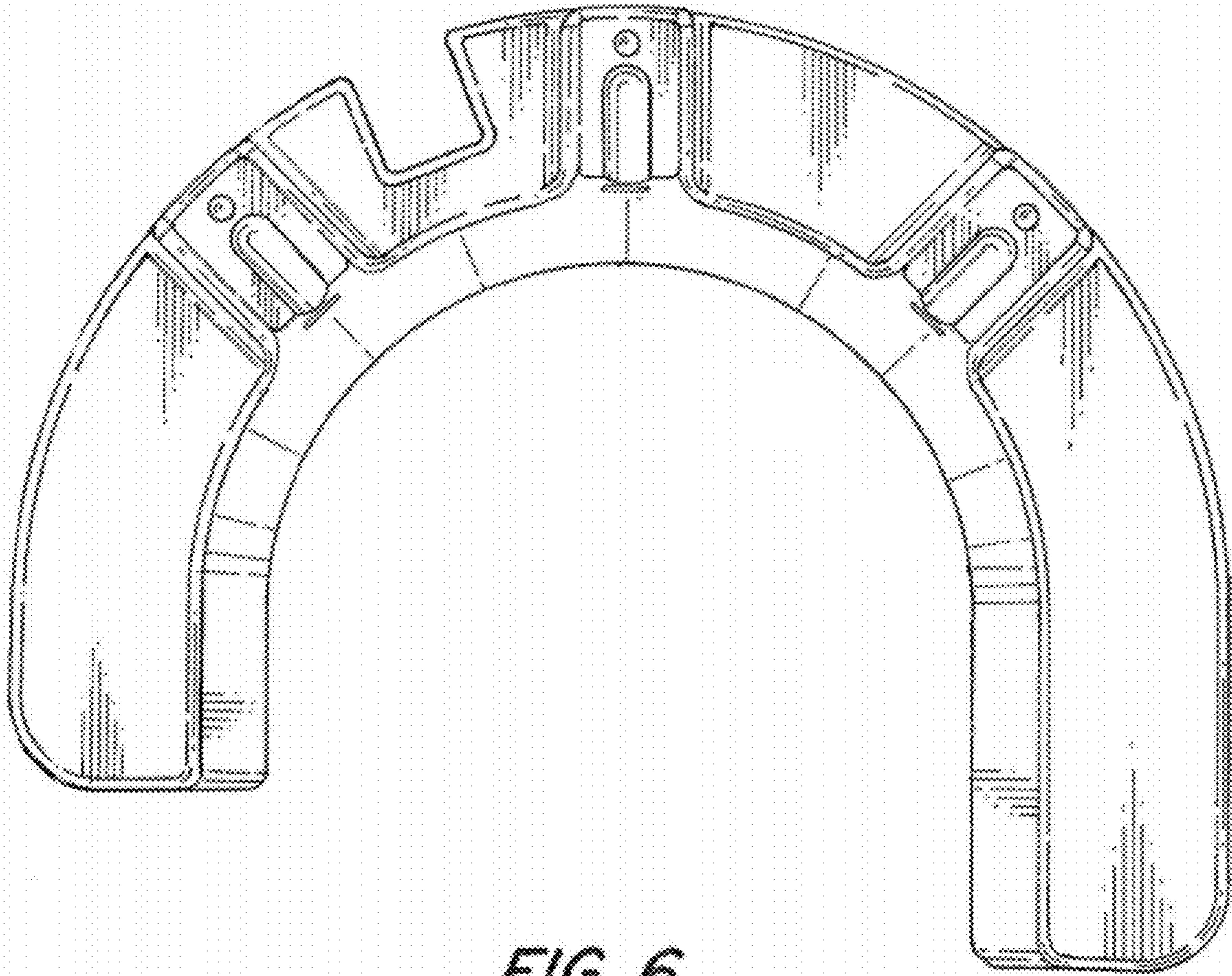


FIG. 6

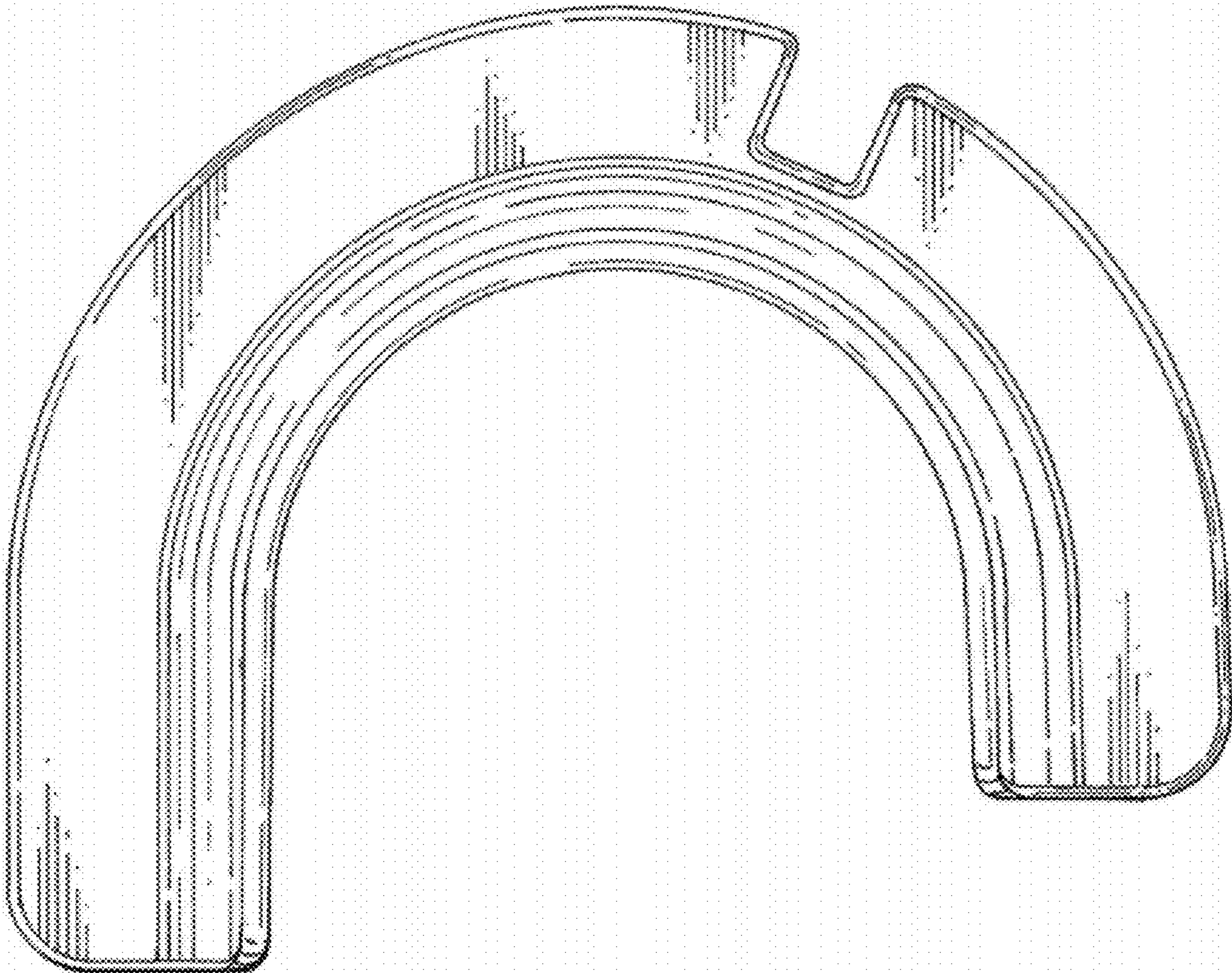


FIG. 7

UNITED STATES PATENT AND TRADEMARK OFFICE
CERTIFICATE OF CORRECTION

PATENT NO. : D664,652 S
APPLICATION NO. : 29/394975
DATED : July 31, 2012
INVENTOR(S) : Rainer Hermle

Page 1 of 9

It is certified that error appears in the above-identified patent and that said Letters Patent is hereby corrected as shown below:

The Title Page, showing an illustrative Figure, should be deleted and substitute therefor the attached Title Page.

In the Drawings

Delete Drawing Sheets 1-7, and substitute therefor the Drawing Sheets, consisting of Figs. 1-7, as shown on the attached pages.

Signed and Sealed this
Twenty-second Day of October, 2013



Teresa Stanek Rea
Deputy Director of the United States Patent and Trademark Office

(12) **United States Design Patent**
Hermle

(10) **Patent No.:** **US D664,652 S**
(45) **Date of Patent:** **** Jul. 31, 2012**

(54) **ATRIUM RETRACTOR**

(75) **Inventor:** **Rainer Hermle, Gosheim (DE)**

(73) **Assignee:** **Karl Storz GmbH & Co. KG (DE)**

(**) **Term:** **14 Years**

(21) **Appl. No.:** **29/394,975**

(22) **Filed:** **Jun. 23, 2011**

(30) **Foreign Application Priority Data**

Dec. 23, 2010 (EM) 001798331-0005

(51) **LOC (9) Cl.** **24-02**

(52) **U.S. Cl.** **D24/135**

(58) **Field of Classification Search** D24/135;
128/846; 600/201, 208
See application file for complete search history.

(56) **References Cited**

U.S. PATENT DOCUMENTS

5,125,396	A *	6/1992	Ray	600/208
5,613,937	A *	3/1997	Garrison et al.	600/201
5,906,577	A *	5/1999	Beane et al.	600/207
6,048,309	A *	4/2000	Flom et al.	600/234
6,162,172	A *	12/2000	Cosgrove et al.	600/208
6,482,152	B2 *	11/2002	Kim	600/210
2001/0037053	A1 *	11/2001	Bonadio et al.	600/208
2002/0010389	A1 *	1/2002	Butler et al.	600/208
2003/0176771	A1 *	9/2003	Pulford et al.	600/208
2004/0230100	A1 *	11/2004	Shluzas	600/208
2005/0159650	A1 *	7/2005	Raymond et al.	600/201
2005/0203346	A1 *	9/2005	Bonadio et al.	600/208

2006/0247498	A1 *	11/2006	Bonadio et al.	600/208
2007/0038032	A1 *	2/2007	De Canniere et al.	600/210
2007/0088204	A1 *	4/2007	Albrecht et al.	600/208
2009/0093684	A1 *	4/2009	Schorer	600/210
2011/0021879	A1 *	1/2011	Hart et al.	600/207
2011/0137128	A1 *	6/2011	Poo et al.	600/206
2011/0251461	A1 *	10/2011	Gomez Gonzalez et al.	600/201

OTHER PUBLICATIONS

Geister Brochure; ValveGate—Minimally Invasive Valve Surgery; 8 pages (specifically p. 6); Geister 2009.

* cited by examiner

Primary Examiner — Bridget L Eland

(74) *Attorney, Agent, or Firm* — St. Onge Steward Johnston & Reens LLC

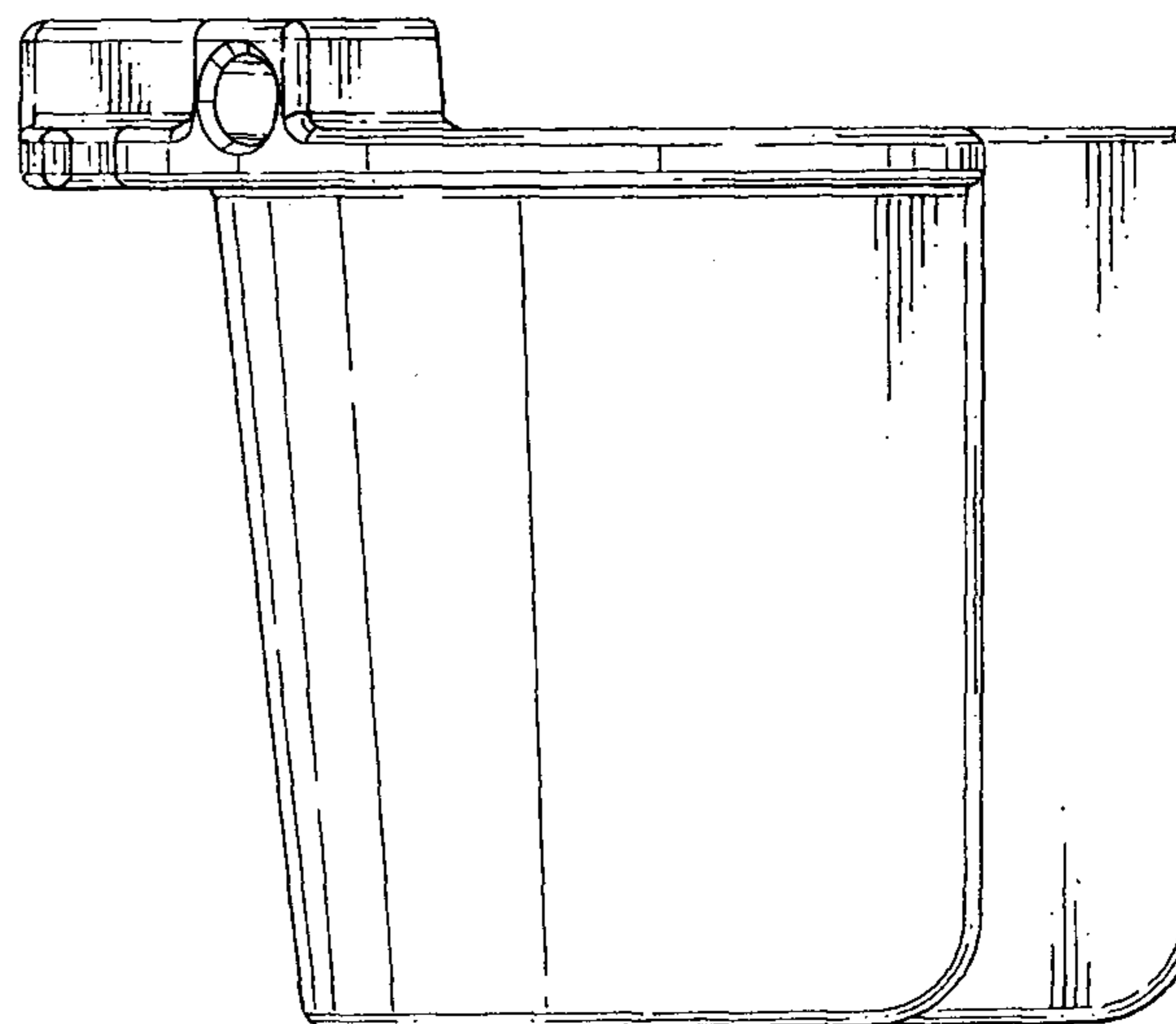
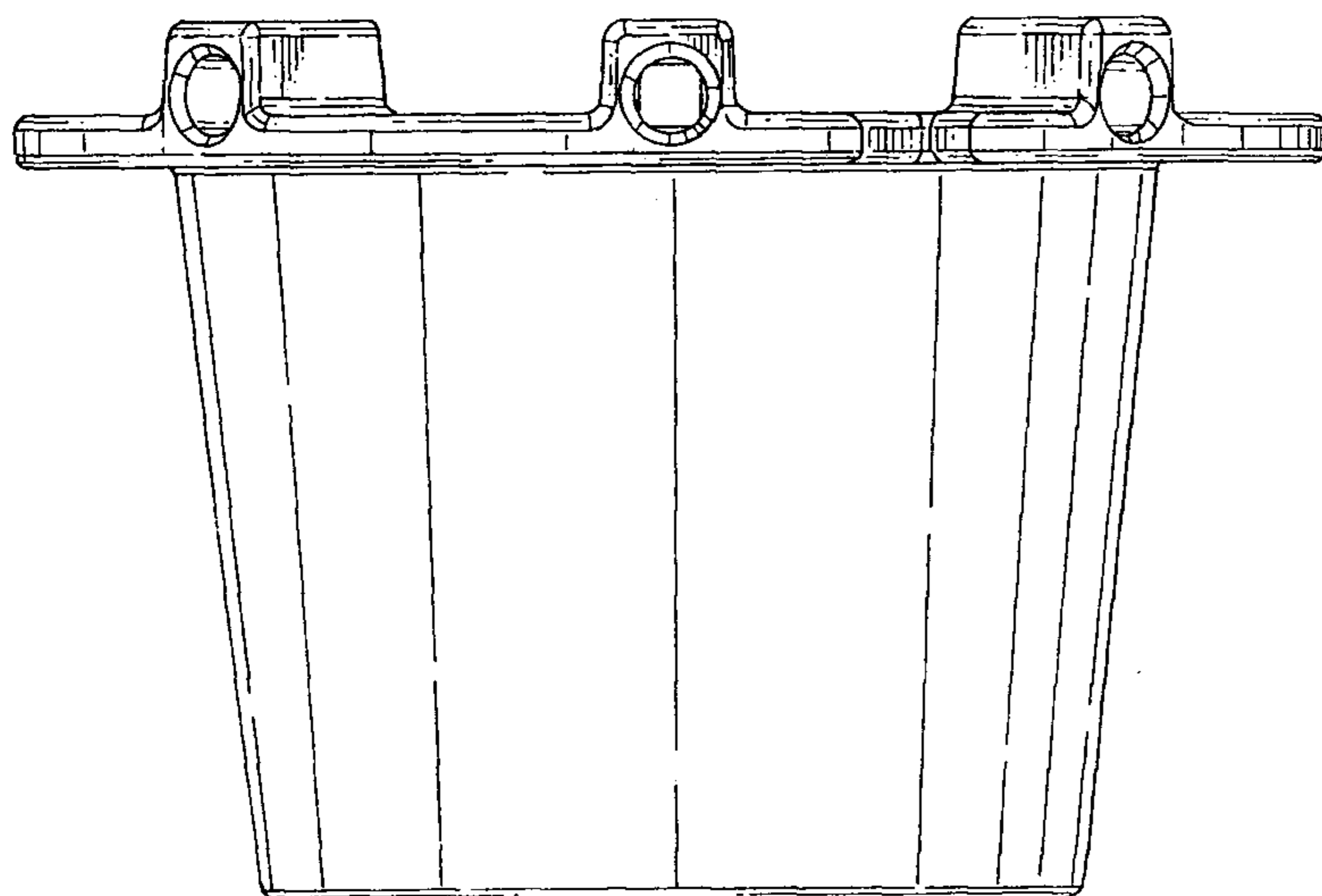
(57) **CLAIM**

The ornamental design for an atrium retractor, as shown and described.

DESCRIPTION

FIG. 1 is a front perspective view of an atrium retractor in accordance with the new design;
FIG. 2 is a front elevation view thereof;
FIG. 3 is a rear elevation view thereof;
FIG. 4 is a right side elevation view thereof;
FIG. 5 is a left side elevation view thereof;
FIG. 6 is a top plan view thereof; and,
FIG. 7 is a bottom plan view thereof.

1 Claim, 7 Drawing Sheets



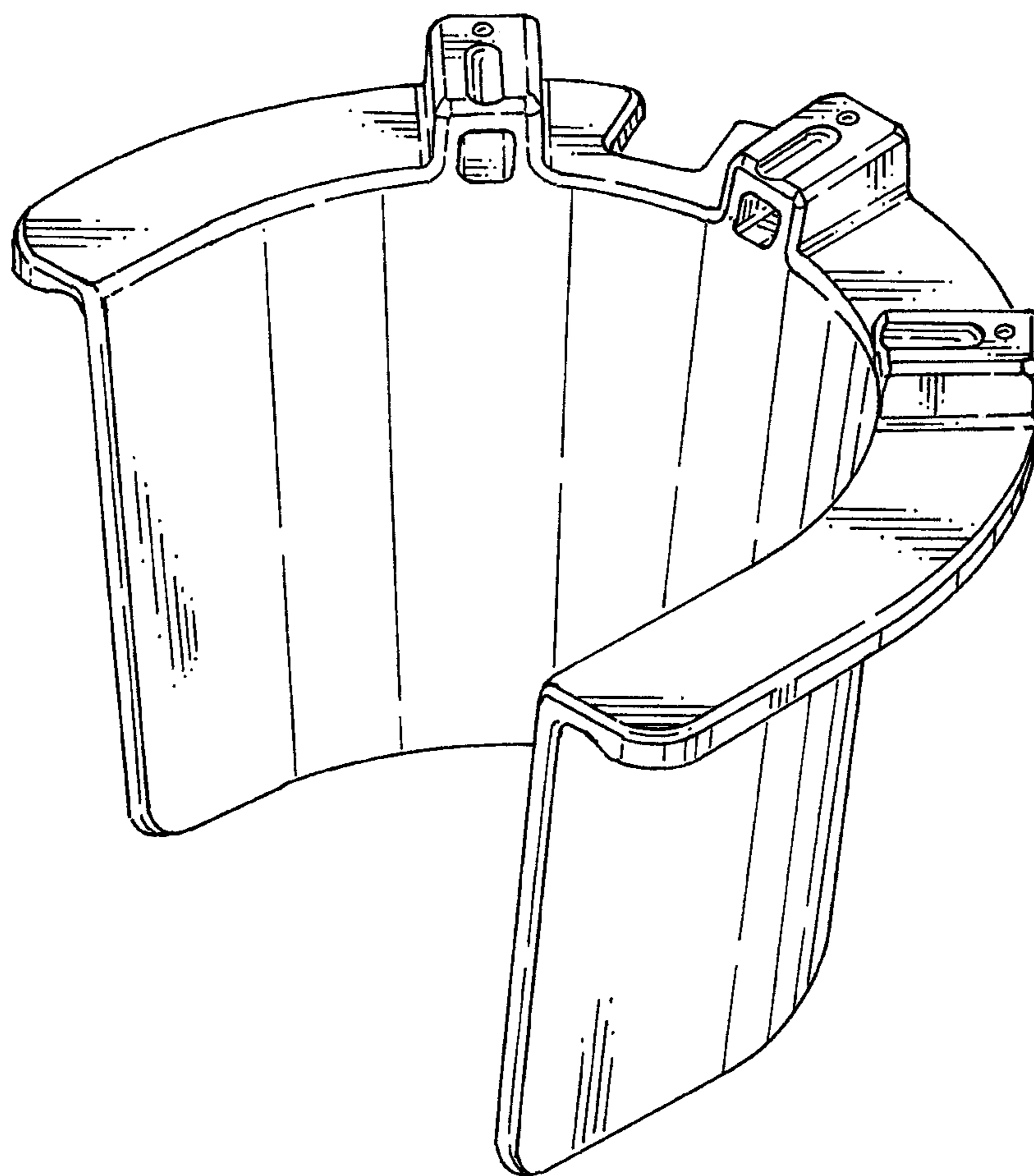


FIG. 1

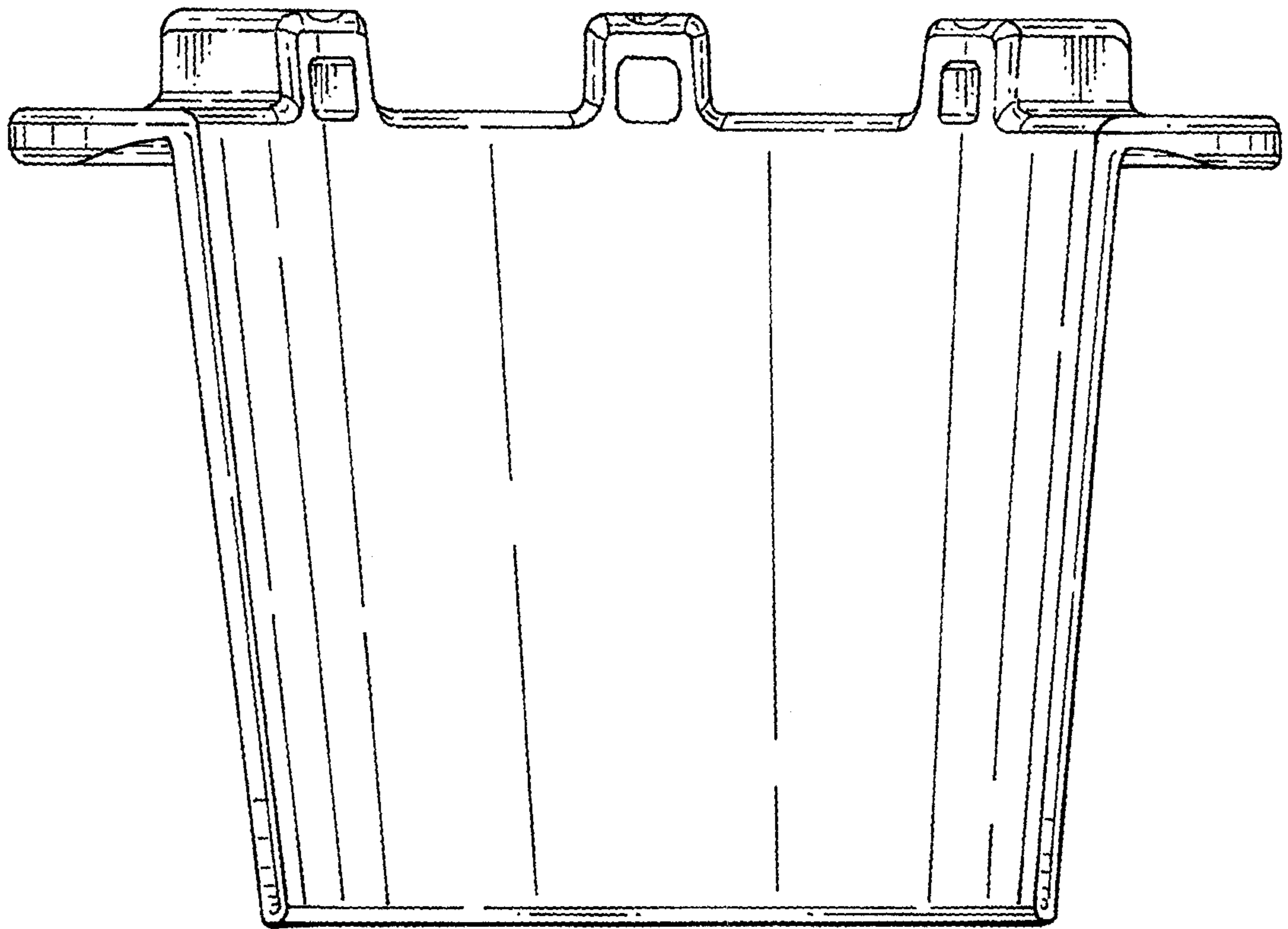


FIG. 2

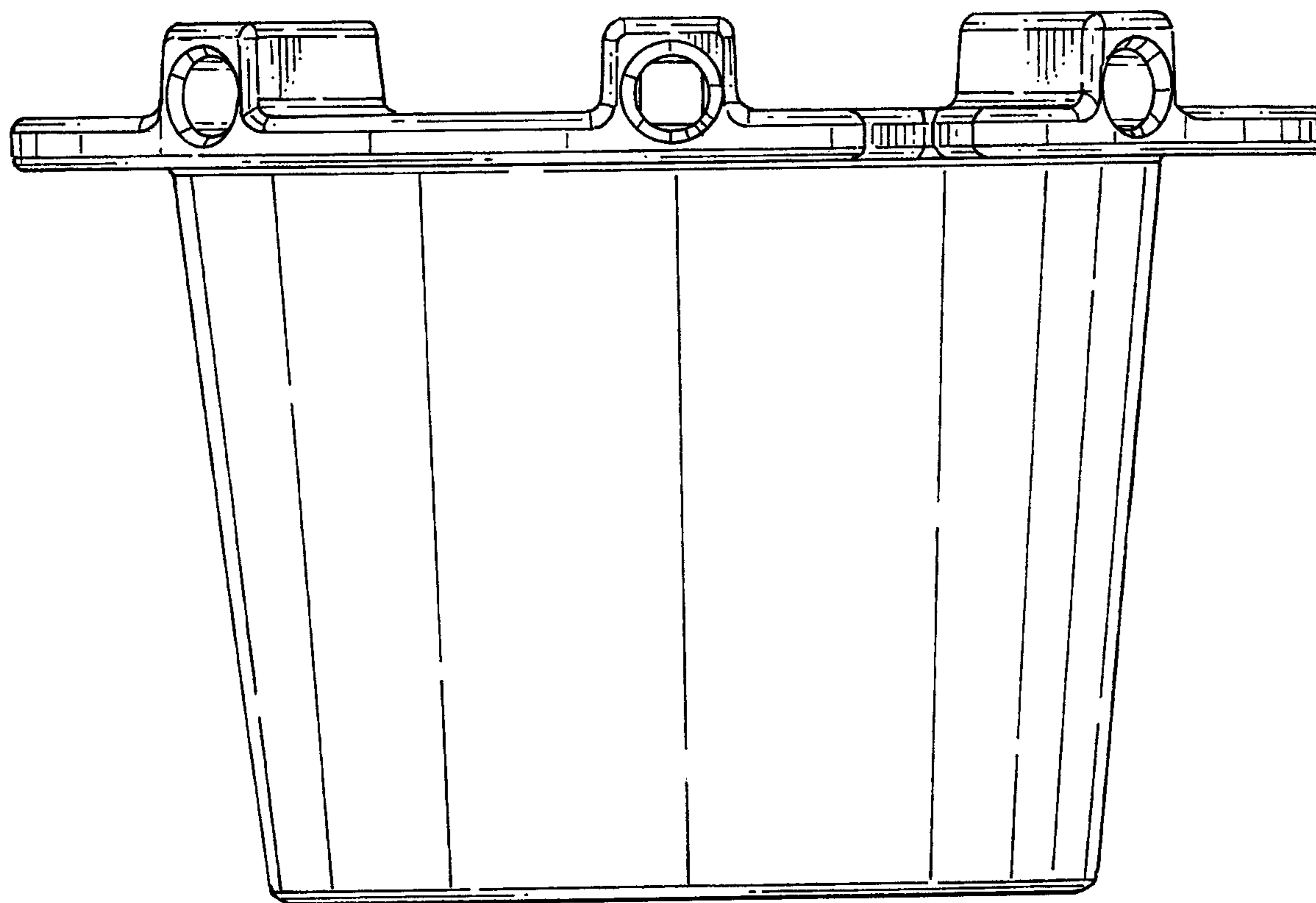


FIG. 3

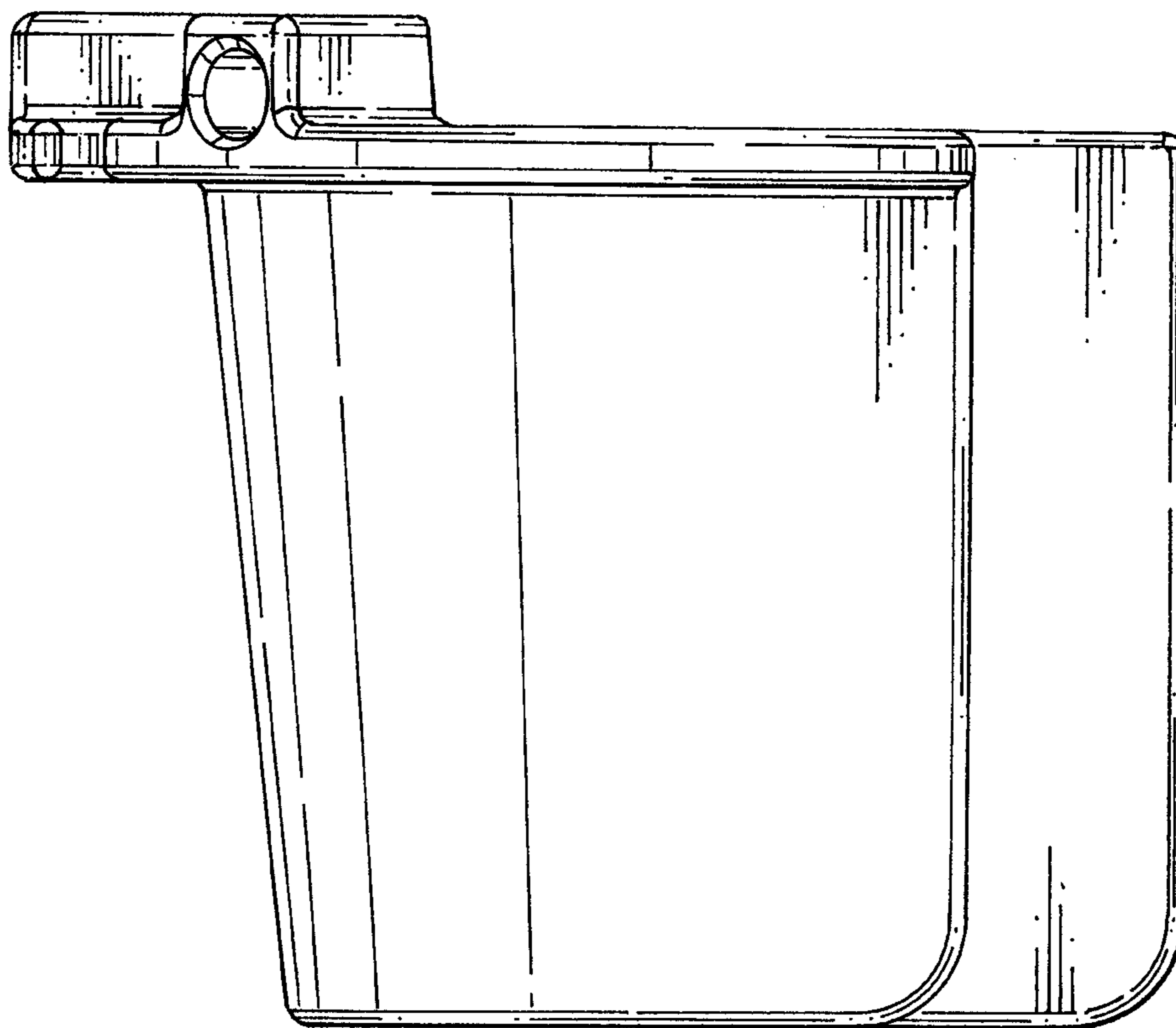


FIG. 4

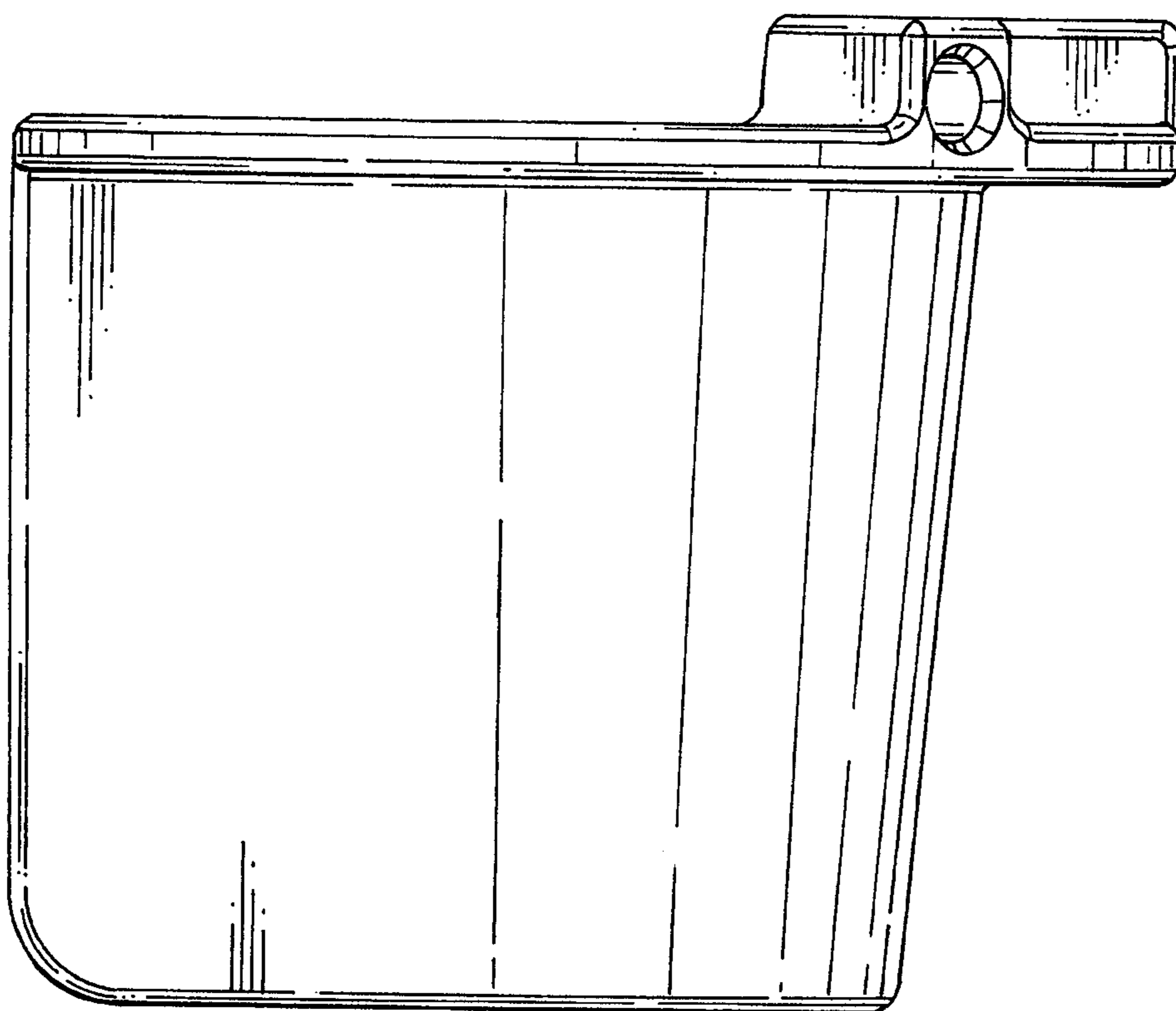


FIG. 5

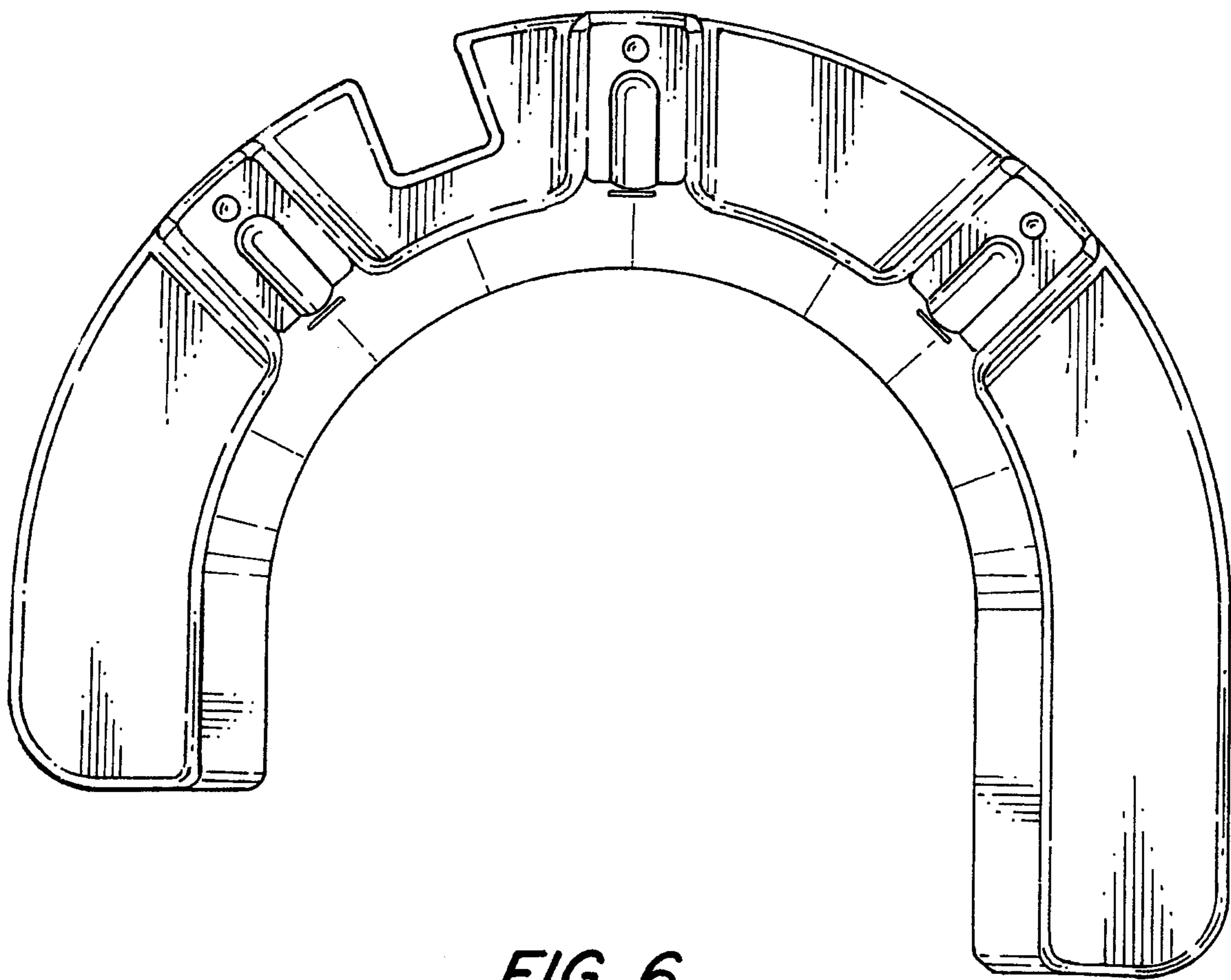


FIG. 6

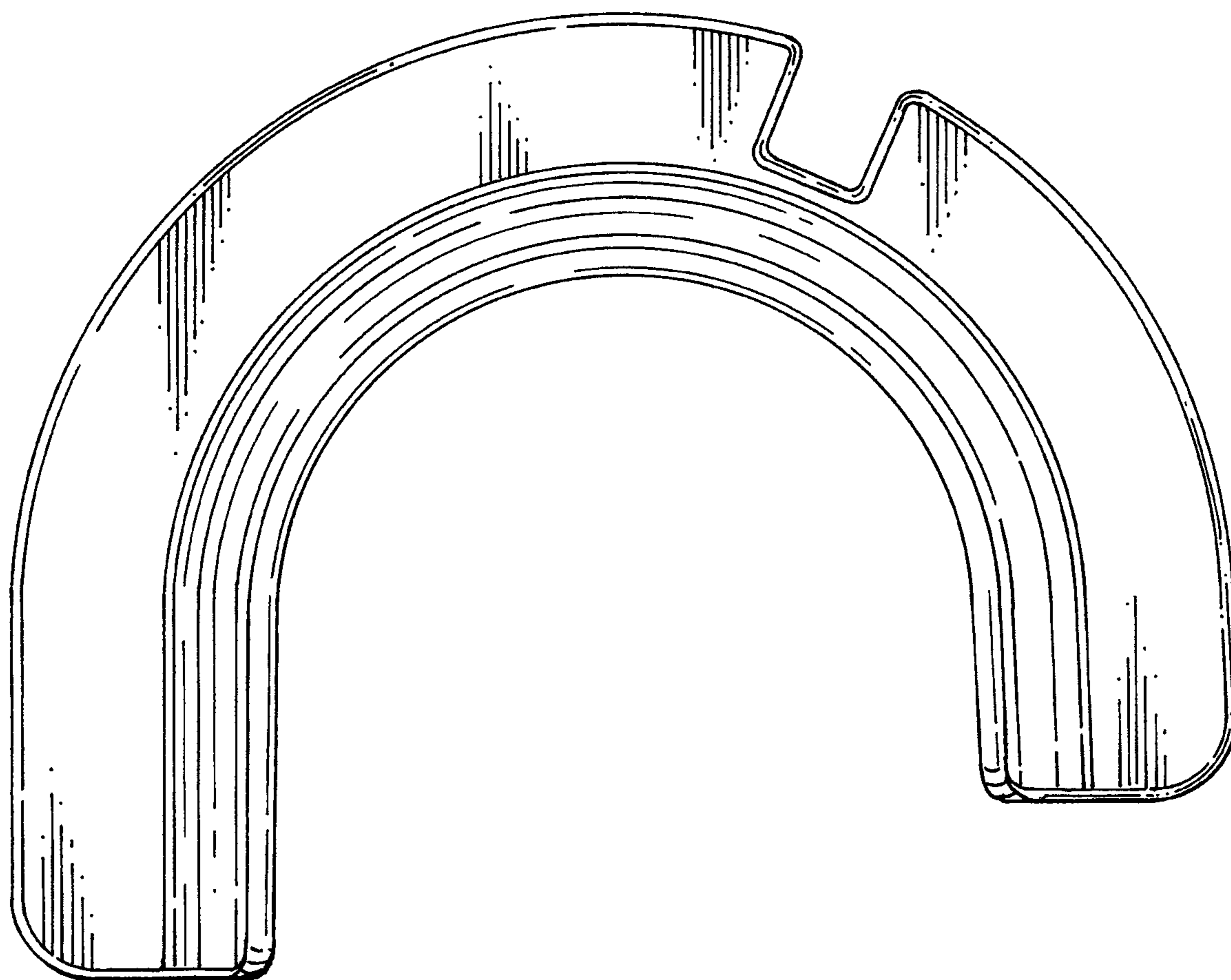


FIG. 7

UNITED STATES PATENT AND TRADEMARK OFFICE
CERTIFICATE OF CORRECTION

PATENT NO. : D664,652 S
APPLICATION NO. : 29/394975
DATED : July 31, 2012
INVENTOR(S) : Rainer Hermle et al.

Page 1 of 1

It is certified that error appears in the above-identified patent and that said Letters Patent is hereby corrected as shown below:

Title page,

Item (12) Should read as follows: -- Hermle et al. --.

Item (75) Inventors

Should read as follows:

-- Rainer Hermle, Gosheim (DE)
Ernesto Greco, Roma (IT) --.

Signed and Sealed this
Sixteenth Day of August, 2016



Michelle K. Lee
Director of the United States Patent and Trademark Office