

US00D664651S

(12) **United States Design Patent**
Hermle

(10) **Patent No.:** **US D664,651 S**
(45) **Date of Patent:** **** Jul. 31, 2012**

(54) **ATRIUM RETRACTOR**

(75) Inventor: **Rainer Hermle**, Gosheim (DE)

(73) Assignee: **Karl Storz GmbH & Co. KG** (DE)

(**) Term: **14 Years**

(21) Appl. No.: **29/394,973**

(22) Filed: **Jun. 23, 2011**

(30) **Foreign Application Priority Data**

Dec. 23, 2010 (EM) 001798331-0003

(51) **LOC (9) Cl.** **24-02**

(52) **U.S. Cl.** **D24/135**

(58) **Field of Classification Search** D24/135;
128/846; 600/201, 208

See application file for complete search history.

(56) **References Cited**

U.S. PATENT DOCUMENTS

5,125,396	A *	6/1992	Ray	600/208
5,613,937	A *	3/1997	Garrison et al.	600/201
5,906,577	A *	5/1999	Beane et al.	600/207
6,048,309	A *	4/2000	Flom et al.	600/234
6,162,172	A *	12/2000	Cosgrove et al.	600/208
6,482,152	B2 *	11/2002	Kim	600/210
2001/0037053	A1 *	11/2001	Bonadio et al.	600/208

2002/0010389	A1 *	1/2002	Butler et al.	600/208
2003/0176771	A1 *	9/2003	Pulford et al.	600/208
2004/0230100	A1 *	11/2004	Shluzas	600/208
2005/0159650	A1 *	7/2005	Raymond et al.	600/201
2005/0203346	A1 *	9/2005	Bonadio et al.	600/208
2006/0247498	A1 *	11/2006	Bonadio et al.	600/208
2007/0038032	A1 *	2/2007	De Canniere et al.	600/210
2007/0088204	A1 *	4/2007	Albrecht et al.	600/208
2009/0093684	A1 *	4/2009	Schorer	600/210
2011/0021879	A1 *	1/2011	Hart et al.	600/207
2011/0137128	A1 *	6/2011	Poo et al.	600/206
2011/0251461	A1 *	10/2011	Gonzalez et al.	600/201

* cited by examiner

Primary Examiner — Bridget L Eland

(74) *Attorney, Agent, or Firm* — St. Onge Steward Johnston & Reens LLC

(57) **CLAIM**

The ornamental design for an atrium retractor, as shown and described.

DESCRIPTION

FIG. 1 is a front perspective view of an atrium retractor in accordance with the new design;

FIG. 2 is a front elevation view thereof;

FIG. 3 is a rear elevation view thereof;

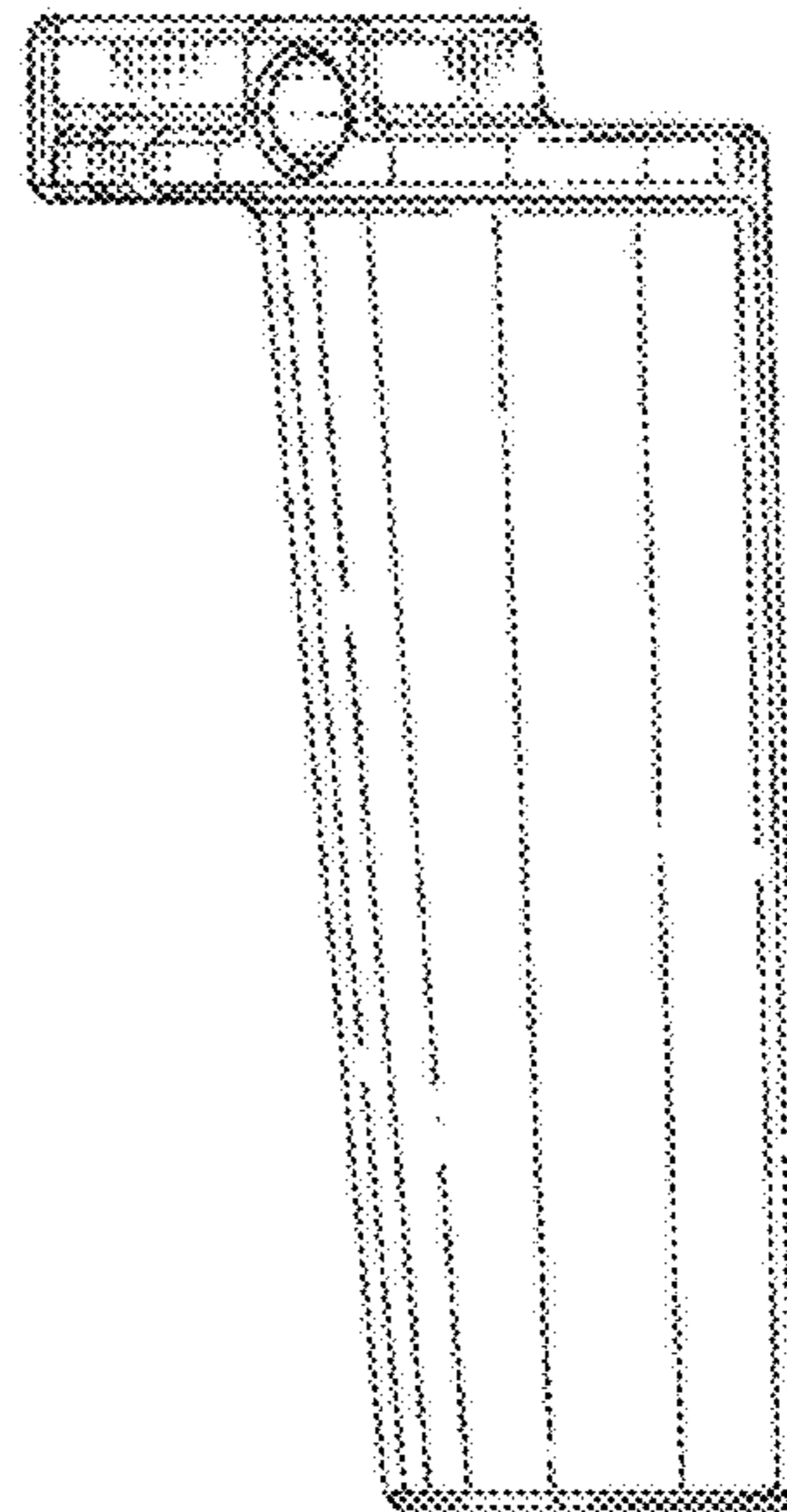
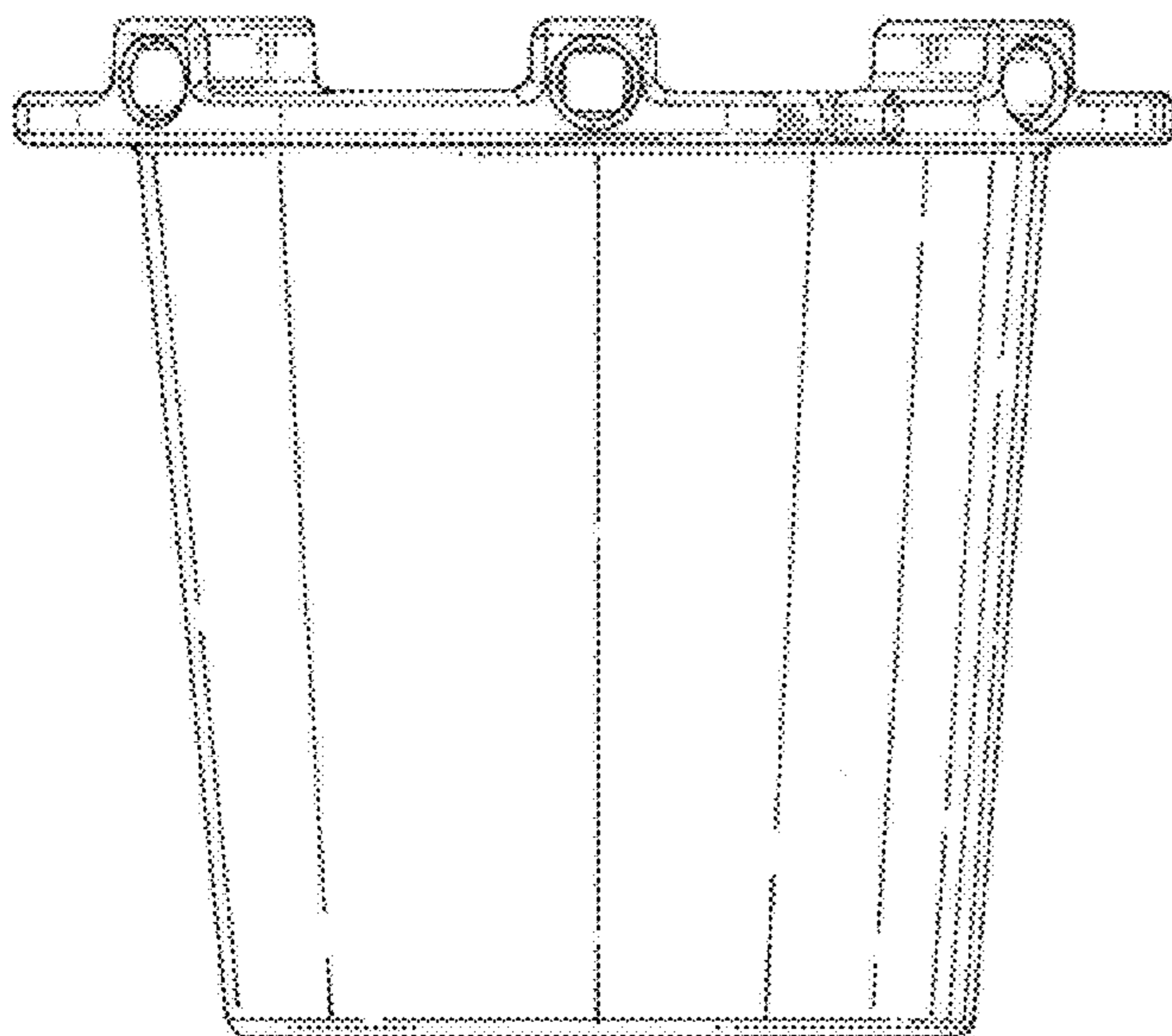
FIG. 4 is a right side elevation view thereof;

FIG. 5 is a left side elevation view thereof;

FIG. 6 is a top plan view thereof; and,

FIG. 7 is a bottom plan view thereof.

1 Claim, 7 Drawing Sheets



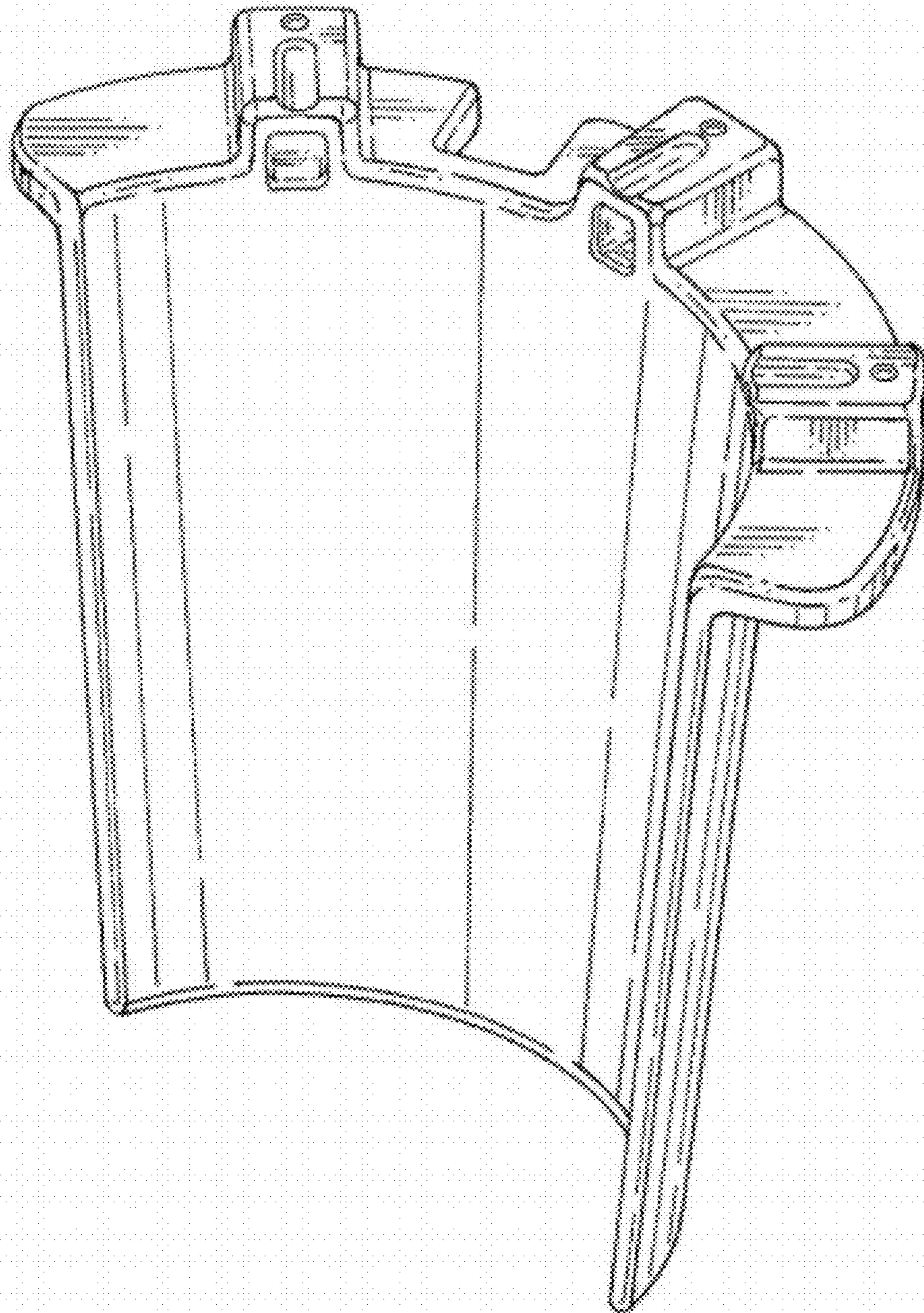


FIG. 1

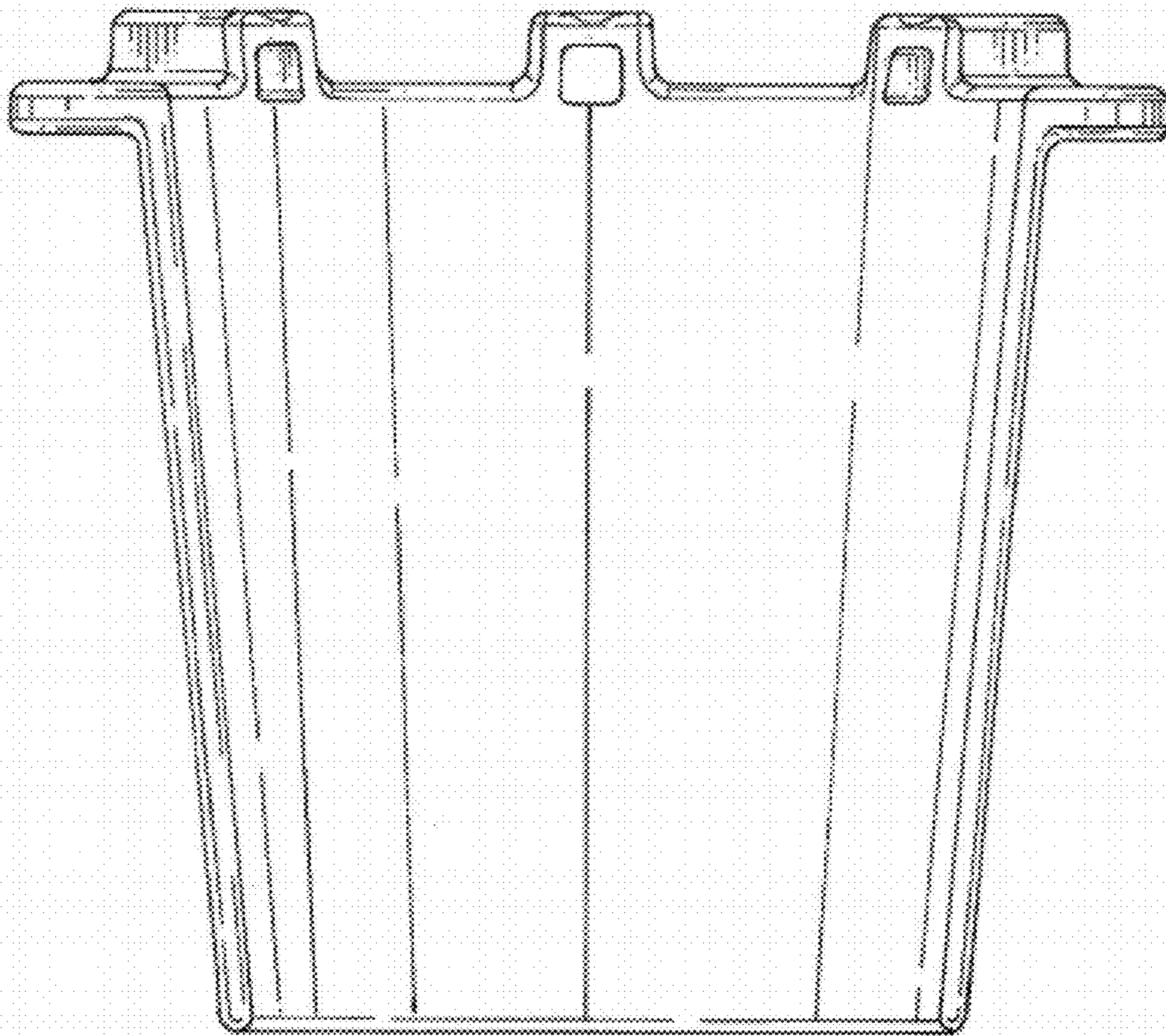


FIG. 2

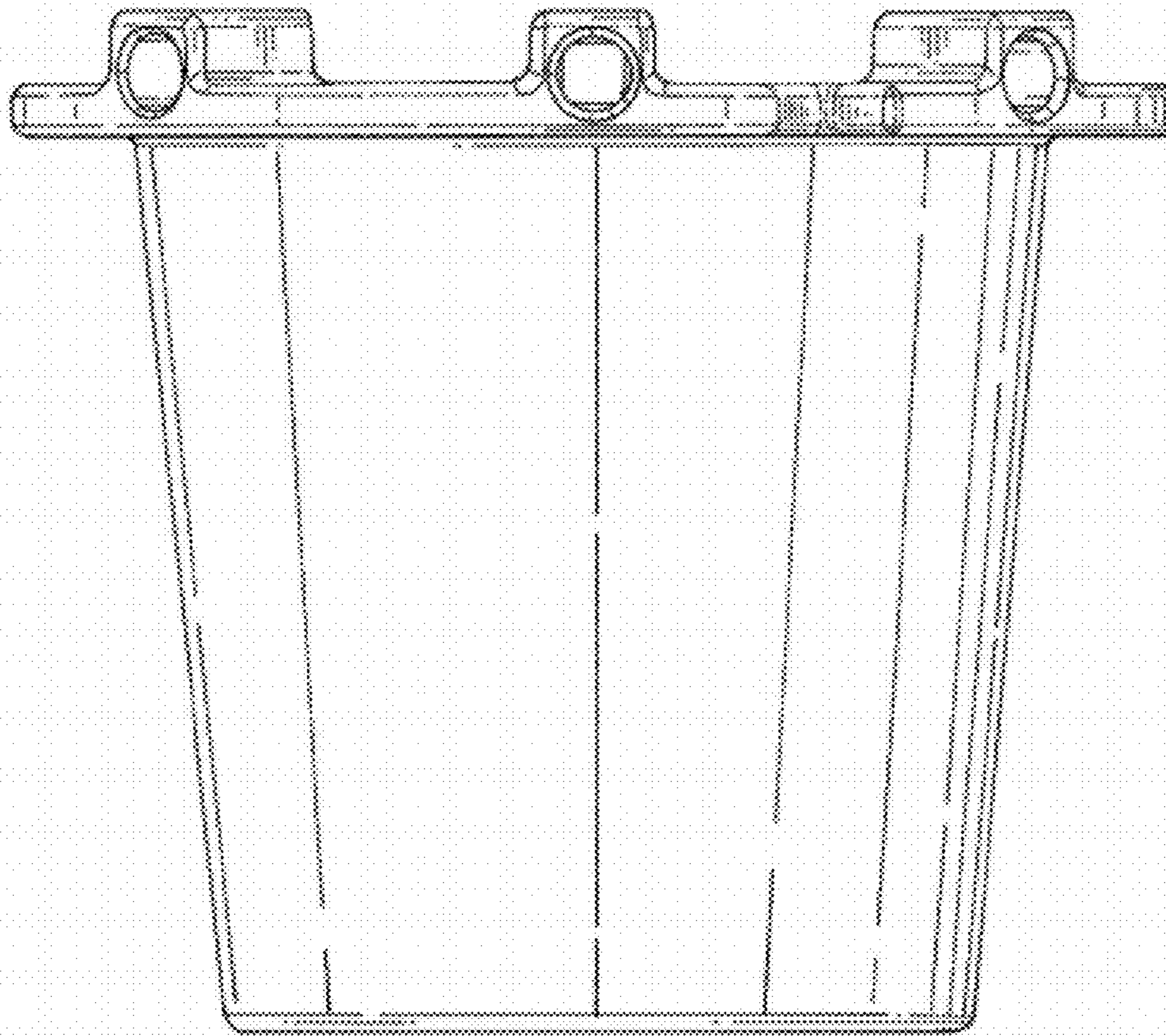


FIG. 3

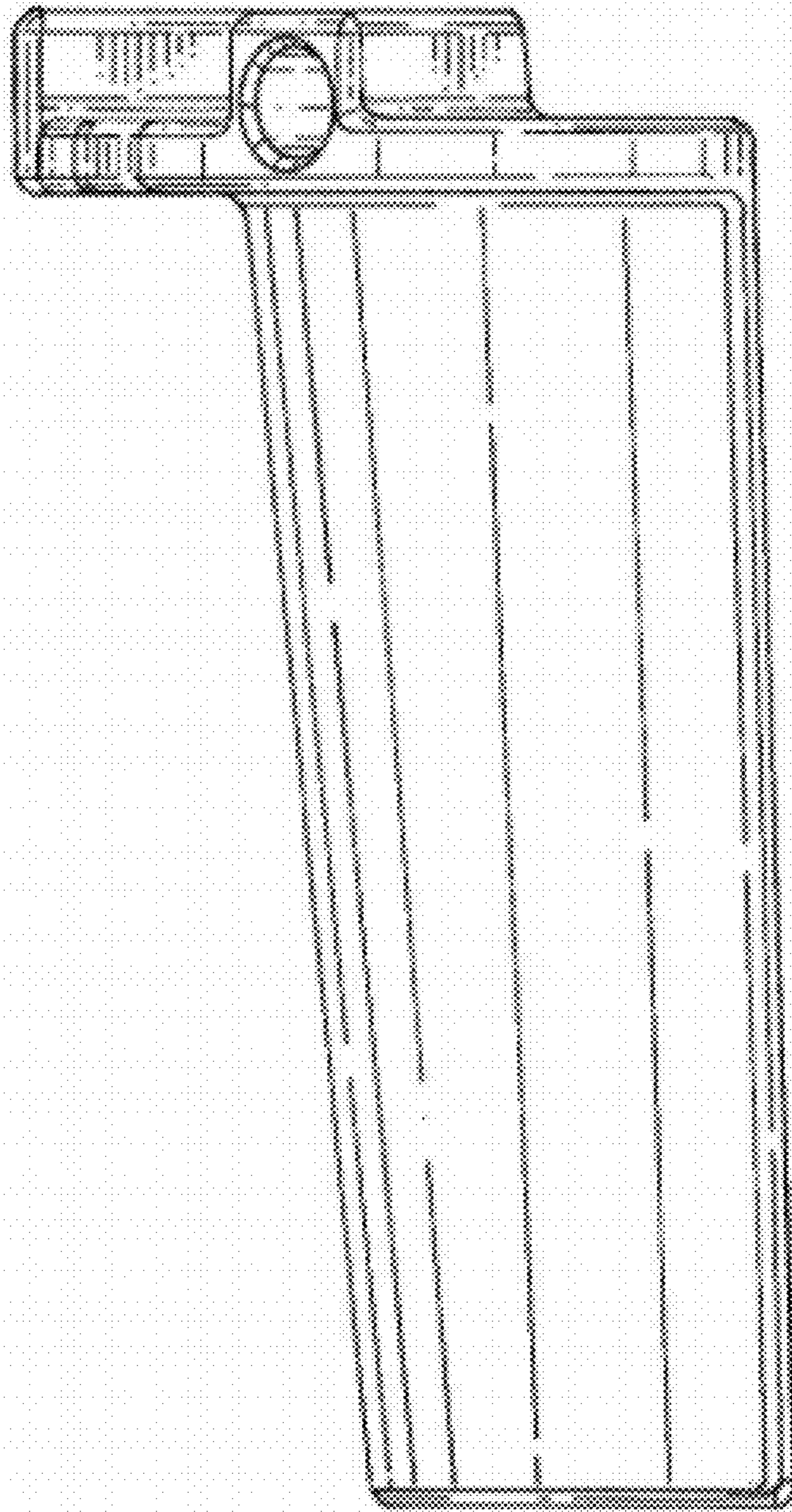


FIG. 4

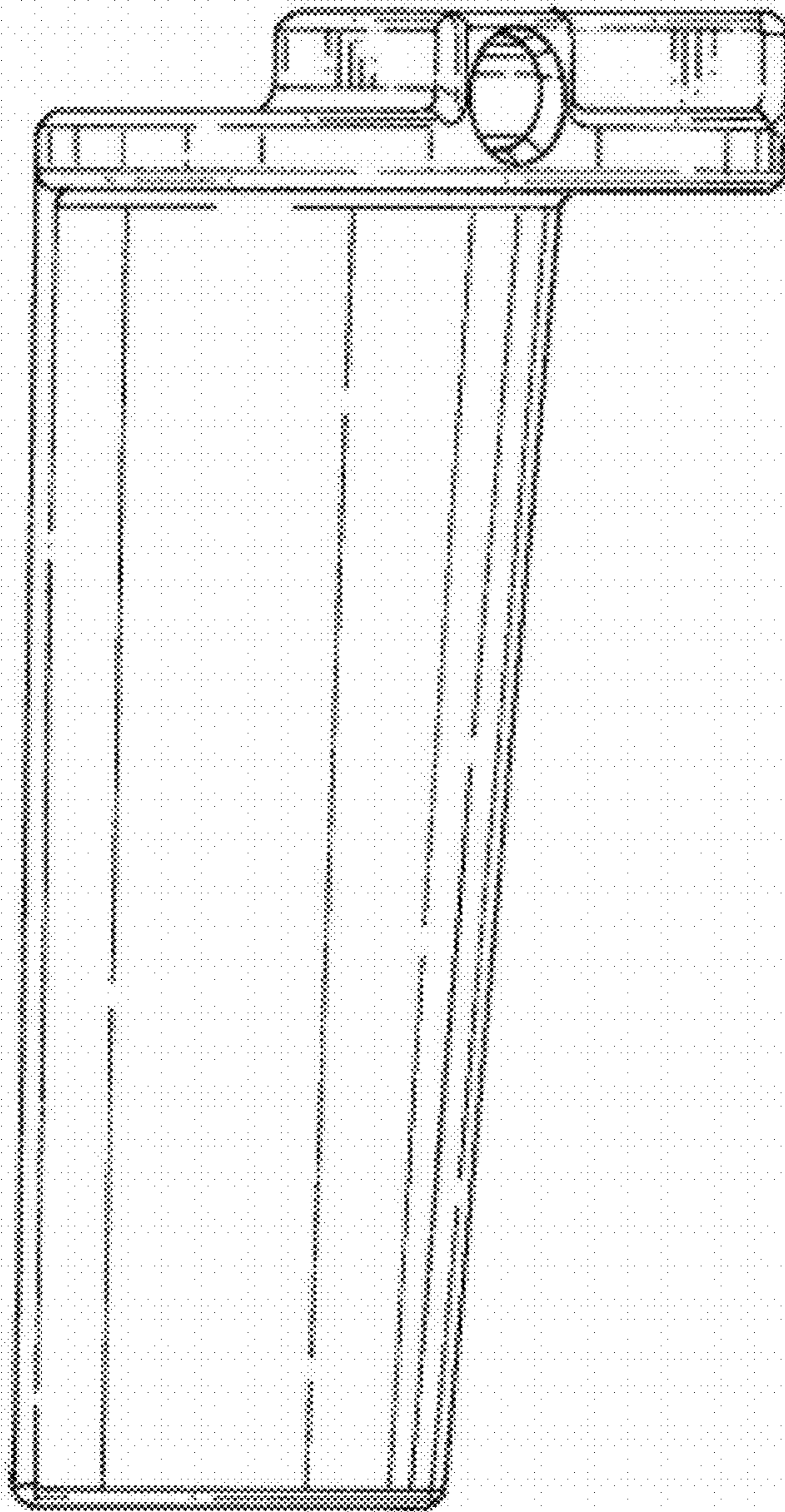


FIG. 5

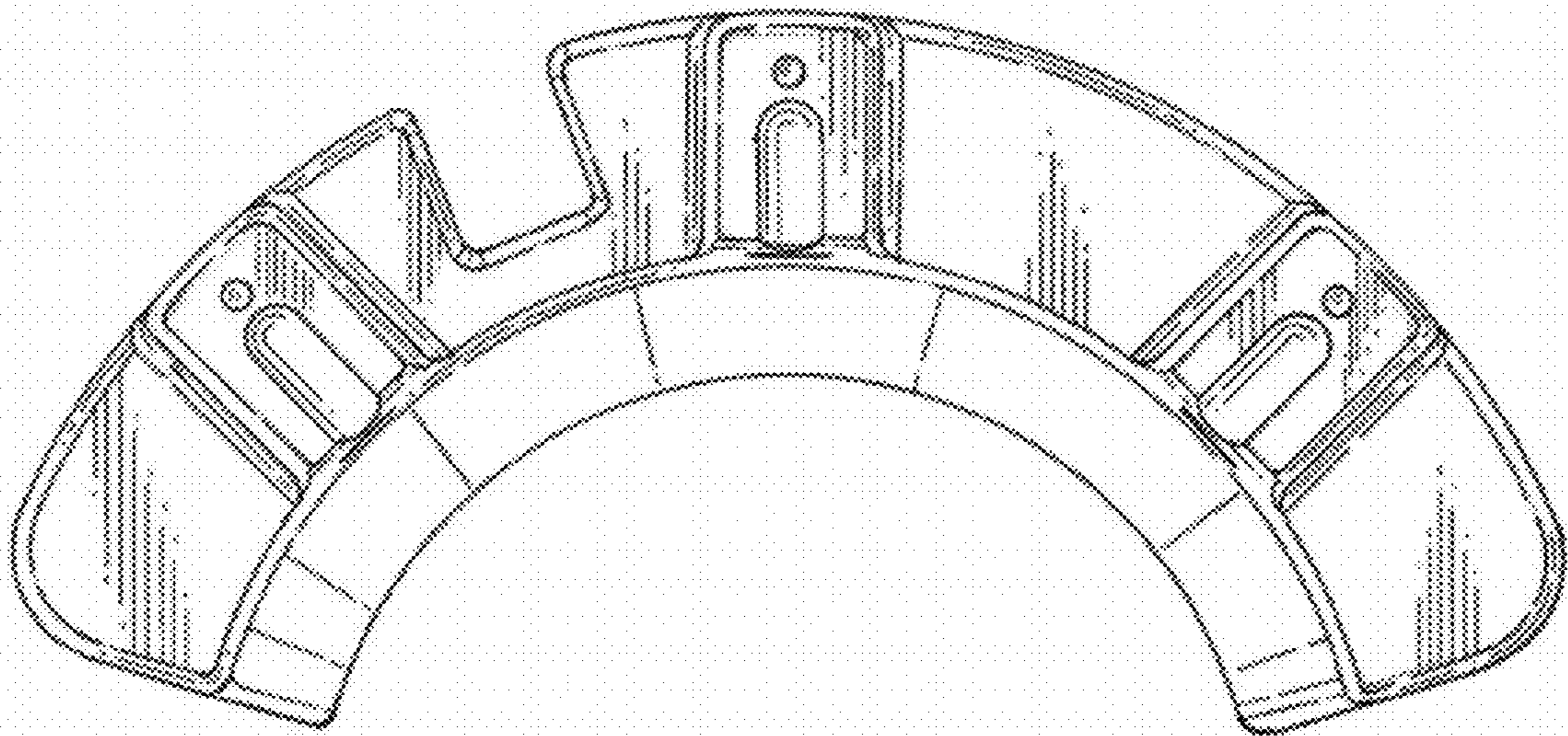


FIG. 6

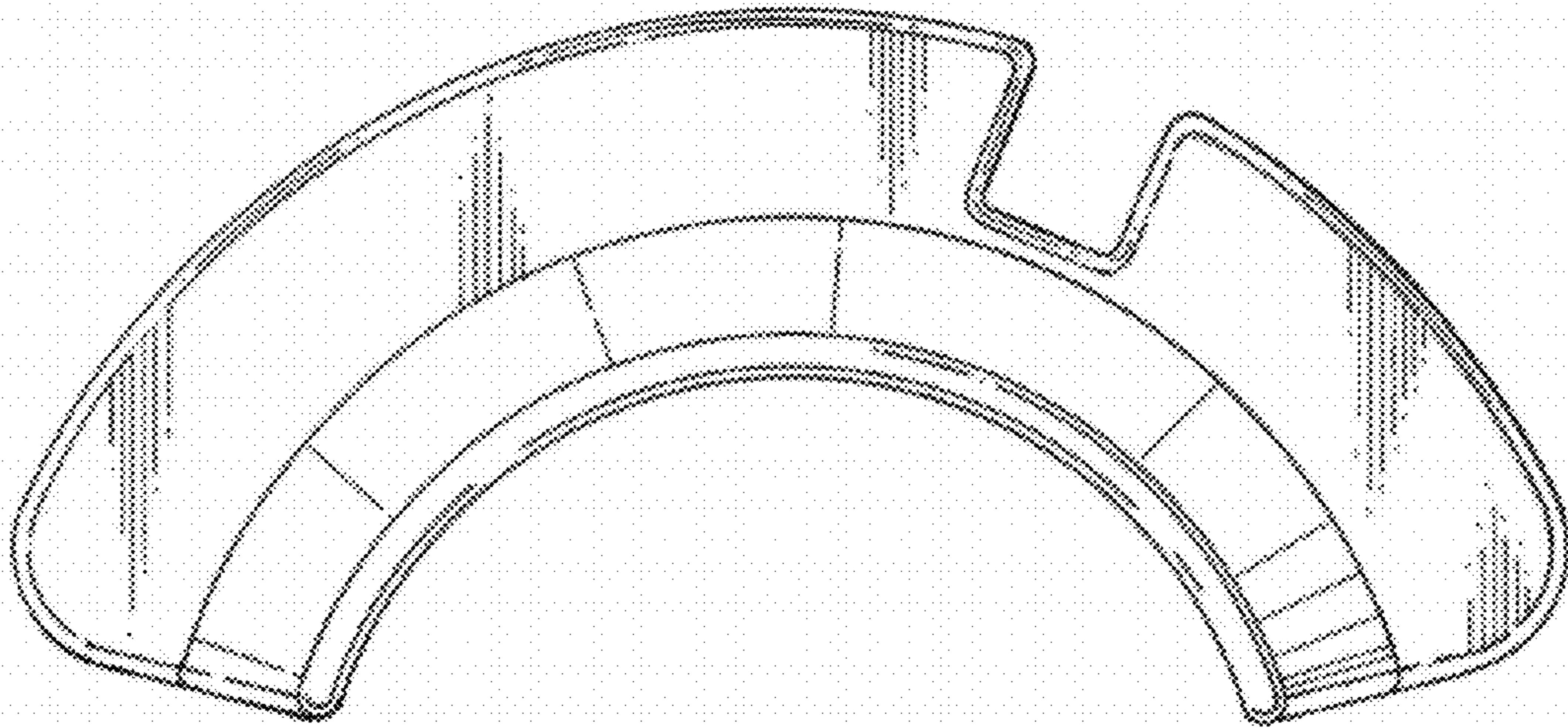


FIG. 7

UNITED STATES PATENT AND TRADEMARK OFFICE
CERTIFICATE OF CORRECTION

PATENT NO. : D664,651 S
APPLICATION NO. : 29/394973
DATED : July 31, 2012
INVENTOR(S) : Rainer Hermle et al.

Page 1 of 1

It is certified that error appears in the above-identified patent and that said Letters Patent is hereby corrected as shown below:

On the title page item 75, should read

Inventors:

Rainer Hermle, Gosheim (DE)
Ernesto Greco, Roma (IT)

Signed and Sealed this
Fifth Day of April, 2016



Michelle K. Lee
Director of the United States Patent and Trademark Office

UNITED STATES PATENT AND TRADEMARK OFFICE
CERTIFICATE OF CORRECTION

PATENT NO. : D664,651 S
APPLICATION NO. : 29/394973
DATED : July 31, 2012
INVENTOR(S) : Rainer Hermle et al.

Page 1 of 1

It is certified that error appears in the above-identified patent and that said Letters Patent is hereby corrected as shown below:

On the title page

Item 12 should read Hermle et al.

Item 75 should read

Inventors:

Rainer Hermle, Gosheim (DE)
Ernesto Greco, Roma (IT)

This certificate supersedes the Certificate of Correction issued April 5, 2016.

Signed and Sealed this
Sixth Day of December, 2016



Michelle K. Lee
Director of the United States Patent and Trademark Office