



US00D664649S

(12) **United States Design Patent**  
**Becker**

(10) **Patent No.:** **US D664,649 S**  
(45) **Date of Patent:** **\*\* Jul. 31, 2012**

(54) **RESECTOSCOPE SHEATH**

(75) Inventor: **Wolfram Becker**, Laer (DE)

(73) Assignee: **Karl Storz GmbH & Co. KG** (DE)

(\*\*) Term: **14 Years**

(21) Appl. No.: **29/394,993**

(22) Filed: **Jun. 23, 2011**

(30) **Foreign Application Priority Data**

Dec. 23, 2010 (EM) ..... 001798331-0011

(51) **LOC (9) Cl.** ..... **24-02**

(52) **U.S. Cl.** ..... **D24/133; D24/137; D24/138**

(58) **Field of Classification Search** ..... D24/133,  
D24/137, 138, 146, 147; 600/105, 119, 121;  
606/46

See application file for complete search history.

(56) **References Cited**

**U.S. PATENT DOCUMENTS**

5,445,168	A *	8/1995	Krebs	.....	128/898
D570,482	S *	6/2008	Bettocchi	.....	D24/138
D571,007	S *	6/2008	Rehbein et al.	.....	D24/133
D573,257	S *	7/2008	Rehbein et al.	.....	D24/133
D580,051	S *	11/2008	Rehbein et al.	.....	D24/133
D594,120	S *	6/2009	Berberich et al.	.....	D24/133
D594,121	S *	6/2009	Berberich et al.	.....	D24/133
D596,291	S *	7/2009	Berberich et al.	.....	D24/133
D615,200	S *	5/2010	Hahn et al.	.....	D24/138

2003/0130575	A1 *	7/2003	Desai	.....	600/417
2006/0089527	A1 *	4/2006	Doll et al.	.....	600/105
2009/0018394	A1 *	1/2009	Berberich et al.	.....	600/114
2010/0331621	A1 *	12/2010	St. George et al.	.....	600/105

**OTHER PUBLICATIONS**

Storz—Die Welt Der Endoskopie—Urologie; p. 42—Resektoskopschäfte; p. 44—Resektoskopschäfte mit Feststehendem Innenschaft, and p. 45—Resektoskopschäfte mit Drehbarem Innenschaft; 2008 (4 pages total).

\* cited by examiner

*Primary Examiner* — Bridget L Eland

(74) *Attorney, Agent, or Firm* — St. Onge Steward Johnston & Reens LLC

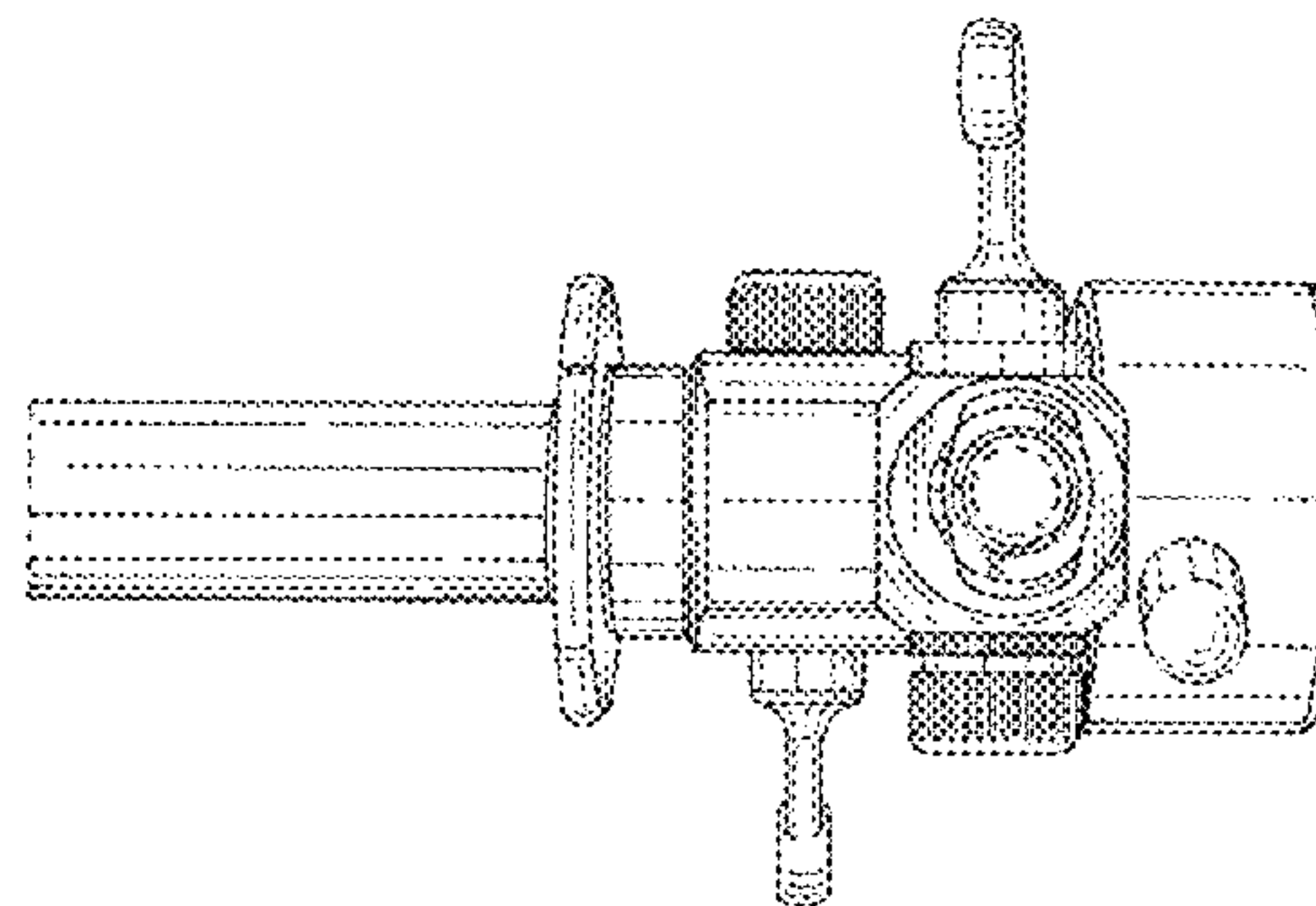
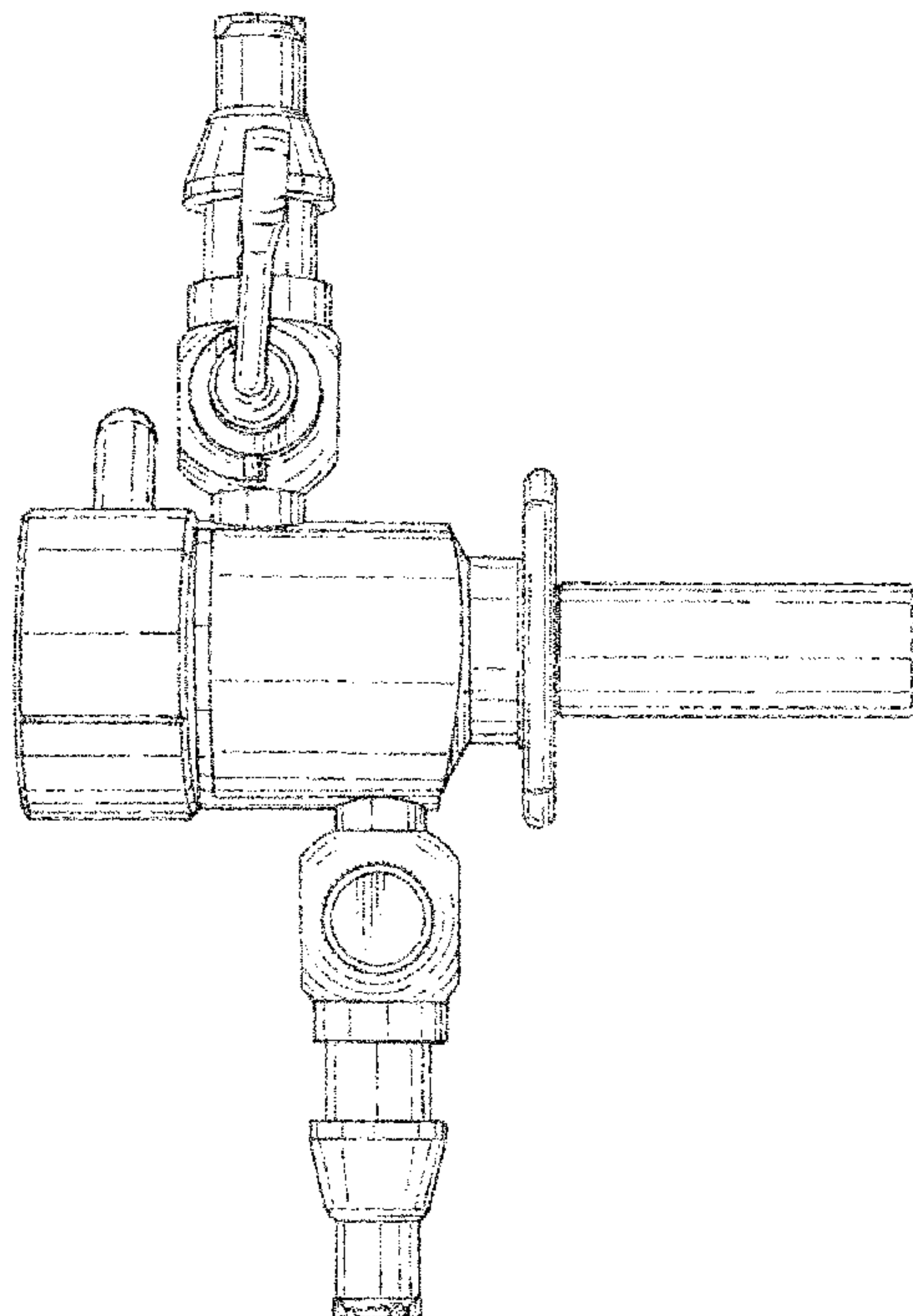
(57) **CLAIM**

The ornamental design for a resectoscope sheath, as shown and described.

**DESCRIPTION**

FIG. 1 is a top right side perspective view of a resectoscope sheath in accordance with the new design; FIG. 2 is a top isometric view thereof; FIG. 3 is a bottom isometric view thereof; FIG. 4 is a right side isometric view thereof; FIG. 5 is a left side isometric view thereof; FIG. 6 is front isometric view thereof; and, FIG. 7 is rear isometric view thereof. The broken lines shown in FIGS. 1-7 represent the bounds of the claimed design and form no part of the claimed design.

**1 Claim, 7 Drawing Sheets**



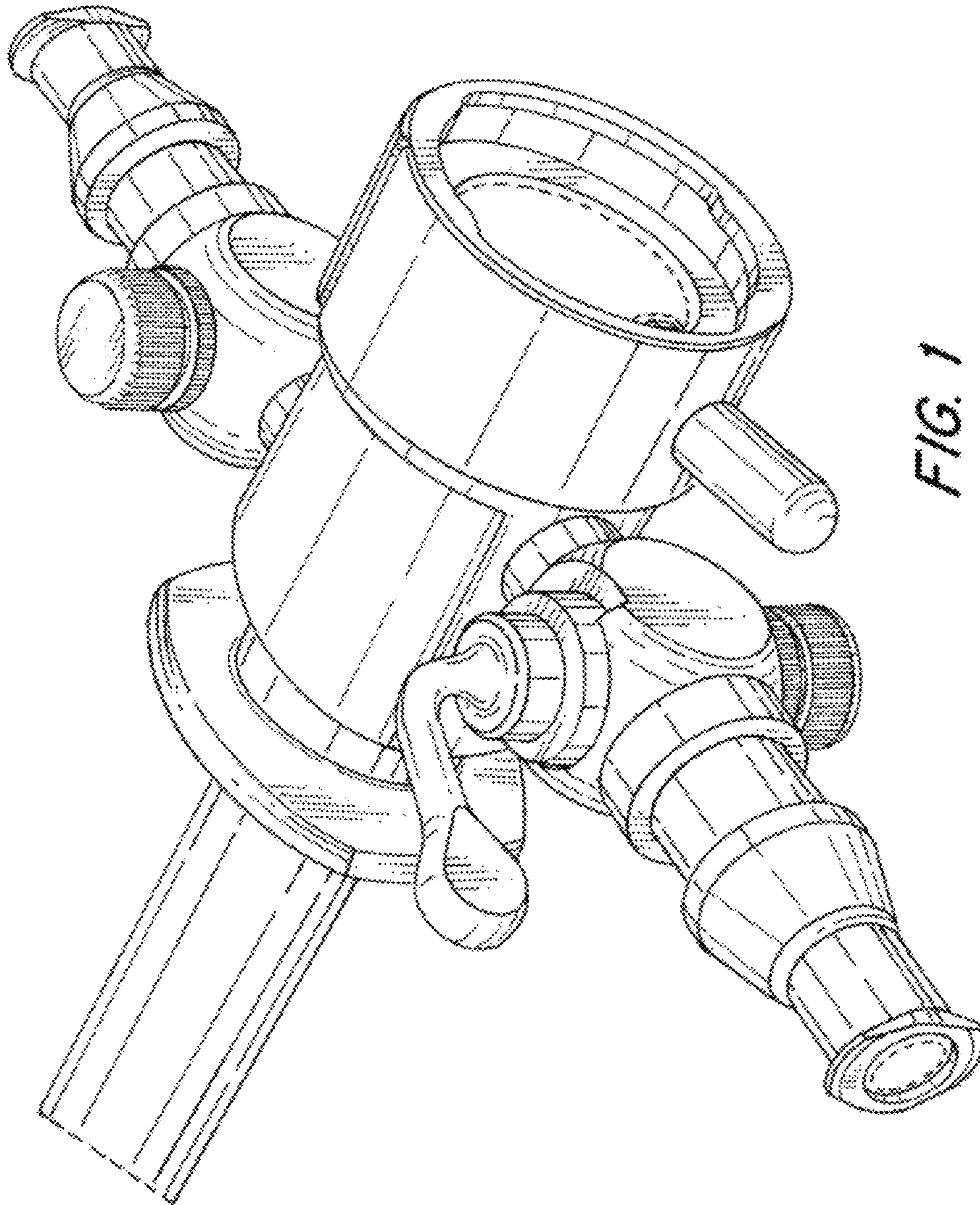


FIG. 1



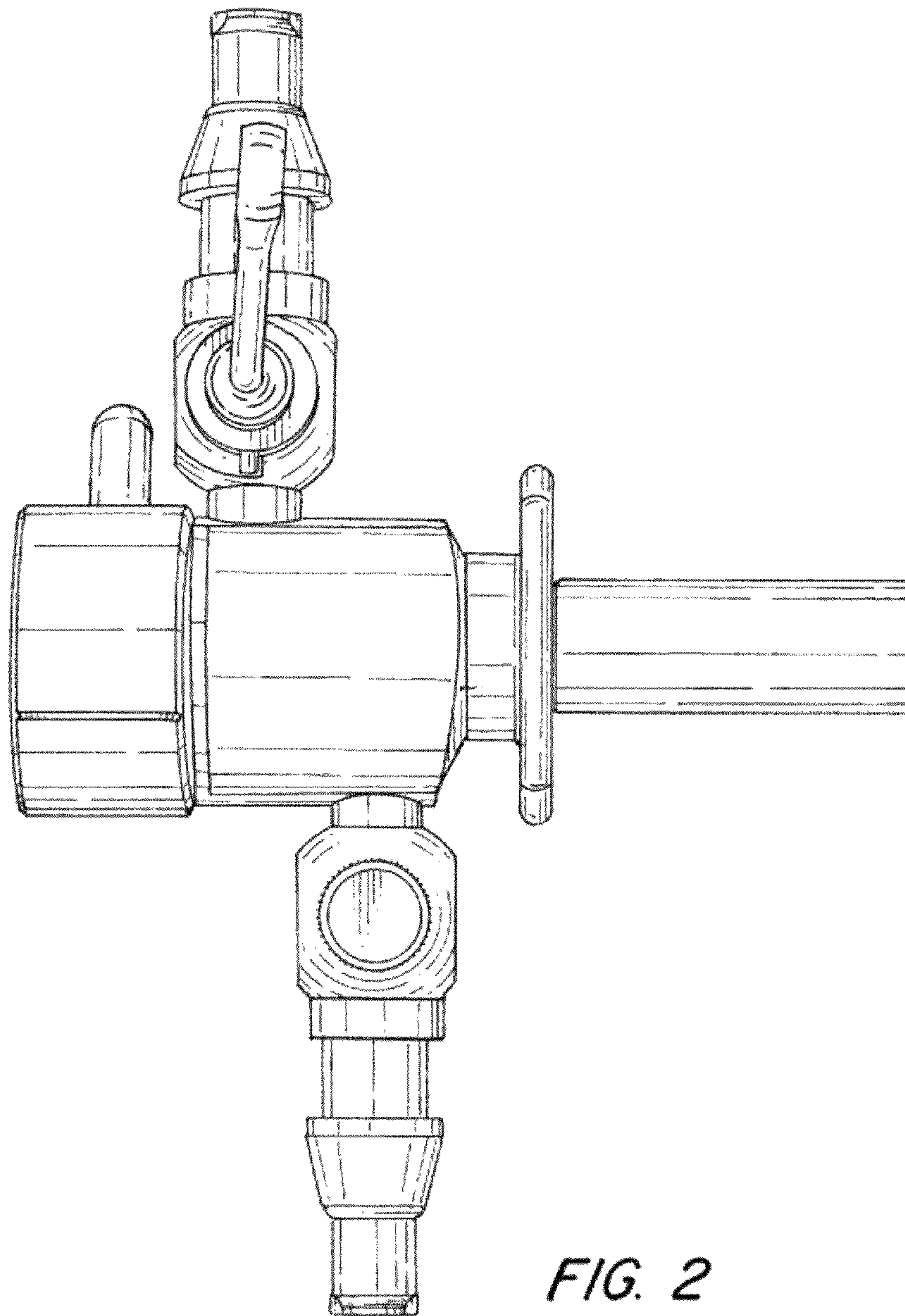


FIG. 2

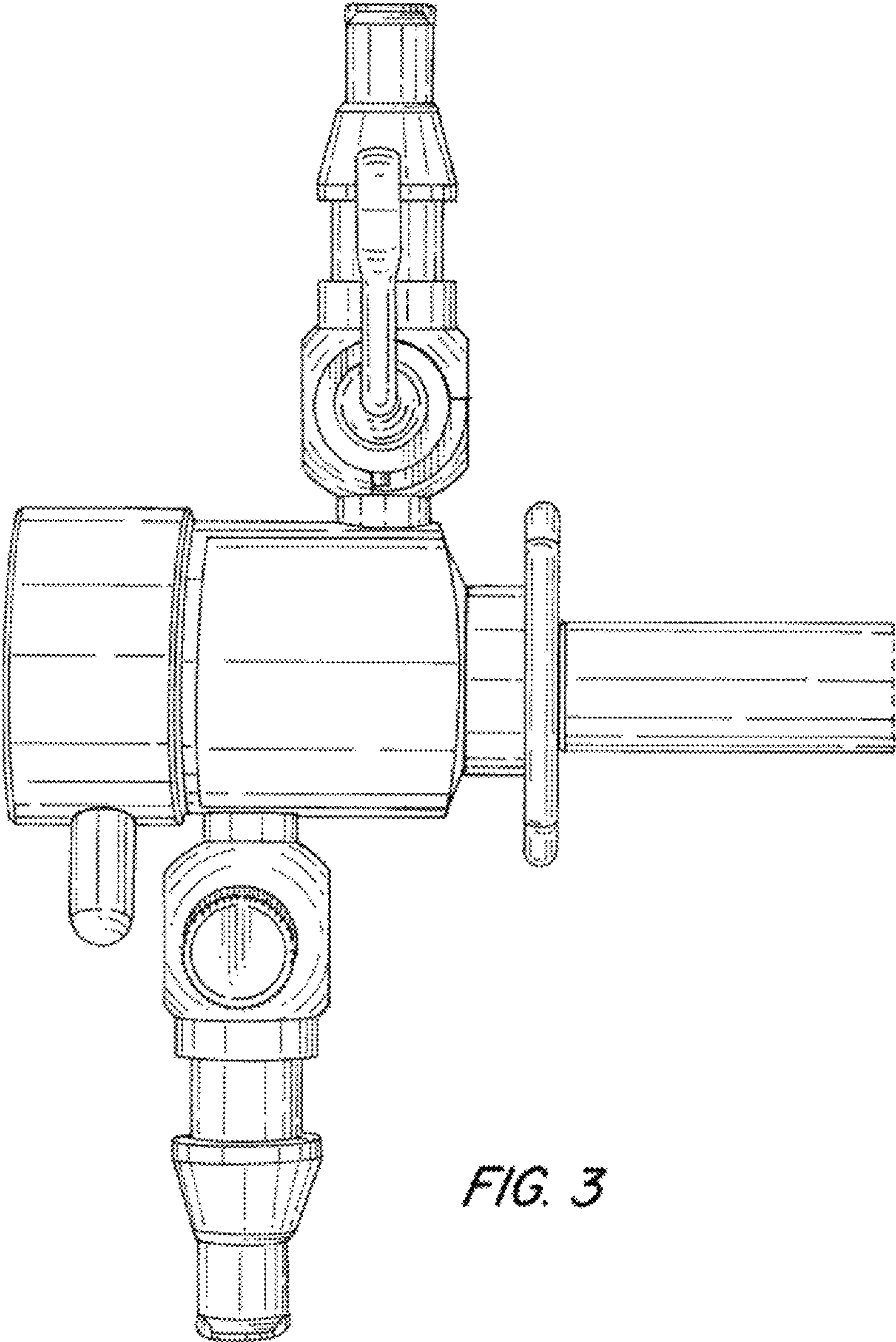
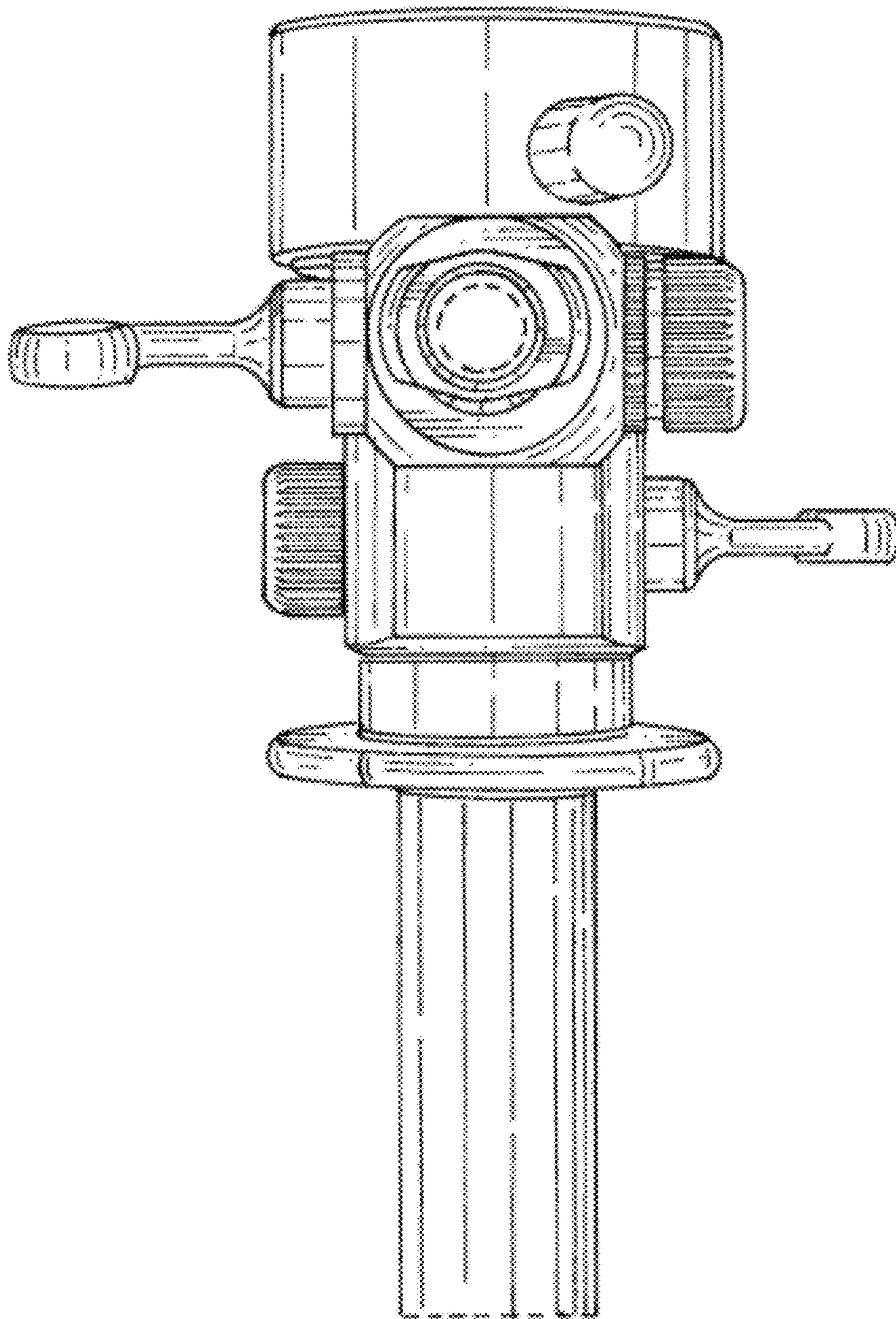
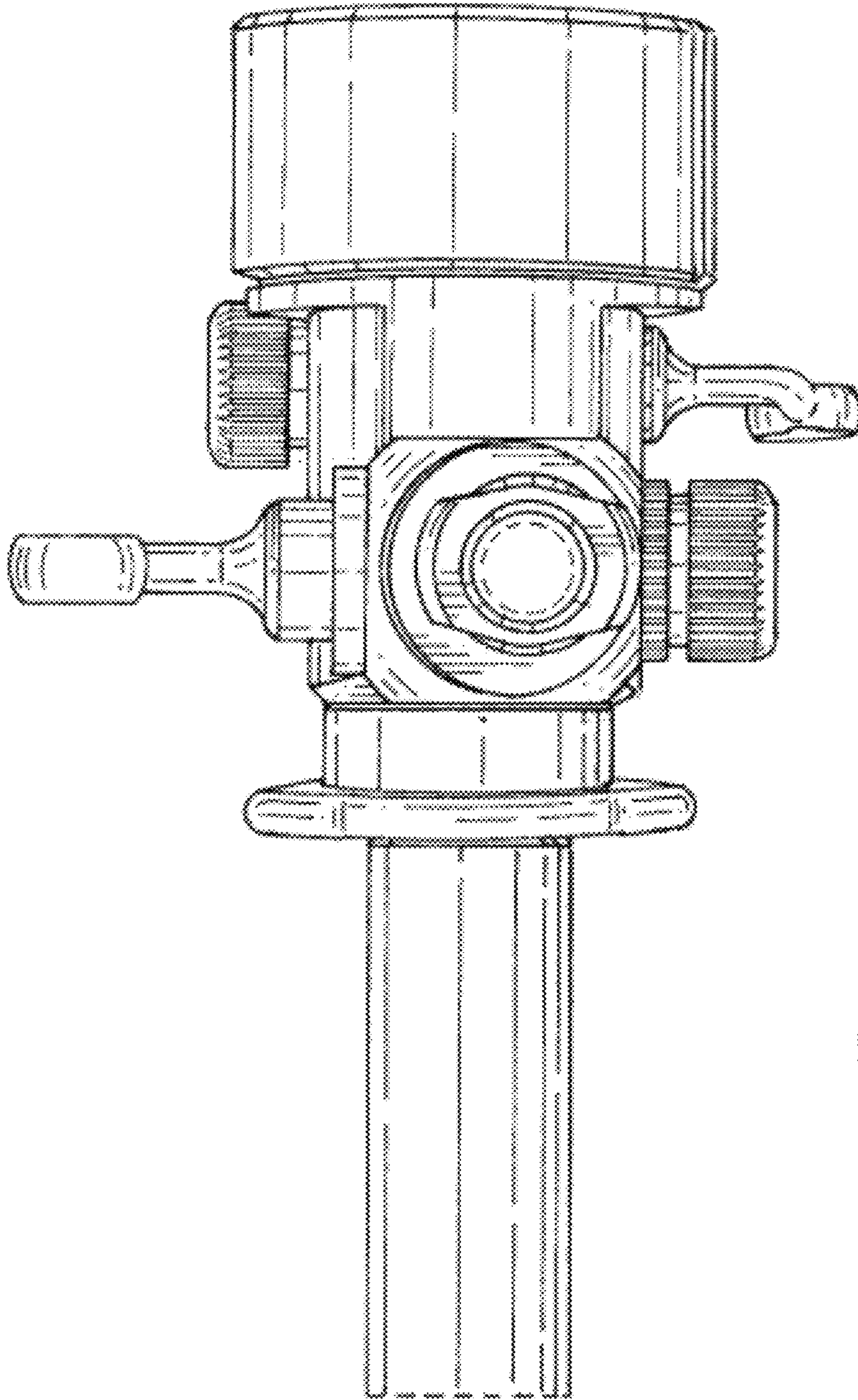


FIG. 3



*FIG. 4*





*FIG. 5*

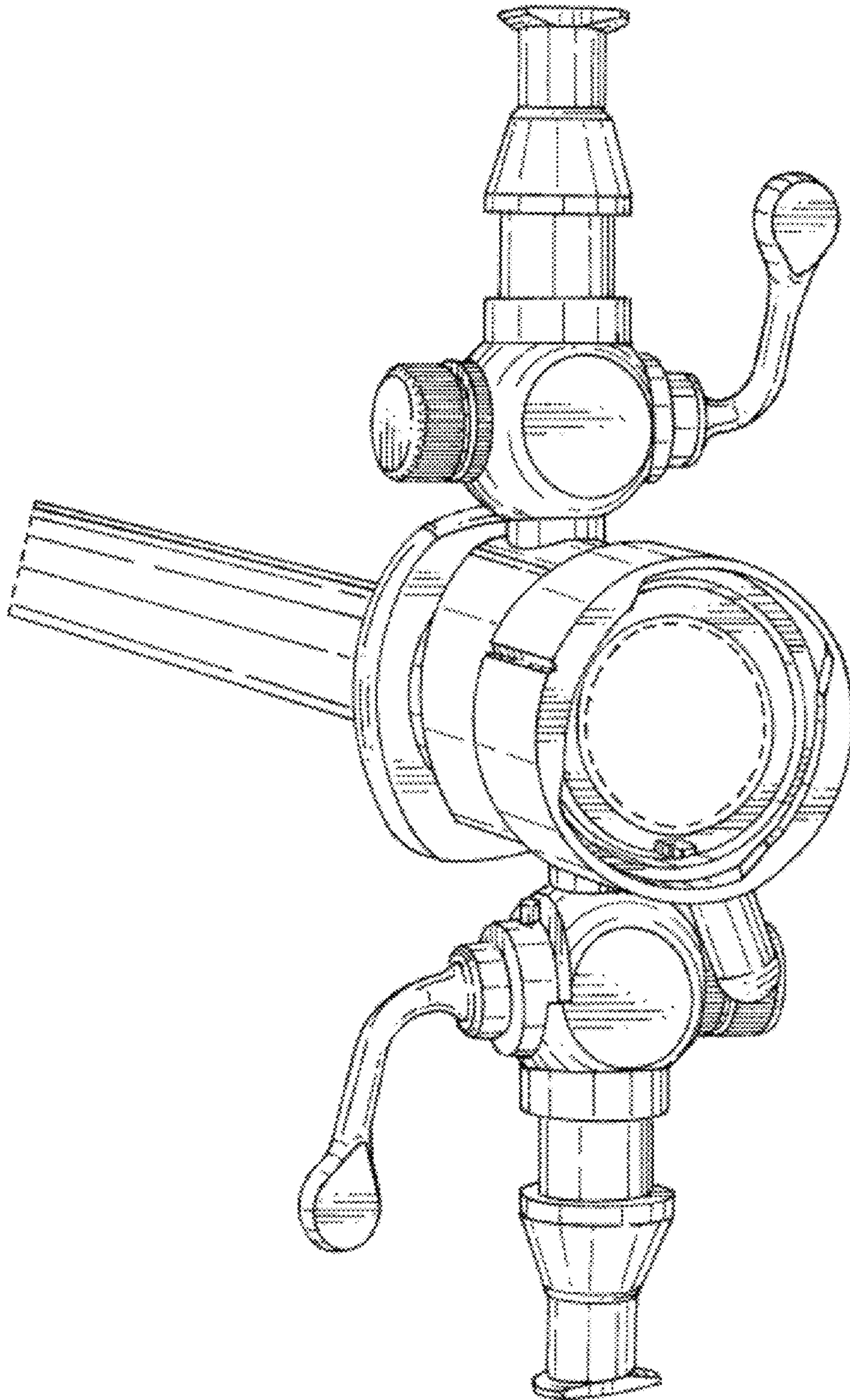


FIG. 6



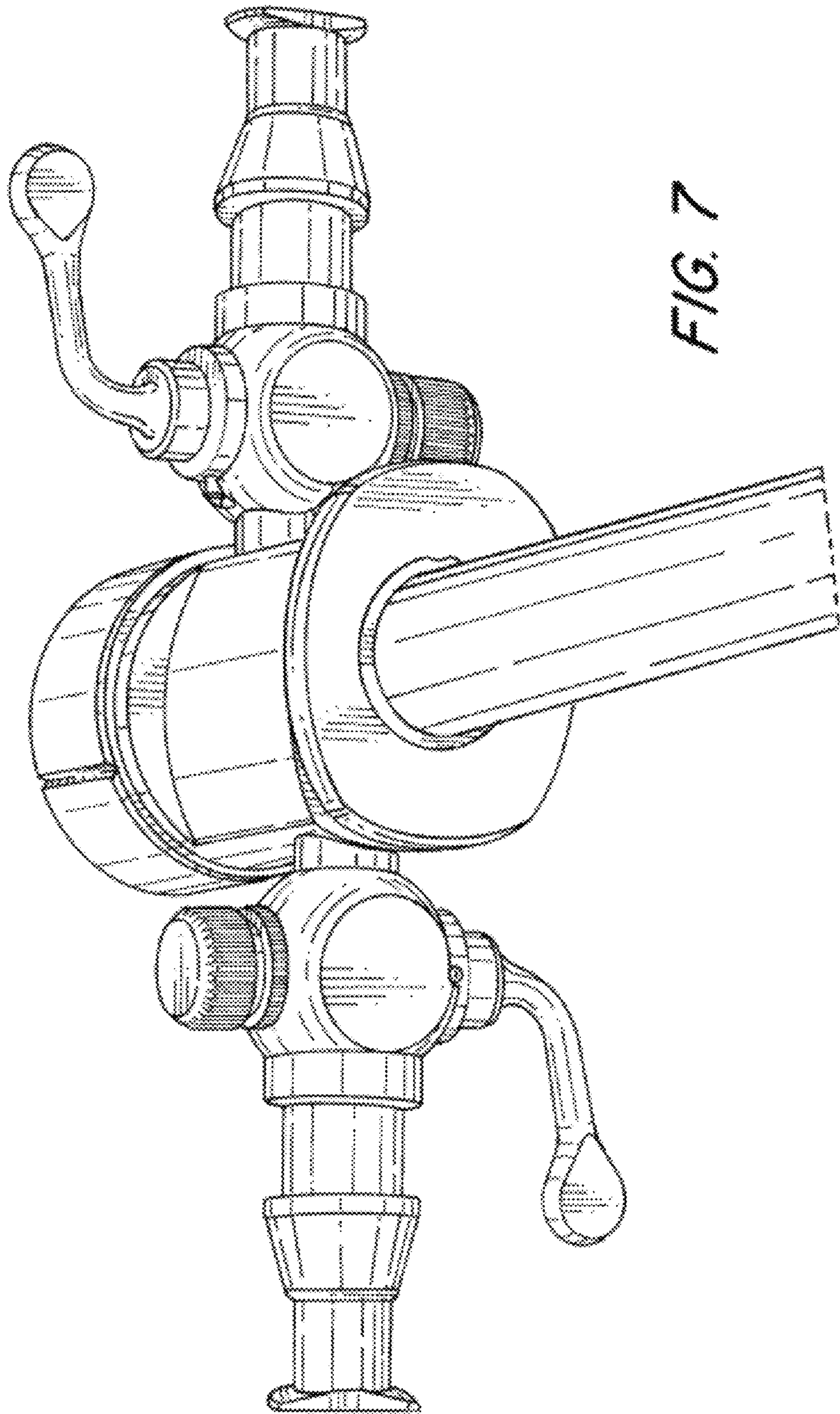


FIG. 7



UNITED STATES PATENT AND TRADEMARK OFFICE  
**CERTIFICATE OF CORRECTION**

PATENT NO. : D664,649 S  
APPLICATION NO. : 29/394993  
DATED : July 31, 2012  
INVENTOR(S) : Wolfram Becker

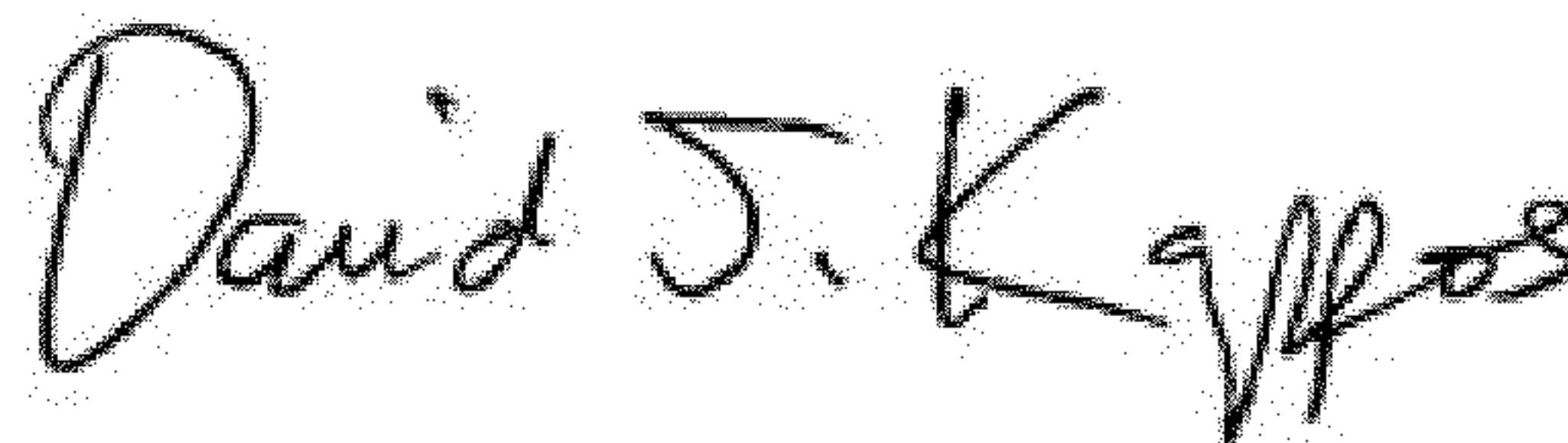
Page 1 of 9

It is certified that error appears in the above-identified patent and that said Letters Patent is hereby corrected as shown below:

Delete Title Page, and replace with new Title Page. (Attached)

The attached sheets 1-7 of drawings include the replacement Figures 1-7 submitted on March 15, 2012 with the Response to Office Action, which was mailed on December 16, 2011. These sheets replace the poor quality Figures 1-7 which were erroneously published with the granted patent.

Signed and Sealed this  
Sixth Day of November, 2012

A handwritten signature in black ink that reads "David J. Kappos". The signature is written in a cursive, slightly slanted style.

David J. Kappos  
*Director of the United States Patent and Trademark Office*

(12) **United States Design Patent**  
**Becker**

(10) **Patent No.:** **US D664,649 S**  
(45) **Date of Patent:** **\*\* Jul. 31, 2012**

(54) **RESECTOSCOPE SHEATH**

(75) Inventor: **Wolfram Becker, Laer (DE)**

(73) Assignee: **Karl Storz GmbH & Co. KG (DE)**

(\*\*) Term: **14 Years**

(21) Appl. No.: **29/394,993**

(22) Filed: **Jun. 23, 2011**

(30) **Foreign Application Priority Data**

Dec. 23, 2010 (EM) ..... 001798331-0011

(51) **LOC (9) Cl.** ..... **24-02**

(52) **U.S. Cl.** ..... **D24/133; D24/137; D24/138**

(58) **Field of Classification Search** ..... **D24/133, D24/137, 138, 146, 147; 600/105, 119, 121; 606/46**

See application file for complete search history.

(56) **References Cited**

**U.S. PATENT DOCUMENTS**

5,445,168	A *	8/1995	Krebs	128/898
D570,482	S *	6/2008	Beltocchi	D24/138
D571,007	S *	6/2008	Rehbein et al.	D24/133
D573,257	S *	7/2008	Rehbein et al.	D24/133
D580,051	S *	11/2008	Rehbein et al.	D24/133
D594,120	S *	6/2009	Berberich et al.	D24/133
D594,121	S *	6/2009	Berberich et al.	D24/133
D596,291	S *	7/2009	Berberich et al.	D24/133
D615,200	S *	5/2010	Hahn et al.	D24/138

2003/0130575	A1 *	7/2003	Desai	600/417
2006/0089527	A1 *	4/2006	Doll et al.	600/105
2009/0018394	A1 *	1/2009	Berberich et al.	600/114
2010/0331621	A1 *	12/2010	St. George et al.	600/105

**OTHER PUBLICATIONS**

Storz—Die Welt Der Endoskopie—Urologie; p. 42—Resektoskopschäfte; p. 44—Resektoskopschäfte mit Feststehendem Innenschaft. and p. 45—Resektoskopschäfte mit Drehbarem Innenschaft; 2008 (4 pages total).

\* cited by examiner

*Primary Examiner* — Bridget L. Eland

(74) *Attorney, Agent, or Firm* — St. Onge Steward Johnston & Reens LLC

(57) **CLAIM**

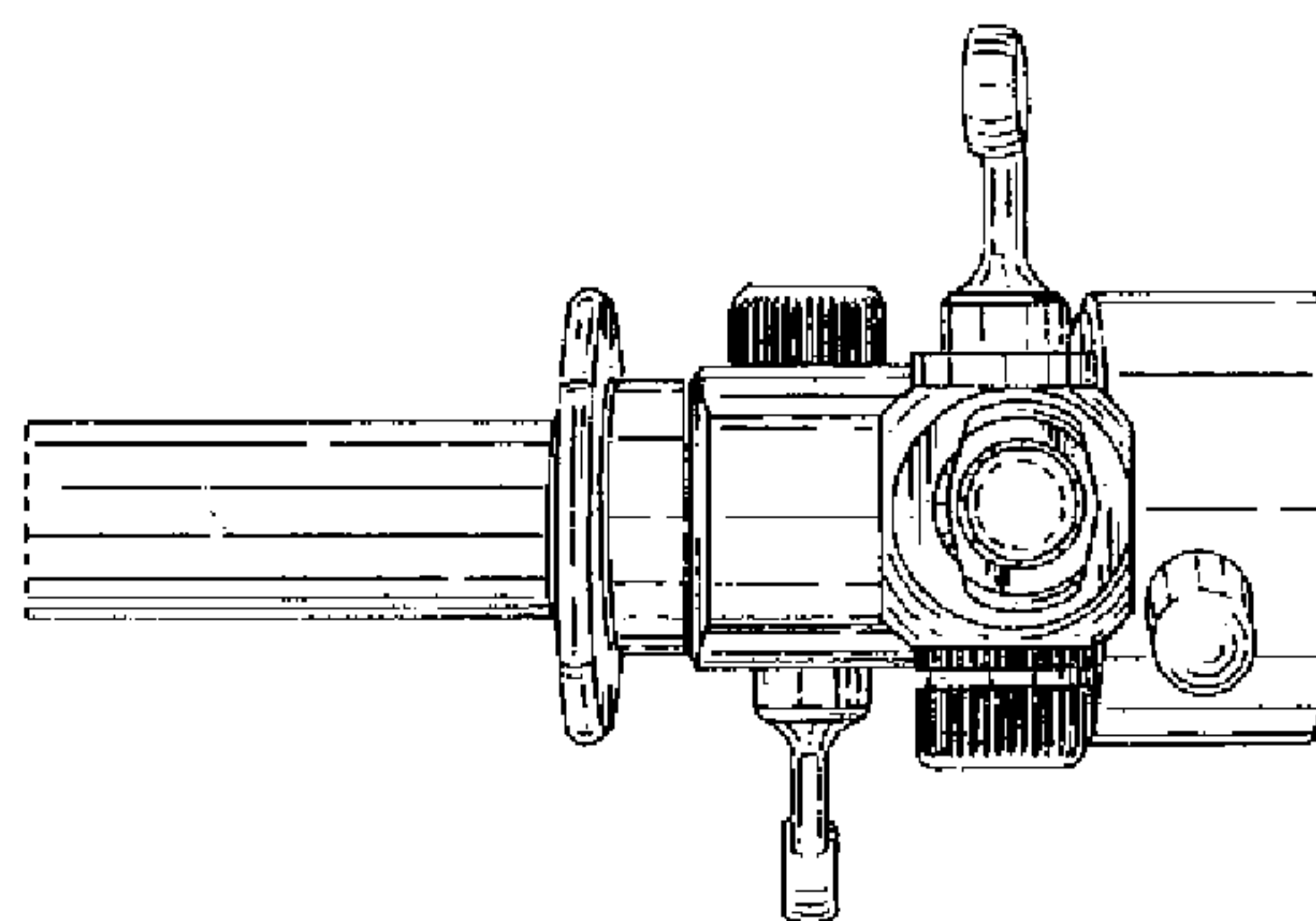
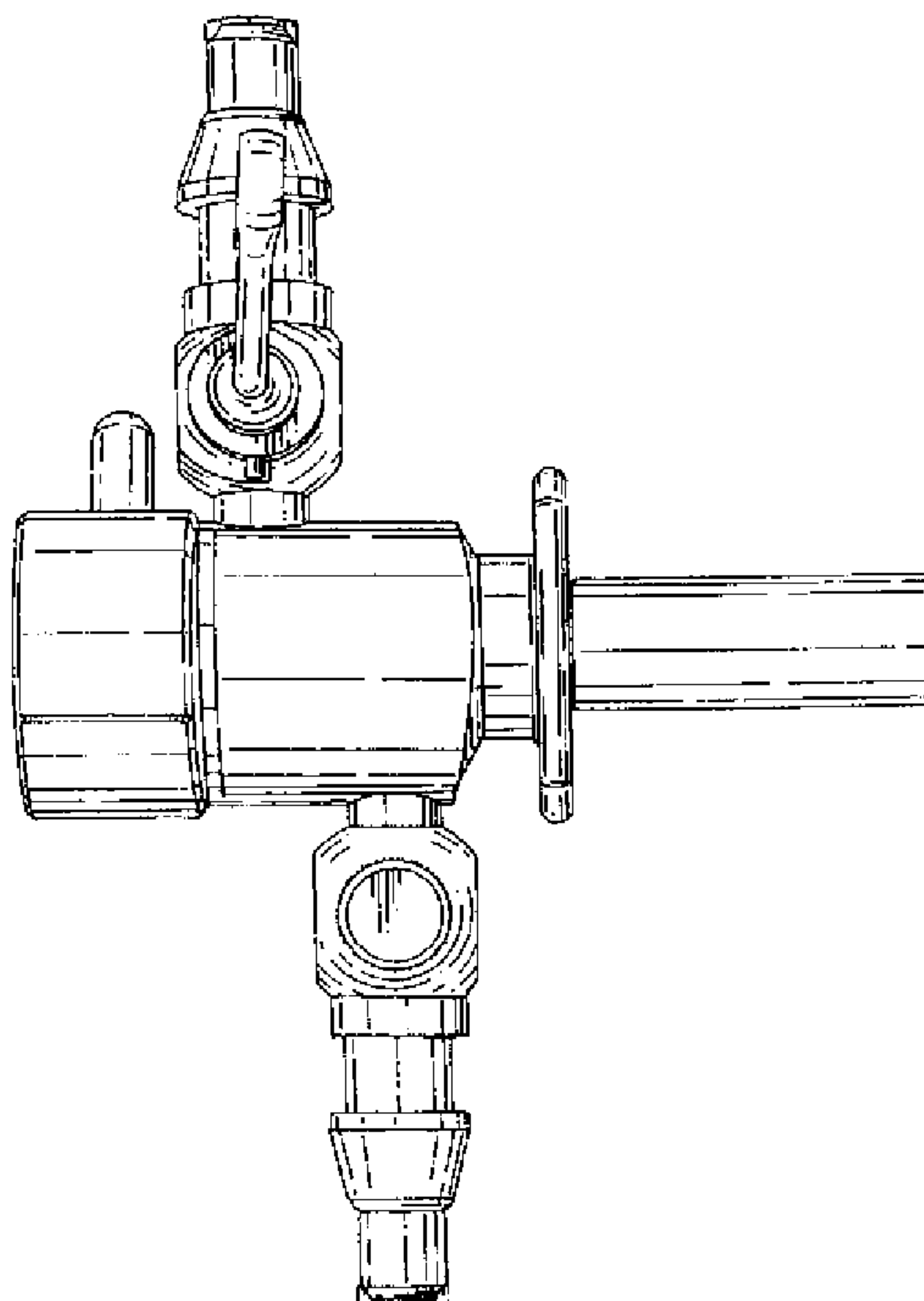
The ornamental design for a resectoscope sheath, as shown and described.

**DESCRIPTION**

FIG. 1 is a top right side perspective view of a resectoscope sheath in accordance with the new design; FIG. 2 is a top isometric view thereof; FIG. 3 is a bottom isometric view thereof; FIG. 4 is a right side isometric view thereof; FIG. 5 is a left side isometric view thereof; FIG. 6 is front isometric view thereof; and, FIG. 7 is rear isometric view thereof.

The broken lines shown in FIGS. 1-7 represent the bounds of the claimed design and form no part of the claimed design.

**1 Claim, 7 Drawing Sheets**





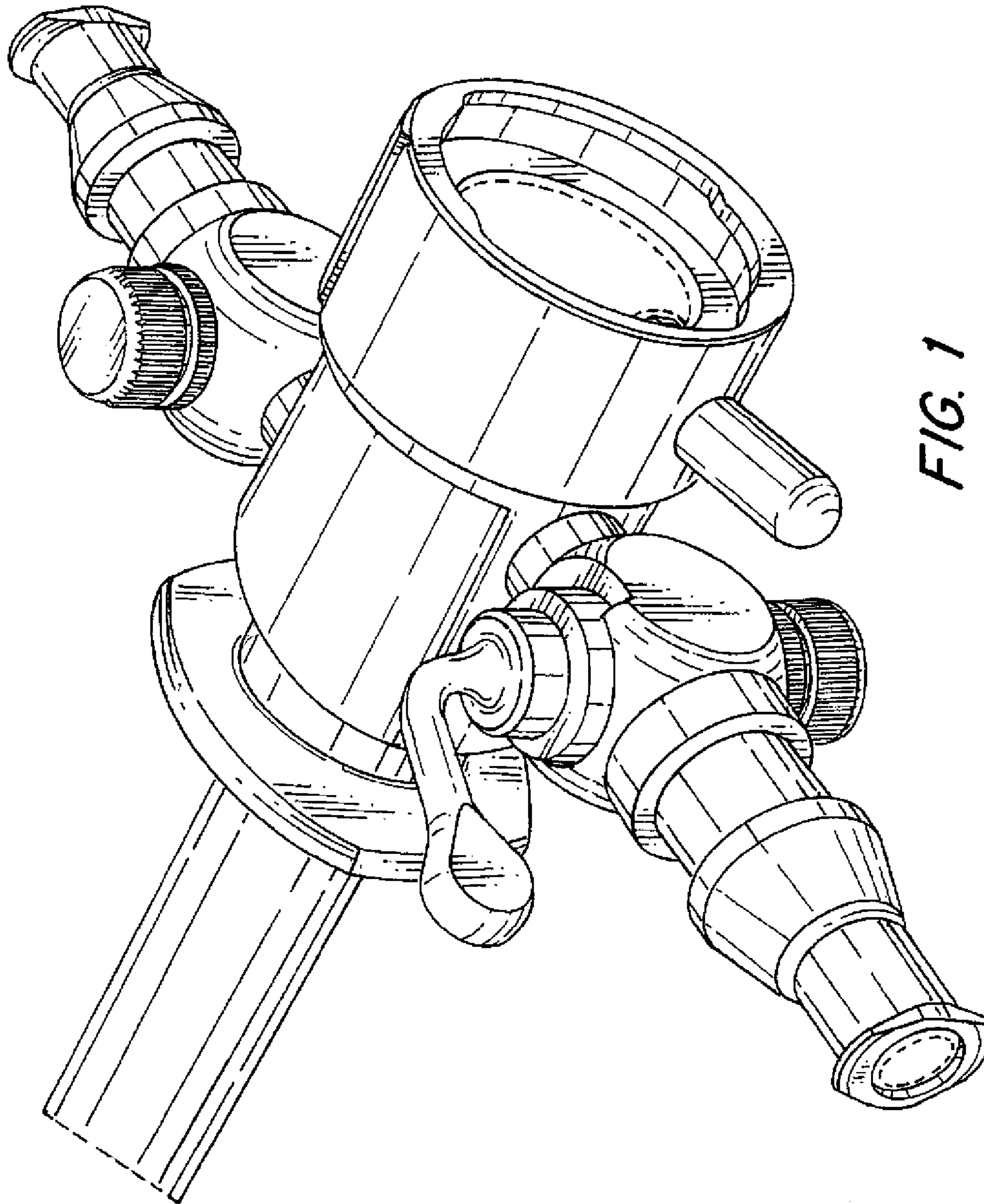
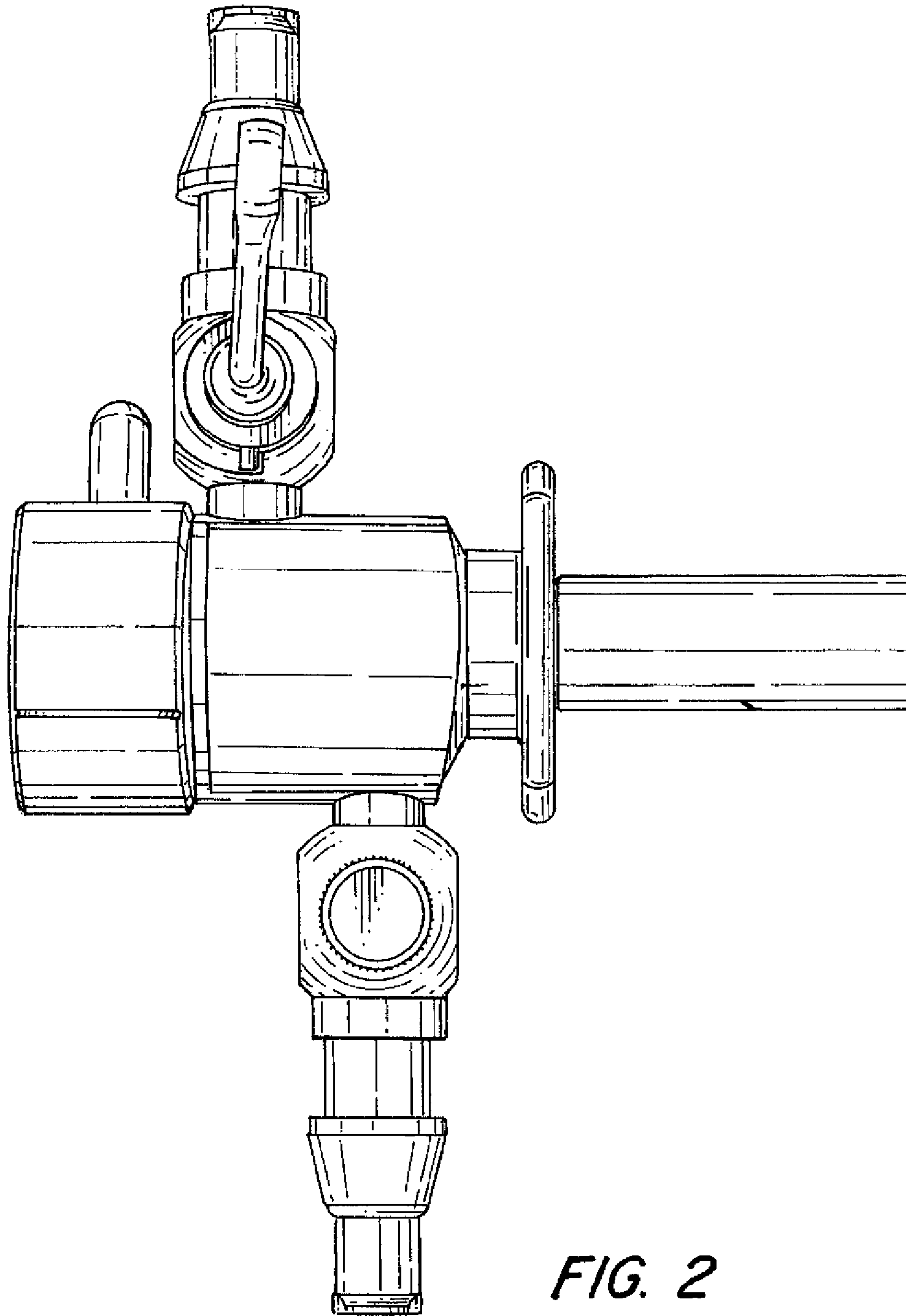
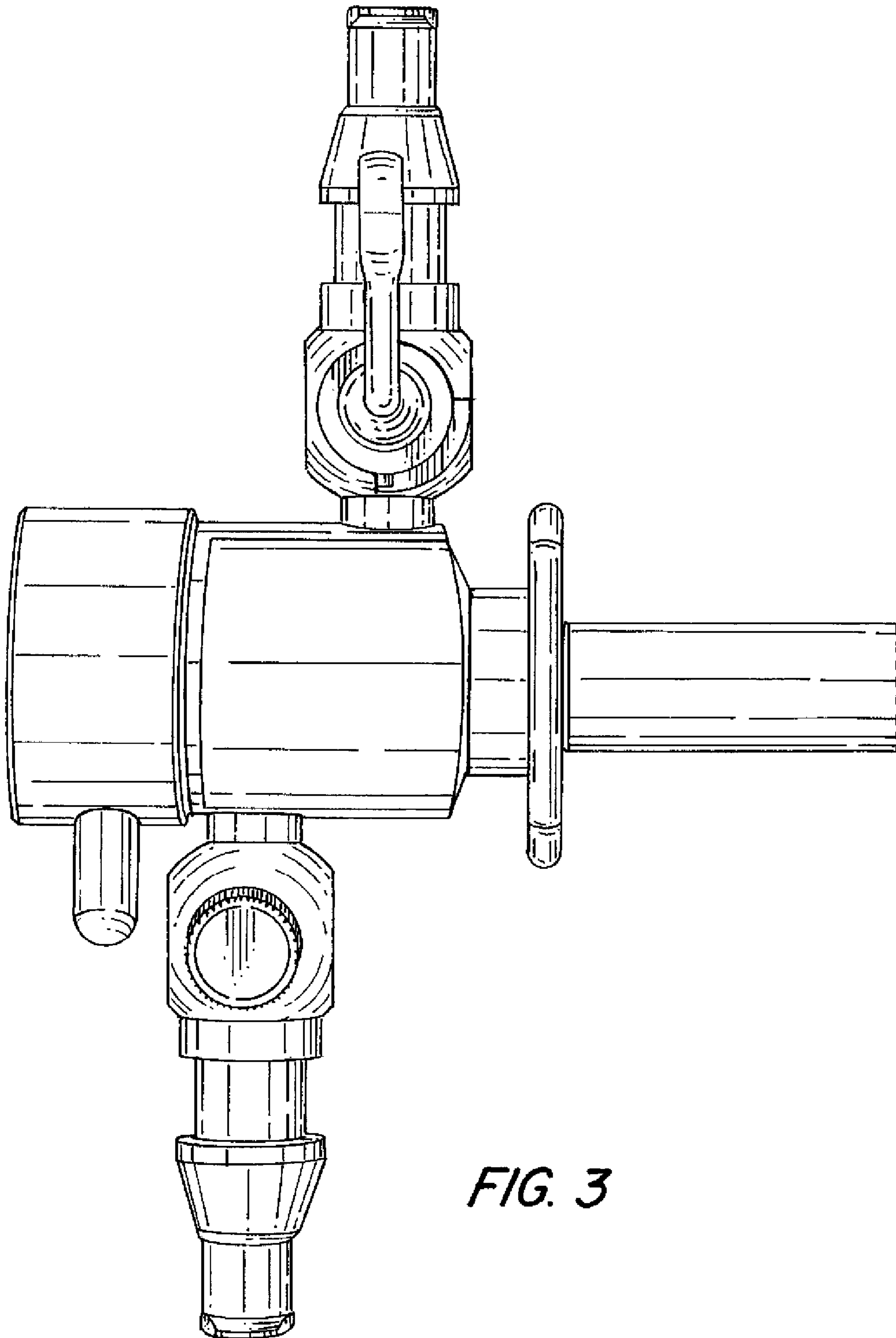


FIG. 1



*FIG. 2*





*FIG. 3*

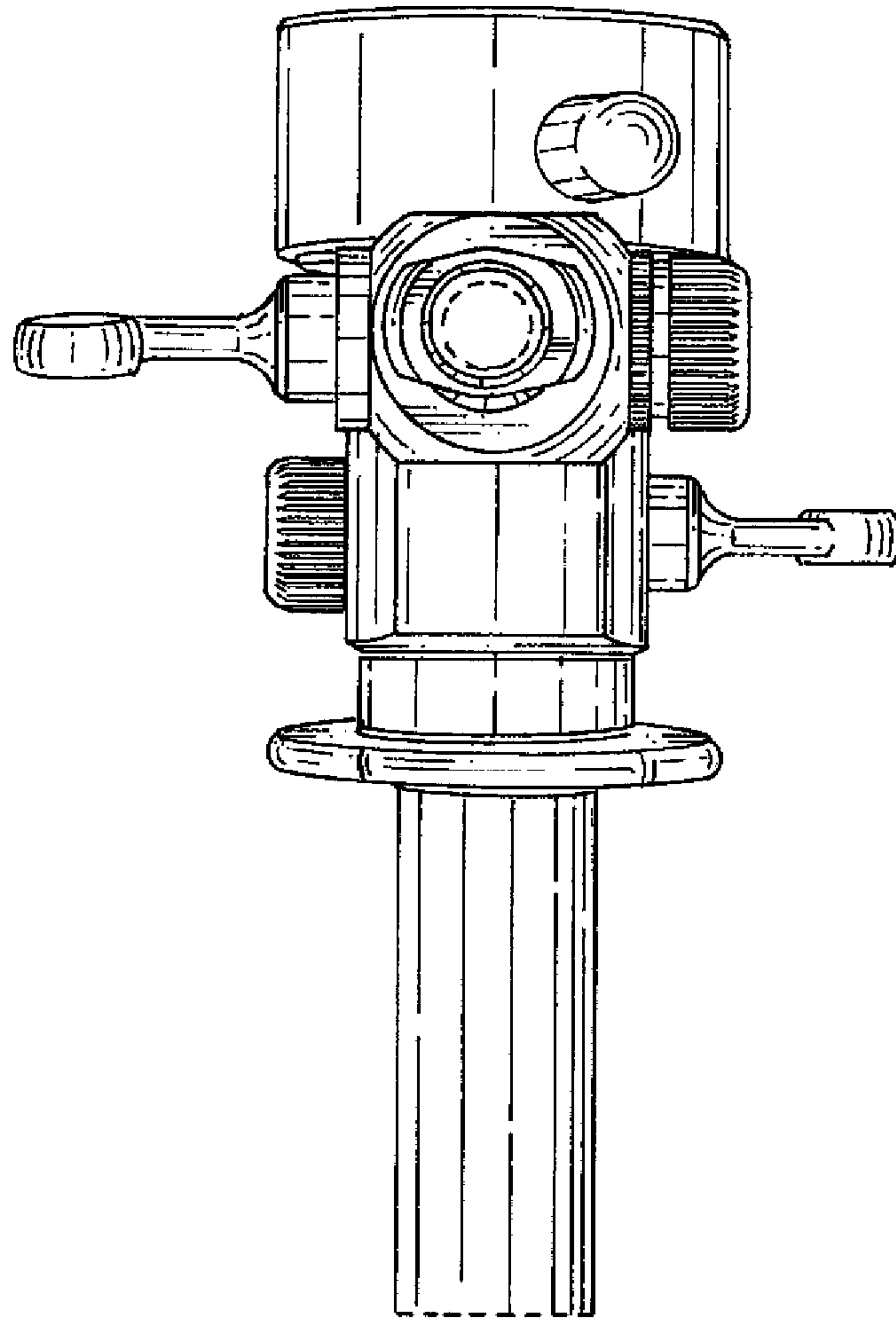
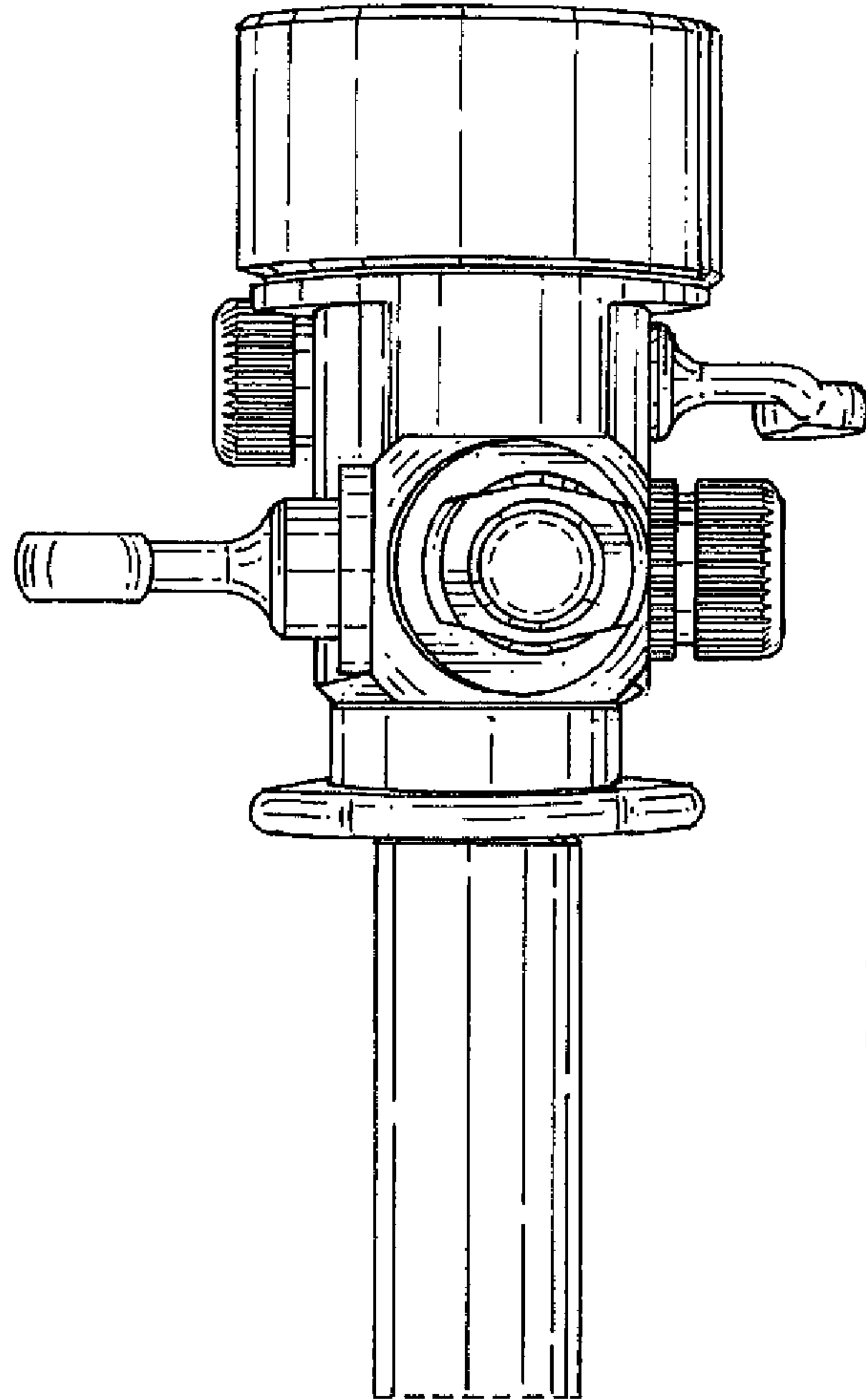
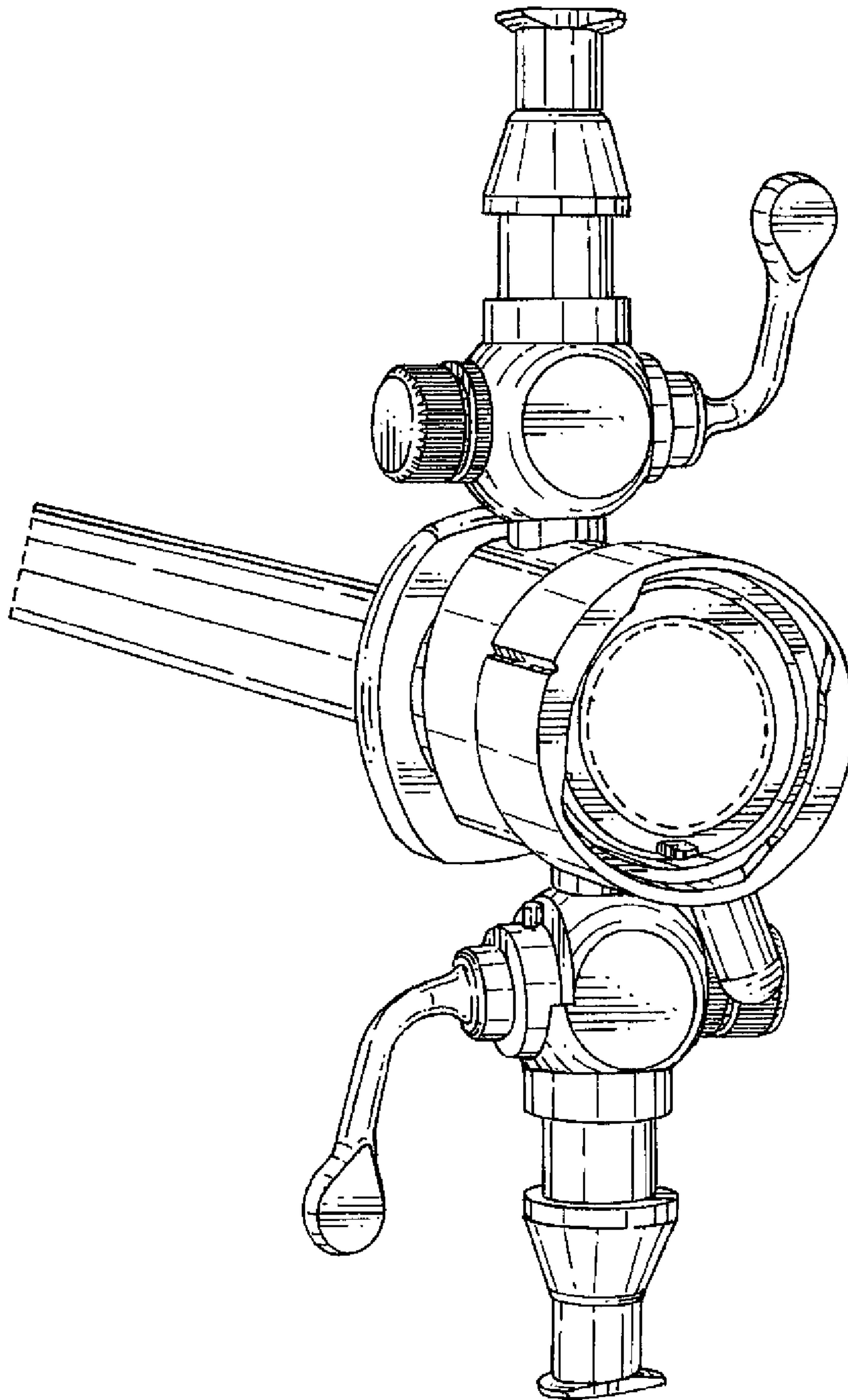


FIG. 4





*FIG. 5*



*FIG. 6*



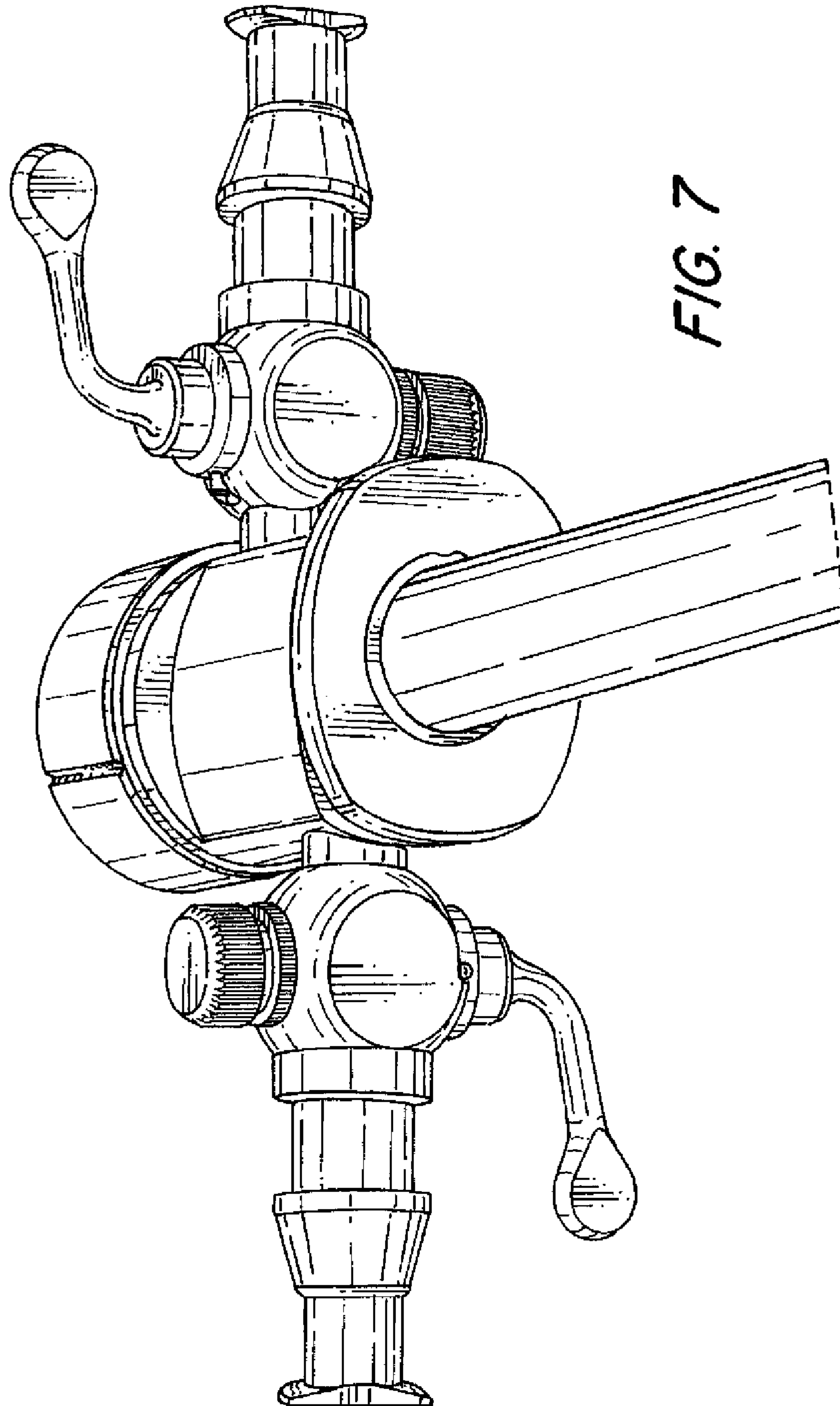


FIG. 7