

US00D664646S

(12) **United States Design Patent**
Cuschieri et al.

(10) **Patent No.:** **US D664,646 S**
(45) **Date of Patent:** **** Jul. 31, 2012**

(54) **NEEDLE HOLDER**

(75) Inventors: **Alfred Cuschieri**, St. Andrews Fife (GB); **Martin Blocher**, Stockach-Espasingen (DE); **Sven Schneider**, Tuttlingen (DE)

(73) Assignee: **Karl Storz GmbH & Co. KG** (DE)

(**) Term: **14 Years**

(21) Appl. No.: **29/391,981**

(22) Filed: **May 16, 2011**

(30) **Foreign Application Priority Data**

Nov. 15, 2010 (EM) 001781360-0010

(51) **LOC (9) Cl.** **24-02**

(52) **U.S. Cl.** **D24/133; D24/143; D24/147**

(58) **Field of Classification Search** D24/133, D24/137, 138, 143, 144, 145, 146, 147, 148, D24/149; D8/51, 57, 107; 606/1, 130, 139, 606/148, 174, 175, 205; 600/104
See application file for complete search history.

(56) **References Cited**

U.S. PATENT DOCUMENTS

5,454,819	A *	10/1995	Knoepfler	606/147
6,063,096	A *	5/2000	Boebel et al.	606/148
D571,914	S *	6/2008	Bacher	D24/143
D583,472	S *	12/2008	Koh	D24/143
D598,101	S *	8/2009	Keckstein et al.	D24/143
D605,288	S *	12/2009	Brostoff et al.	D24/133
D614,299	S *	4/2010	Koh et al.	D24/133
D617,899	S *	6/2010	Koh et al.	D24/133

D635,258	S *	3/2011	Schneider	D24/143
2007/0016248	A1 *	1/2007	Cuschieri et al.	606/205
2009/0082795	A1 *	3/2009	Blocher et al.	606/167
2010/0324593	A1 *	12/2010	Schneider	606/208
2011/0190794	A1 *	8/2011	Dingler et al.	606/147

OTHER PUBLICATIONS

Rassweiler, et al.; "Extraperitoneal Retrograde Laparoscopic Radical Prostatectomy—The Heilbronn Technique in 2011—The Concept for Restoring Early Continence."; 2011; 3 pages.

* cited by examiner

Primary Examiner — Bridget L Eland

(74) *Attorney, Agent, or Firm* — St. Onge Steward Johnston & Reens LLC

(57) **CLAIM**

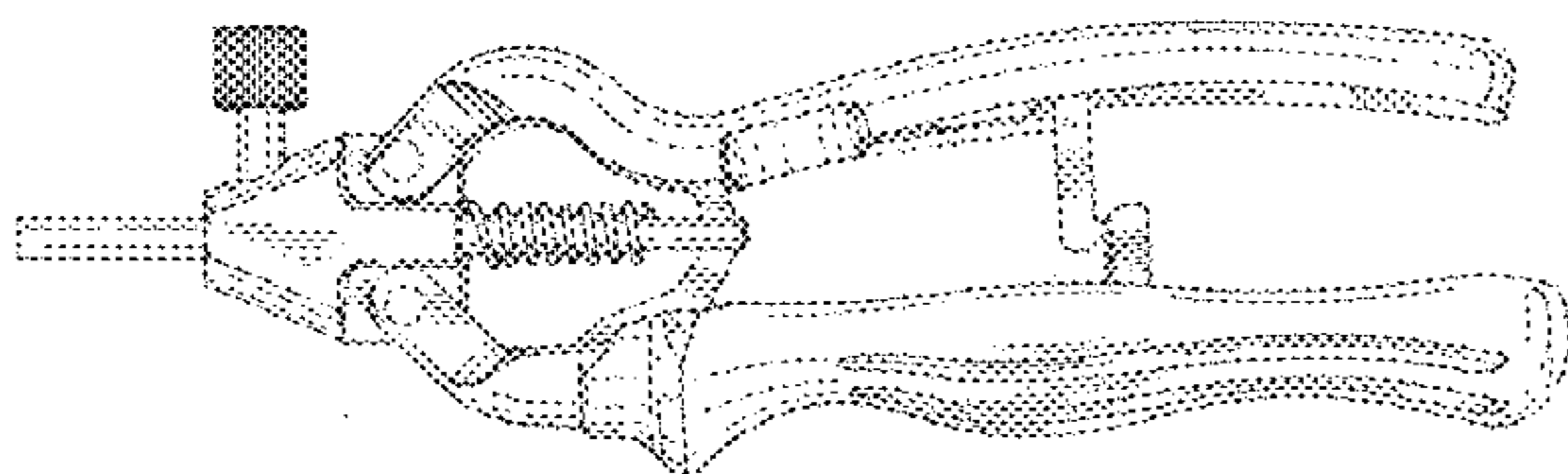
The ornamental design for a needle holder, as shown and described.

DESCRIPTION

FIG. 1 is a left side isometric view of a needle holder in accordance with the new design;
FIG. 2 is a left side elevation view thereof;
FIG. 3 is a right side elevation view thereof;
FIG. 4 is a top isometric view thereof; and
FIG. 5 is a bottom isometric view thereof;
FIG. 6 is a front isometric view thereof; and,
FIG. 7 is a rear isometric view thereof.

The broken lines shown in FIGS. 1-7 immediately adjacent the shaded areas represent the bounds of the claimed design, while all other broken lines shown in FIGS. 1-7 are directed to environments and are for illustrative purposes only; the broken lines form no part of the claimed design.

1 Claim, 7 Drawing Sheets



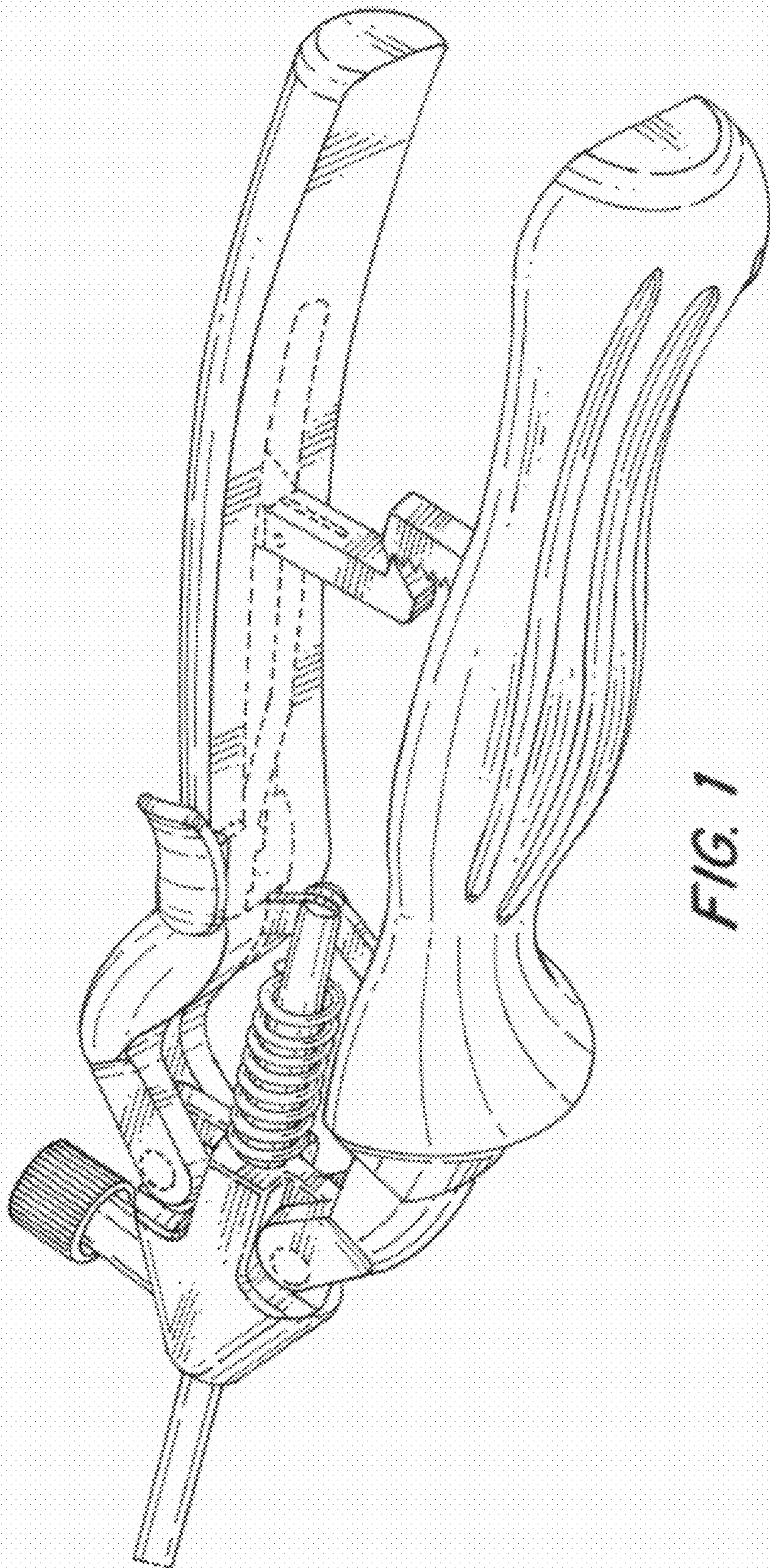


FIG. 1

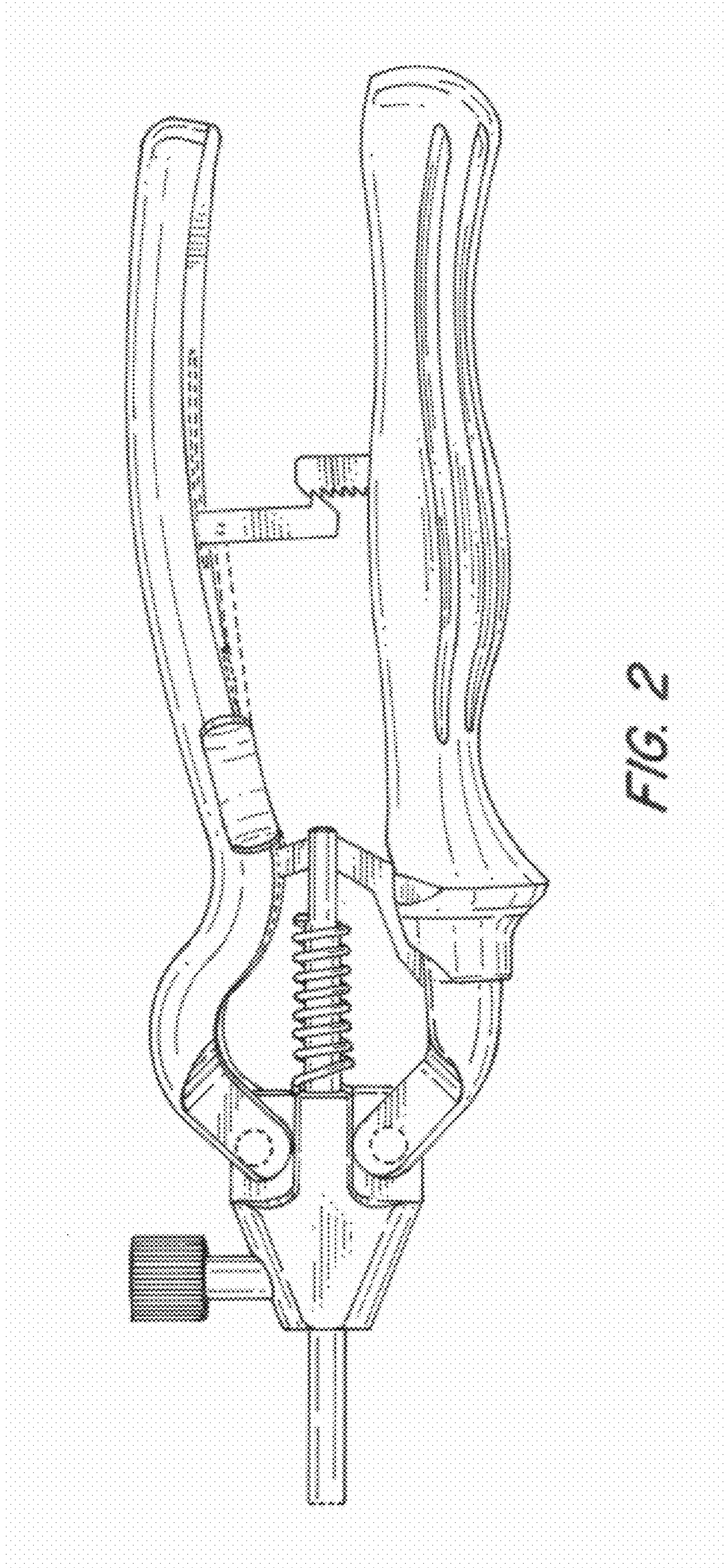


FIG. 2

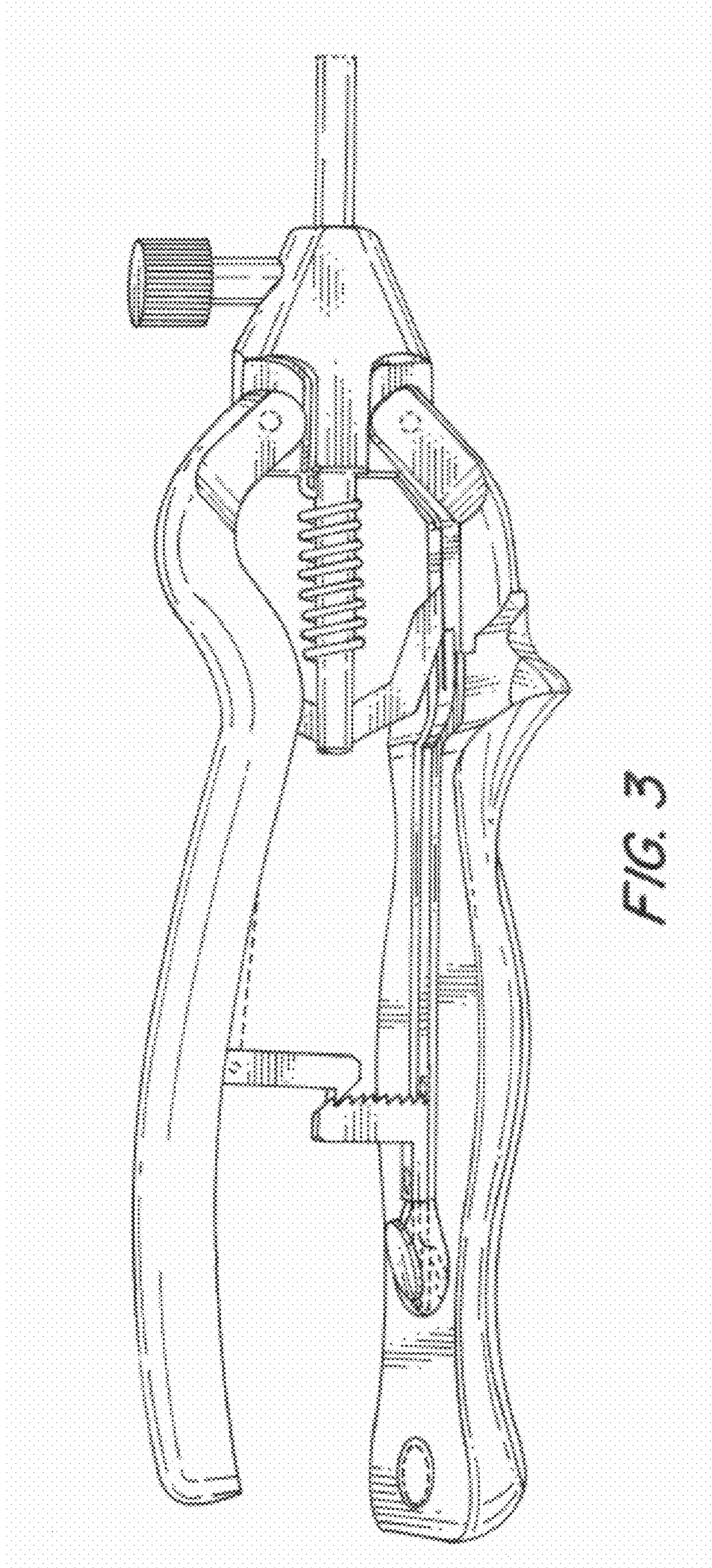


FIG. 3

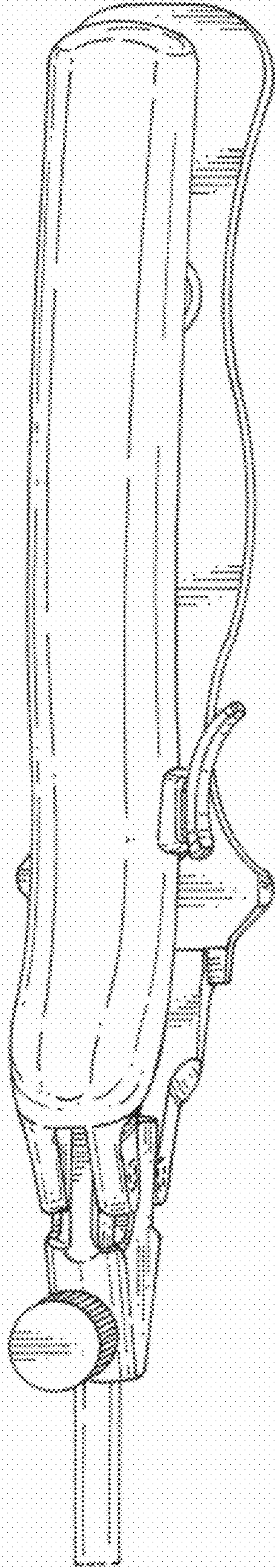


FIG. 4

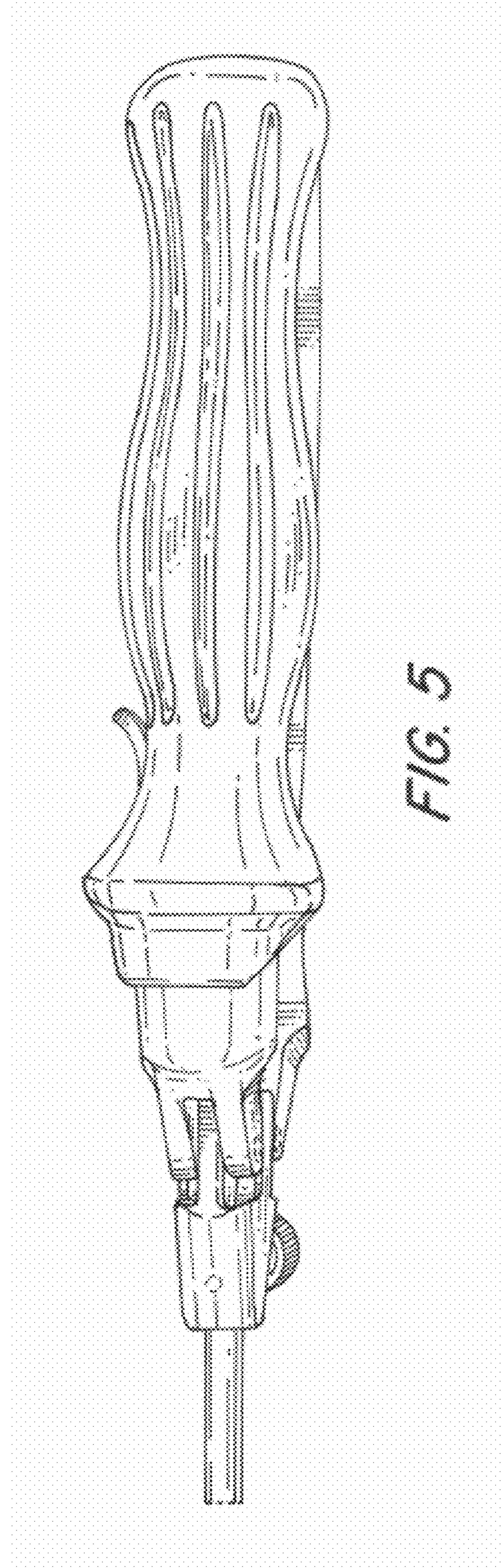
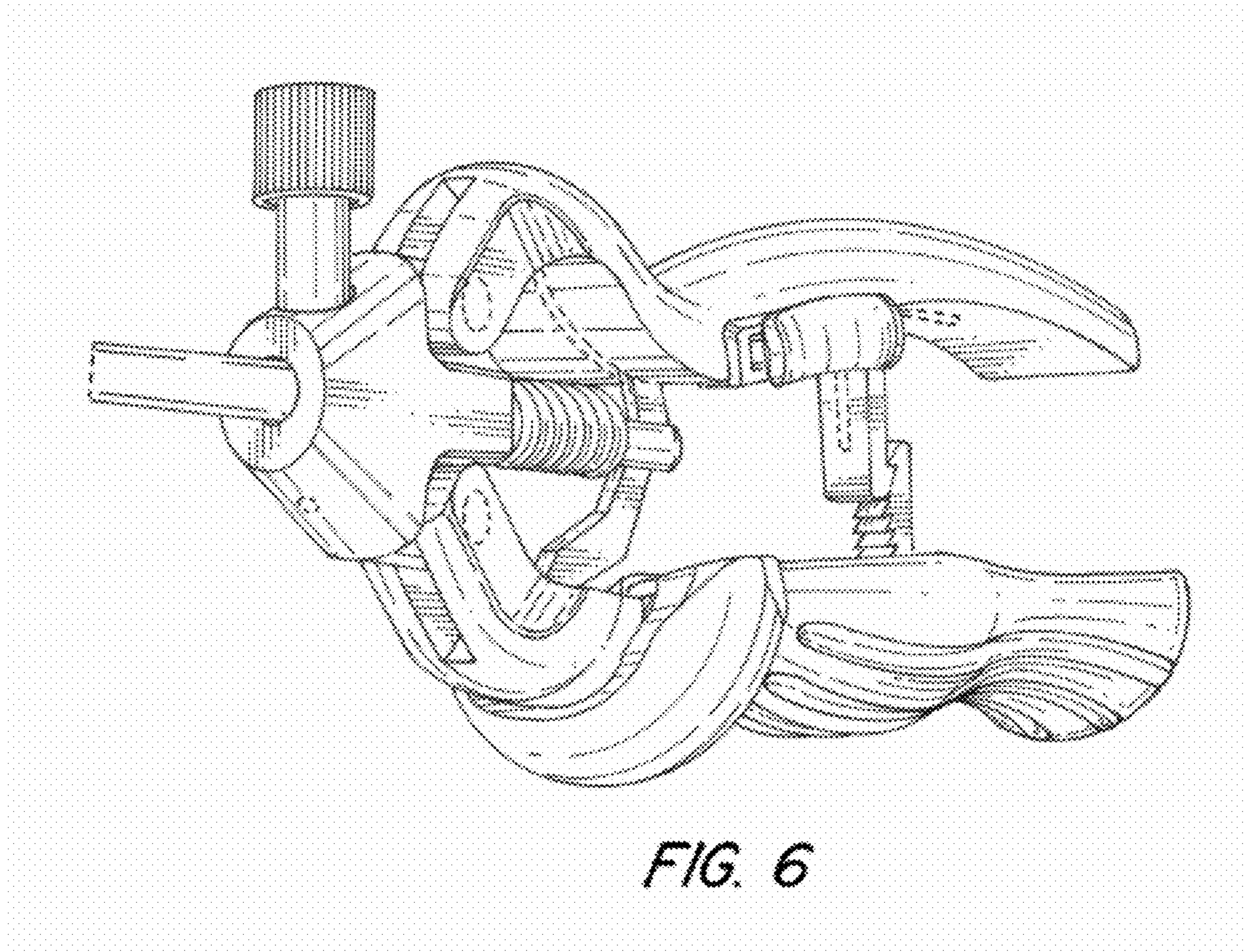
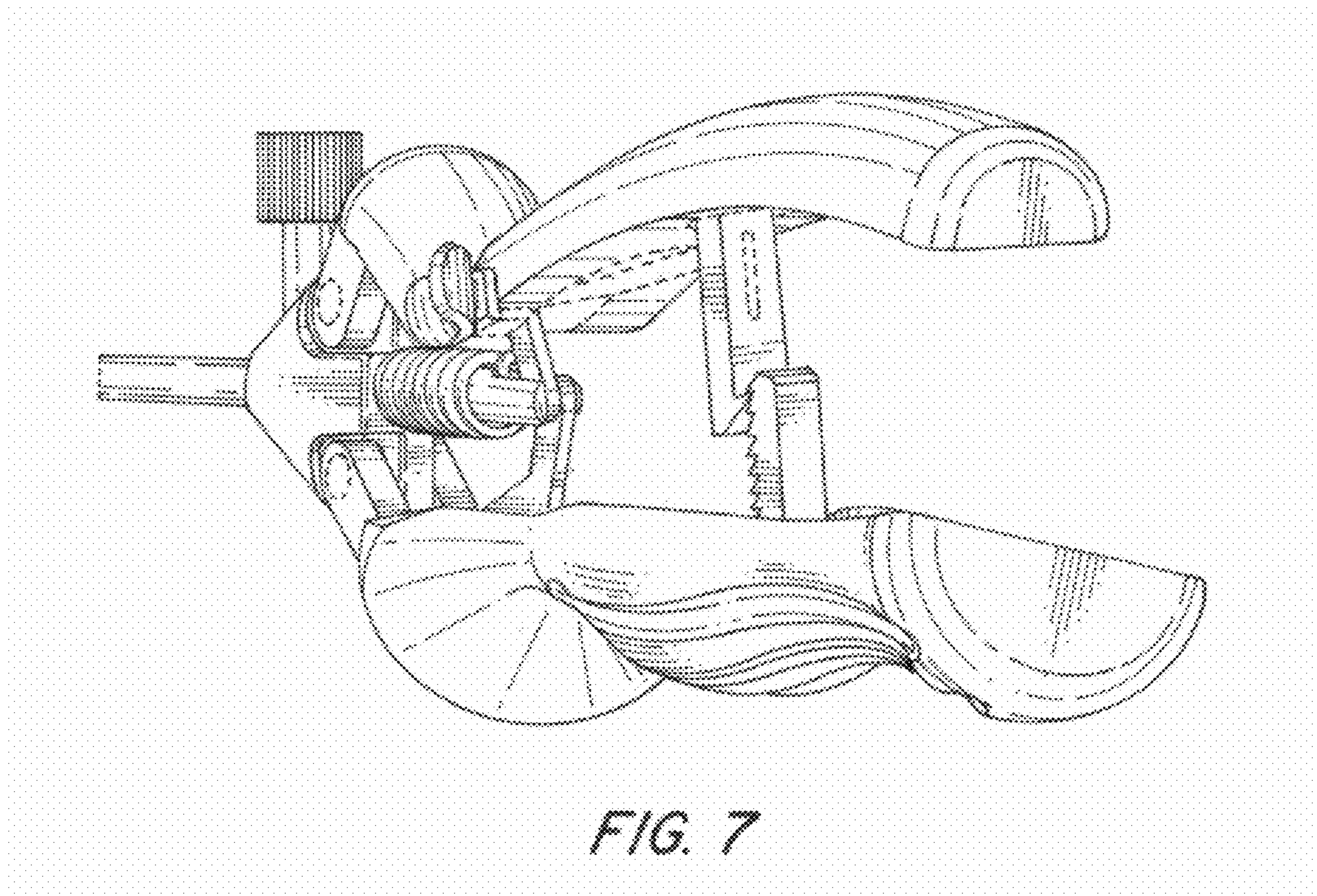


FIG. 5





UNITED STATES PATENT AND TRADEMARK OFFICE
CERTIFICATE OF CORRECTION

PATENT NO. : D664,646 S
APPLICATION NO. : 29/391981
DATED : July 31, 2012
INVENTOR(S) : Alfred Cuschieri et al.

Page 1 of 9

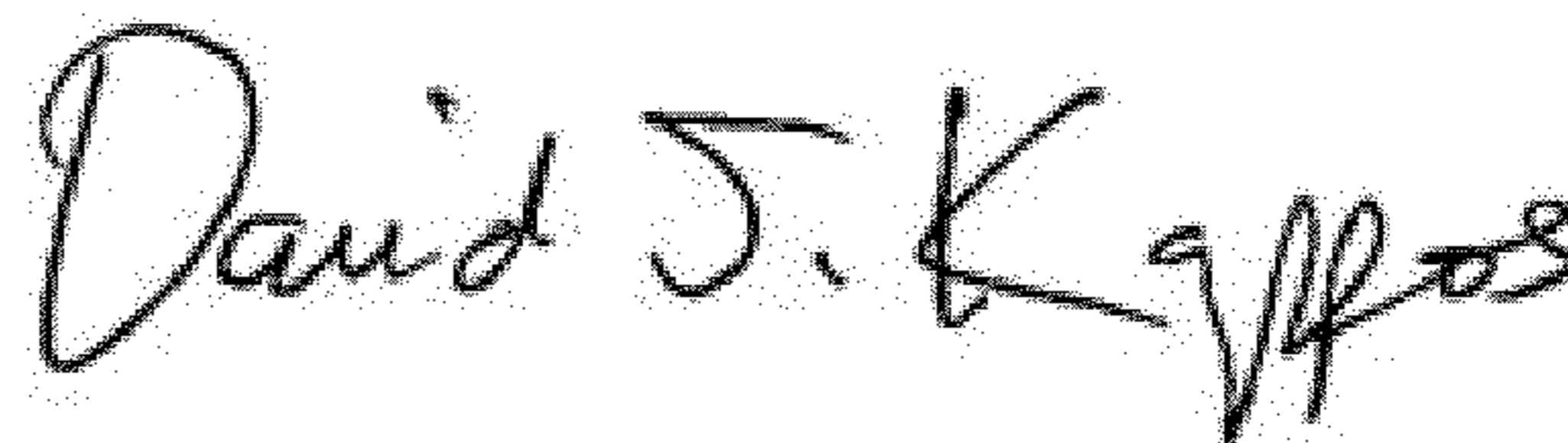
It is certified that error appears in the above-identified patent and that said Letters Patent is hereby corrected as shown below:

The title page should be deleted and substitute therefor the attached title page.

Drawings:

Delete drawing sheets 1-7 and substitute therefor the drawing sheets consisting of Figs. 1-7 as shown on the attached pages.

Signed and Sealed this
Sixth Day of November, 2012

A handwritten signature in black ink that reads "David J. Kappos". The signature is written in a cursive, slightly slanted style.

David J. Kappos
Director of the United States Patent and Trademark Office

(12) **United States Design Patent** (10) **Patent No.:** **US D664,646 S**
Cuschieri et al. (45) **Date of Patent:** **** Jul. 31, 2012**

(54) **NEEDLE HOLDER**

(75) Inventors: **Alfred Cuschieri**, St. Andrews Fife (GB); **Martin Blocher**, Stockach-Espasingen (DE); **Sven Schneider**, Tuttlingen (DE)

(73) Assignee: **Karl Storz GmbH & Co. KG** (DE)

(**) Term: **14 Years**

(21) Appl. No.: **29/391,981**

(22) Filed: **May 16, 2011**

(30) **Foreign Application Priority Data**

Nov. 15, 2010 (EM) 001781360-0010

(51) **LOC (9) Cl.** **24-02**

(52) **U.S. Cl.** **D24/133; D24/143; D24/147**

(58) **Field of Classification Search** **D24/133, D24/137, 138, 143, 144, 145, 146, 147, 148, D24/149; D8/51, 57, 107; 606/1, 130, 139, 606/148, 174, 175, 205; 600/104**

See application file for complete search history.

(56) **References Cited**

U.S. PATENT DOCUMENTS

5,454,819	A *	10/1995	Knoepfler	606/147
6,063,096	A *	5/2000	Boebel et al.	606/148
D571,914	S *	6/2008	Bacher	D24/143
D583,472	S *	12/2008	Koh	D24/143
D598,101	S *	8/2009	Keckstein et al.	D24/143
D605,288	S *	12/2009	Brostoff et al.	D24/133
D614,299	S *	4/2010	Koh et al.	D24/133
D617,899	S *	6/2010	Koh et al.	D24/133

D635,258	S *	3/2011	Schneider	D24/143
2007/0016248	A1 *	1/2007	Cuschieri et al.	606/205
2009/0082795	A1 *	3/2009	Blocher et al.	606/167
2010/0324593	A1 *	12/2010	Schneider	606/208
2011/0190794	A1 *	8/2011	Dingler et al.	606/147

OTHER PUBLICATIONS

Rassweiler, et al.; "Extraperitoneal Retrograde Laparoscopic Radical Prostatectomy—The Heilbronn Technique in 2011—The Concept for Restoring Early Continence."; 2011; 3 pages.

* cited by examiner

Primary Examiner -- Bridget L. Eland

(74) *Attorney, Agent, or Firm* -- St. Onge Steward Johnston & Reens LLC

(57) **CLAIM**

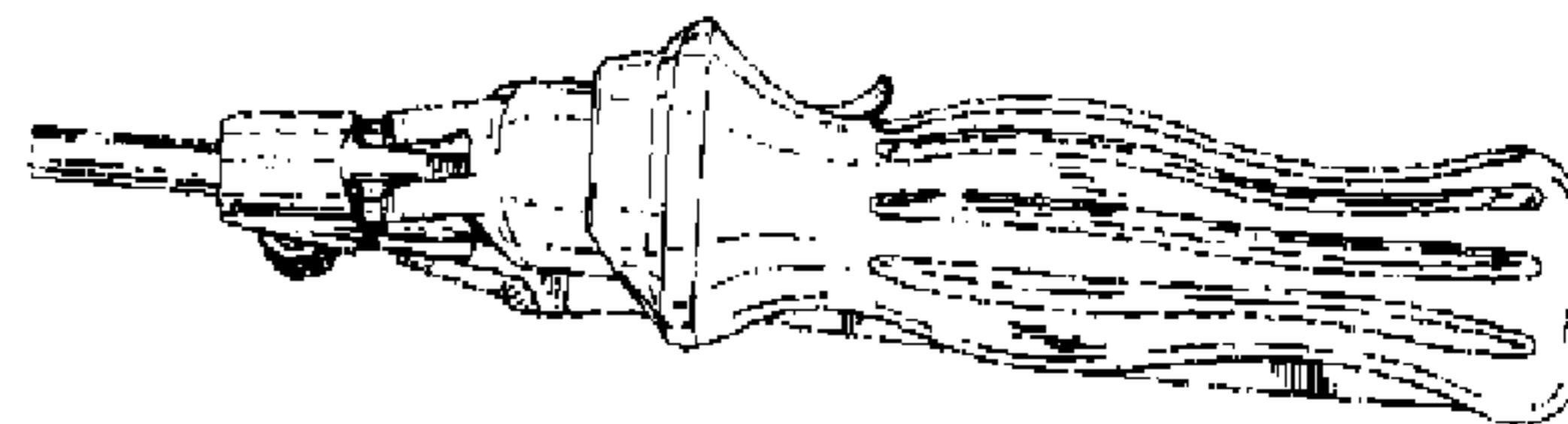
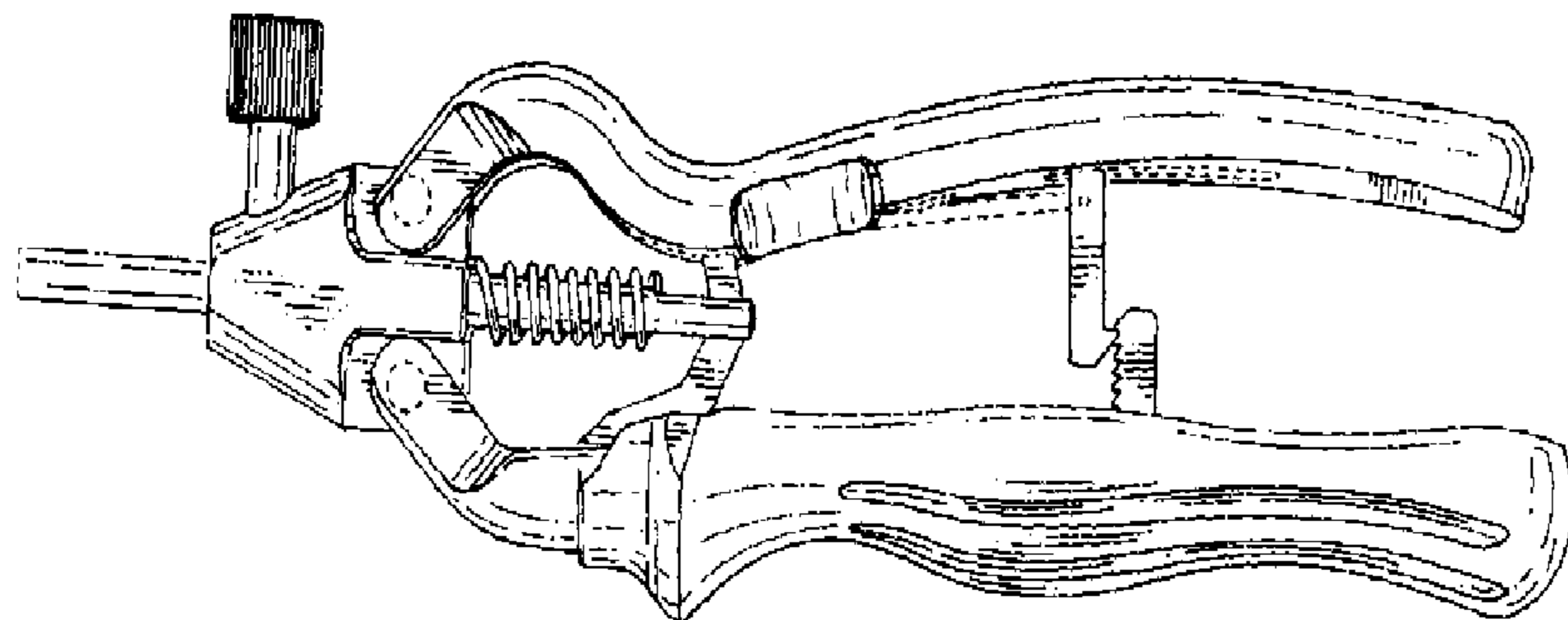
The ornamental design for a needle holder, as shown and described.

DESCRIPTION

FIG. 1 is a left side isometric view of a needle holder in accordance with the new design;
 FIG. 2 is a left side elevation view thereof;
 FIG. 3 is a right side elevation view thereof;
 FIG. 4 is a top isometric view thereof; and
 FIG. 5 is a bottom isometric view thereof;
 FIG. 6 is a front isometric view thereof; and
 FIG. 7 is a rear isometric view thereof.

The broken lines shown in FIGS. 1-7 immediately adjacent the shaded areas represent the bounds of the claimed design, while all other broken lines shown in FIGS. 1-7 are directed to environments and are for illustrative purposes only; the broken lines form no part of the claimed design.

1 Claim, 7 Drawing Sheets



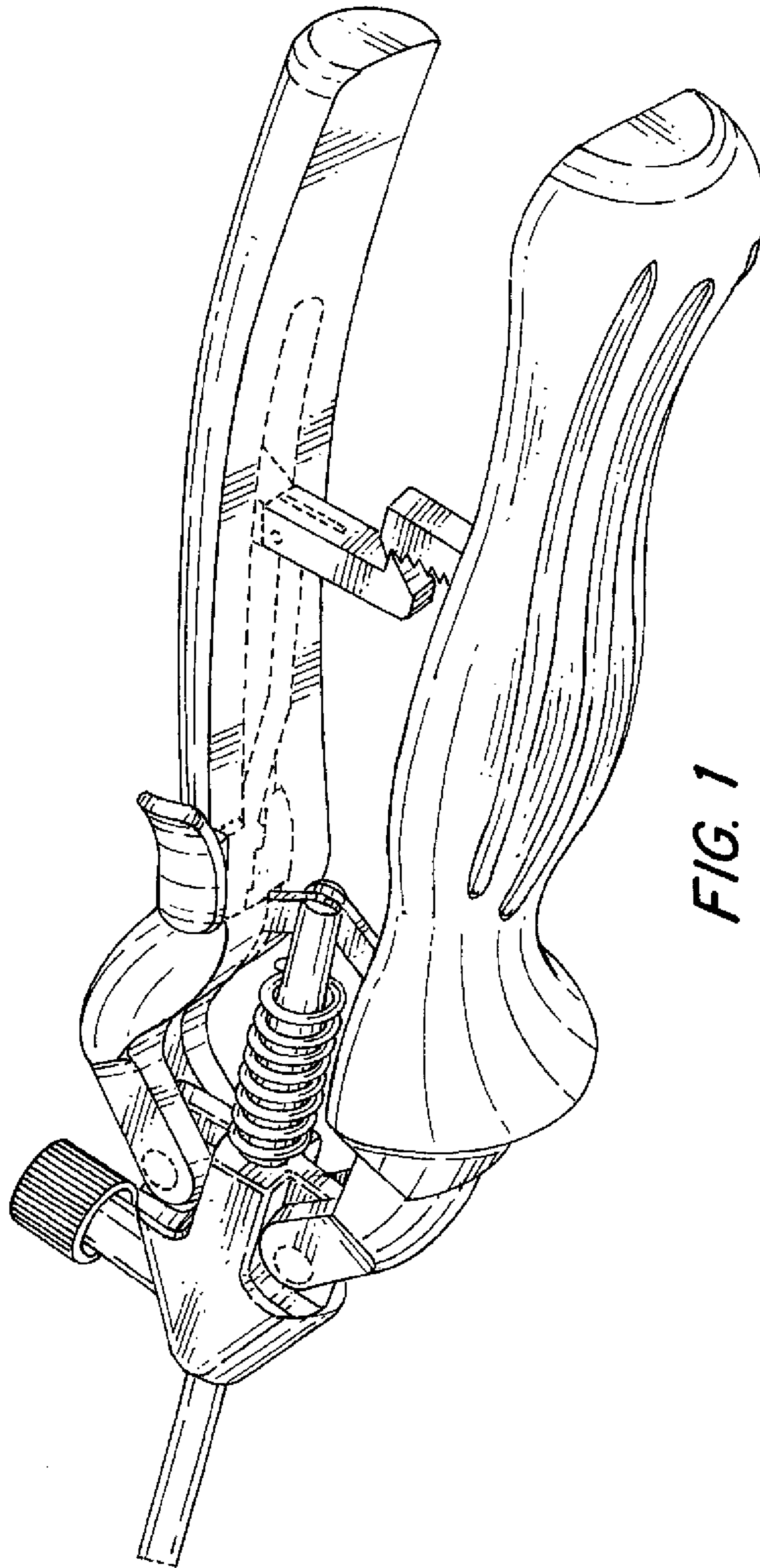


FIG. 1

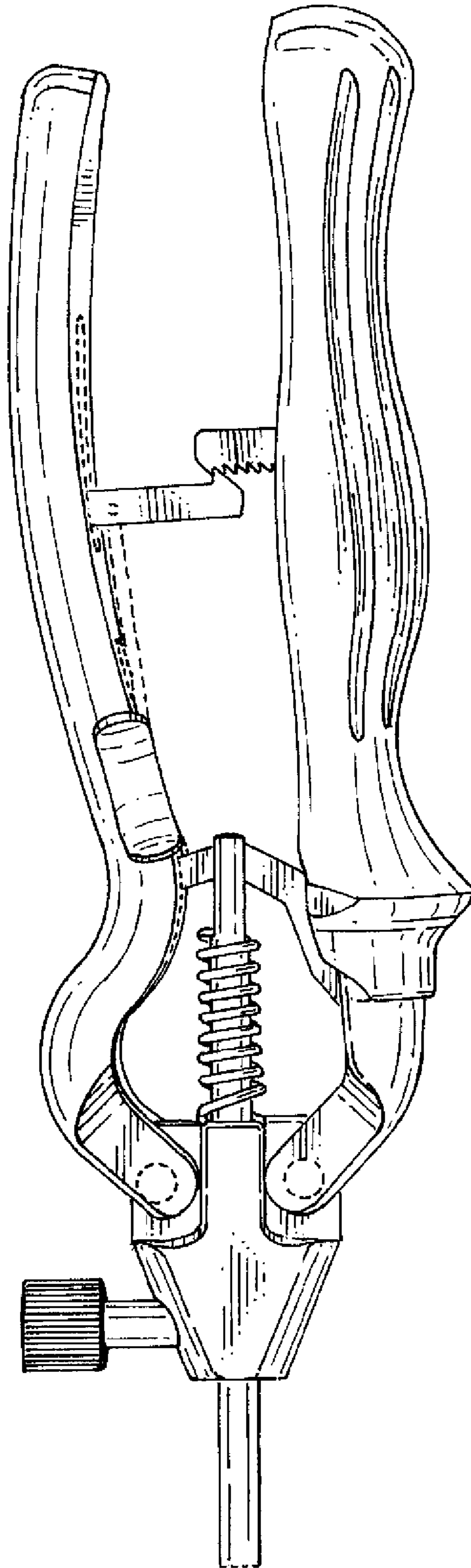


FIG. 2

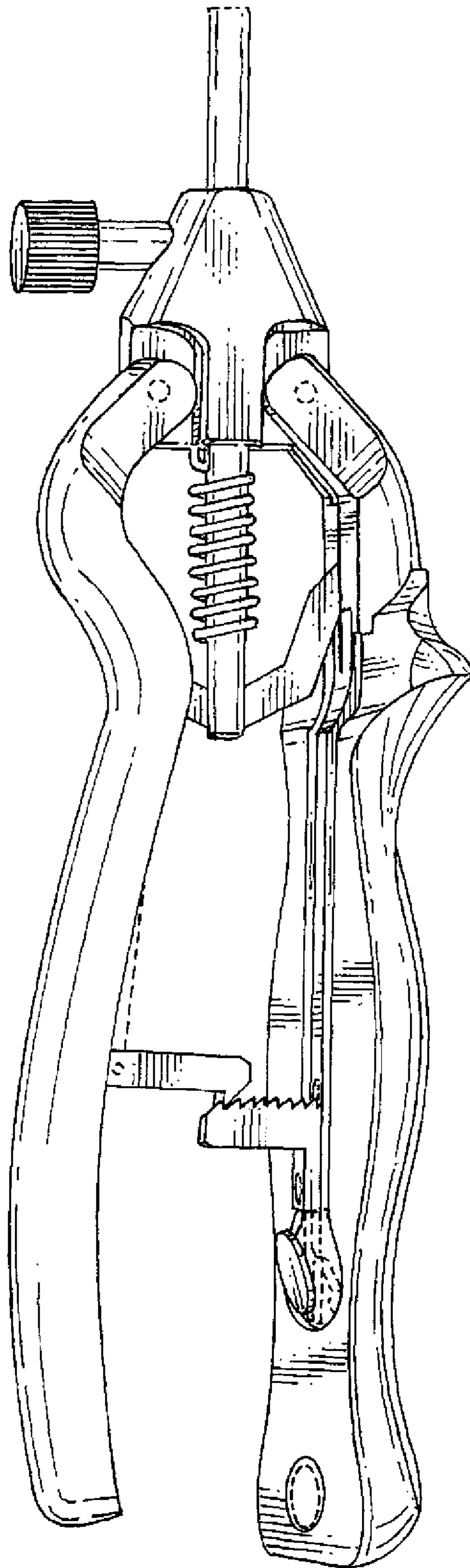


FIG. 3

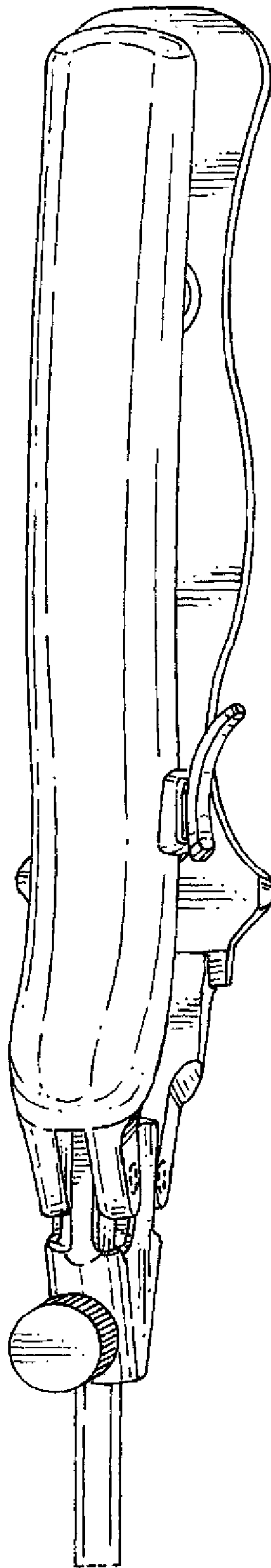


FIG. 4

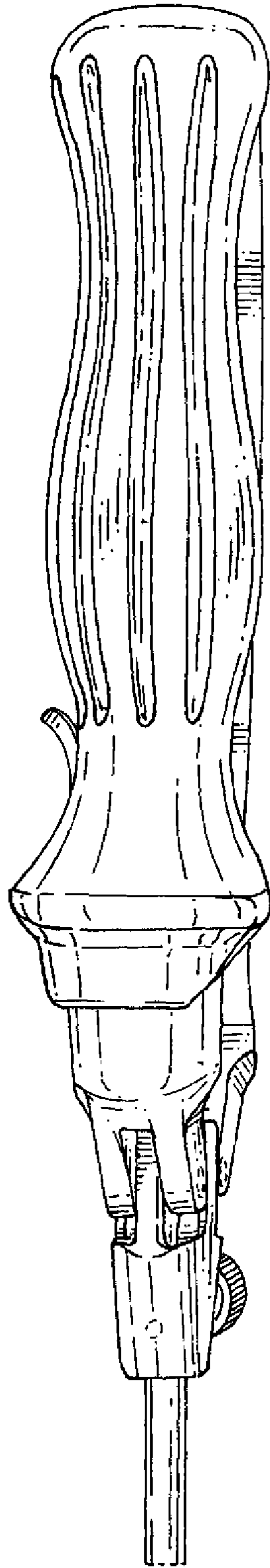


FIG. 5

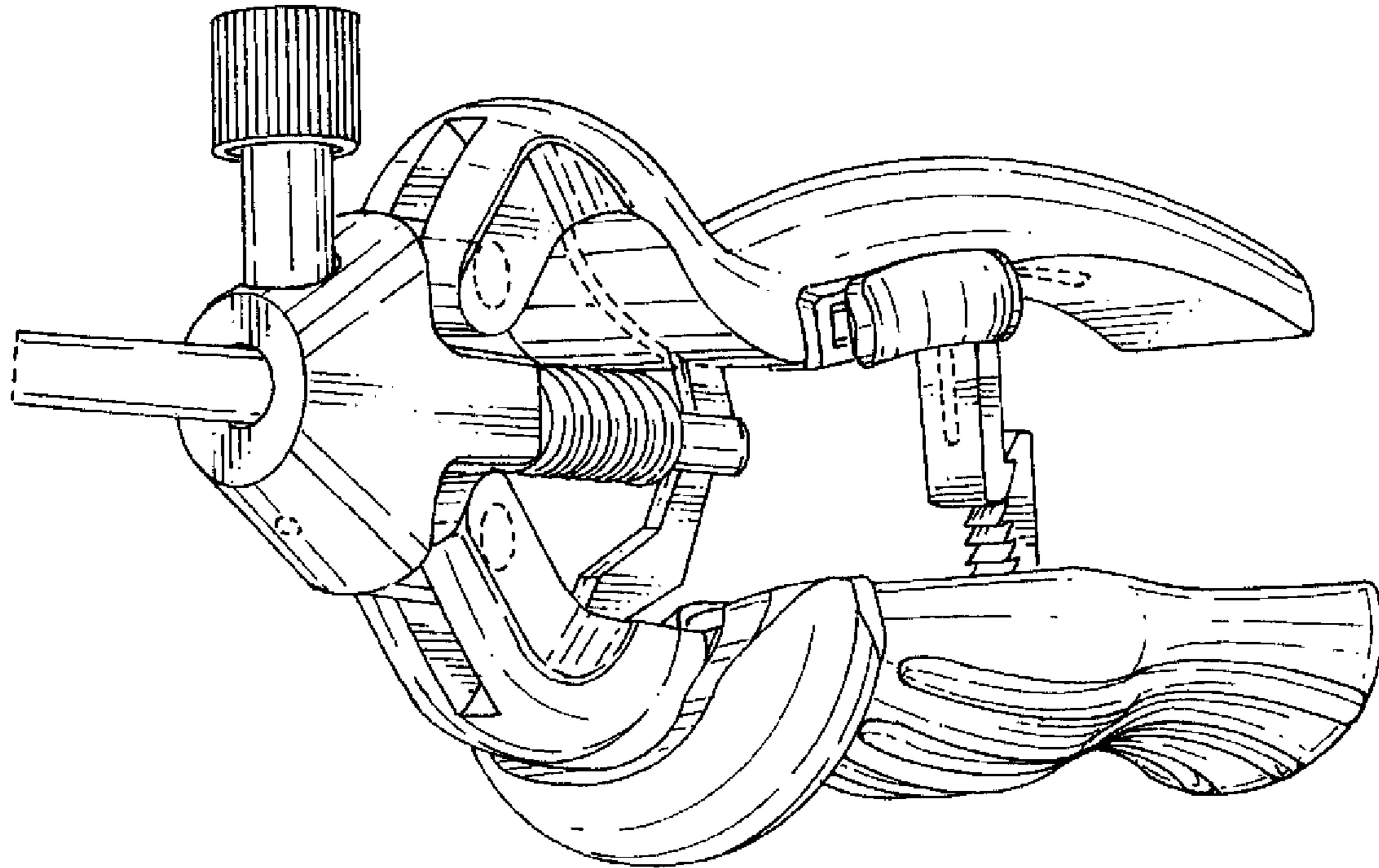


FIG. 6

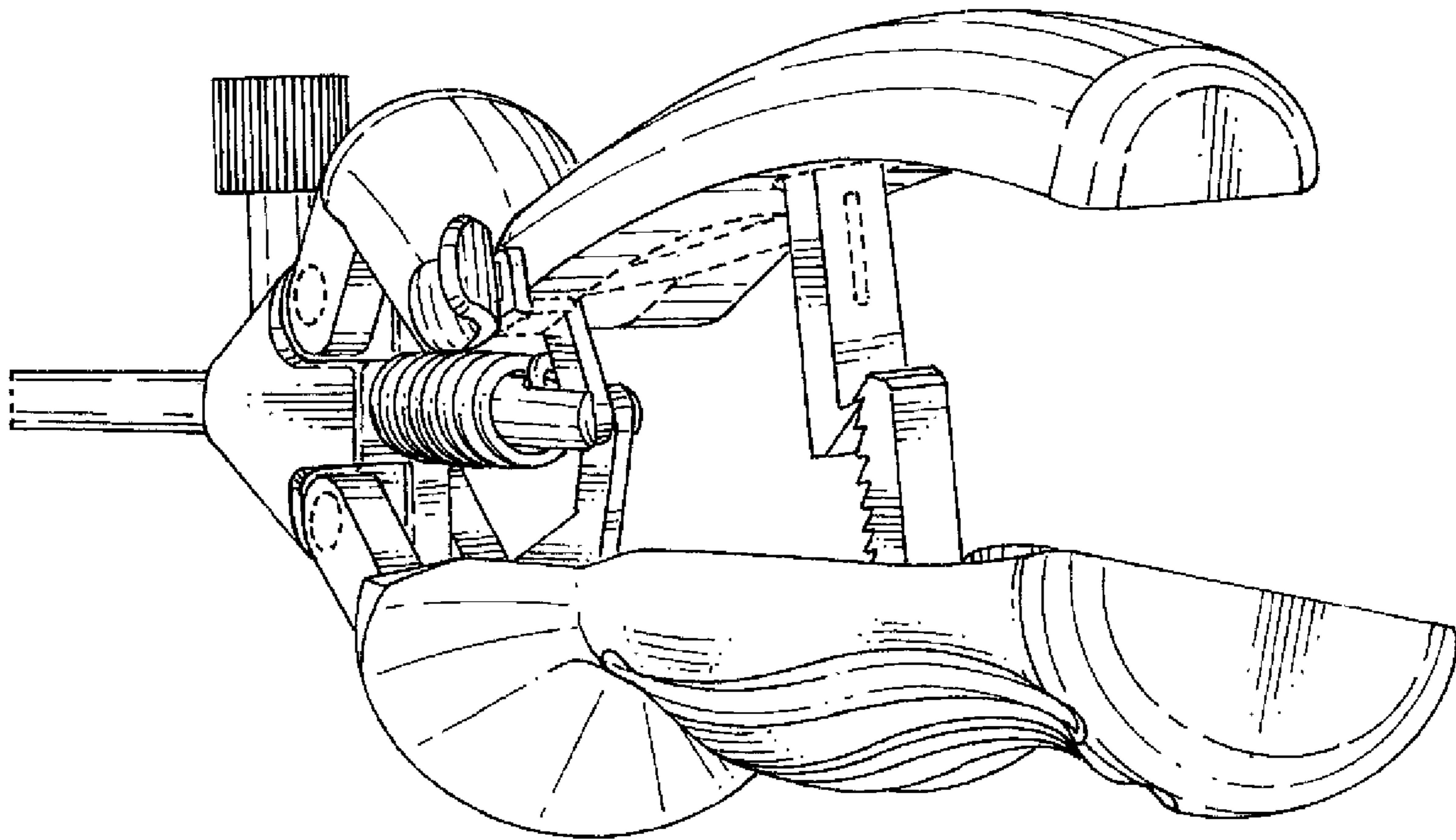


FIG. 7