



US00D664640S

(12) **United States Design Patent**  
**Smutney et al.**

(10) **Patent No.:** **US D664,640 S**  
(45) **Date of Patent:** **\*\* Jul. 31, 2012**

(54) **CARTRIDGE FOR A DRY POWDER  
INHALER**

(75) Inventors: **Chad C. Smutney**, Watertown, CT (US);  
**John M. Polidoro**, Coventry, CT (US);  
**Benoit Adamo**, Mount Kisco, NY (US);  
**P. Spencer Kinsey**, Sandy Hook, CT  
(US)

(73) Assignee: **MannKind Corporation**, Valencia, CA  
(US)

(\*\*) Term: **14 Years**

(21) Appl. No.: **29/356,555**

(22) Filed: **Feb. 26, 2010**

**Related U.S. Application Data**

(63) Continuation of application No. 29/333,230, filed on  
Mar. 4, 2009, now Pat. No. Des. 613,849, which is a  
continuation-in-part of application No. 29/319,776,  
filed on Jun. 13, 2008, now Pat. No. Des. 605,753.

(51) **LOC (9) Cl.** ..... **29-02**

(52) **U.S. Cl.** ..... **D24/110**

(58) **Field of Classification Search** ..... D24/110;  
128/200.23, 200.12, 200.14, 200.21, 205.23,  
128/203.12, 203.15

See application file for complete search history.

(56) **References Cited**

U.S. PATENT DOCUMENTS

|          |   |   |         |                 |       |         |
|----------|---|---|---------|-----------------|-------|---------|
| D605,753 | S | * | 12/2009 | Smutney et al.  | ..... | D24/110 |
| D613,849 | S | * | 4/2010  | Smutney et al.  | ..... | D24/110 |
| D641,076 | S | * | 7/2011  | Grunstad et al. | ..... | D24/110 |
| D645,954 | S | * | 9/2011  | Hately          | ..... | D24/110 |
| D647,195 | S | * | 10/2011 | Clarke et al.   | ..... | D24/110 |
| D647,196 | S | * | 10/2011 | Clarke et al.   | ..... | D24/110 |

\* cited by examiner

*Primary Examiner* — Rashida Johnson

(74) *Attorney, Agent, or Firm* — K&L Gates LLP; Louis C.  
Cullman; Brian J. Novak

(57) **CLAIM**

The ornamental design for a cartridge for a dry powder  
inhaler, as shown and described.

**DESCRIPTION**

FIG. 1 is a perspective view of our new cartridge for a dry  
powder inhaler design.

FIG. 2 is a top view of the cartridge for a dry powder inhaler  
shown in FIG. 1.

FIG. 3 is a bottom view of the cartridge for a dry powder  
inhaler shown in FIG. 1.

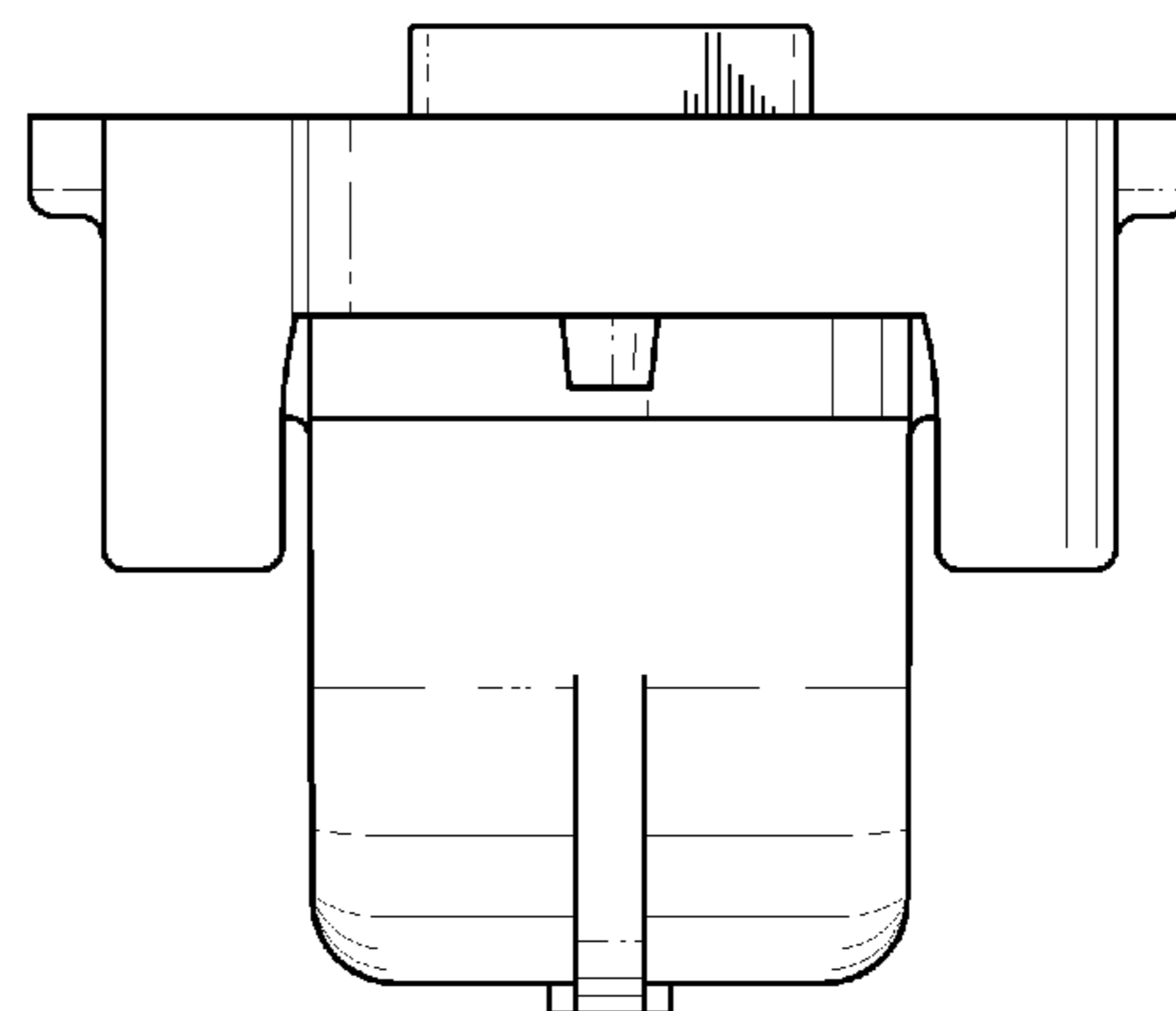
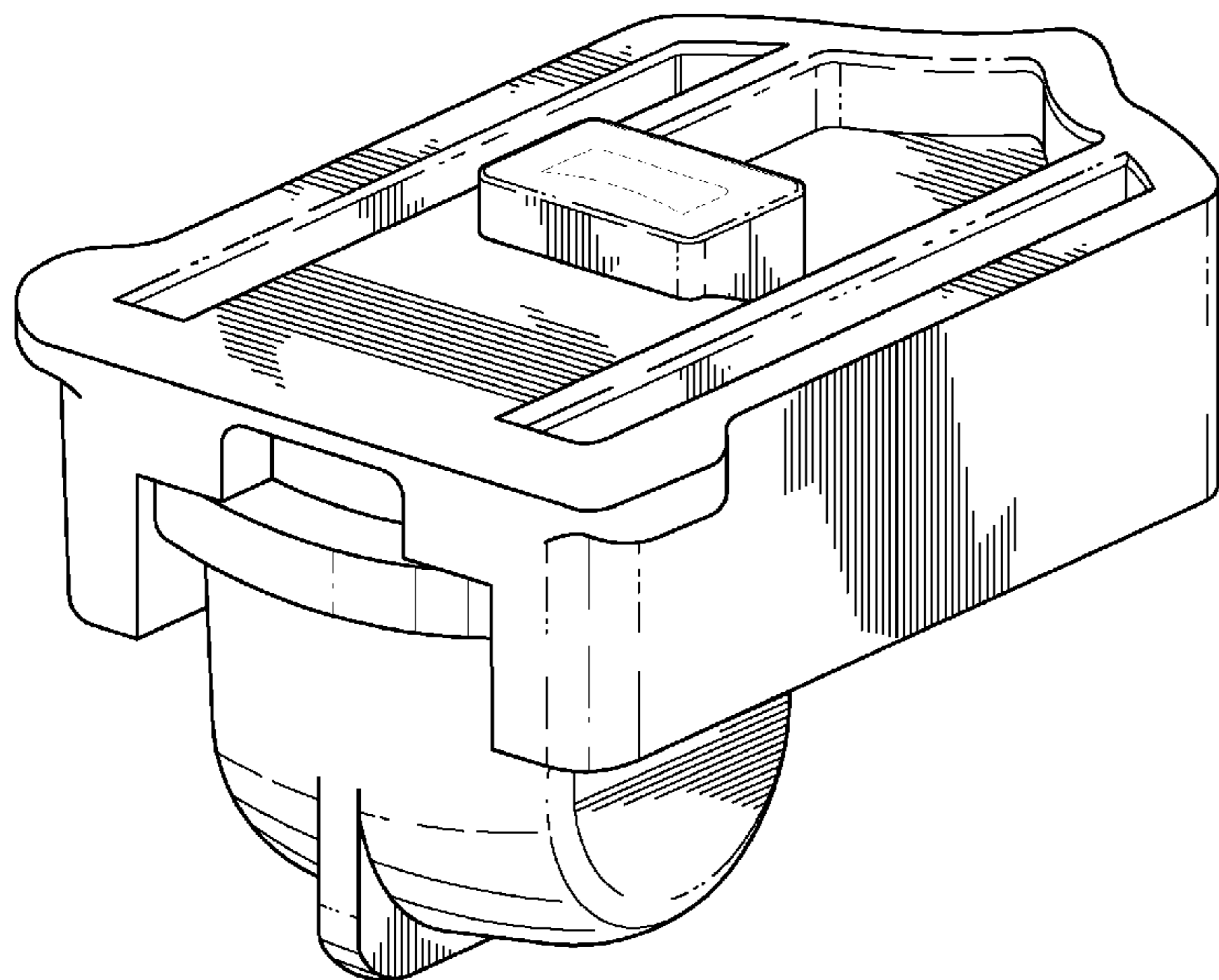
FIG. 4 is a back view of the cartridge for a dry powder inhaler  
shown in FIG. 1.

FIG. 5 is a front view of the cartridge for a dry powder inhaler  
shown in FIG. 1; and,

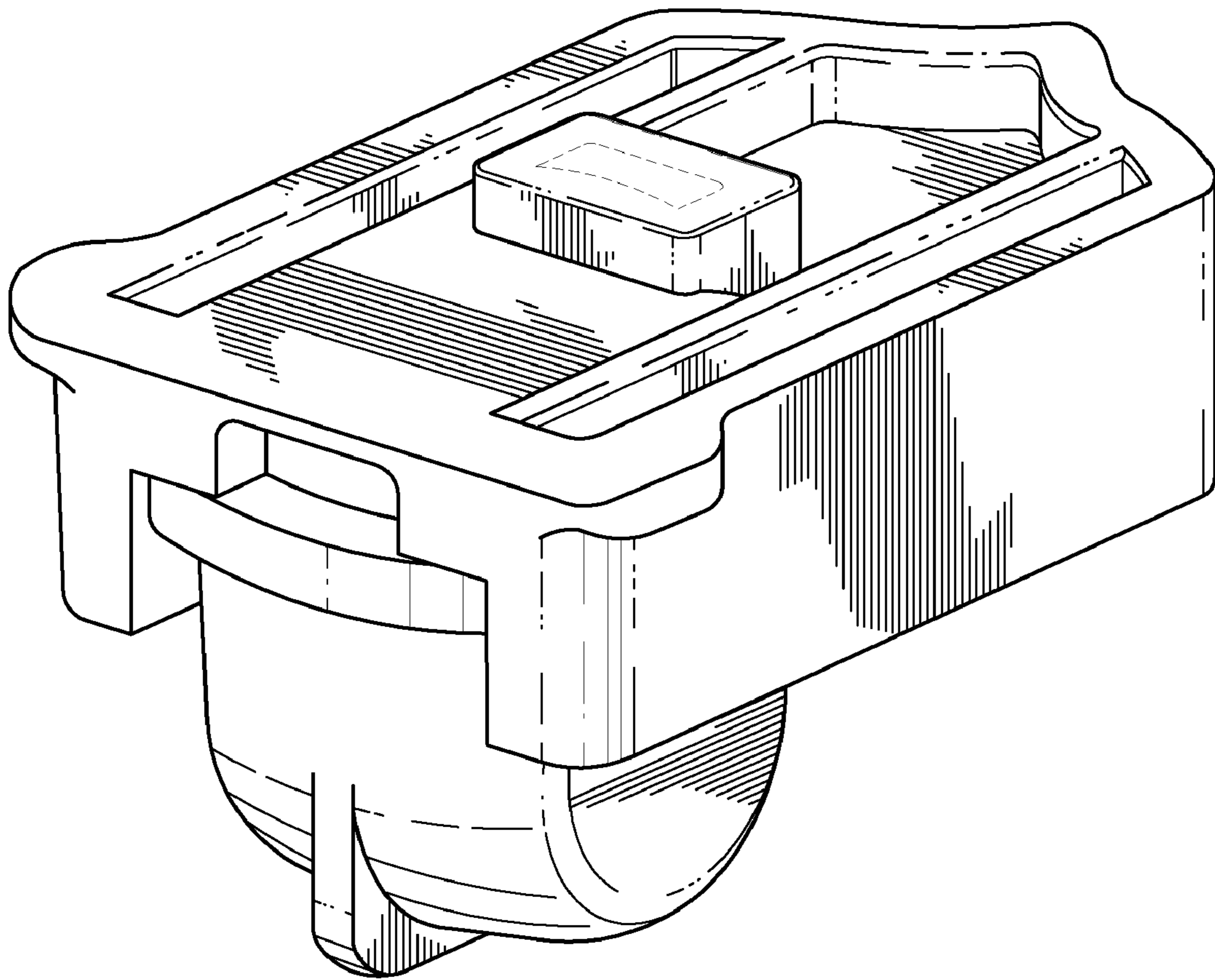
FIG. 6 is a side view of the cartridge for a dry powder inhaler  
shown in FIG. 1.

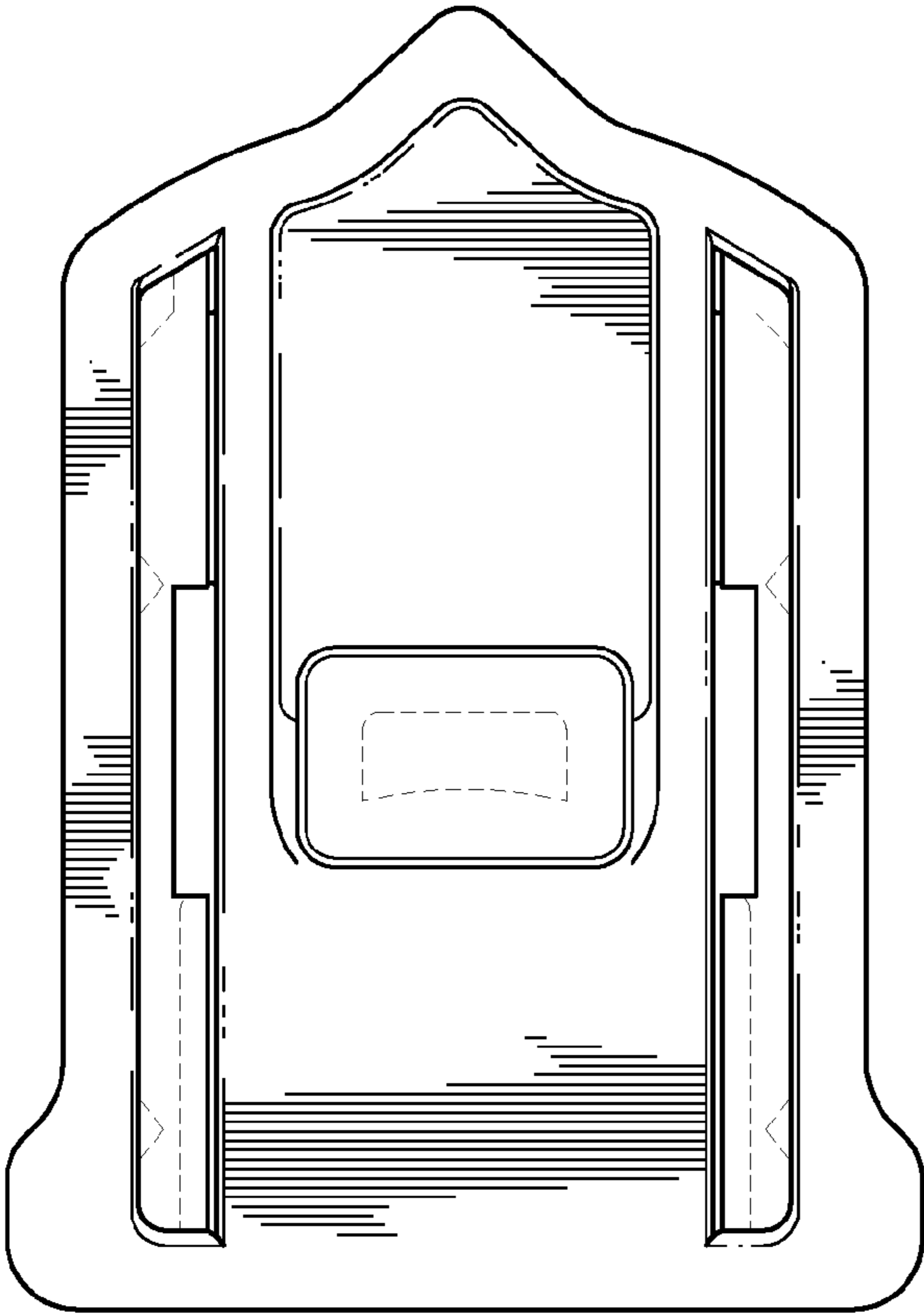
The broken lines in FIGS. 1-4 represent the portions of the  
cartridge, which form no part of the claimed design.

**1 Claim, 3 Drawing Sheets**

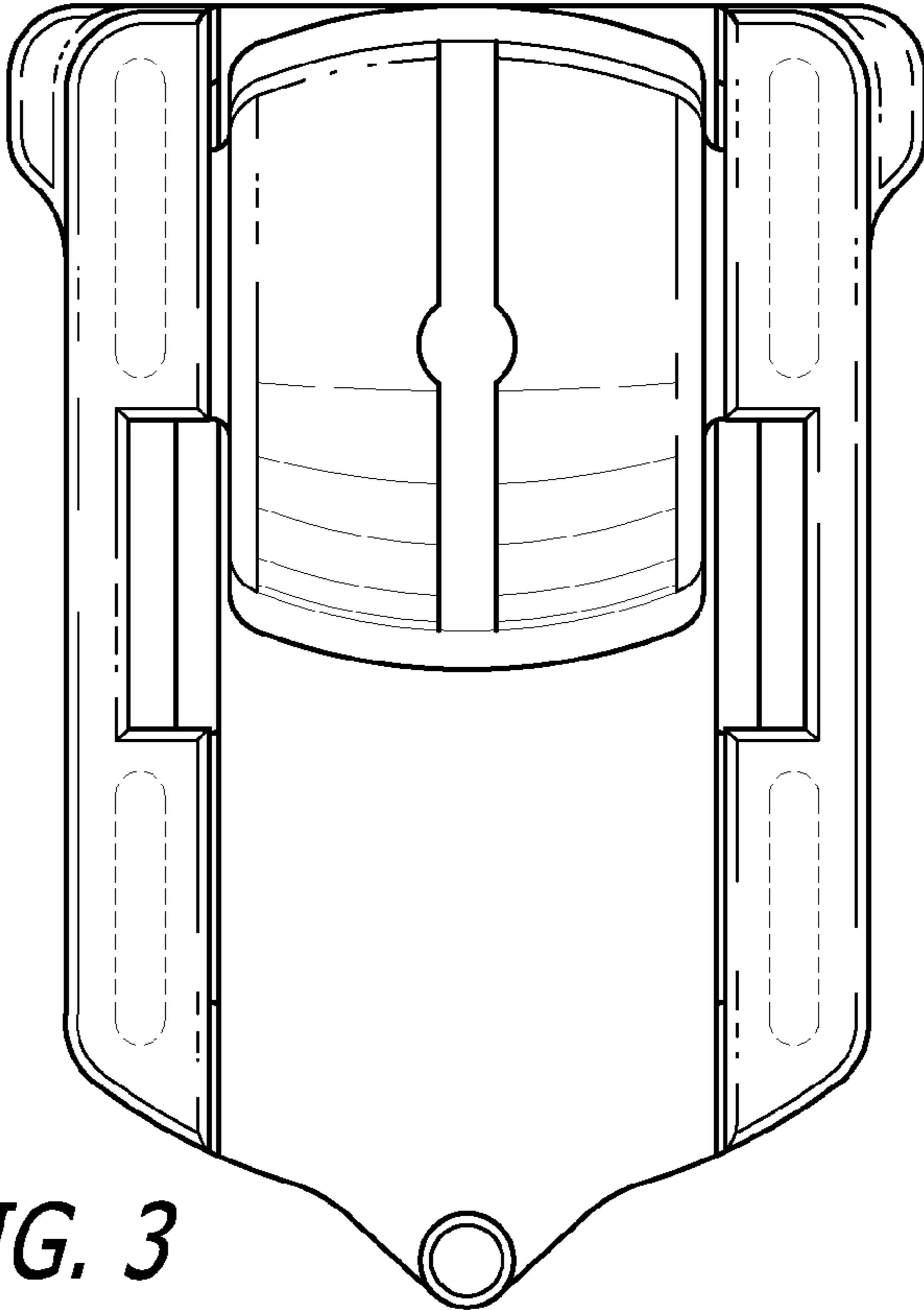


*FIG. 1*

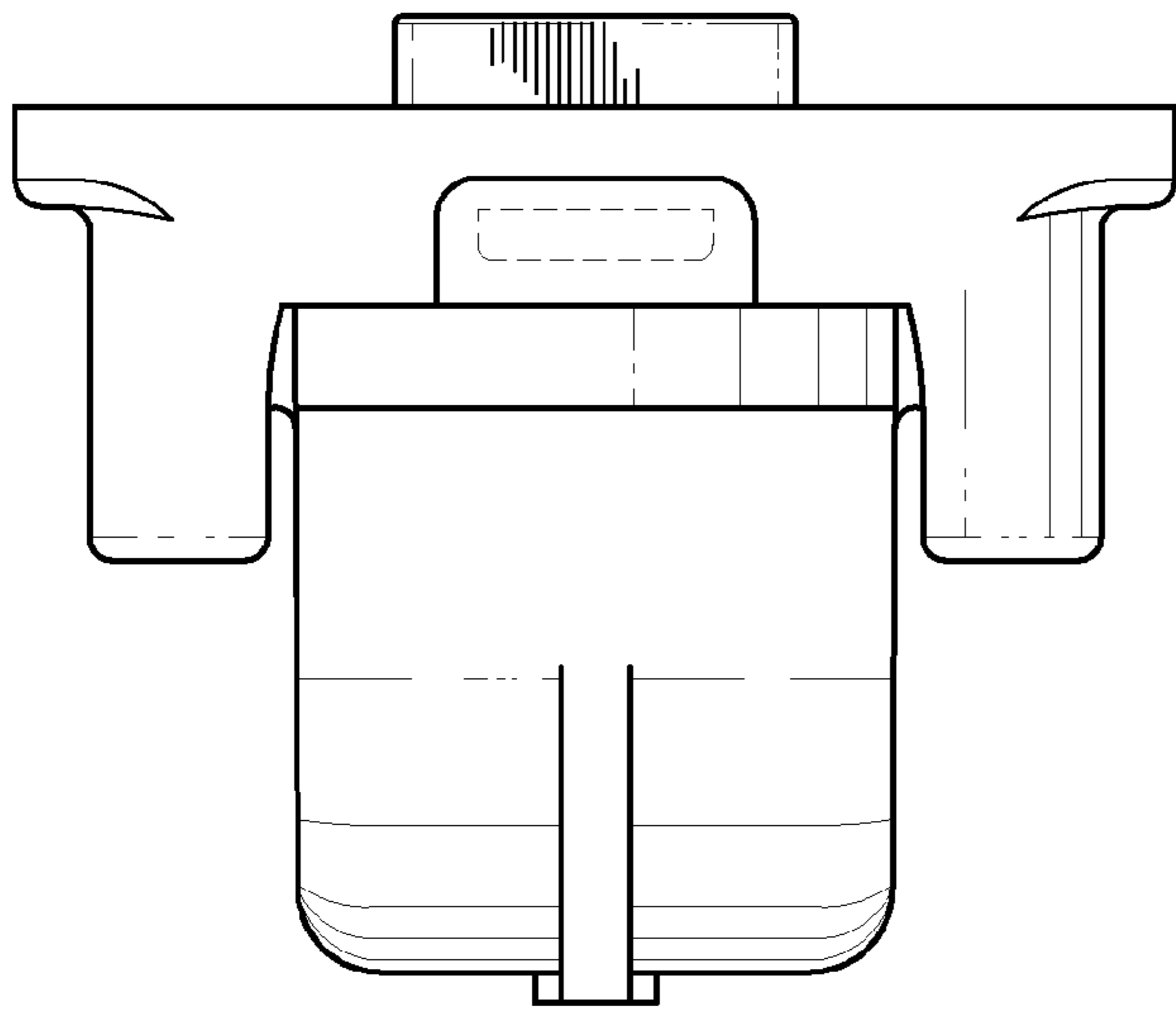




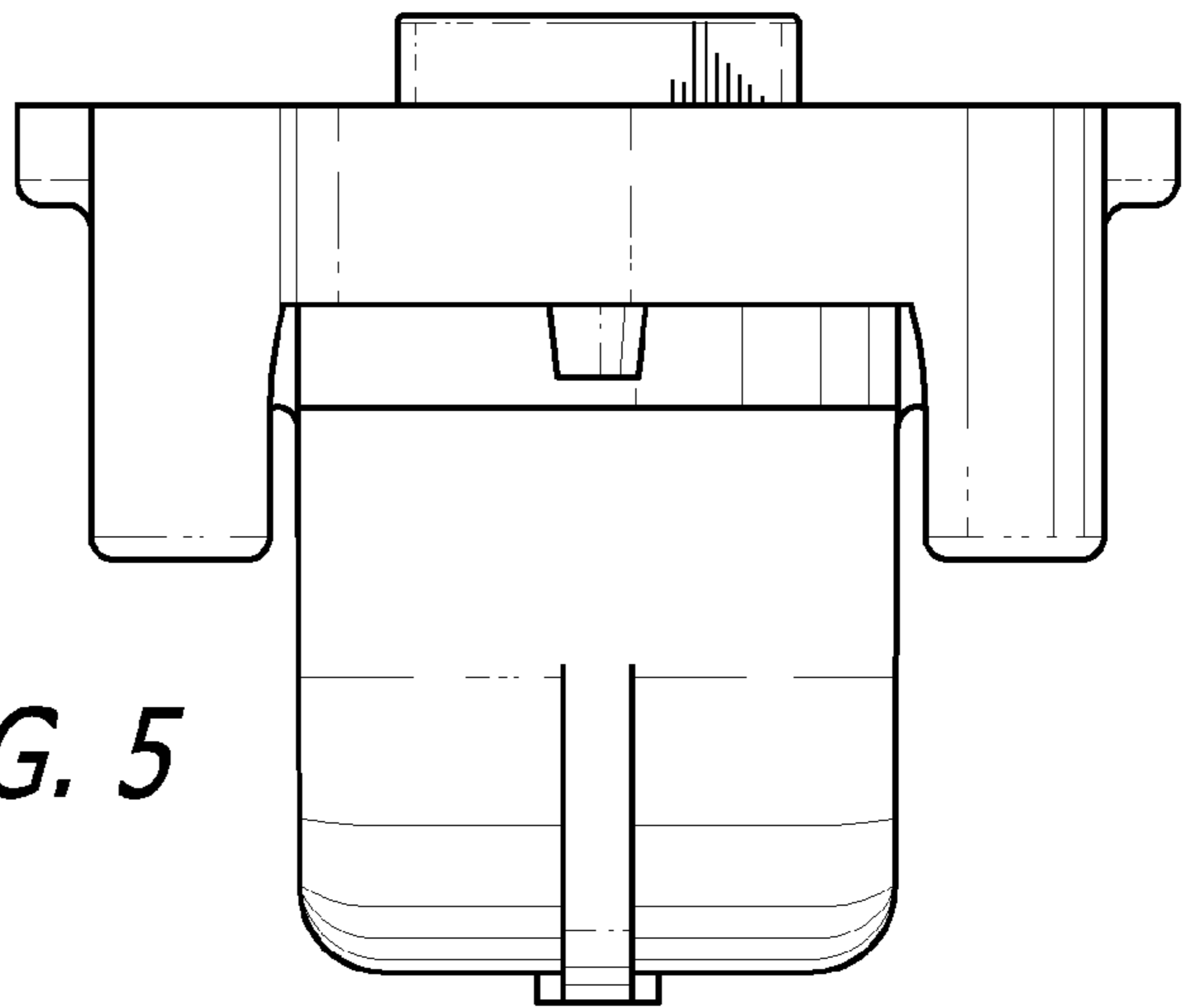
*FIG. 2*



*FIG. 3*



*FIG. 4*



*FIG. 5*

*FIG. 6*

