



US00D664639S

(12) **United States Design Patent**  
**Hoke et al.**

(10) **Patent No.:** **US D664,639 S**  
(45) **Date of Patent:** **\*\* Jul. 31, 2012**

(54) **NASAL LAVAGE NOSTRIL SEALING INSERT**

(75) Inventors: **Martin R. Hoke**, Lakewood, OH (US);  
**Gary R. Austin**, Euclid, OH (US)

(73) Assignee: **RhinoSystems, Inc.**, Cleveland, OH  
(US)

(\*\*) Term: **14 Years**

(21) Appl. No.: **29/389,645**

(22) Filed: **Apr. 14, 2011**

(51) **LOC (9) Cl.** ..... **24-01**

(52) **U.S. Cl.** ..... **D24/108; D24/110**

(58) **Field of Classification Search** ..... D24/106,  
D24/108, 110, 111, 127-129; 128/203.18,  
128/203.19, 206.11; 604/32, 36, 73, 94.01,  
604/93.01, 275-276; 606/191, 196, 199  
See application file for complete search history.

(56) **References Cited**

**U.S. PATENT DOCUMENTS**

128,257 A \* 6/1872 Snyder ..... 604/275  
2,612,894 A \* 10/1952 Akins ..... 604/276  
3,486,503 A \* 12/1969 Merchlewitz et al. .... 604/275

D270,283 S \* 8/1983 Goodnow et al. .... D24/110  
D303,576 S \* 9/1989 Walton ..... D24/110  
6,004,342 A \* 12/1999 Filis ..... 606/199  
6,561,188 B1 \* 5/2003 Ellis ..... 128/206.11  
D545,959 S \* 7/2007 Cierley et al. .... D24/110  
7,390,331 B2 \* 6/2008 Santin et al. .... 606/199  
7,981,077 B2 \* 7/2011 Hoke et al. .... 604/94.01  
2010/0147307 A1 \* 6/2010 Narciso ..... 128/206.11  
2011/0288476 A1 \* 11/2011 Hoke et al. .... 604/94.01

\* cited by examiner

*Primary Examiner* — Wan Laymon

(74) *Attorney, Agent, or Firm* — Fay Sharpe LLP

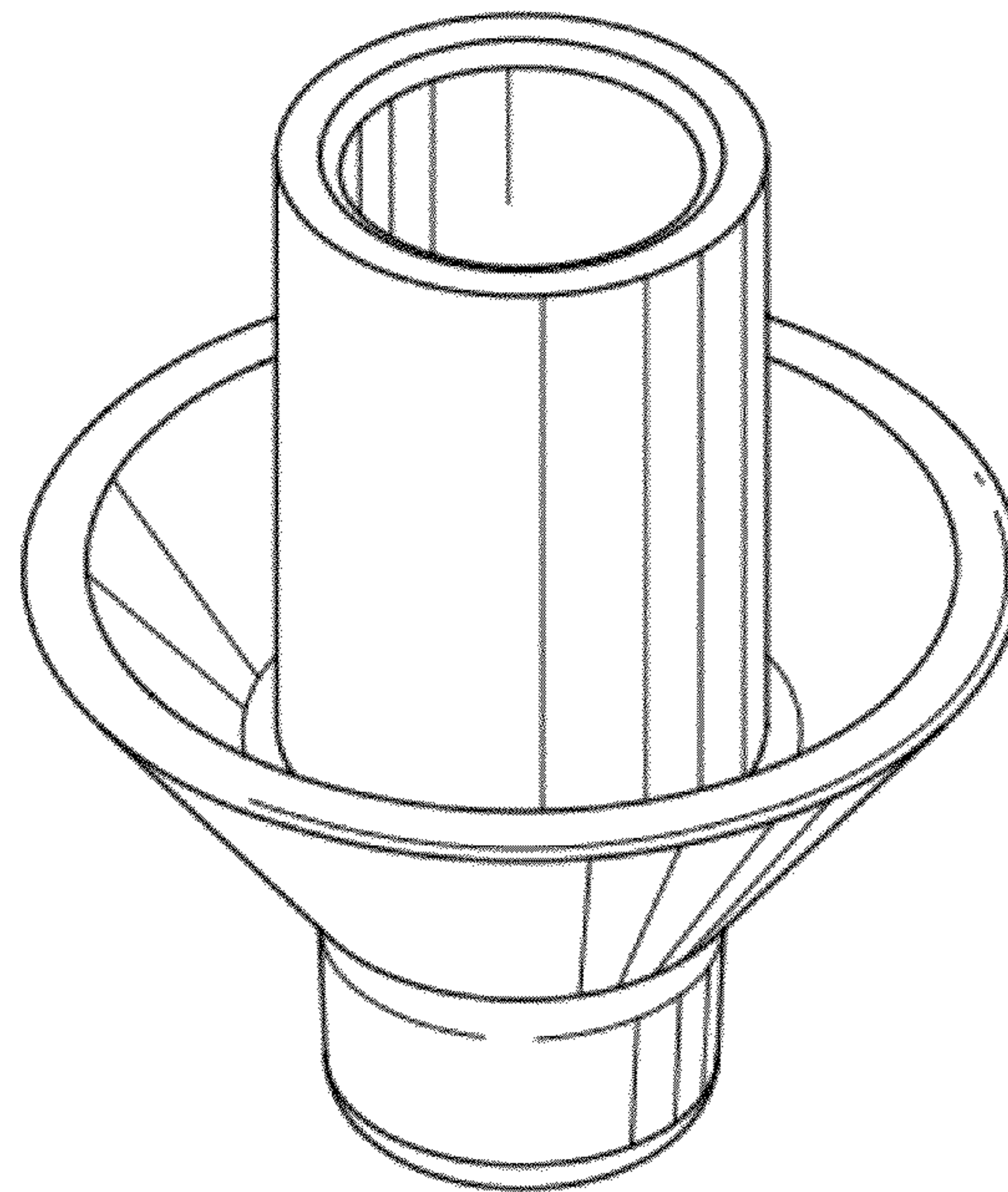
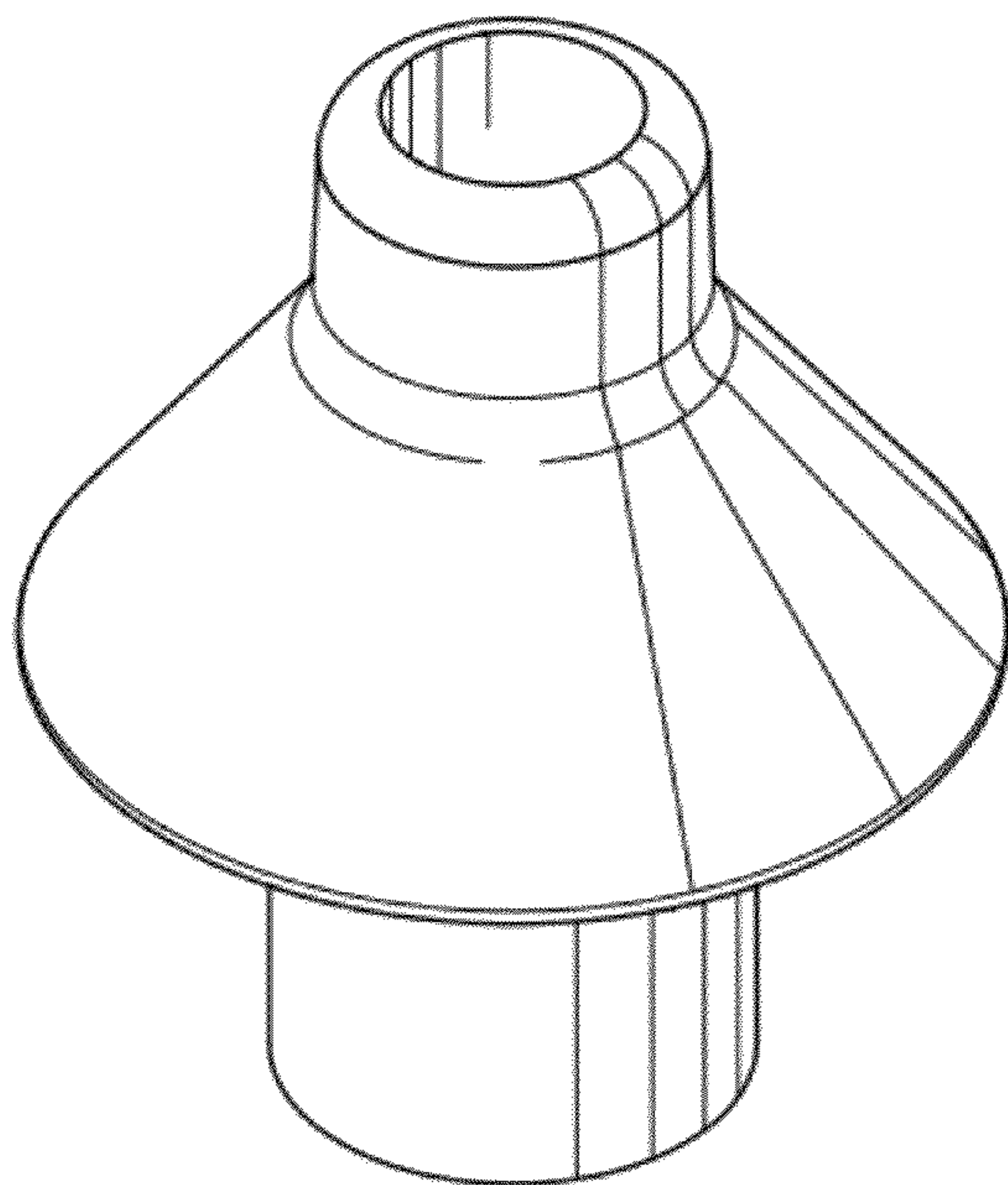
(57) **CLAIM**

The ornamental design for a nasal lavage nostril sealing insert, as shown and described.

**DESCRIPTION**

FIG. 1 is a front elevational view of a nasal lavage nostril sealing insert showing our new design;  
FIG. 2 is a top plan view thereof;  
FIG. 3 is a bottom plan view thereof;  
FIG. 4 is a perspective top view thereof; and,  
FIG. 5 is a perspective bottom view thereof.

**1 Claim, 2 Drawing Sheets**



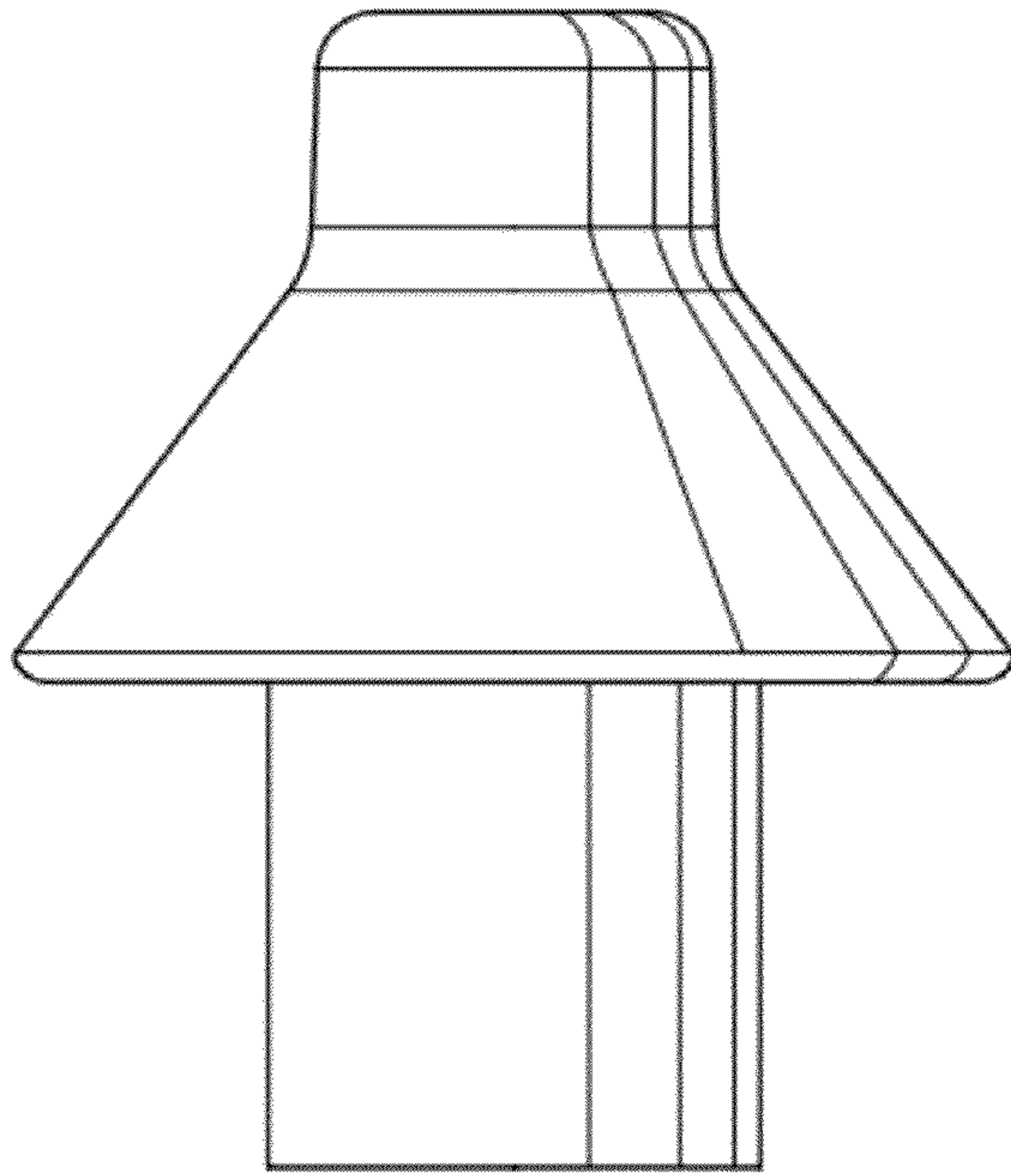


FIG. 1

FIG. 2

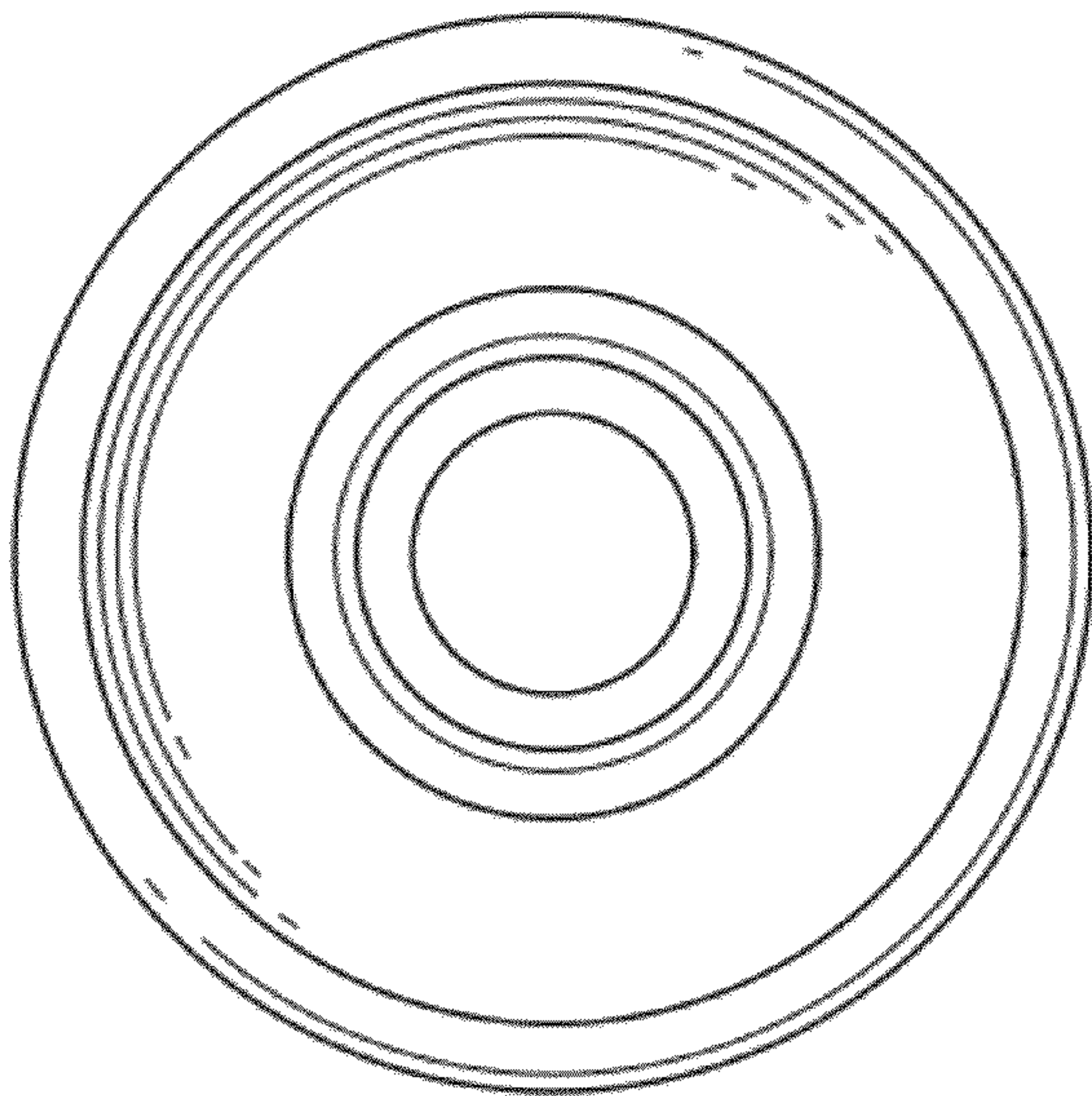
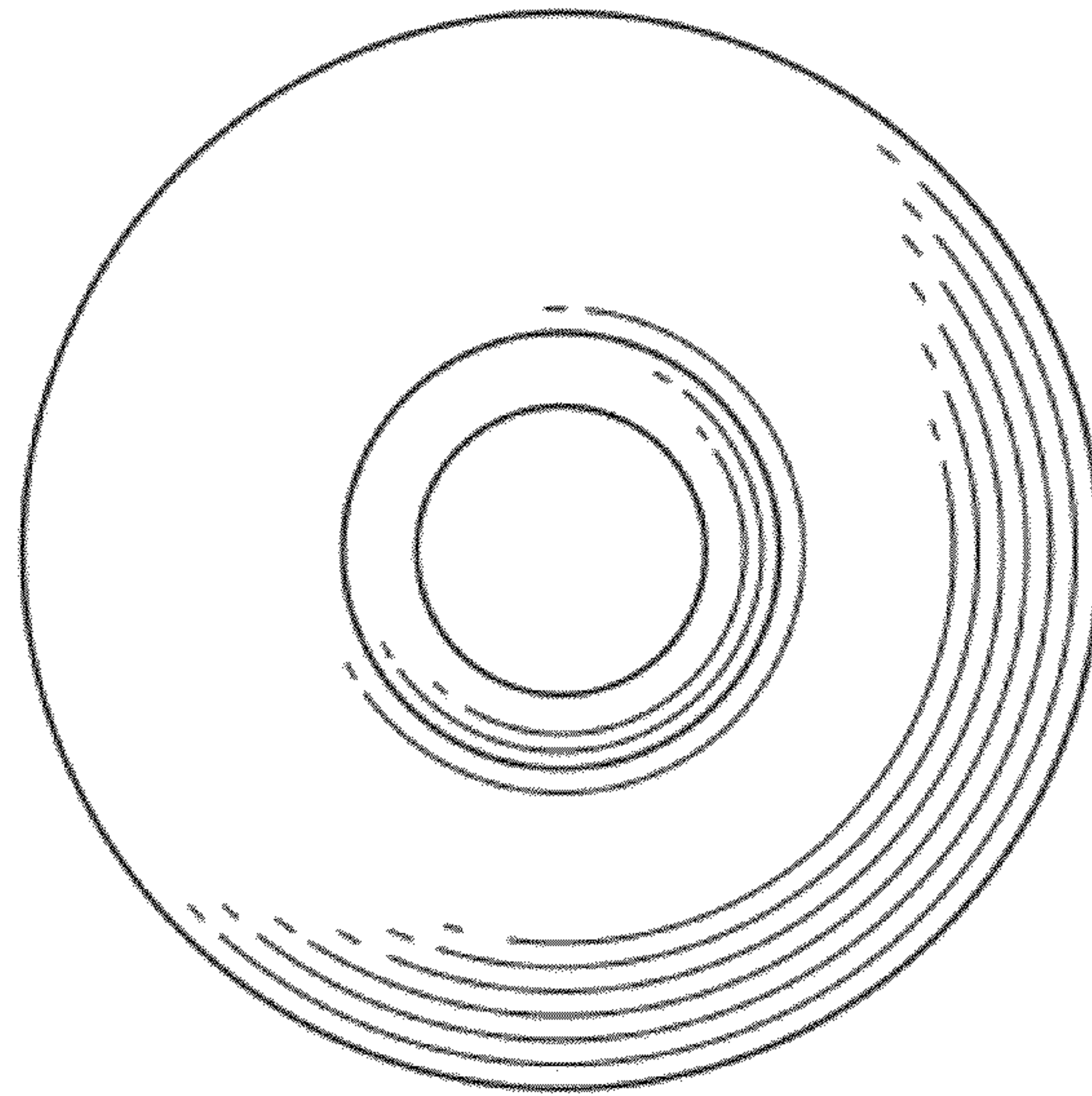
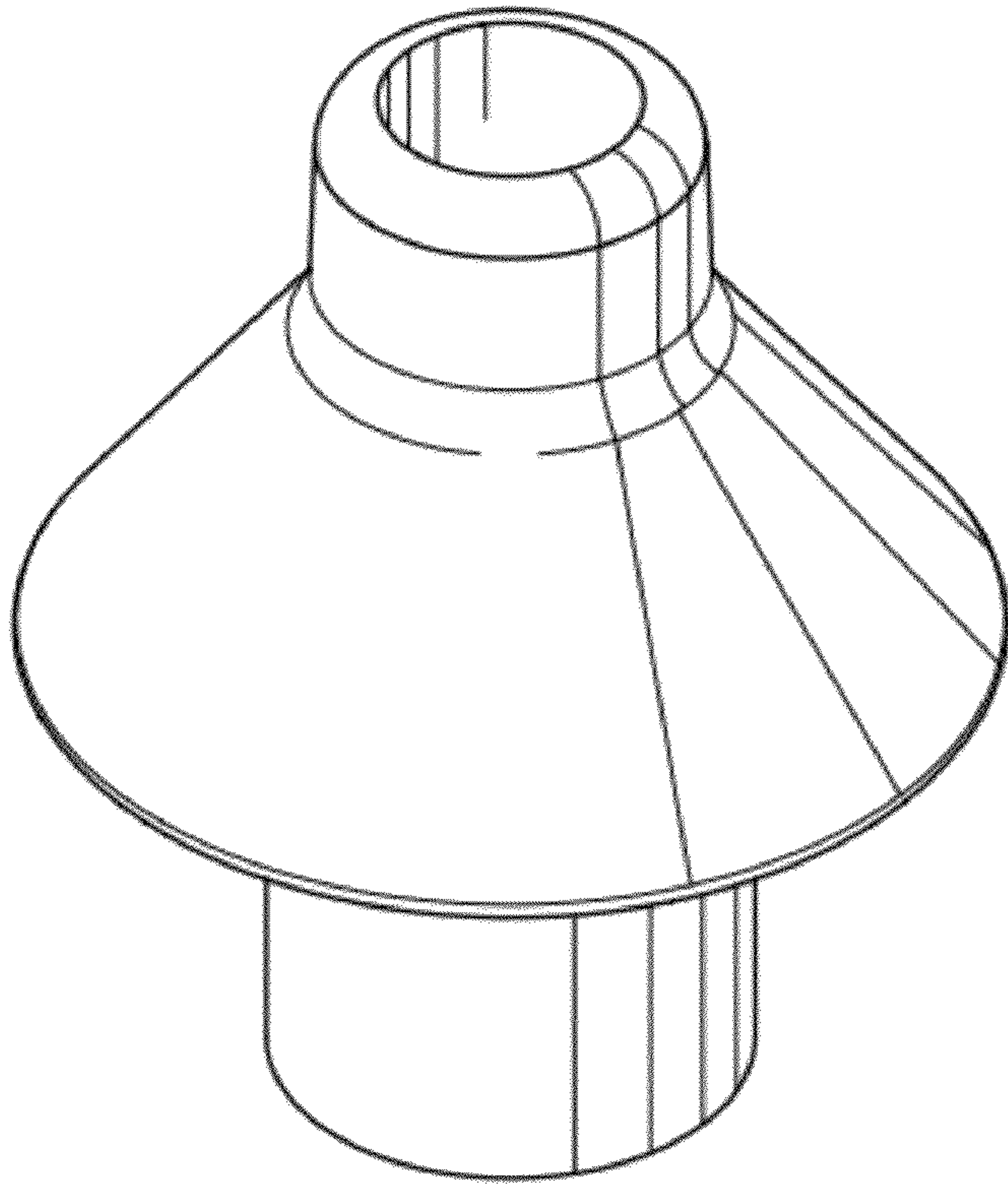
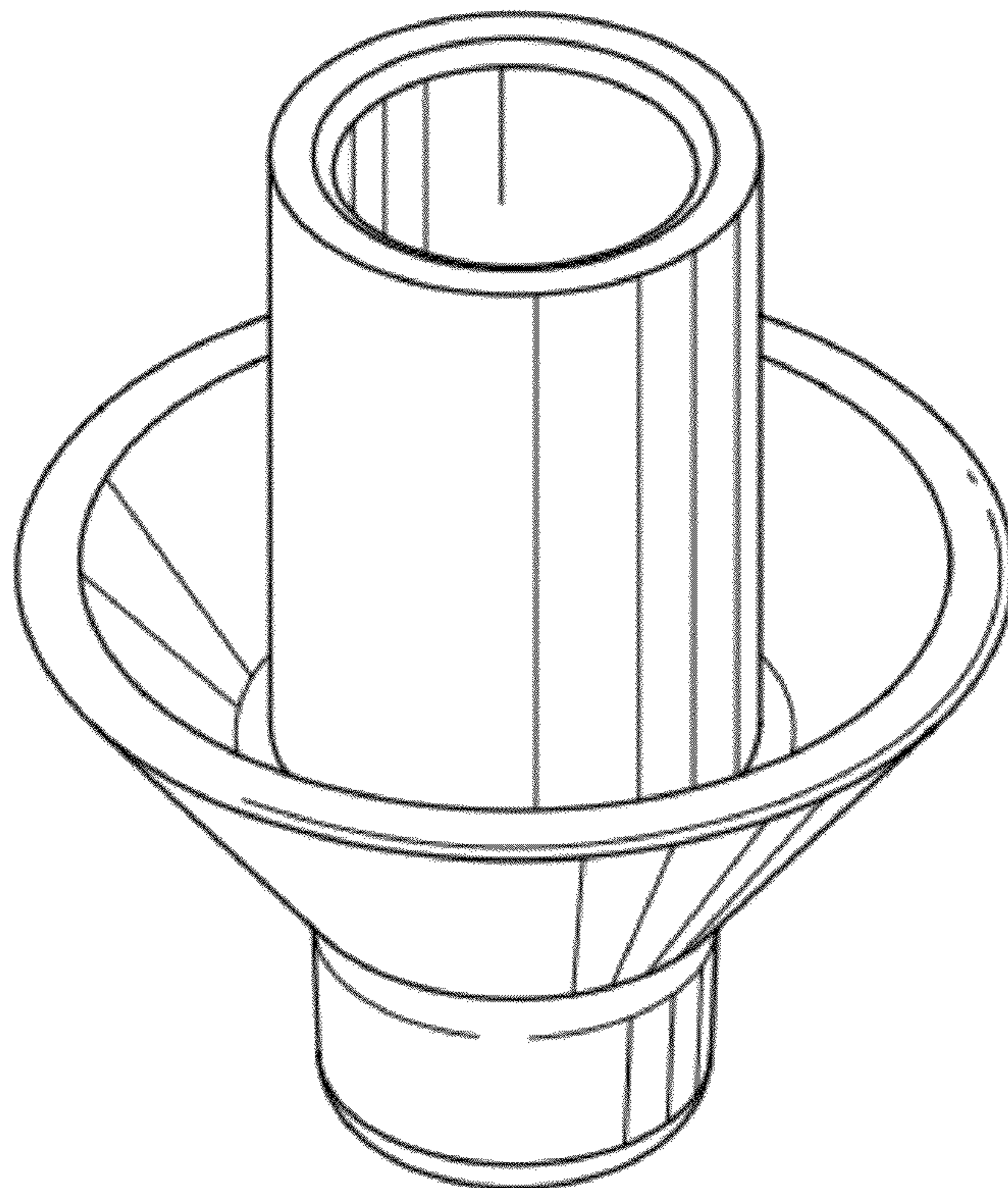


FIG. 3





**FIG. 4**



**FIG. 5**