



US00D664638S

(12) **United States Design Patent**
Benedetti et al.

(10) **Patent No.:** **US D664,638 S**

(45) **Date of Patent:** **** Jul. 31, 2012**

(54) **FIREPLACE ASSEMBLY**

(75) Inventors: **Joseph A. Benedetti**, Nashville, TN
(US); **Amy Grella**, Nashville, TN (US)

(73) Assignee: **Lennox Hearth Products, LLC.**,
Nashville, TN (US)

(**) Term: **14 Years**

(21) Appl. No.: **29/414,164**

(22) Filed: **Feb. 24, 2012**

(51) **LOC (9) Cl.** **23-03**

(52) **U.S. Cl.** **D23/404**

(58) **Field of Classification Search** D23/403-406,
D23/415-419, 421, 422, 499, 343, 345, 347,
D23/349; D7/402, 407, 408, 416, 417; 40/798;
44/520, 530; 52/36.3; 126/25 B, 298, 500,
126/512, 540, 543, 544, 548, 555; 160/DIG. 9;
431/263, 273, 329

See application file for complete search history.

(56) **References Cited**

U.S. PATENT DOCUMENTS

D244,251 S * 5/1977 McCallum D23/406
4,095,582 A * 6/1978 Edwards 126/551
D253,275 S * 10/1979 Adams D23/406

D280,012 S * 8/1985 Wilkening D23/405
D281,901 S * 12/1985 Demrick et al. D23/406
D307,793 S * 5/1990 Becker, Jr. D23/406
D320,849 S * 10/1991 Ehmke D23/405
D344,329 S * 2/1994 Patel D23/406
D345,012 S * 3/1994 Patel D23/406
D348,726 S * 7/1994 Wilson D23/344
D390,936 S * 2/1998 French et al. D23/350
D639,925 S * 6/2011 Weinberger D23/405
D639,926 S * 6/2011 Fowler et al. D23/406

* cited by examiner

Primary Examiner — Karen S Acker

(57) **CLAIM**

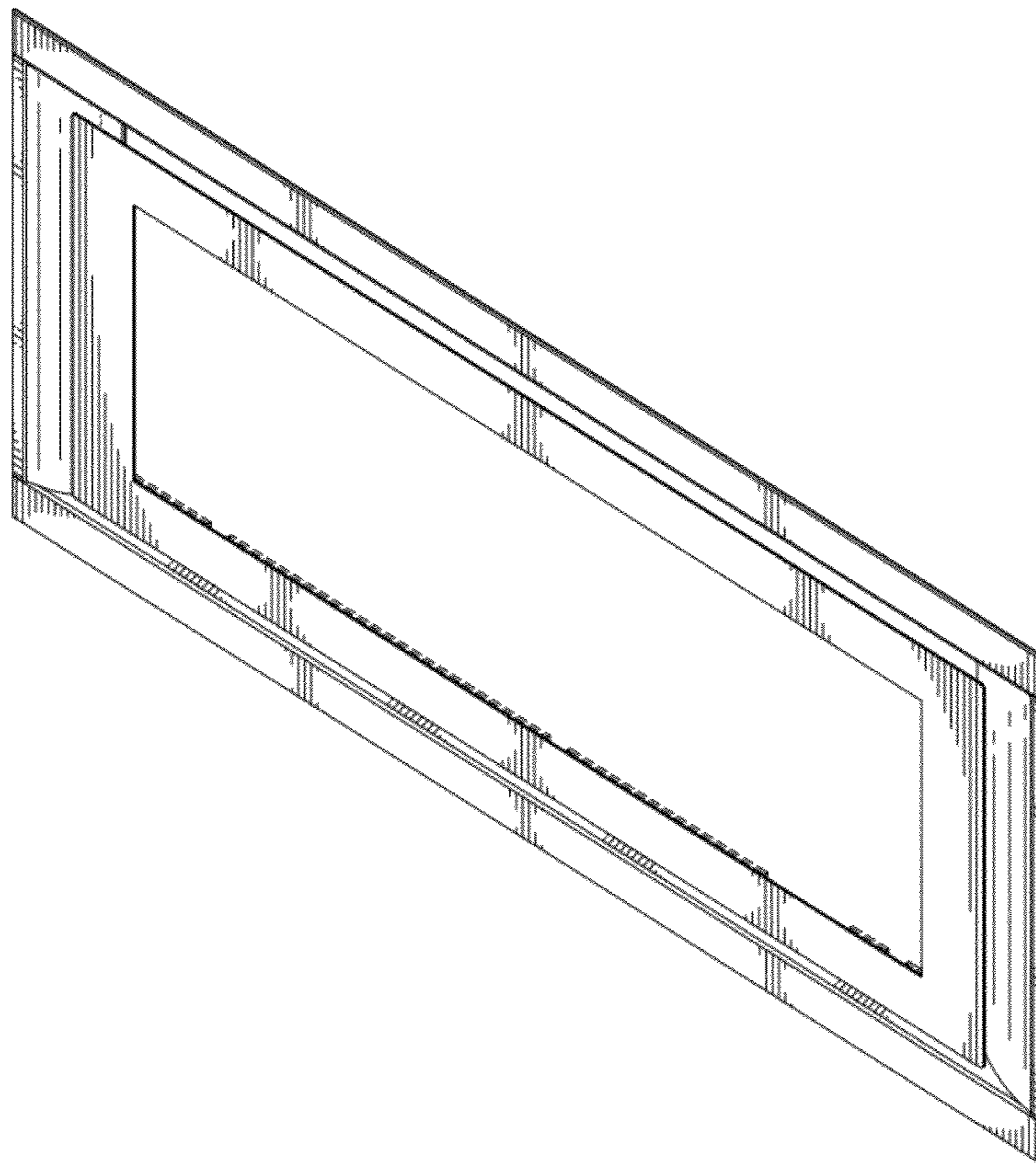
An ornamental design for a “fireplace assembly,” as shown and described.

DESCRIPTION

FIG. 1 is a front perspective view of the fireplace assembly; FIG. 2 is a front side view of the fireplace assembly; FIG. 3 is a rear side view of the fireplace assembly; FIG. 4 is a right side view of the fireplace assembly; FIG. 5 is a left side view of the fireplace assembly; FIG. 6 is a top side view of the fireplace assembly; and, FIG. 7 is a bottom side view of the fireplace assembly.

The broken lines and the spaces therein represent environmental subject matter and form no part of the claim.

1 Claim, 5 Drawing Sheets



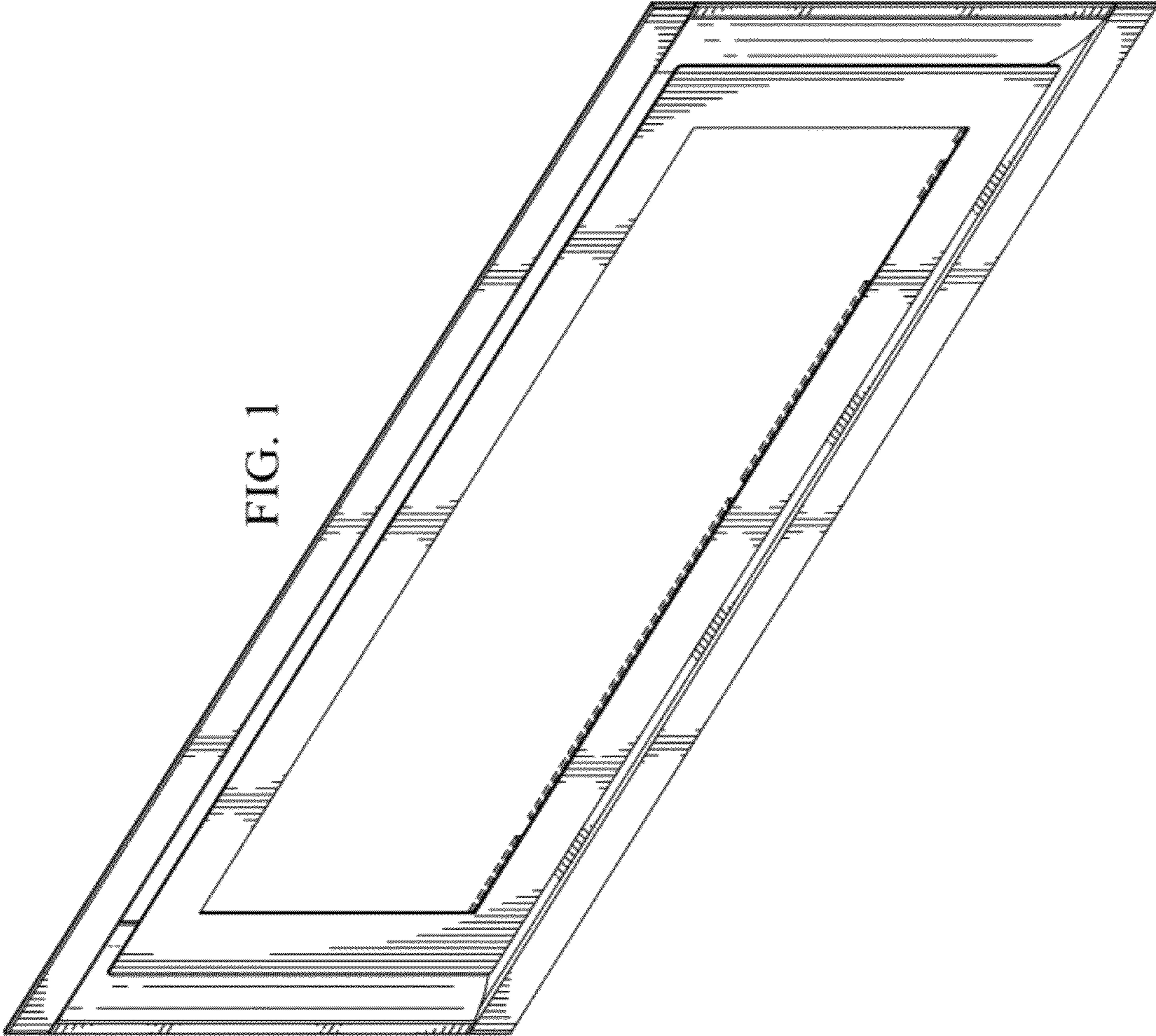


FIG. 1

FIG. 2

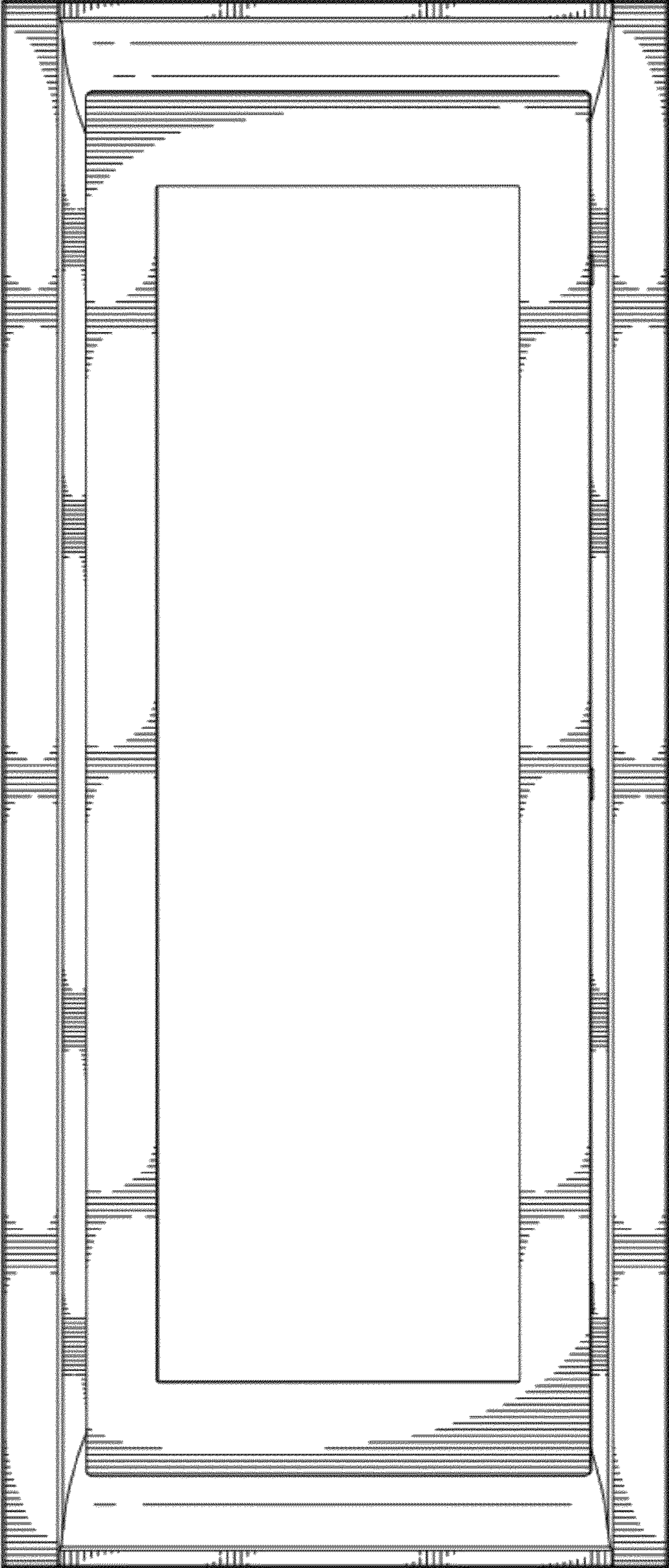


FIG. 3

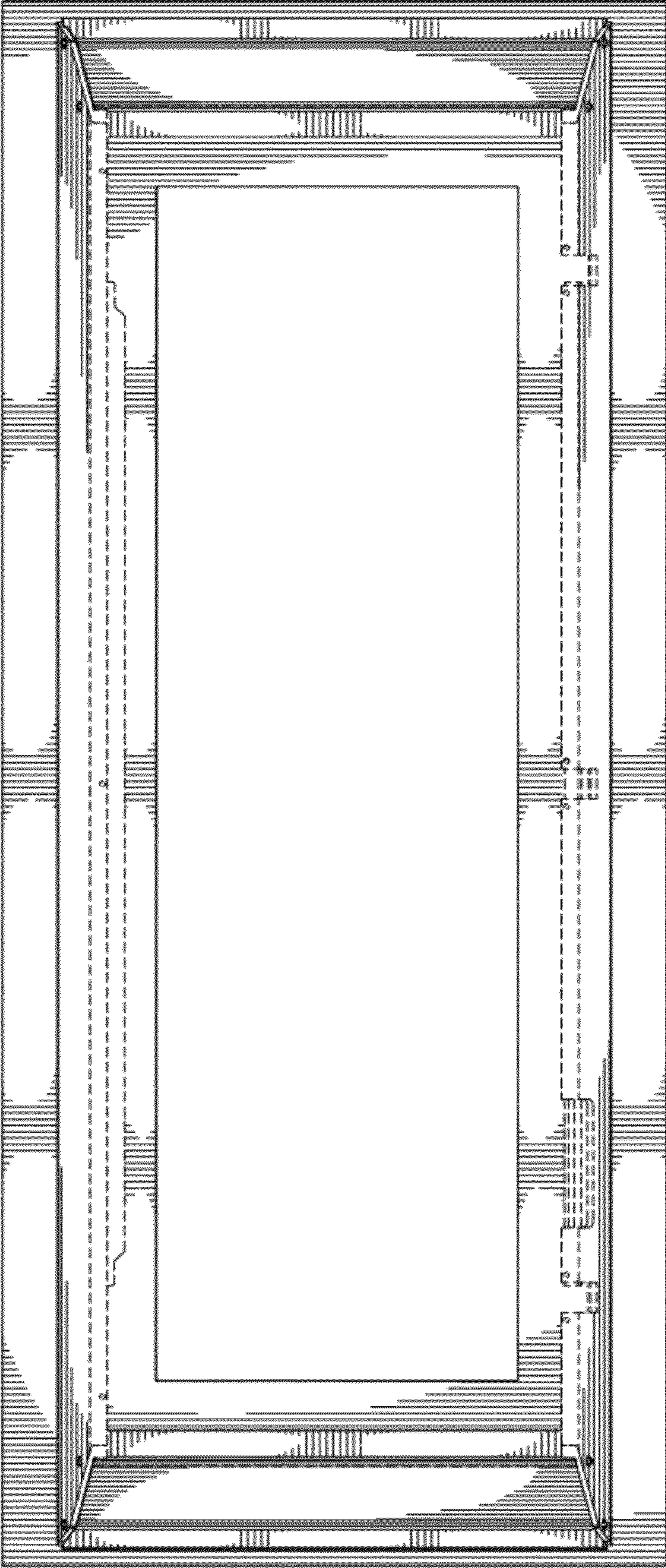


FIG. 5



FIG. 4



FIG. 6



FIG. 7

