

US00D664637S

(12) **United States Design Patent**
Beneke et al.

(10) **Patent No.:** **US D664,637 S**
(45) **Date of Patent:** **** Jul. 31, 2012**

(54) **INDICATOR FOR A DAMPER INSIDE THE DUCT WORK FOR AN HVAC SYSTEM**

(75) Inventors: **Jeffrey Scott Beneke**, Peculiar, MO (US); **Michael Coyazo**, Overland Park, KS (US)

(73) Assignee: **Ruskin Company**, Grandview, MO (US)

(**) Term: **14 Years**

(21) Appl. No.: **29/405,920**

(22) Filed: **Nov. 8, 2011**

(51) **LOC (9) Cl.** **23-04**

(52) **U.S. Cl.** **D23/393; D23/386**

(58) **Field of Classification Search** D23/385–395, D23/397, 370–373, 365, 351, 354, 399–403, D23/421, 499, 262; 454/309, 275–277, 284, 454/287–291, 358–363; 52/302.1, 32.07; D14/483; 110/163; D8/375

See application file for complete search history.

(56) **References Cited**

U.S. PATENT DOCUMENTS

D313,650 S *	1/1991	Odegaard	D23/386
D313,927 S *	1/1991	Orii	D8/375
D331,961 S *	12/1992	Ridolfi et al.	D23/365
D338,524 S *	8/1993	Allestad et al.	D23/386
D402,023 S *	12/1998	Thallemer et al.	D23/365

D414,257 S *	9/1999	Estrada	D23/393
6,481,361 B1 *	11/2002	Schindler et al.	110/163
D508,980 S *	8/2005	Bigelow	D23/262
D557,399 S *	12/2007	Furukawa et al.	D23/386
D566,123 S *	4/2008	Takei	D14/483
D584,315 S *	1/2009	Yamaguchi	D14/483
D625,977 S *	10/2010	Watson et al.	D23/262
D651,695 S *	1/2012	Johnson et al.	D23/262

* cited by examiner

Primary Examiner — David Muller

(74) *Attorney, Agent, or Firm* — J. A. Thurnau, Esq.; P. N. Dunlap, Esq.

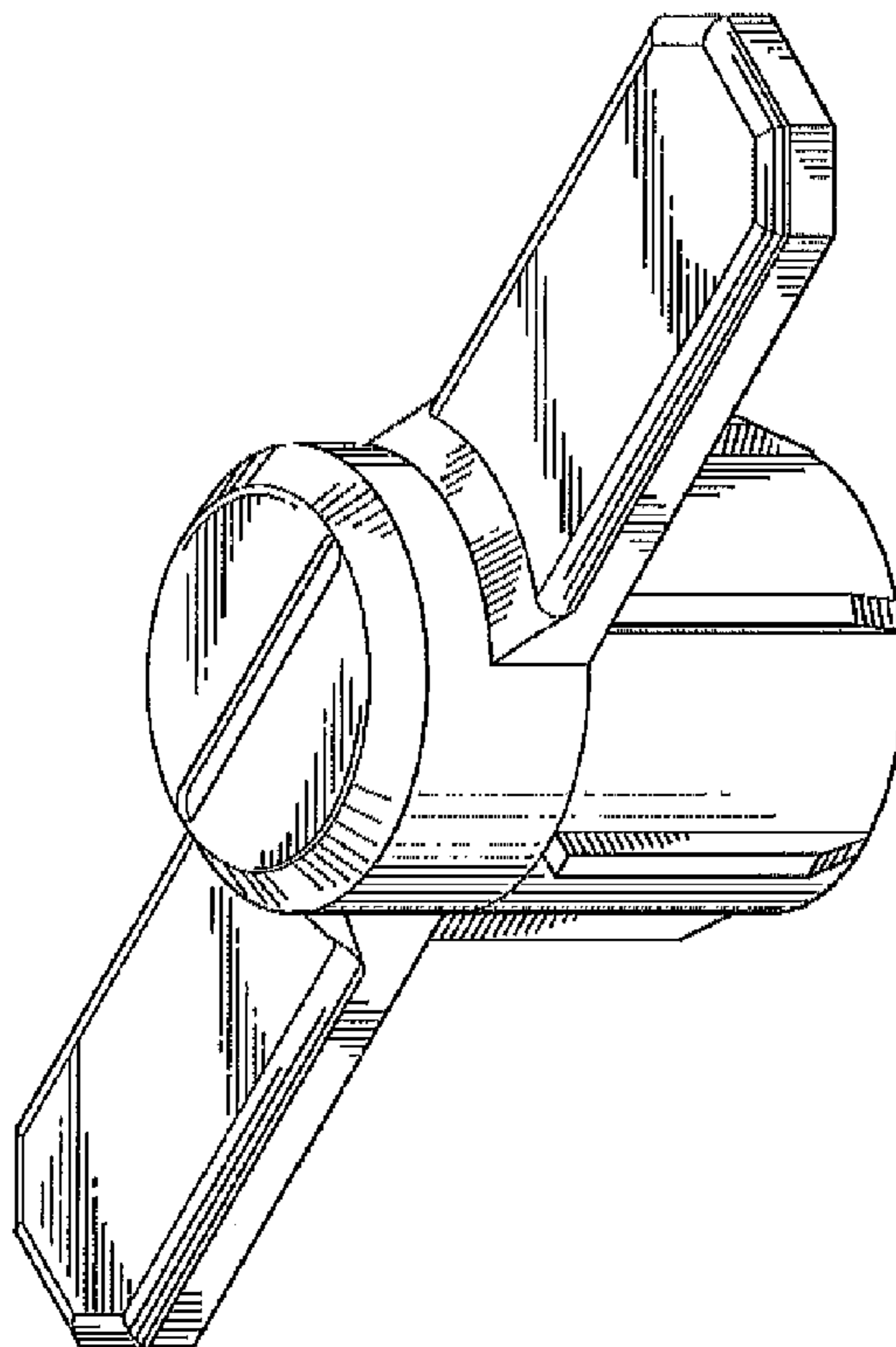
(57) **CLAIM**

The ornamental design for an indicator for a damper inside the duct work for an HVAC system, as shown and described.

DESCRIPTION

FIG. 1 is a top plan view of the indicator.
FIG. 2 is a bottom plan view thereof;
FIG. 3 is a side elevation view thereof.
FIG. 4 is a side elevation view thereof.
FIG. 5 is a cross-section view thereof taken along line 5-5 of FIG. 2;
FIG. 6 is a top perspective view thereof; and,
FIG. 7 is a bottom perspective view thereof.

1 Claim, 3 Drawing Sheets



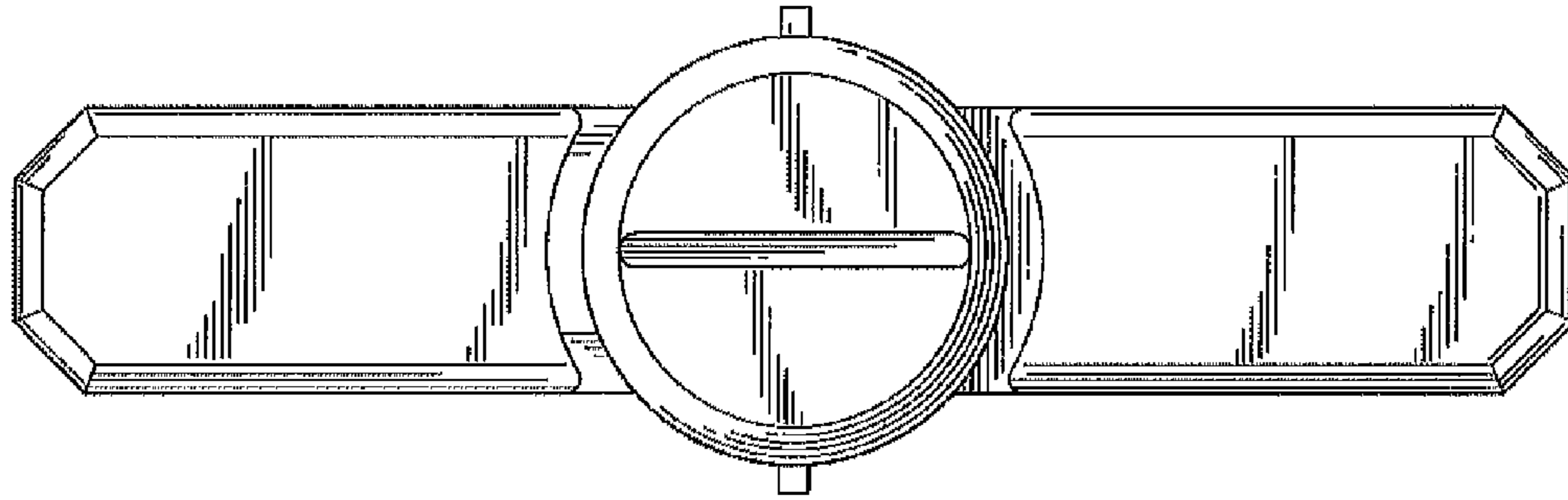


FIG. 1

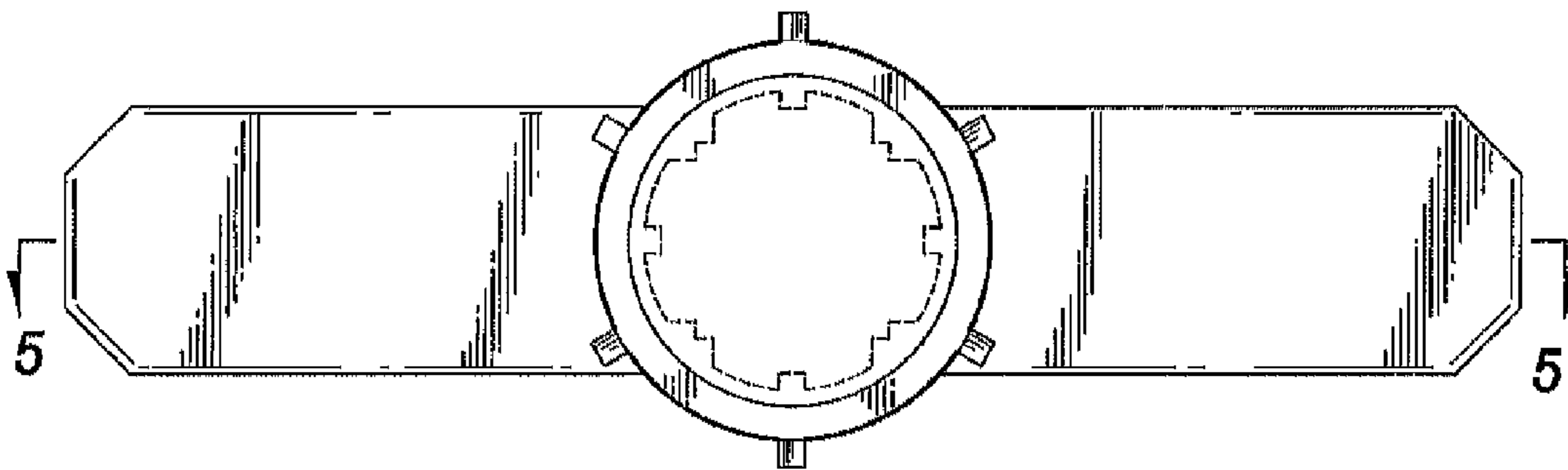


FIG. 2



FIG. 3

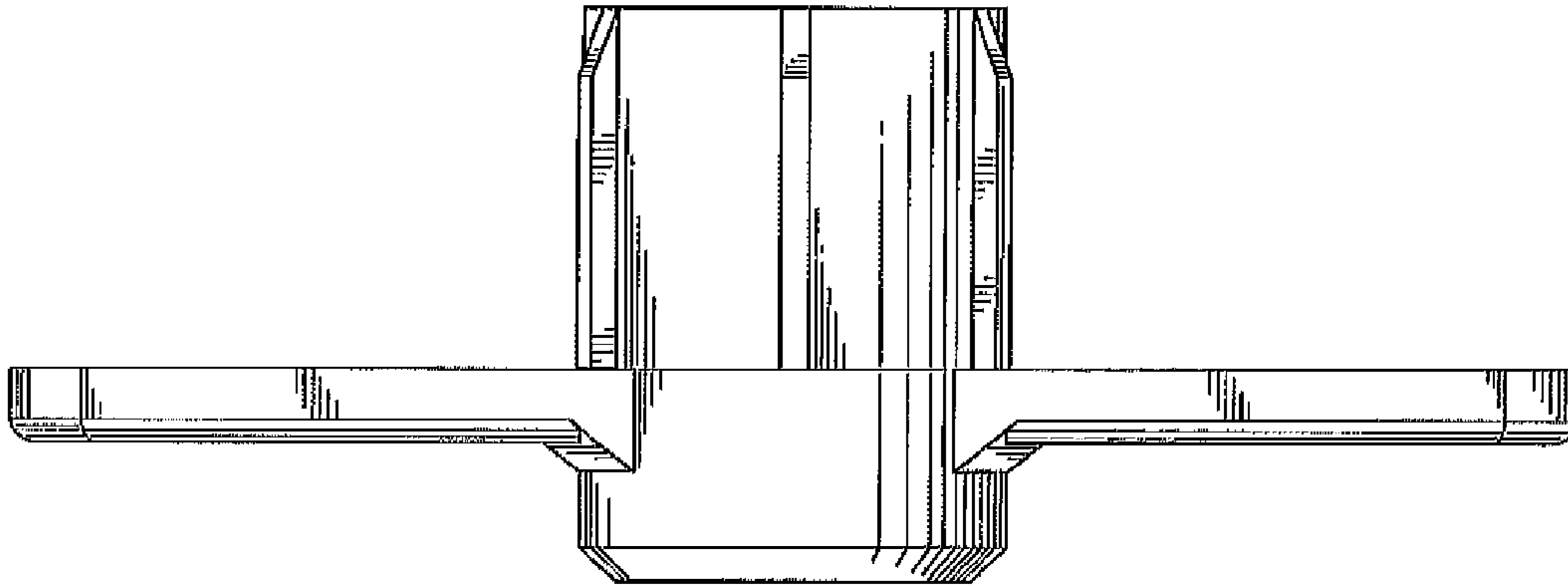


FIG.4

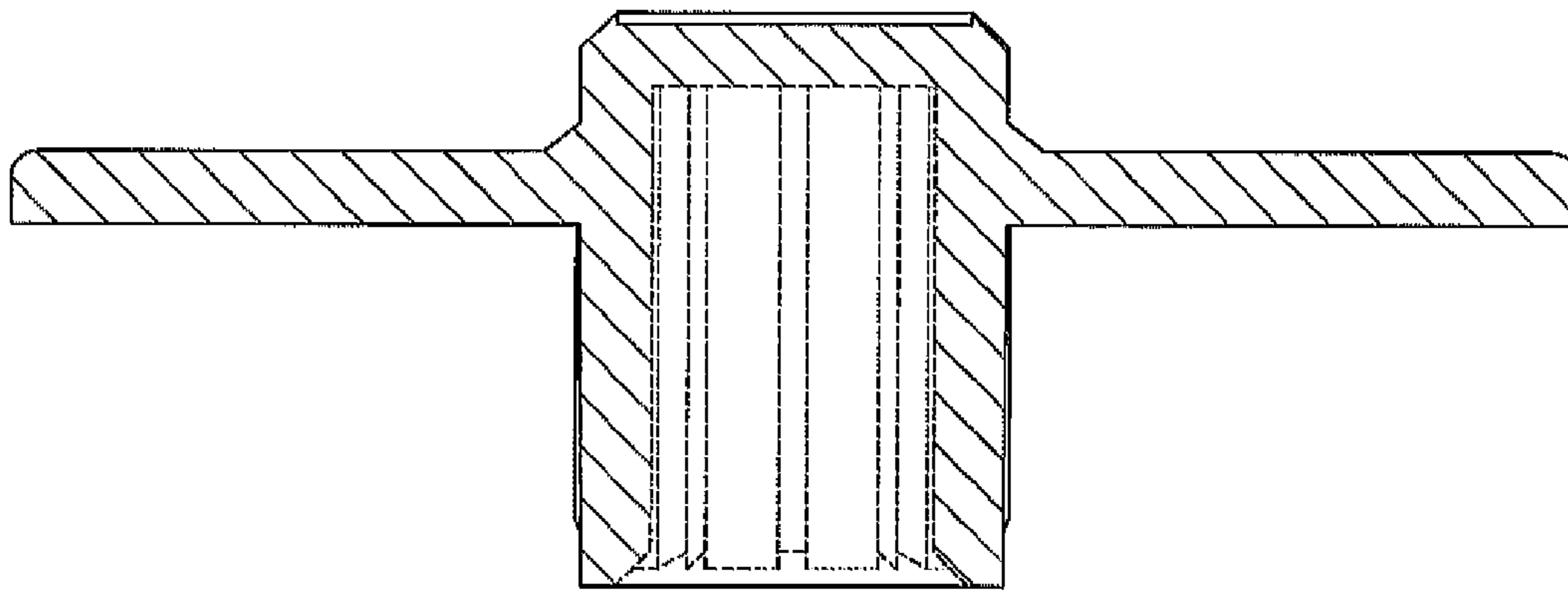


FIG.5

FIG.6

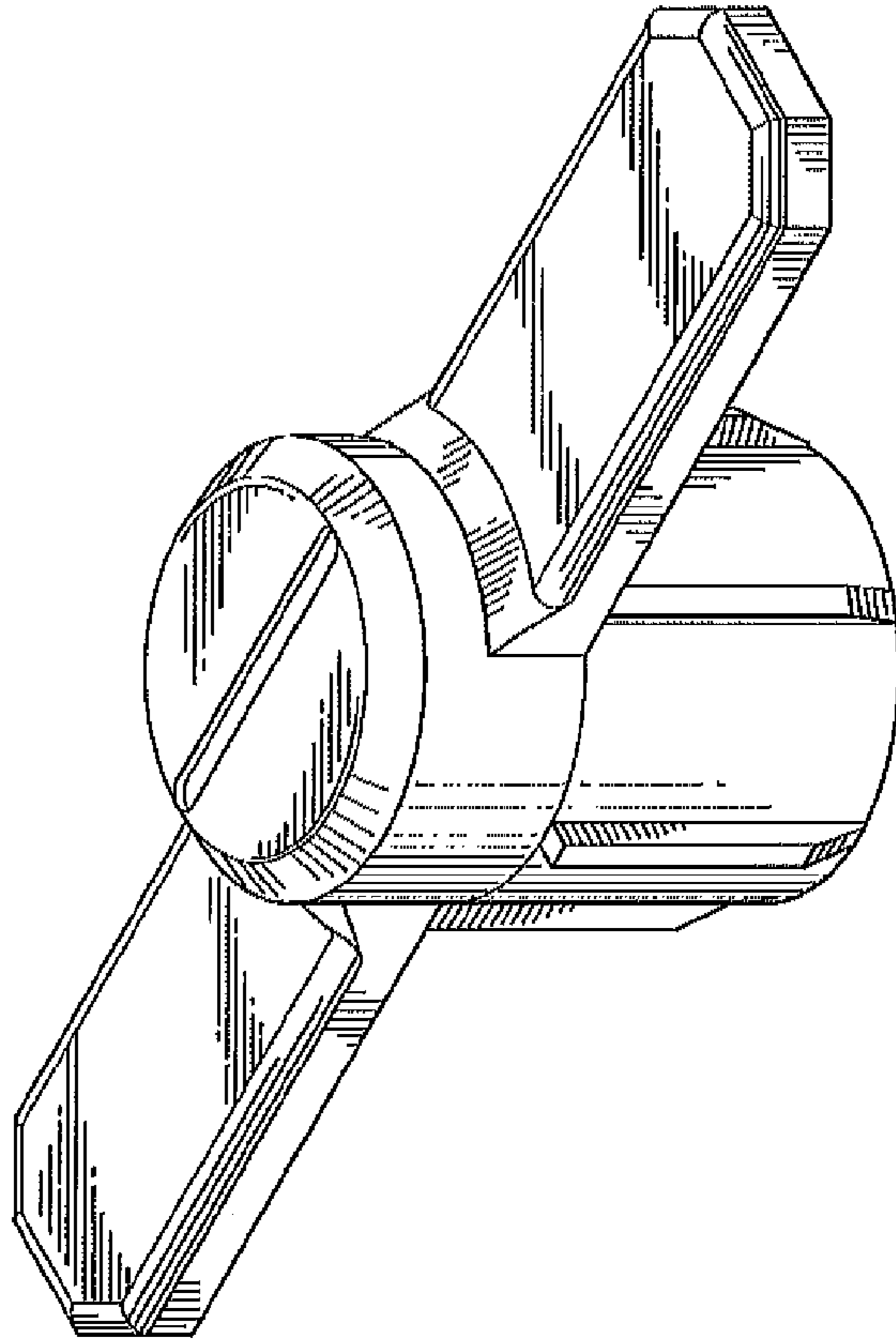


FIG.7

