



US00D664636S

(12) **United States Design Patent**
Robinson et al.

(10) **Patent No.:** **US D664,636 S**
(45) **Date of Patent:** **** Jul. 31, 2012**

(54) **PORTABLE VAPORIZER**

(75) Inventors: **Alexander Robinson**, San Francisco, CA (US); **Joseph Taylor**, San Francisco, CA (US); **Mark Williams**, San Francisco, CA (US)

(73) Assignee: **NWT Holdings, LLC.**, Seattle, WA (US)

(**) Term: **14 Years**

(21) Appl. No.: **29/396,047**

(22) Filed: **Jun. 24, 2011**

(51) **LOC (9) Cl.** **23-04**

(52) **U.S. Cl.** **D23/360**

(58) **Field of Classification Search** D23/355-366, D23/352, 369, 332, 333, 335, 336, 342, 351; 422/120, 122; 55/356, 473, 504; 96/97; D14/188, 170, 172; 261/DIG. 17, DIG. 65, 261/DIG. 88, DIG. 31; D18/34.6

See application file for complete search history.

(56) **References Cited**

U.S. PATENT DOCUMENTS

D415,266 S * 10/1999 Glattstein D23/356
D446,849 S * 8/2001 Weinberg D23/364
D503,467 S * 3/2005 Flashinski et al. D23/366

D512,494 S * 12/2005 Haranaka D23/355
D513,070 S * 12/2005 Haranaka D23/355
D523,414 S * 6/2006 Kobayashi D14/188
D539,883 S * 4/2007 Lee et al. D23/351
D575,860 S * 8/2008 Wu D23/366
D583,450 S * 12/2008 Choi D23/364
D584,281 S * 1/2009 Kim et al. D14/188
D625,398 S * 10/2010 Choi D23/364
D633,610 S * 3/2011 Wu D23/366
D636,474 S * 4/2011 Choi et al. D23/351

* cited by examiner

Primary Examiner — David Muller

(74) *Attorney, Agent, or Firm* — Steven R. Vosen

(57) **CLAIM**

We claim the ornamental design for a portable vaporizer, as shown and described.

DESCRIPTION

FIG. 1 is an upper right front perspective view of a portable vaporizer;

FIG. 2 is a top plan view thereof;

FIG. 3 is a left side elevational view thereof;

FIG. 4 is a rear elevational view thereof;

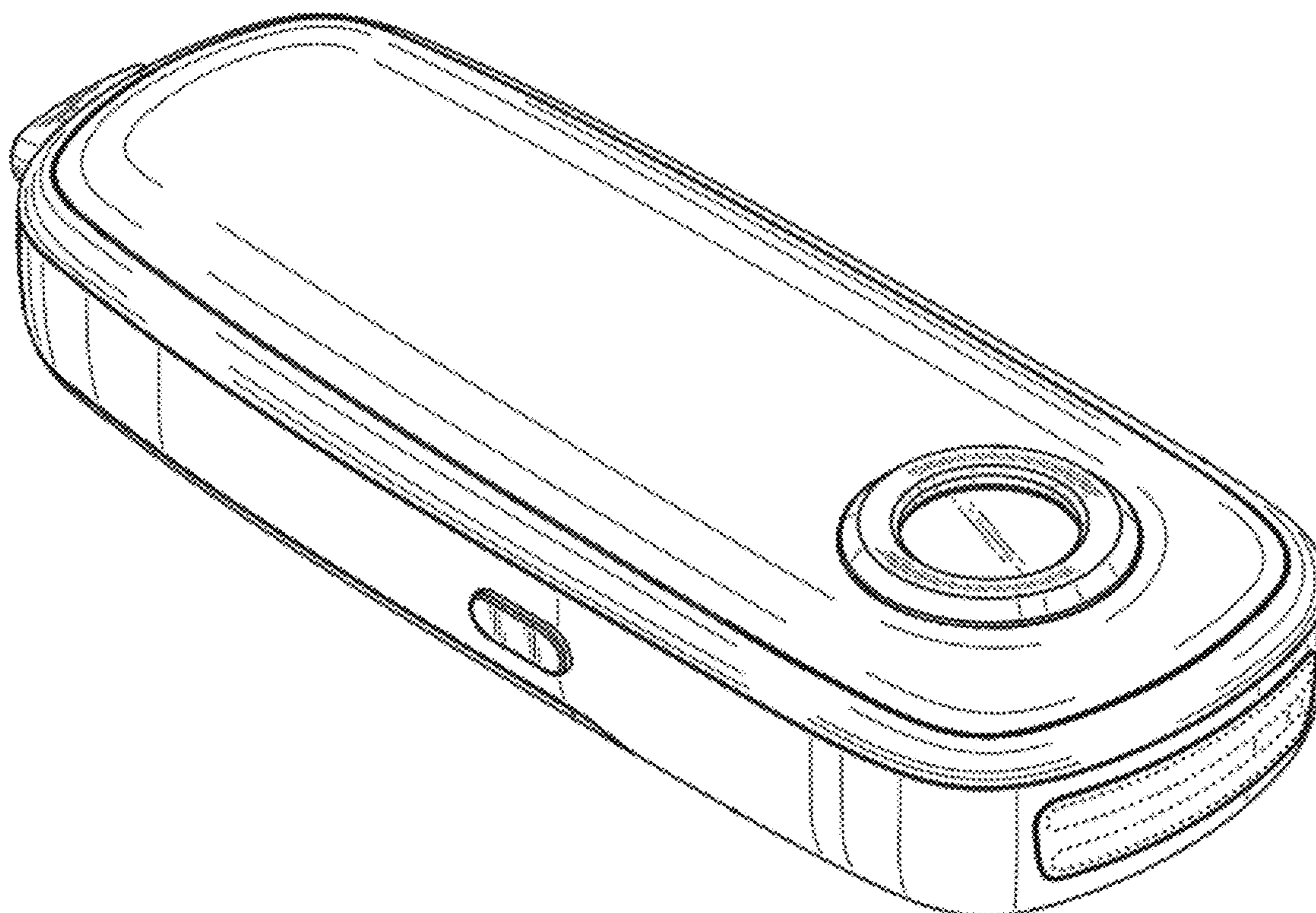
FIG. 5 is a front elevational view thereof;

FIG. 6 is a bottom plan view thereof; and,

FIG. 7 is a right side elevational view thereof.

The broken line showing of parts of the drawings is included for the purpose of illustrating use and environment and forms no part of the claimed design.

1 Claim, 4 Drawing Sheets



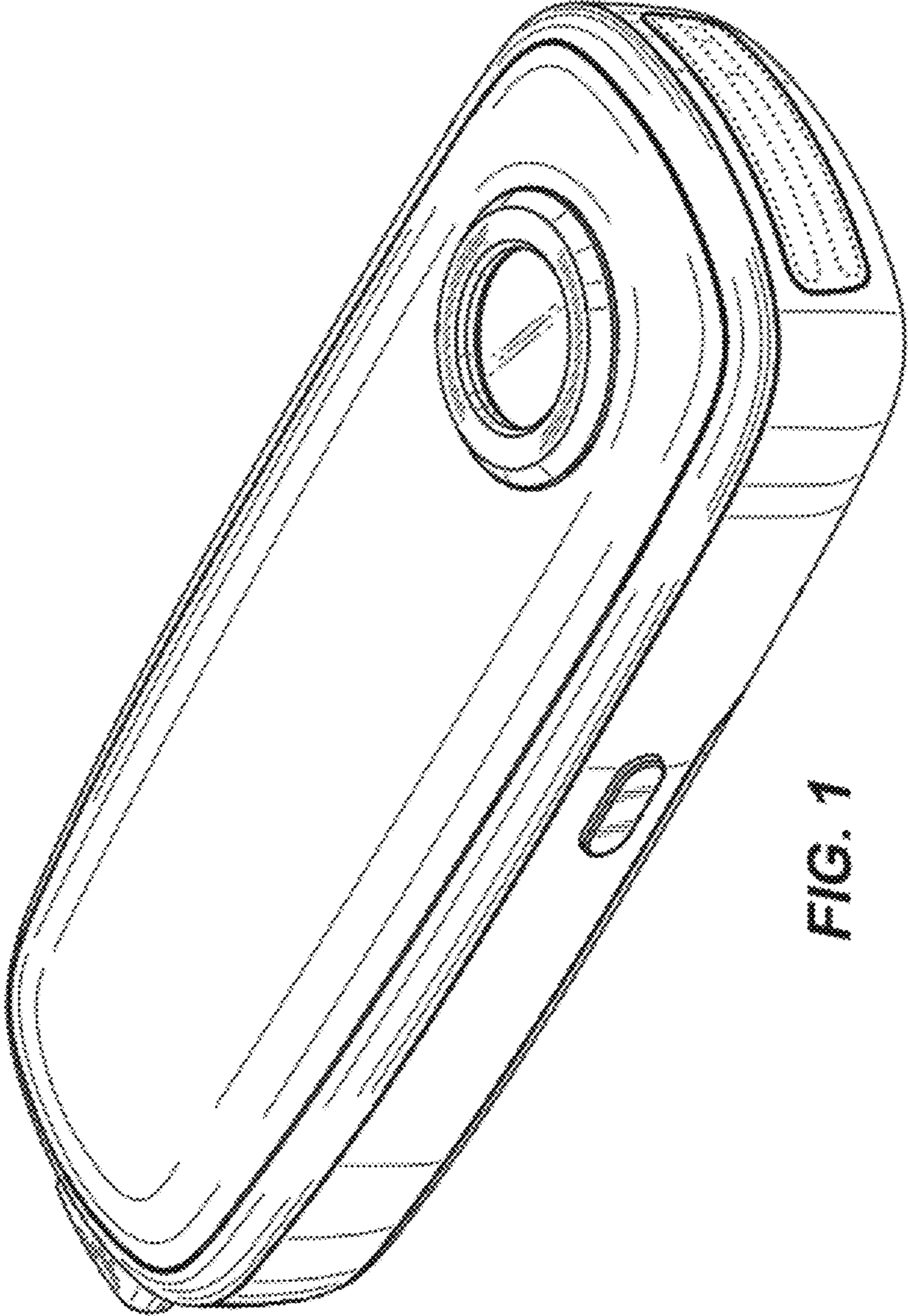


FIG. 1

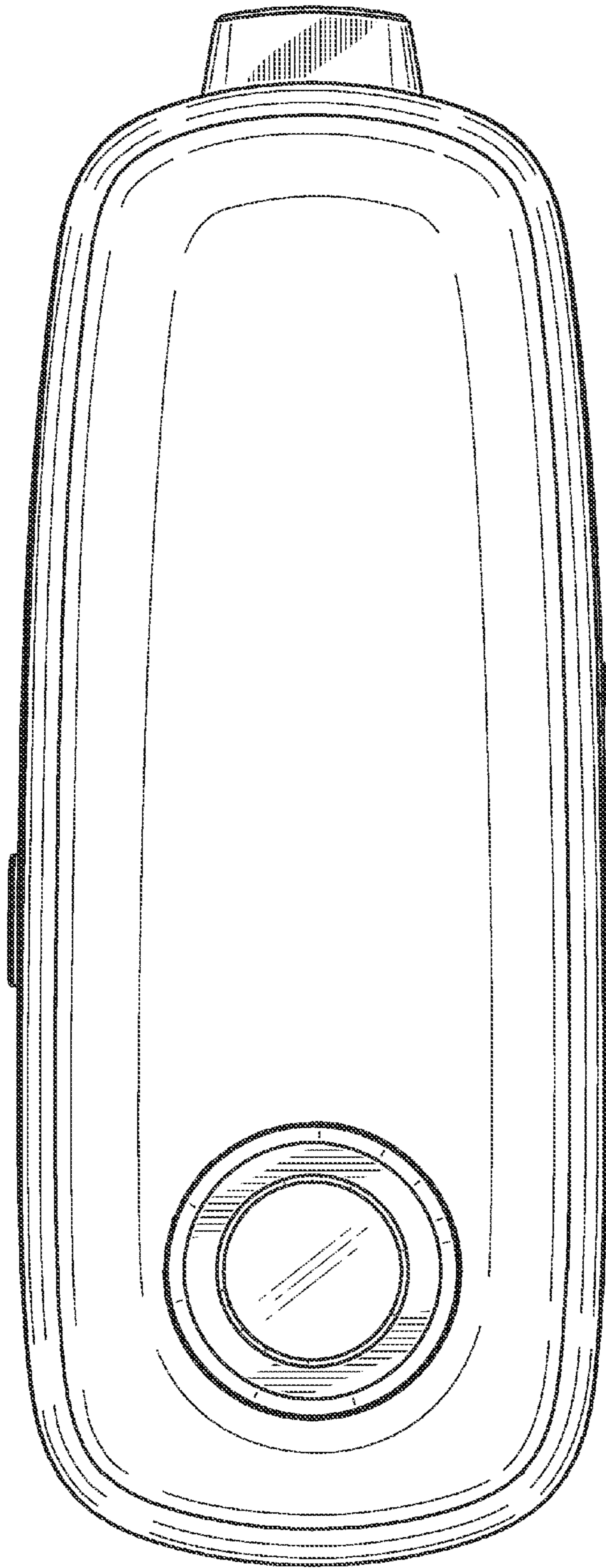


FIG. 2

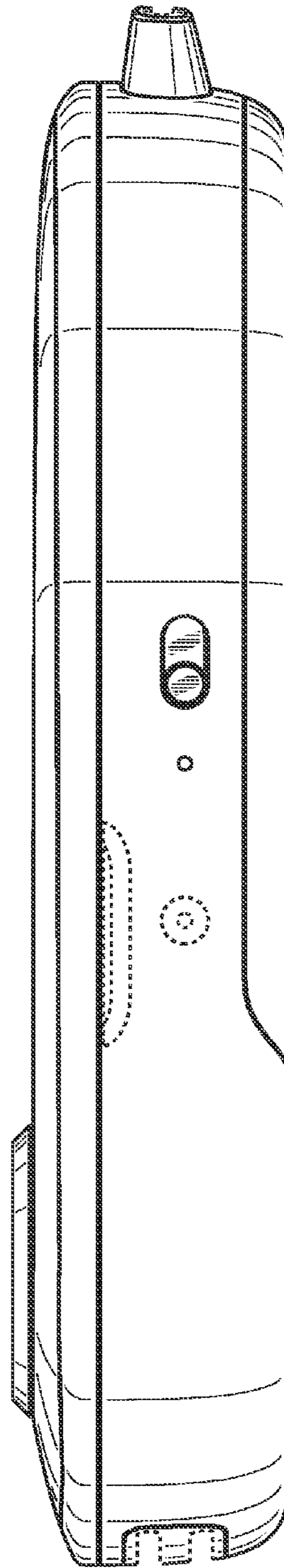


FIG. 3

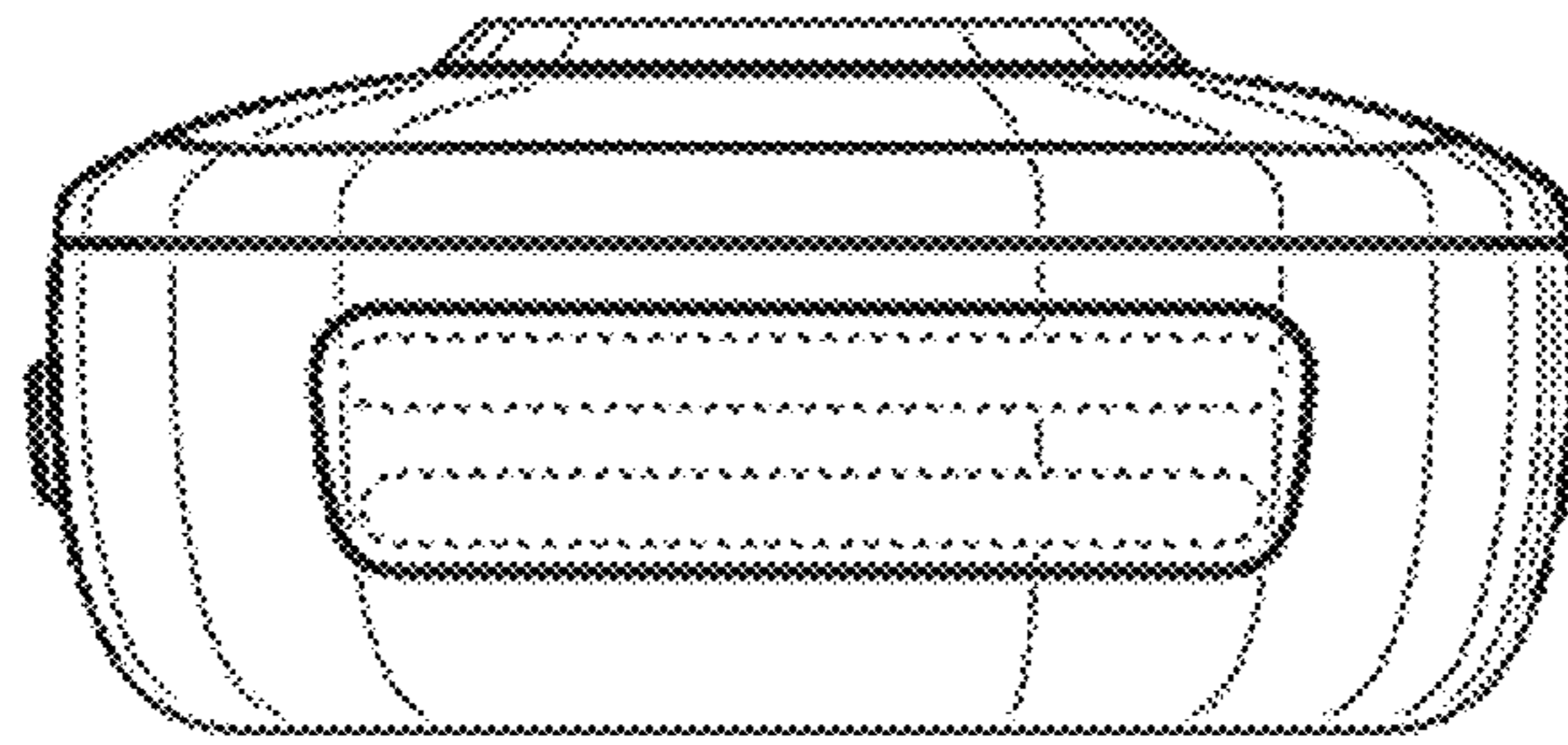


FIG. 4

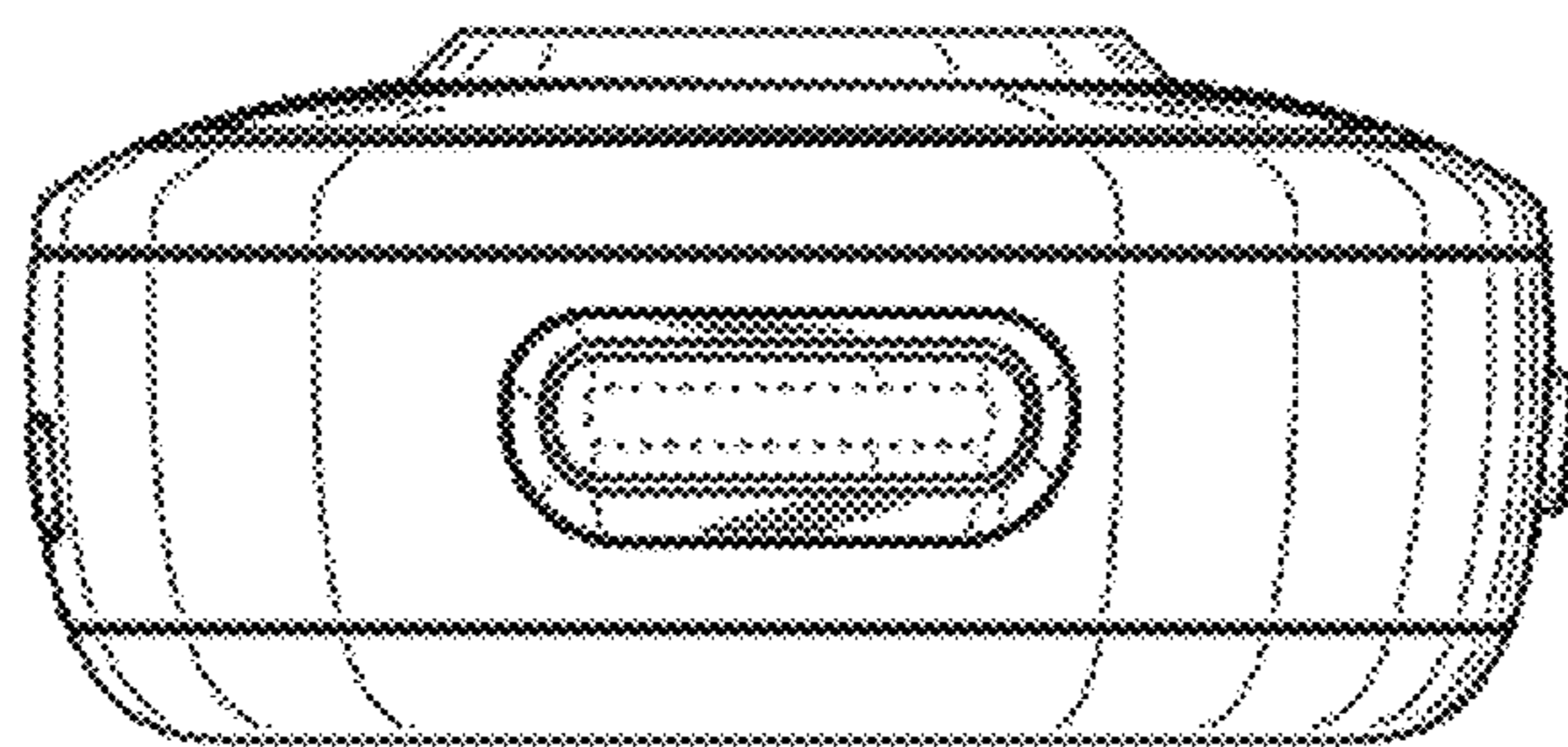


FIG. 5

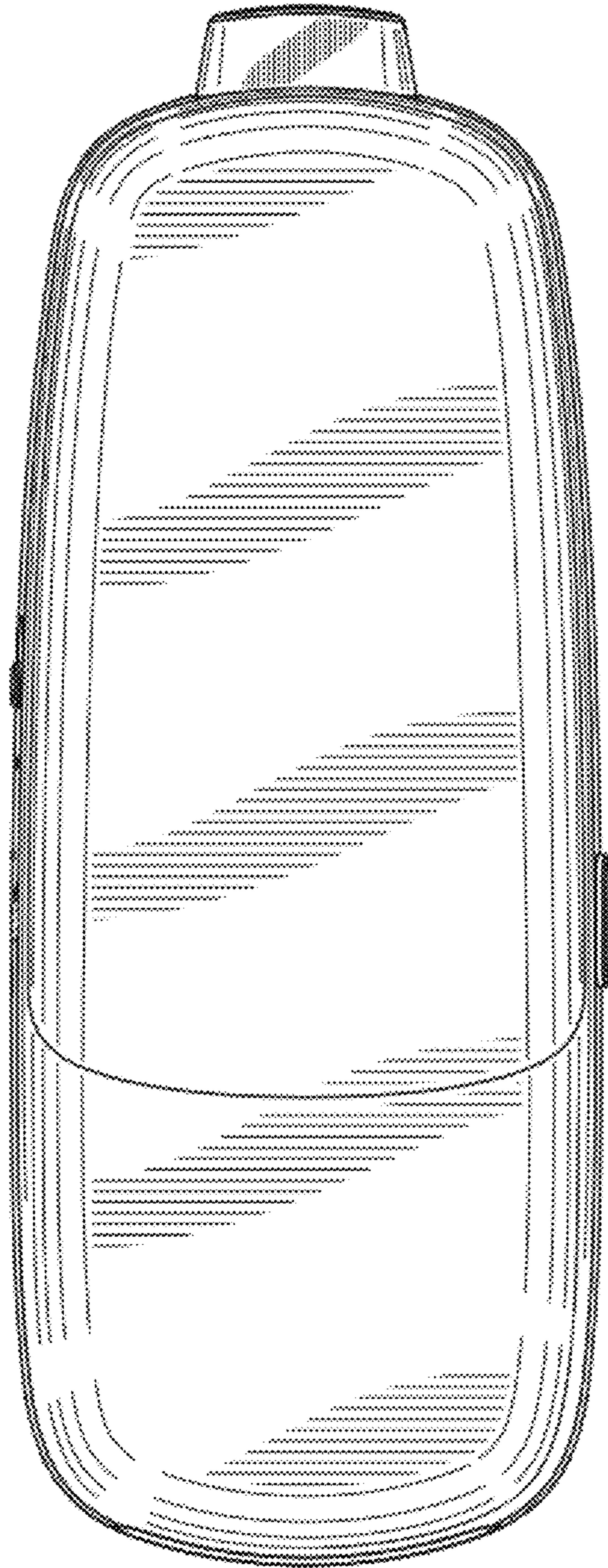


FIG. 6

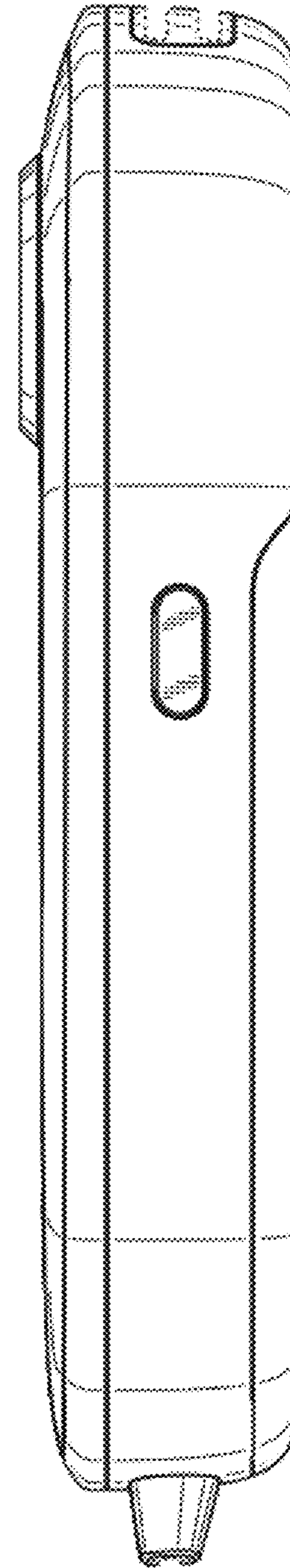


FIG. 7