



US00D664633S

(12) **United States Design Patent**
Mangold

(10) **Patent No.:** **US D664,633 S**
(45) **Date of Patent:** **** Jul. 31, 2012**

(54) **BIMETALLIC REGULATOR WITH AN ADJUSTING WHEEL INTEGRATED IN THE HOUSING FOR HEATING INSTALLATIONS**

FOREIGN PATENT DOCUMENTS

DE	889 782	9/1953
DE	1 814 600	7/1970
DE	103 23 544	12/2004
EP	1 653 490	5/2006

(75) Inventor: **Elmar Mangold**, Unterschneidheim Zöbingen (DE)

* cited by examiner

(73) Assignee: **Stego-Holding GmbH**, Schwabisch Hall (DE)

Primary Examiner — T. Chase Nelson
Assistant Examiner — Ania Aman

(**) Term: **14 Years**

(74) *Attorney, Agent, or Firm* — Hamre, Schumann, Mueller & Larson, P.C.

(21) Appl. No.: **29/396,349**

(57) **CLAIM**

(22) Filed: **Jun. 29, 2011**

The ornamental design for bimetallic regulator with an adjusting wheel integrated in the housing for heating installations, as shown and described.

(51) **LOC (9) Cl.** **23-03**

(52) **U.S. Cl.** **D23/314**

(58) **Field of Classification Search** D23/314,
D23/322, 341; D10/46, 49, 50, 51, 52, 53,
D10/57, 102; D13/168, 184, 199; D14/104,
D14/106

DESCRIPTION

See application file for complete search history.

FIG. 1 is a perspective view of a bimetallic regulator with an adjusting wheel integrated in the housing for heating installations showing my new design;
FIG. 2 is a perspective rear view thereof;
FIG. 3 is a front view thereof;
FIG. 4 is a side view thereof, both side views being the same;
FIG. 5 is a top view thereof;
FIG. 6 is a rear view thereof; and,
FIG. 7 is a bottom view thereof.

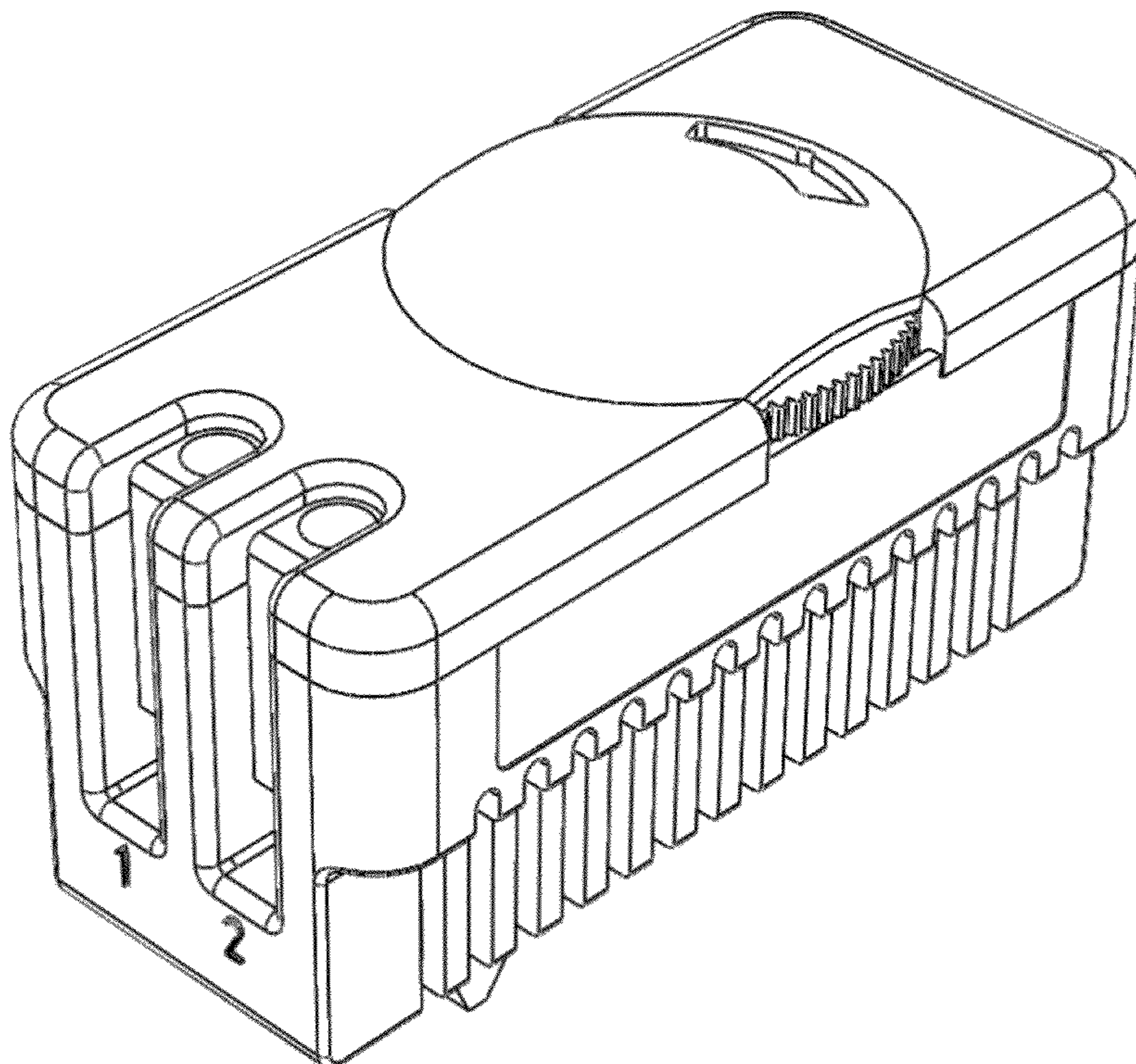
The broken lines in FIGS. 3-6 show interior structure and are for illustrative purposes only and form no part of the claimed design.

(56) **References Cited**

U.S. PATENT DOCUMENTS

D193,618 S *	9/1962	Reed et al.	D10/50
D201,914 S *	8/1965	Monson et al.	D10/50
D225,453 S *	12/1972	Hill	D10/50
D247,480 S *	3/1978	Gilson	D10/96
D558,072 S *	12/2007	Simon et al.	D10/50
D602,382 S *	10/2009	Kennedy et al.	D10/50
D614,976 S *	5/2010	Skafdrup et al.	D10/50

1 Claim, 7 Drawing Sheets



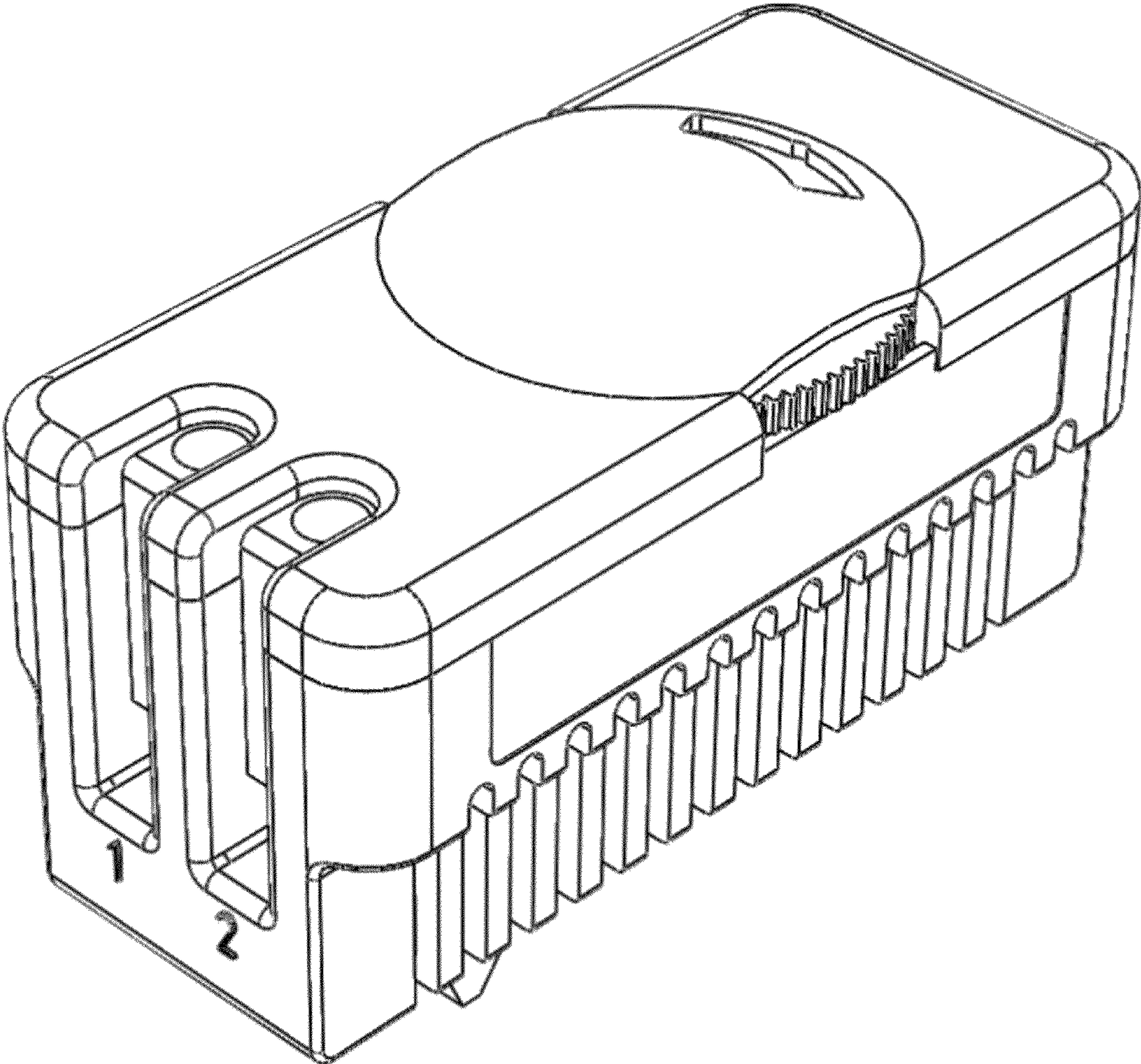


FIG. 1

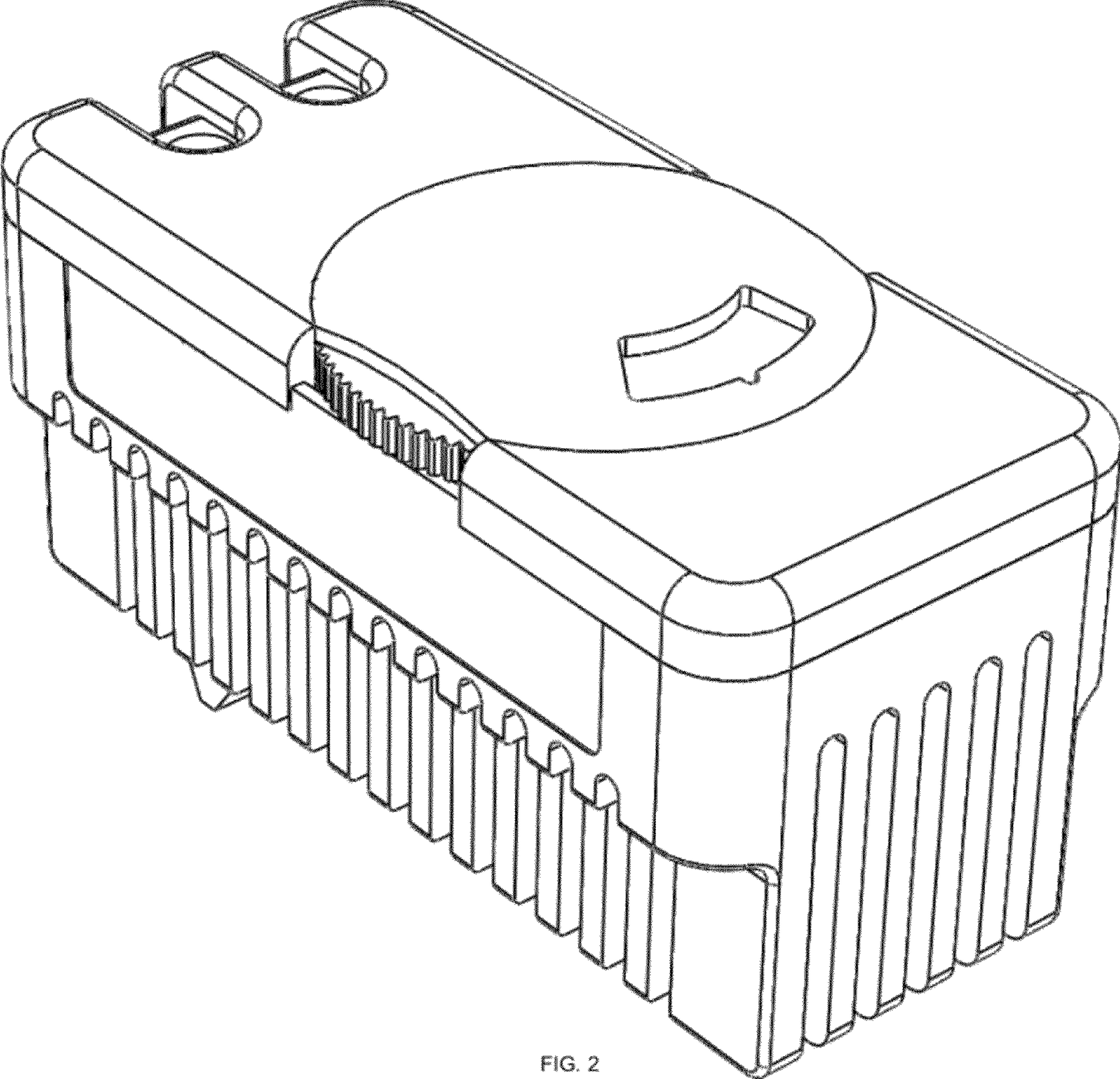


FIG. 2

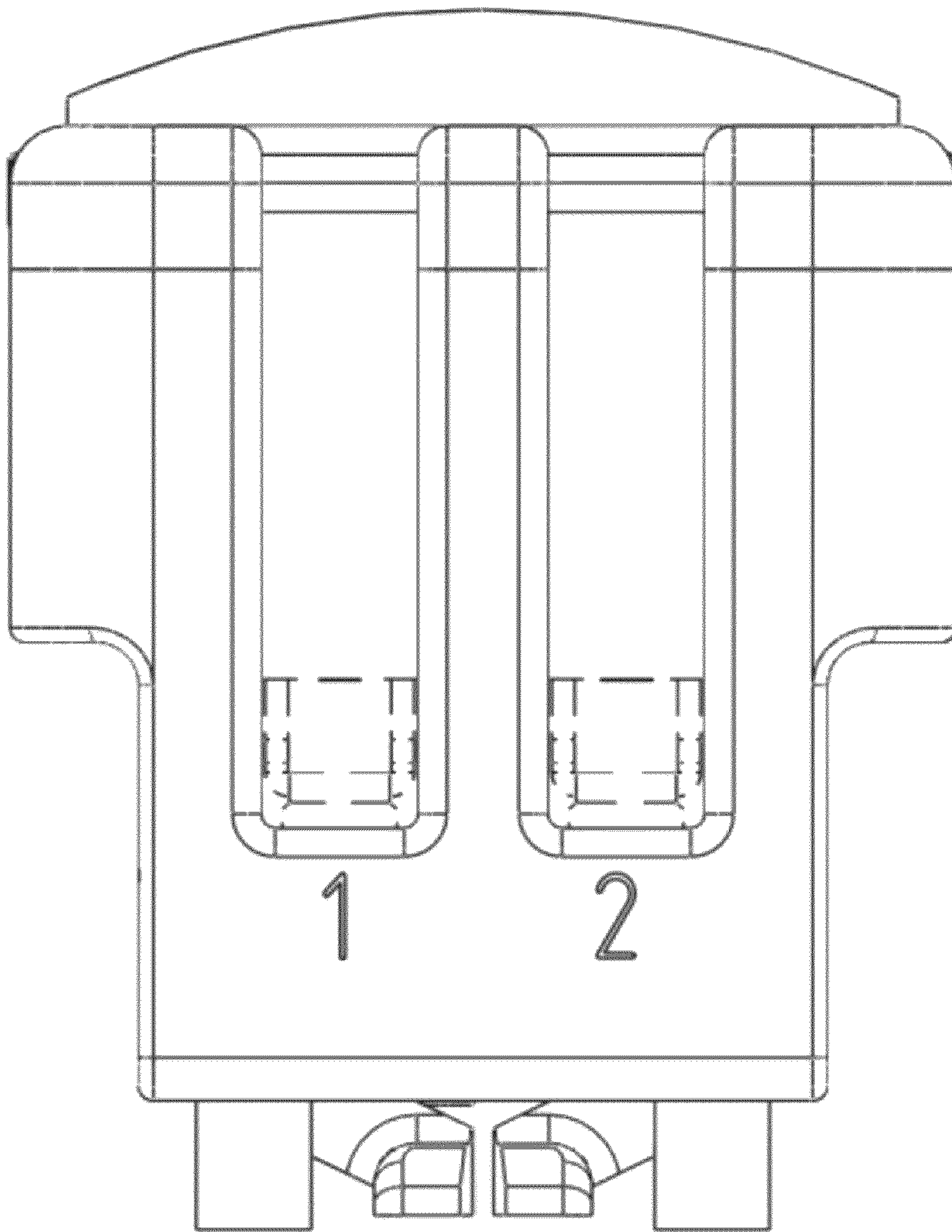


Fig. 3

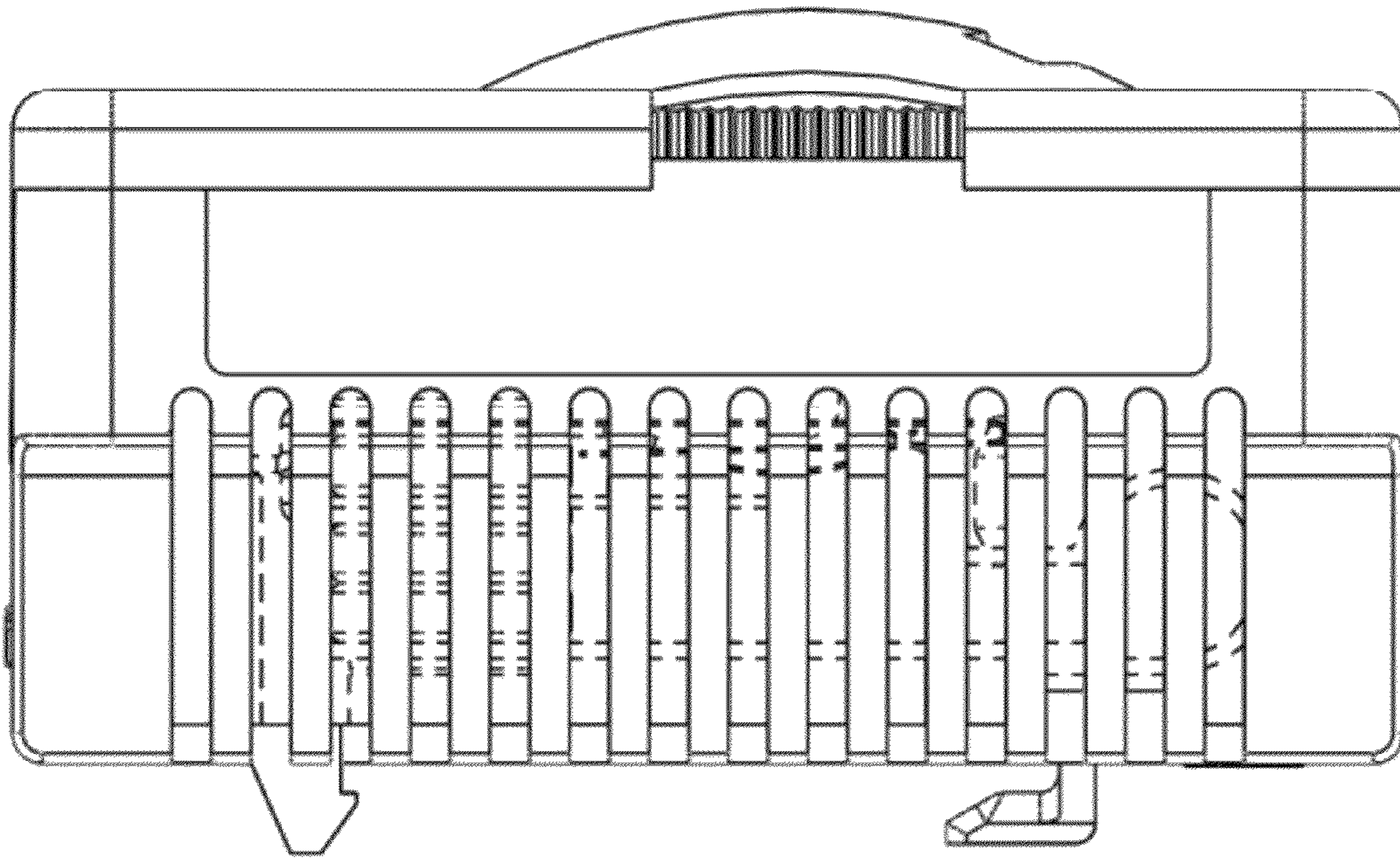


Fig. 4

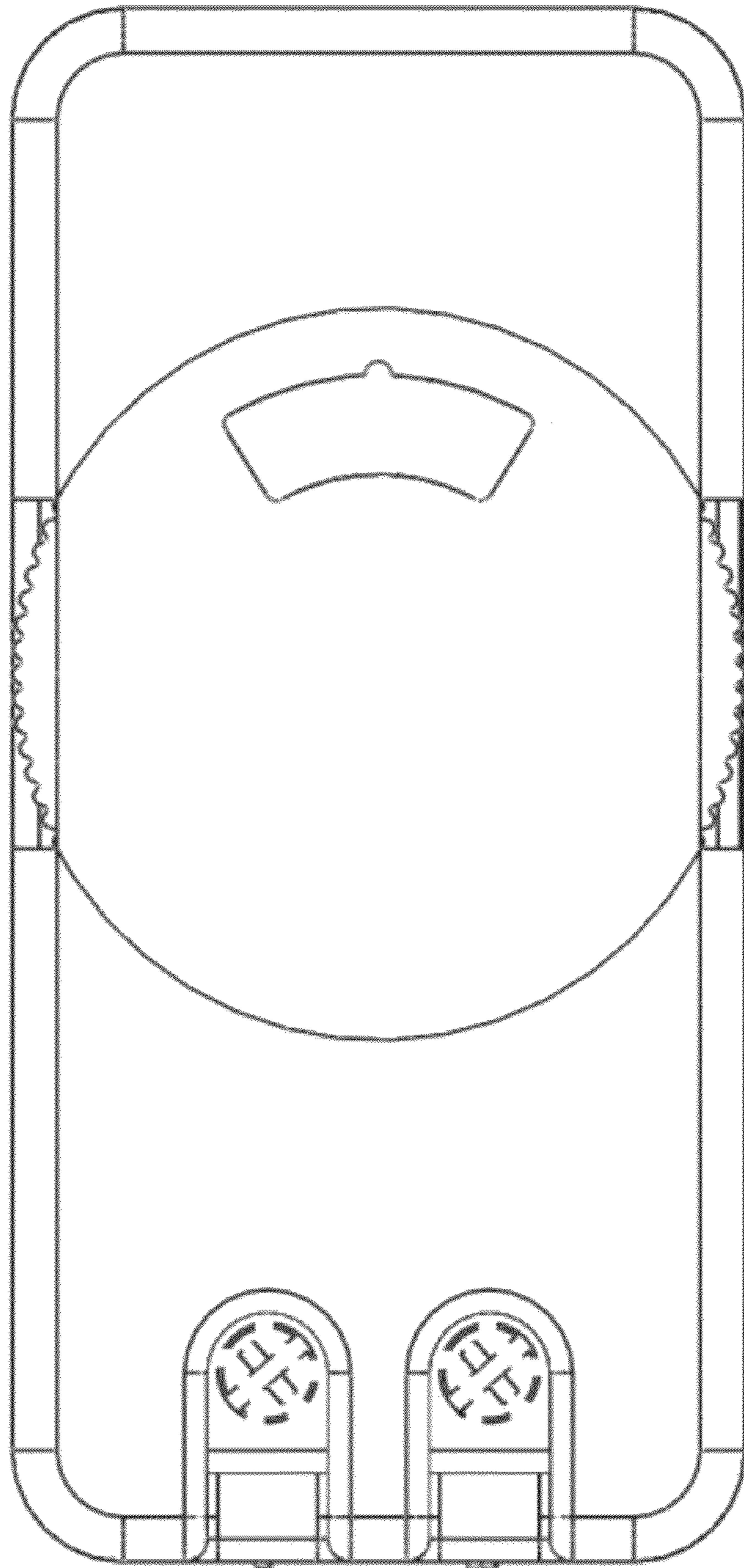


Fig. 5

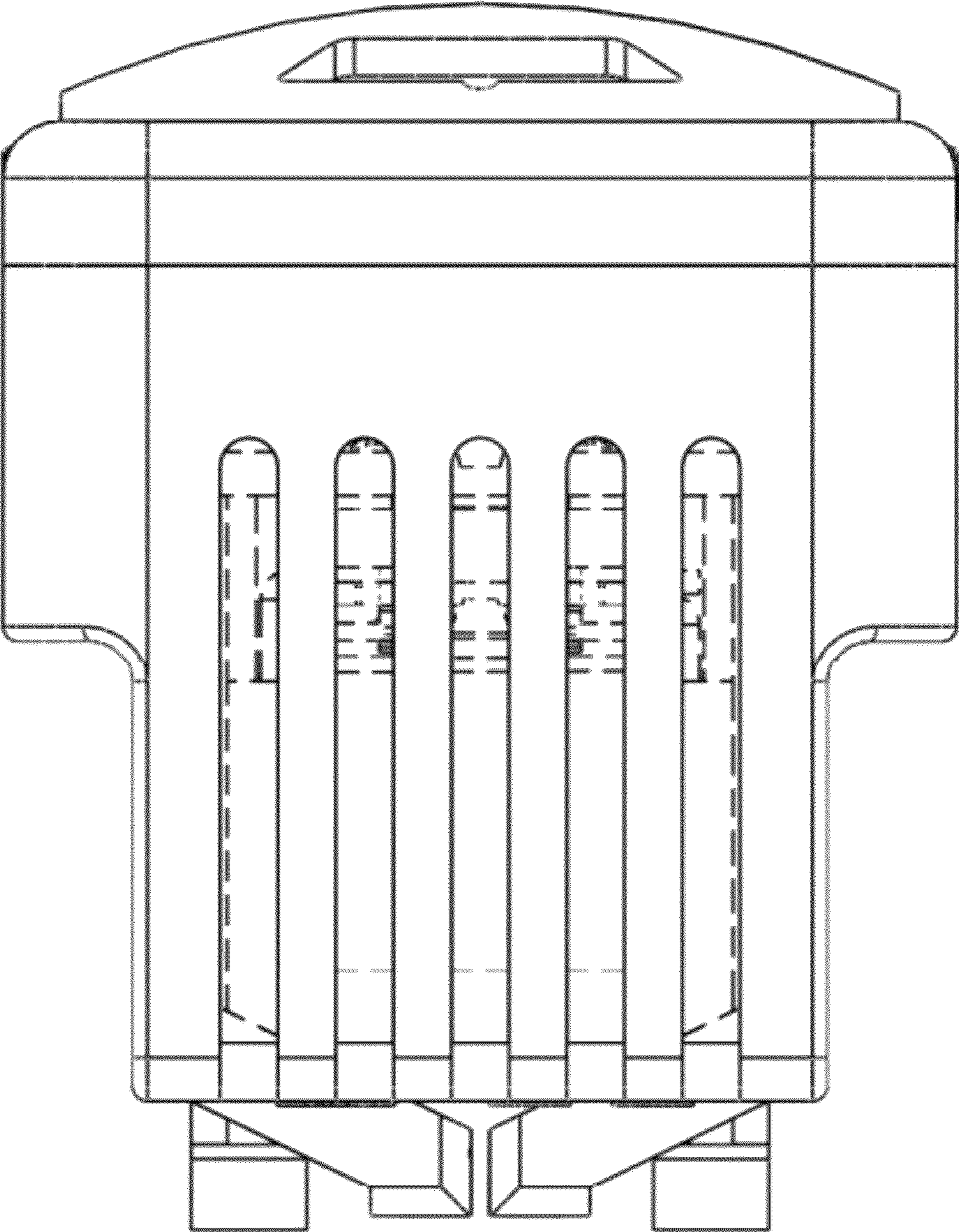


Fig. 6

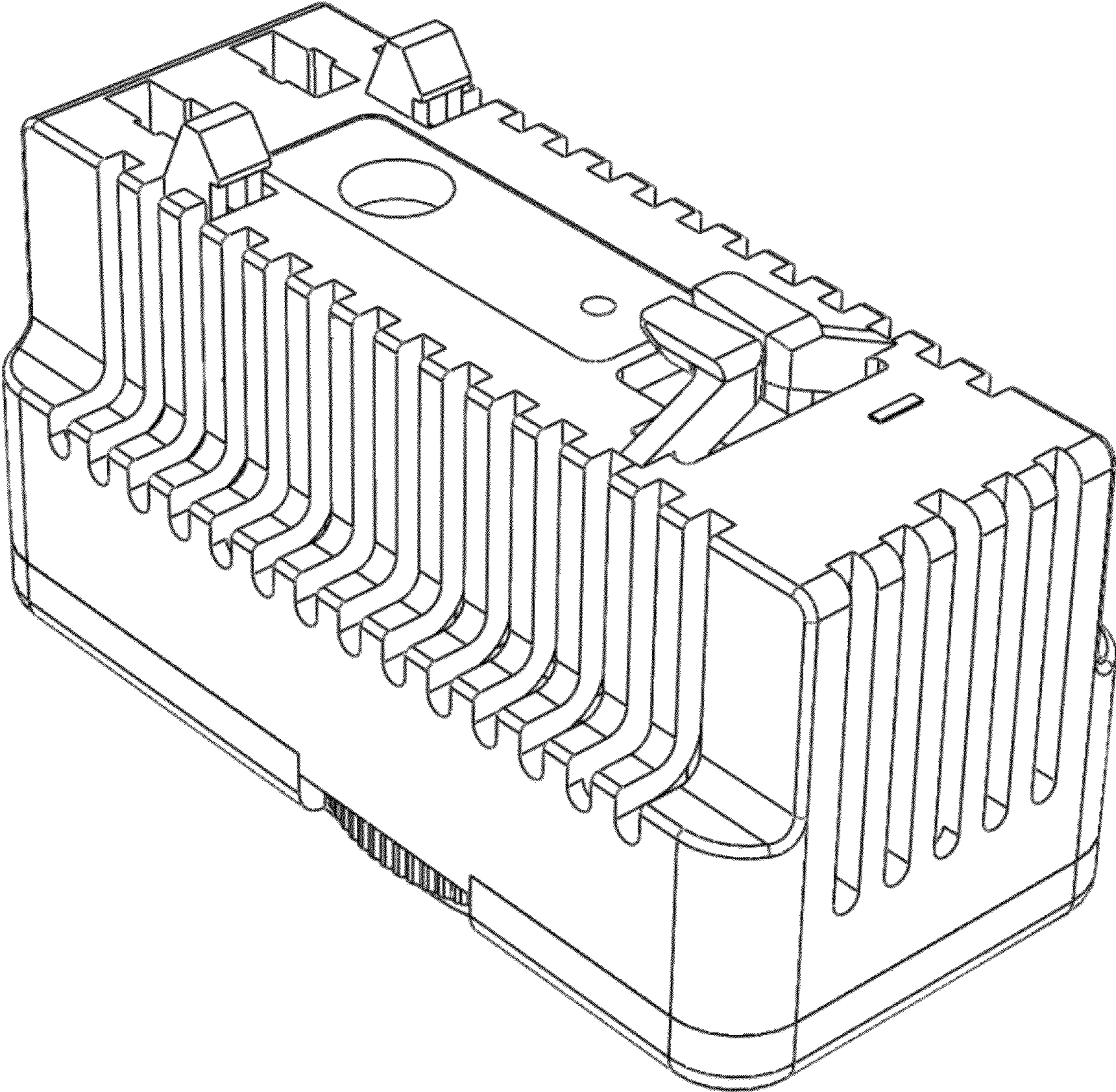


FIG. 7