



US00D664632S

(12) **United States Design Patent**  
**Moe**

(10) **Patent No.:** **US D664,632 S**

(45) **Date of Patent:** **\*\* Jul. 31, 2012**

(54) **FIRE DEPARTMENT CONNECTION PLUG**

(76) Inventor: **Gary Morgan Moe**, Fountain Valley, CA (US)

(\*\*) Term: **14 Years**

(21) Appl. No.: **29/378,876**

(22) Filed: **Nov. 10, 2010**

(51) **LOC (9) Cl.** ..... **23-01**

(52) **U.S. Cl.** ..... **D23/260**

(58) **Field of Classification Search** ..... D23/260-261;  
4/286-287, 293, 295; 285/360, 148.19, 148.2,  
285/376, 401

See application file for complete search history.

6,238,505 B1	5/2001	Bulger	
D491,062 S	6/2004	Hoff	
D564,879 S	3/2008	Baughman	
D576,713 S *	9/2008	Mullis	D23/260
D581,775 S	12/2008	Croisdale et al.	
7,624,759 B1 *	12/2009	Ismert et al.	138/89
D621,480 S *	8/2010	Campbell	D23/260
D647,182 S *	10/2011	Gonzalez et al.	D23/260
2010/0163131 A1 *	7/2010	Fehr et al.	138/89

\* cited by examiner

*Primary Examiner* — Eric Goodman

(74) *Attorney, Agent, or Firm* — Mind Law Firm, P.C.; Justin G. Sanders; Jeromye V. Sartain

(57) **CLAIM**

The ornamental design for a fire department connection plug, as shown and described.

(56) **References Cited**

U.S. PATENT DOCUMENTS

2,962,185 A	11/1960	Starr et al.	
3,027,042 A	3/1962	Graves	
3,944,114 A	3/1976	Coppens	
4,360,041 A *	11/1982	Hagan et al.	138/89
4,402,531 A	9/1983	Kennedy, Jr.	
4,651,771 A	3/1987	Borenstein et al.	
4,823,411 A *	4/1989	Nettel	4/256.1
5,645,099 A *	7/1997	Eaton et al.	137/15.08
5,971,189 A	10/1999	Baughman	

**DESCRIPTION**

FIG. 1 is a perspective view of my new fire department connection plug design;

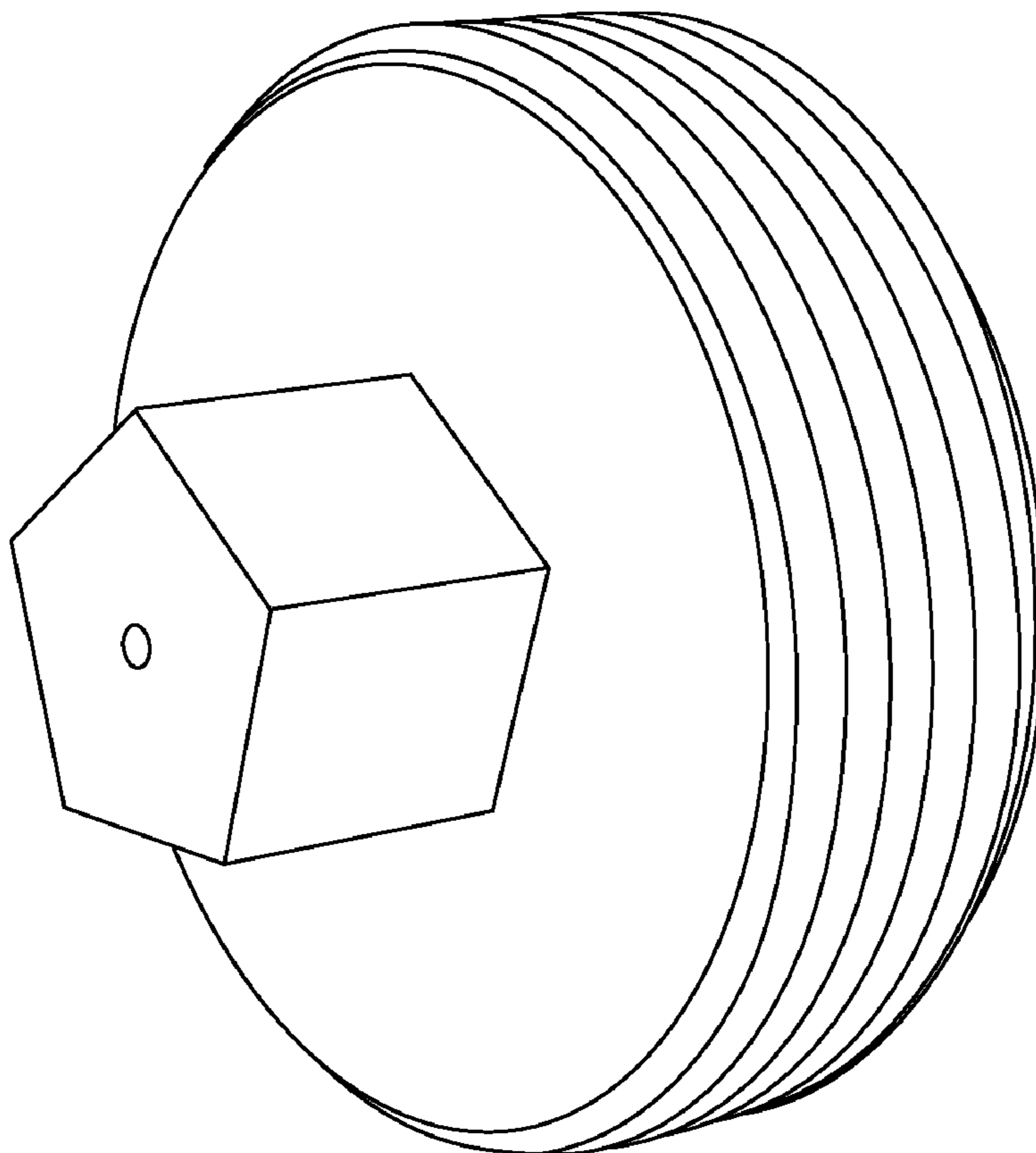
FIG. 2 is a top plan view thereof;

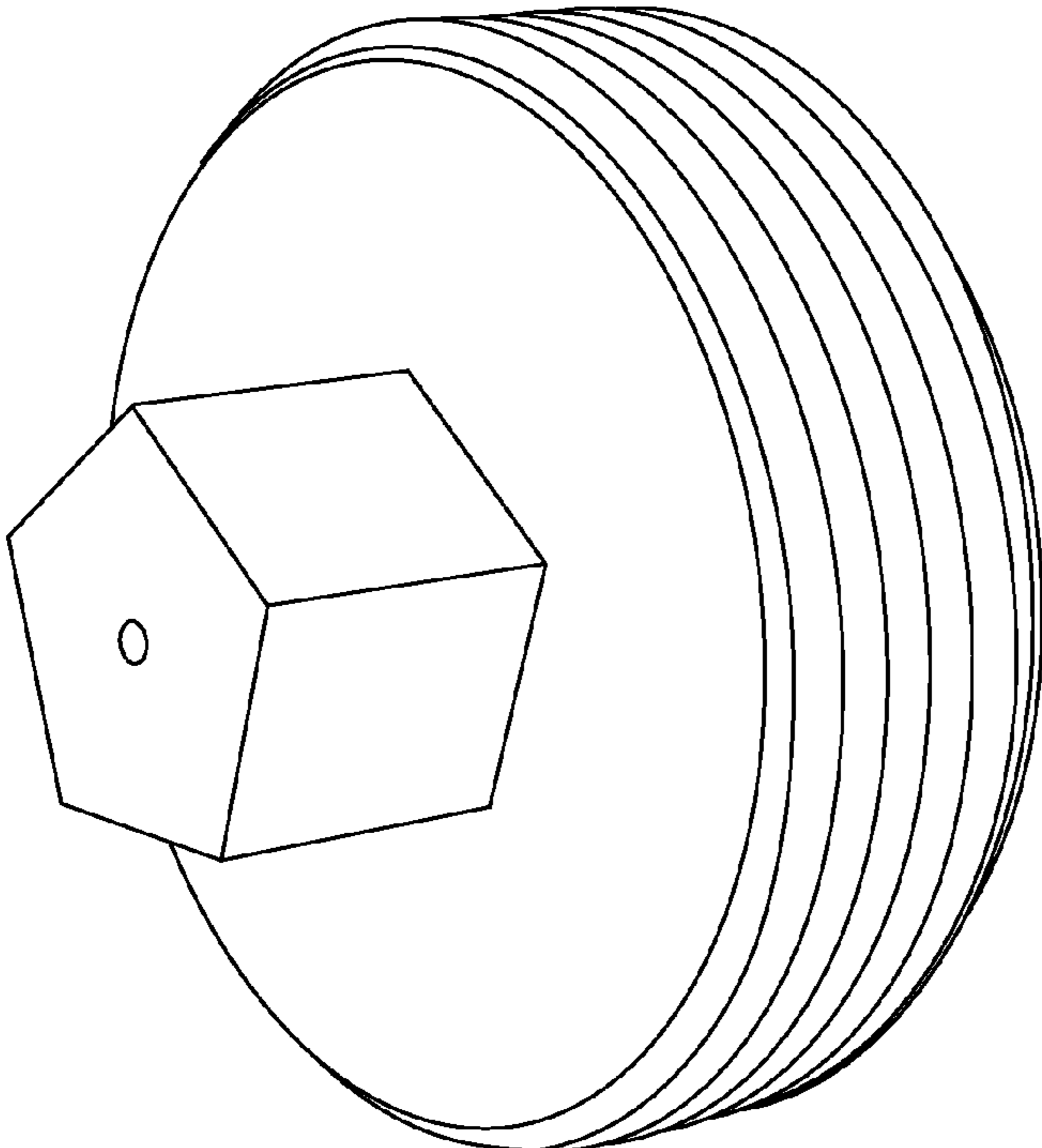
FIG. 3 is a bottom plan view thereof; and,

FIG. 4 is a side elevational view thereof.

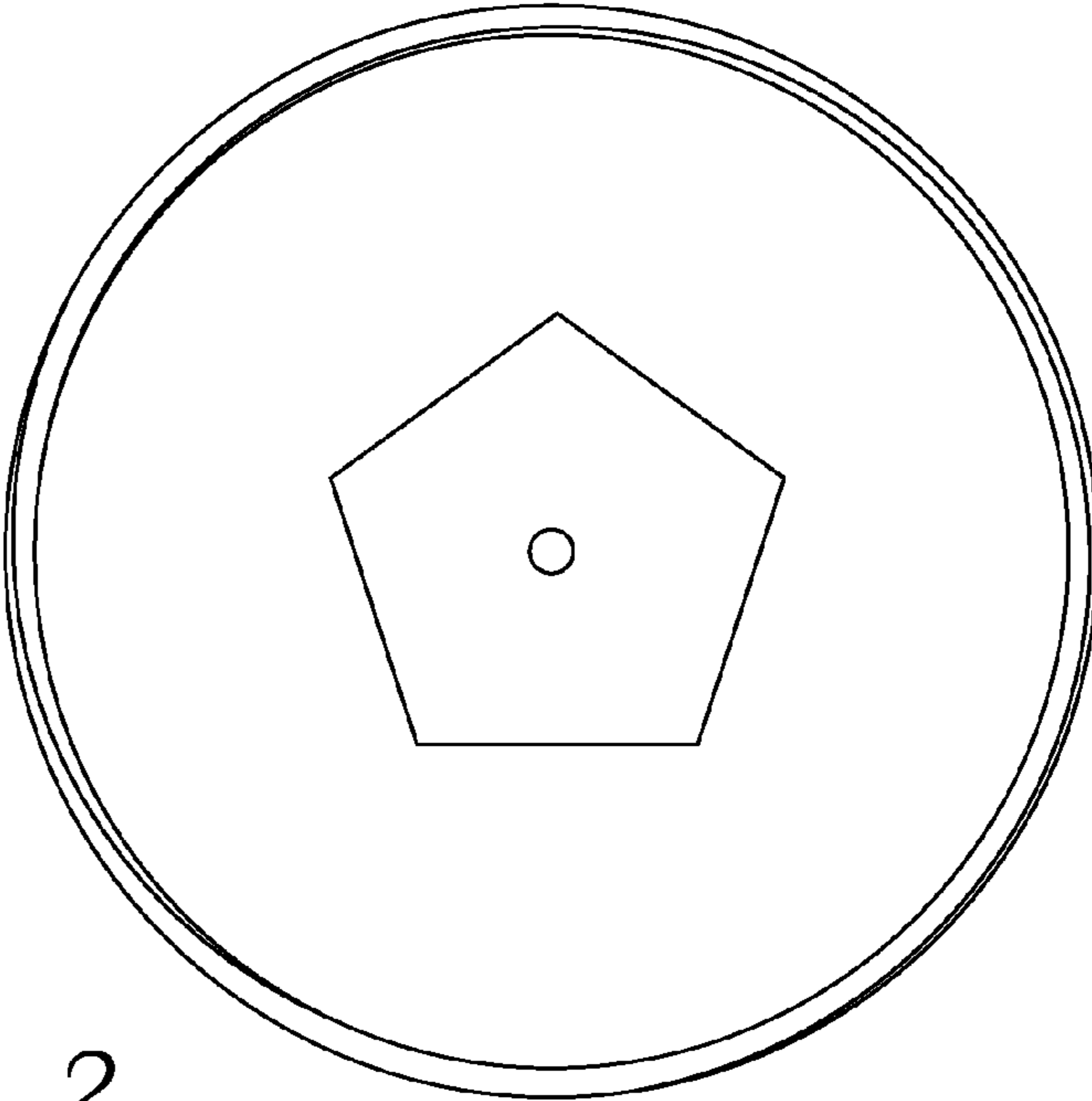
The broken lines are for illustrative purposes only and form no part of the claimed design.

**1 Claim, 2 Drawing Sheets**

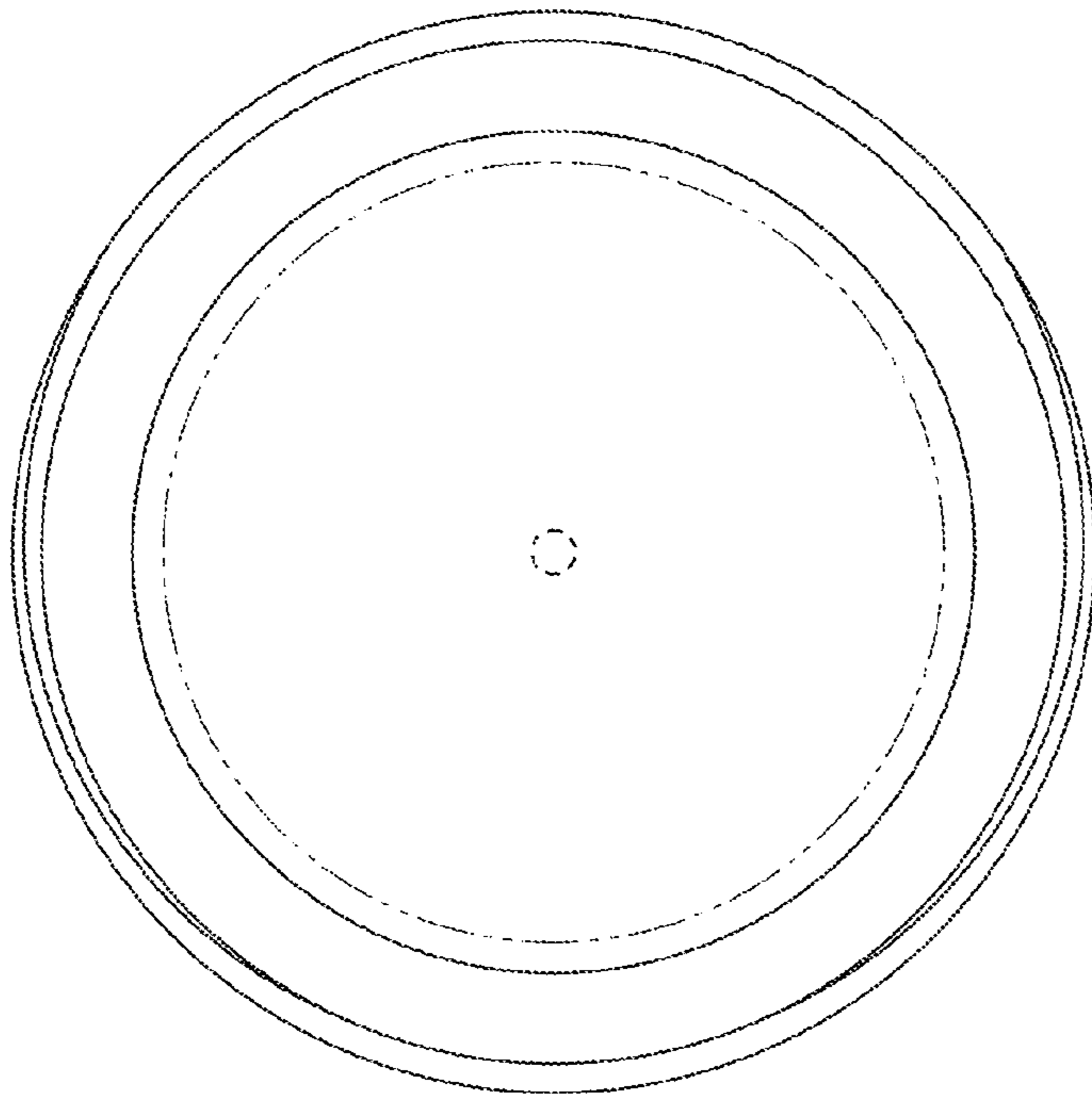




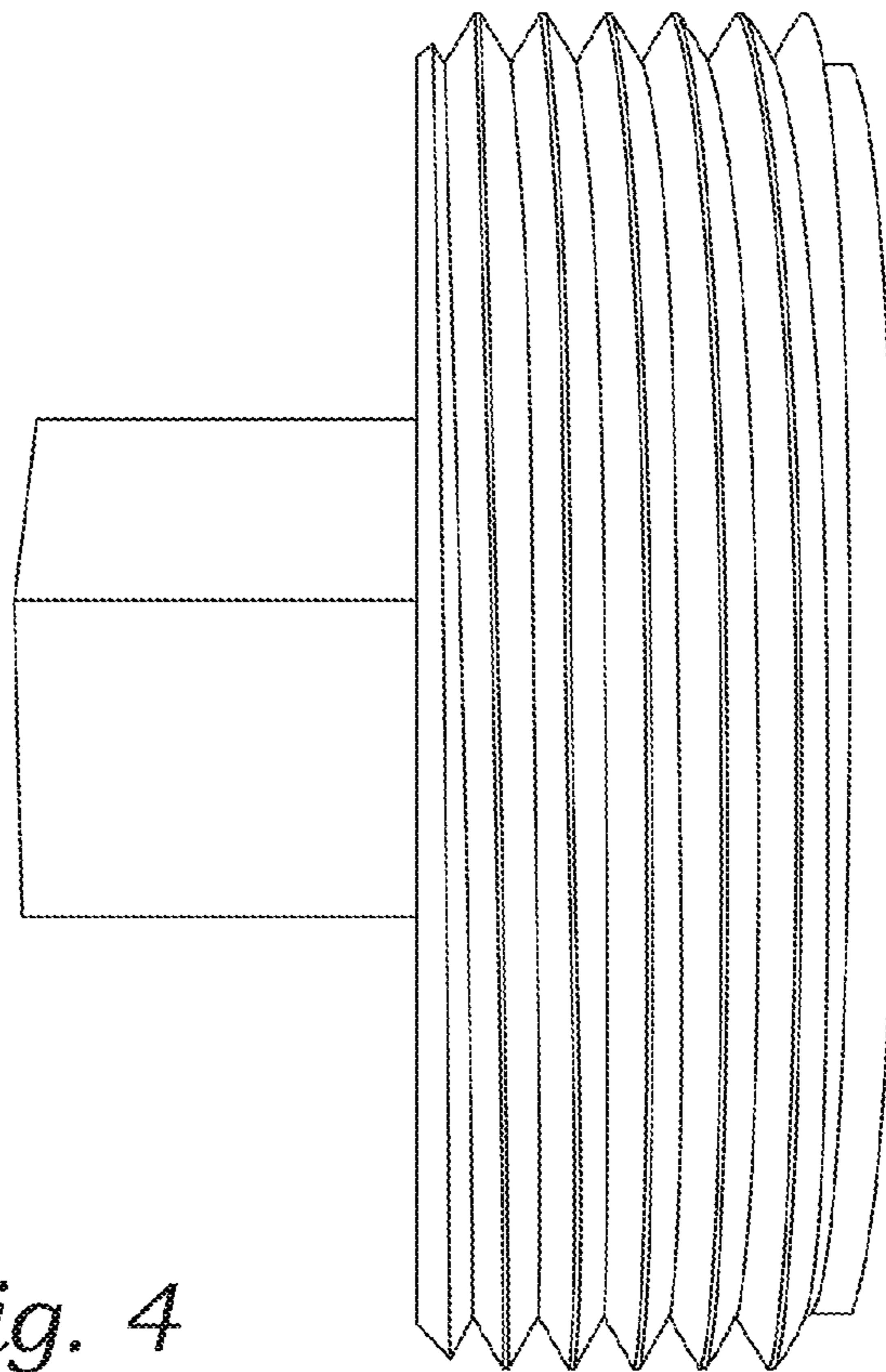
*Fig. 1*



*Fig. 2*



*Fig. 3*



*Fig. 4*