



US00D664630S

(12) **United States Design Patent**  
**Fritz et al.**

(10) **Patent No.:** **US D664,630 S**

(45) **Date of Patent:** **\*\* Jul. 31, 2012**

(54) **TANK LEVER**

D522,102 S \* 5/2006 Fritz ..... D23/252  
D585,525 S \* 1/2009 Ko ..... D23/242  
D627,860 S \* 11/2010 Sedwick ..... D23/252

(75) Inventors: **Seth Fritz**, Carmel, IN (US); **Celine Kwok**, Carmel, IN (US)

\* cited by examiner

(73) Assignee: **Masco Corporation of Indiana**, Indianapolis, IN (US)

*Primary Examiner* — Robert Delehanty

(74) *Attorney, Agent, or Firm* — Edgar A. Zarins; Nirav D. Parikh; Lora J. Graentzdoerffer

(\*\*) Term: **14 Years**

(57) **CLAIM**

(21) Appl. No.: **29/400,520**

The ornamental design for a tank lever, as shown and described.

(22) Filed: **Aug. 30, 2011**

**DESCRIPTION**

(51) **LOC (9) Cl.** ..... **23-02**

(52) **U.S. Cl.** ..... **D23/252**

(58) **Field of Classification Search** ..... D23/238–242,  
D23/250–252; 4/675–678; 137/801  
See application file for complete search history.

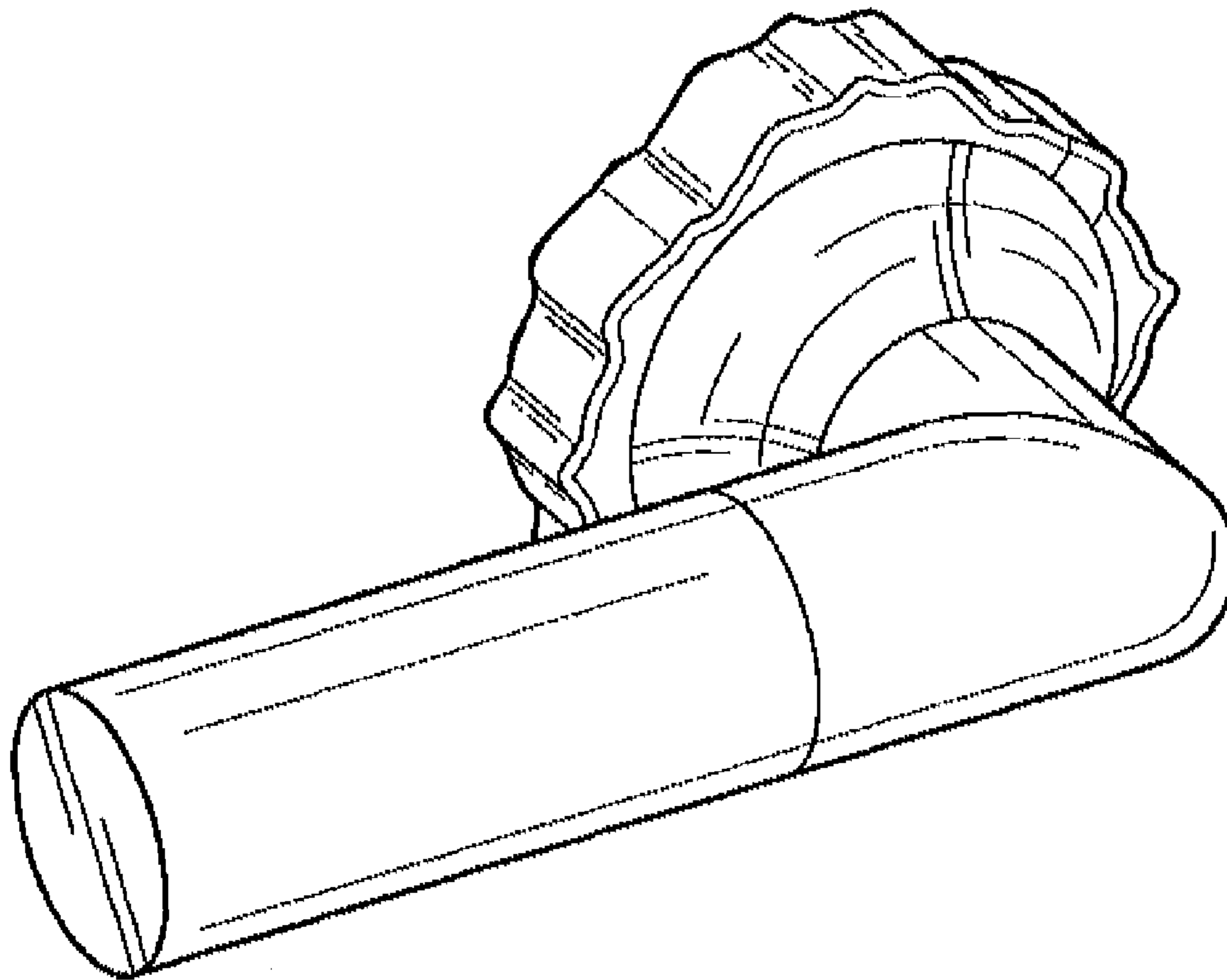
FIG. 1 is a perspective view of a tank lever showing our new design;  
FIG. 2 is a top plan view thereof, the opposite side being a mirror image of the side shown;  
FIG. 3 is a front elevational view thereof;  
FIG. 4 is a first end view thereof; and,  
FIG. 5 is a second view thereof.

(56) **References Cited**

U.S. PATENT DOCUMENTS

D362,615 S \* 9/1995 Shames et al. .... D8/367

**1 Claim, 1 Drawing Sheet**



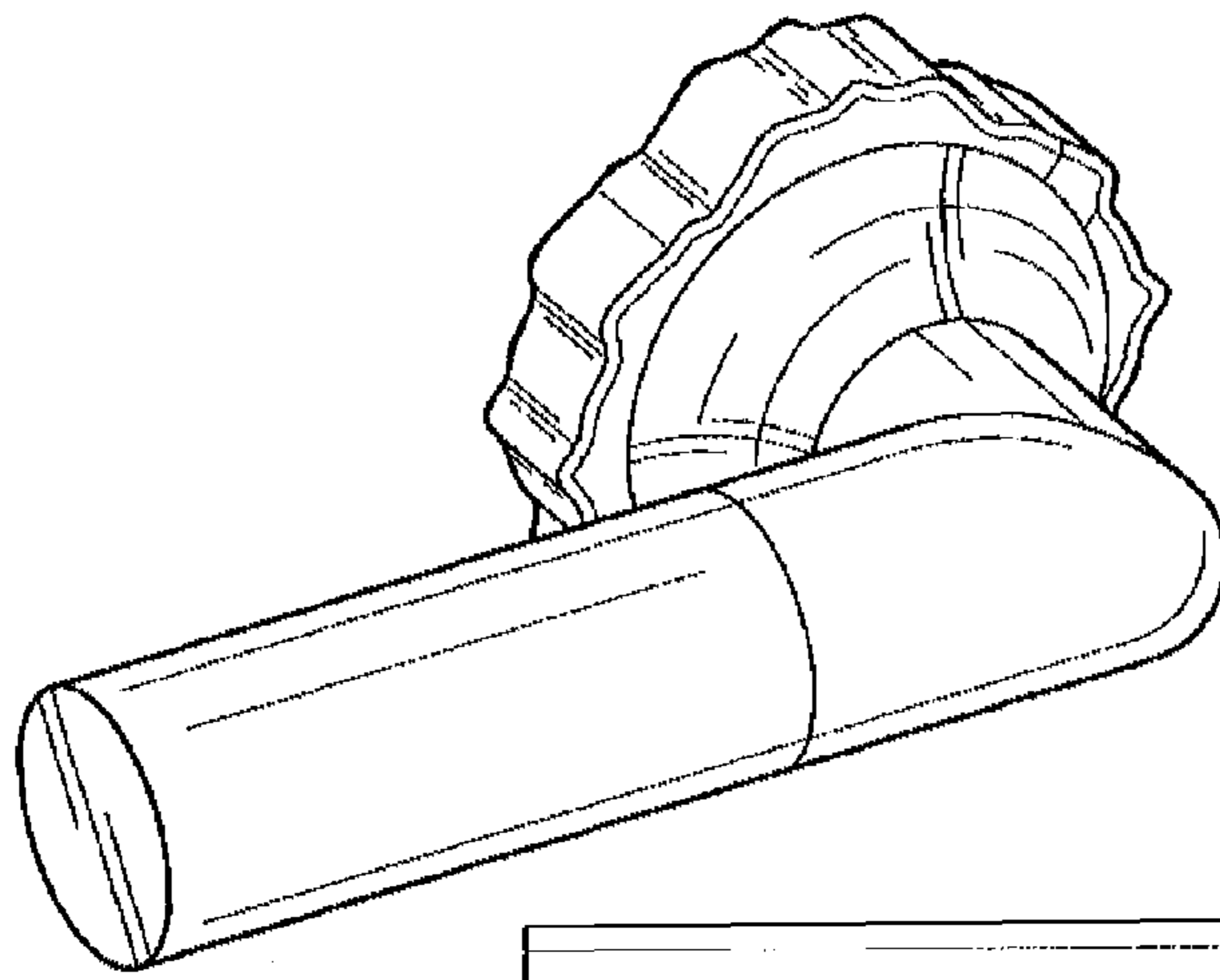


Fig-1

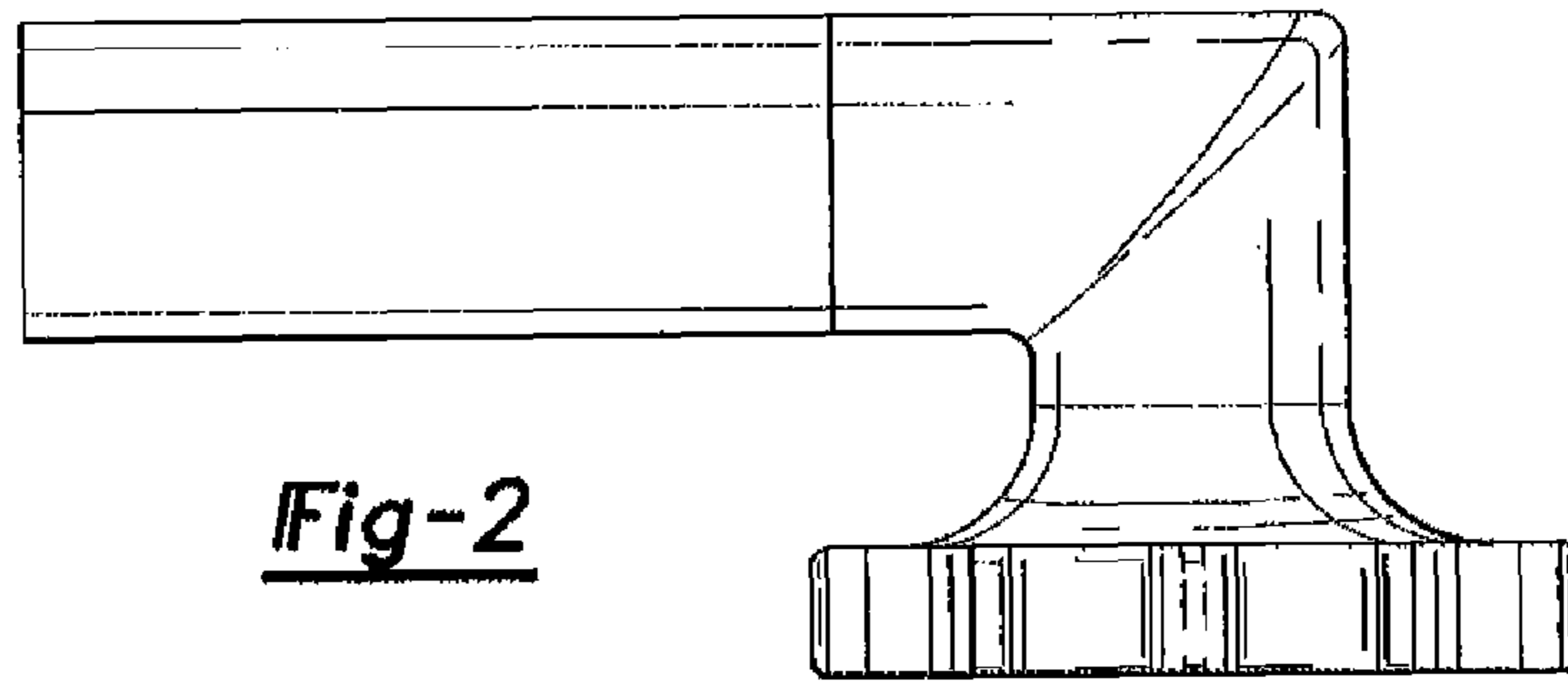


Fig-2

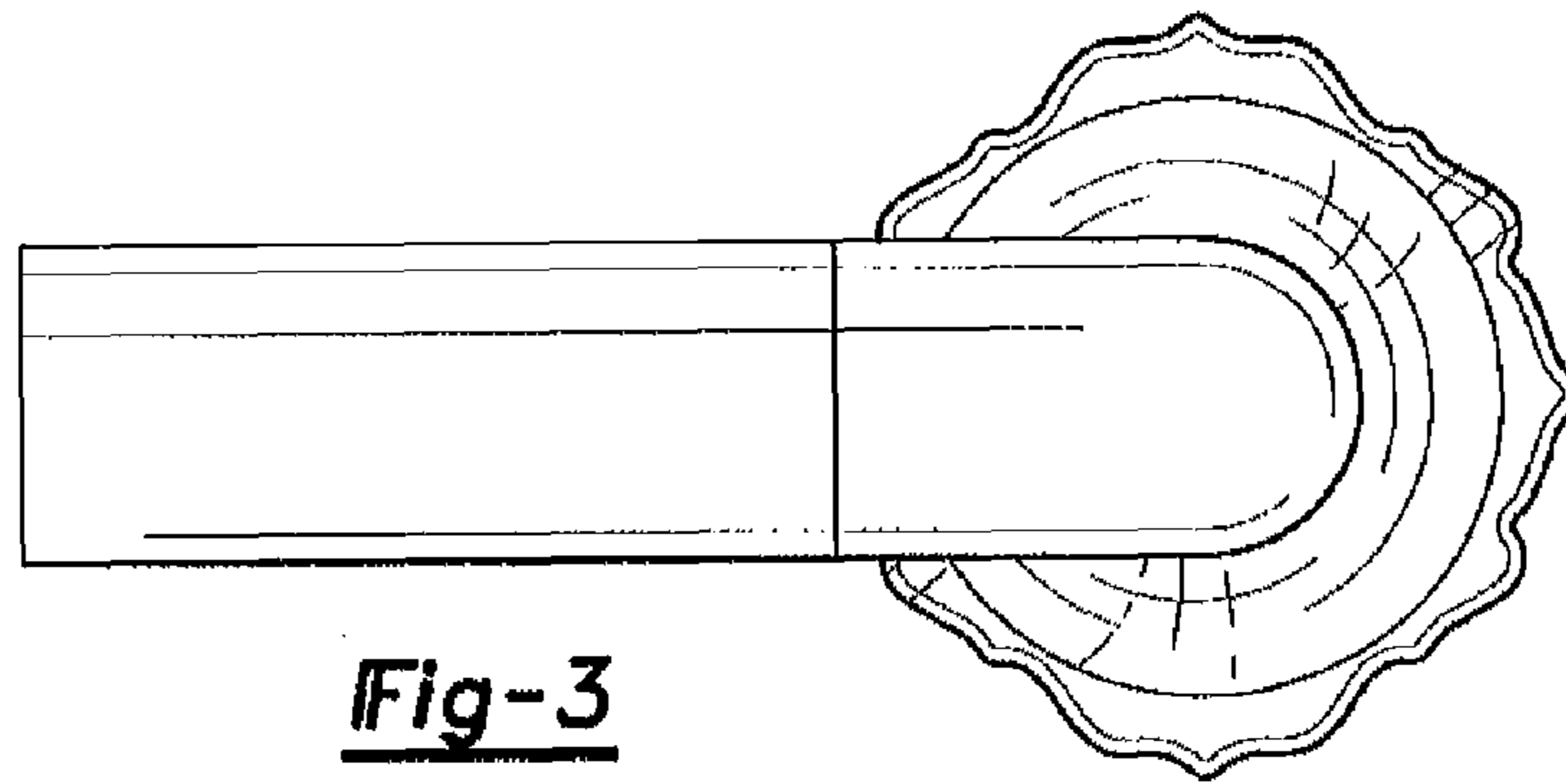


Fig-3

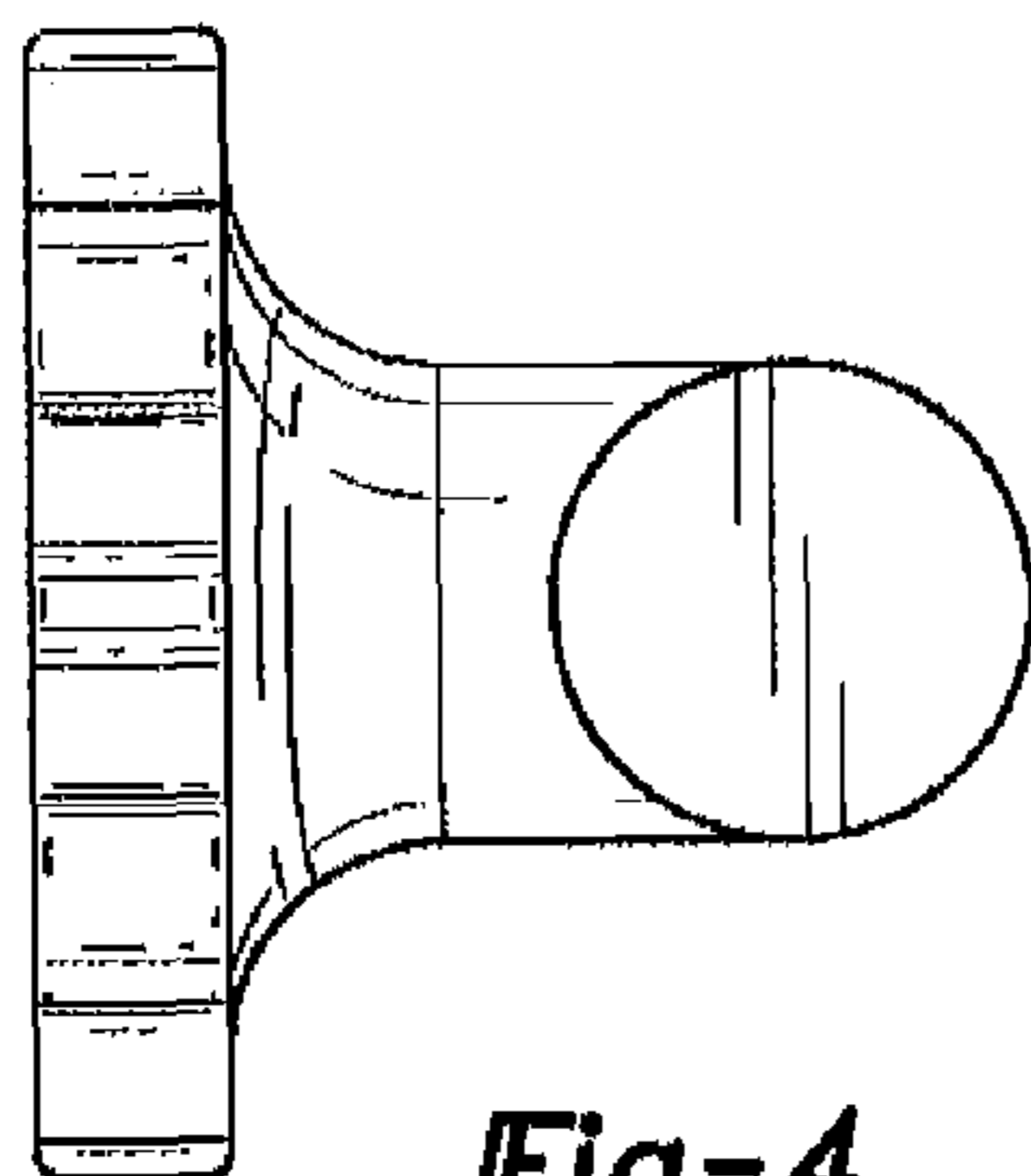


Fig-4

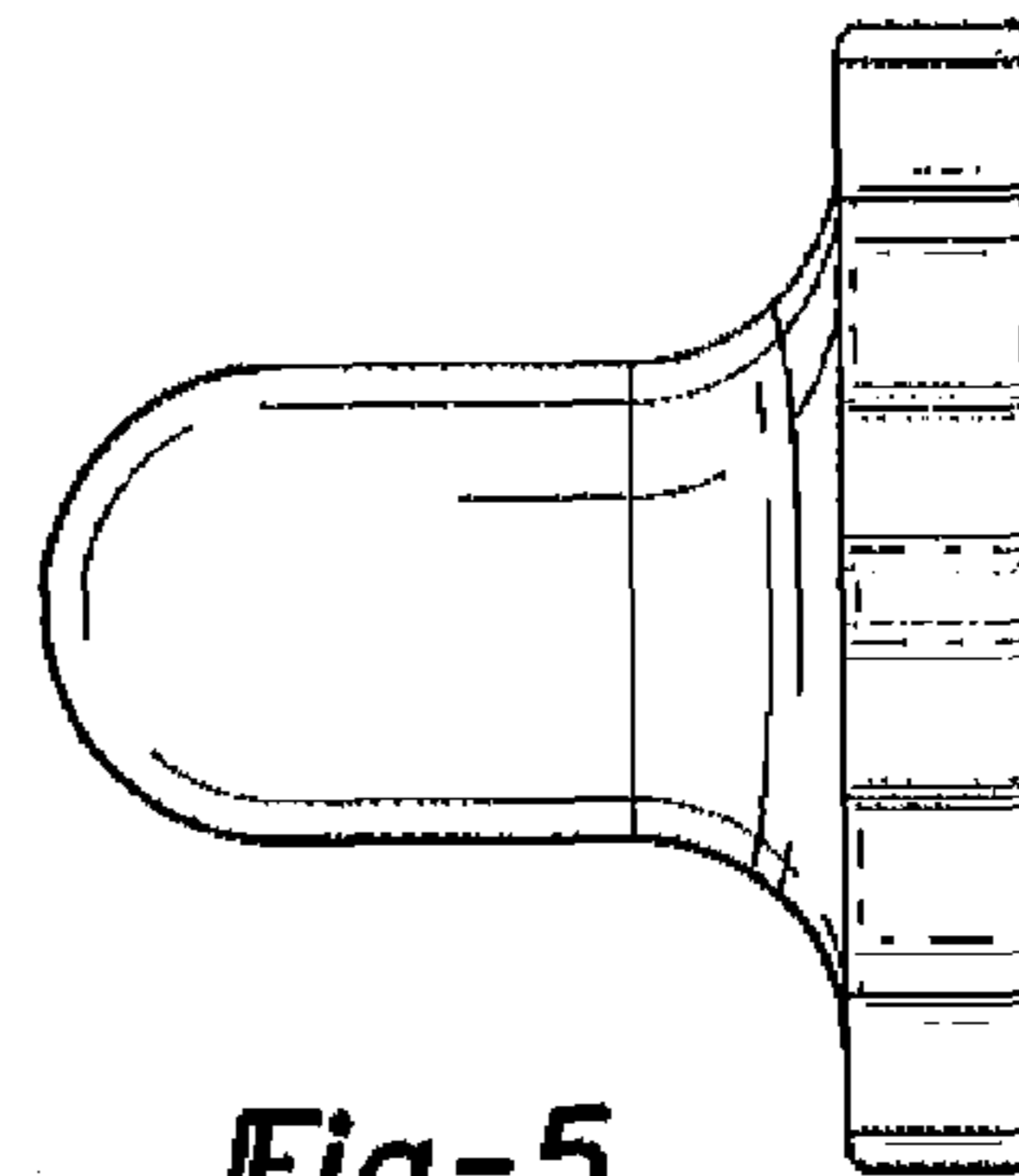


Fig-5