



US00D664628S

(12) **United States Design Patent**
Zhou et al.

(10) **Patent No.:** **US D664,628 S**
(45) **Date of Patent:** **** Jul. 31, 2012**

(54) **SPRAY GUN**

(75) Inventors: **Haowei Zhou**, Fenghua (CN); **Lijun Huang**, Fenghua (CN)

(73) Assignee: **Haowei Zhou**, Ningbo, Zhejiang (CN)

(**) Term: **14 Years**

(21) Appl. No.: **29/398,612**

(22) Filed: **Aug. 2, 2011**

(30) **Foreign Application Priority Data**

Jun. 10, 2011 (CN) 2011 3 0167010

(51) **LOC (9) Cl.** **23-01**

(52) **U.S. Cl.** **D23/225**

(58) **Field of Classification Search** D23/213,
D23/225; 239/302, 308, 310, 332, 333, 337,
239/373, DIG. 14

See application file for complete search history.

(56) **References Cited**

U.S. PATENT DOCUMENTS

D467,991 S * 12/2002 Ibele D23/225
D503,213 S * 3/2005 Stevens et al. D23/225

D503,215 S * 3/2005 Stevens et al. D23/225
D519,603 S * 4/2006 Schumann et al. D23/225
D573,226 S * 7/2008 Everett et al. D23/225
D589,116 S * 3/2009 Bruggeman D23/225
D609,778 S * 2/2010 Woodgate D23/225
D630,708 S * 1/2011 Blenkush et al. D23/225

* cited by examiner

Primary Examiner — Robin V Webster

(74) *Attorney, Agent, or Firm* — Jackson IPG PLLC

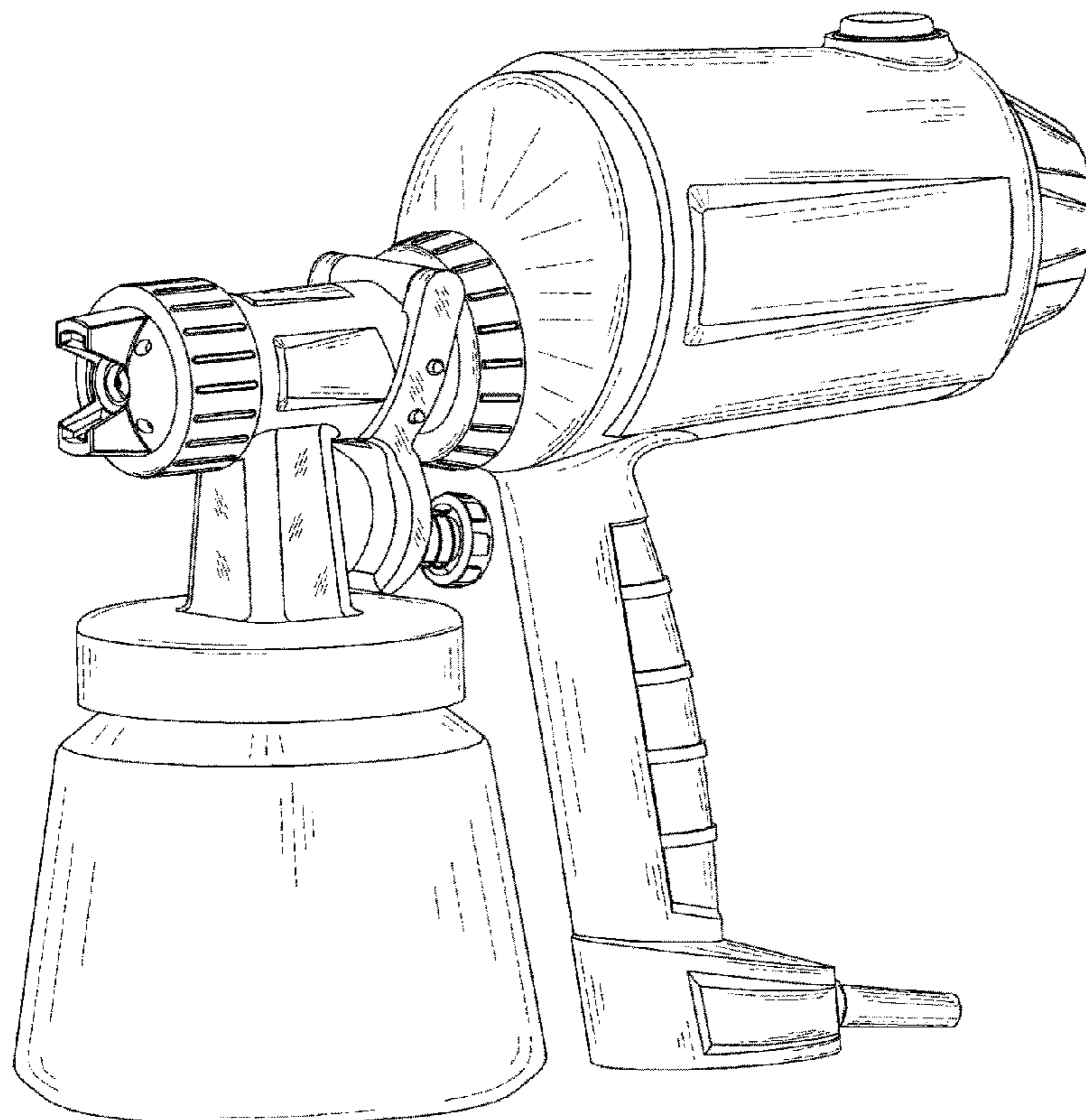
(57) **CLAIM**

The ornamental design for a spray gun, as shown and described.

DESCRIPTION

FIG. 1 is a front perspective view of a spray gun showing our new design;
FIG. 2 is a rear perspective view thereof;
FIG. 3 is a front elevational view thereof;
FIG. 4 is a rear elevational view thereof;
FIG. 5 is a left side elevational view thereof;
FIG. 6 is a right side elevational view thereof;
FIG. 7 is a top plan view thereof; and,
FIG. 8 is a bottom plan view thereof.

1 Claim, 7 Drawing Sheets



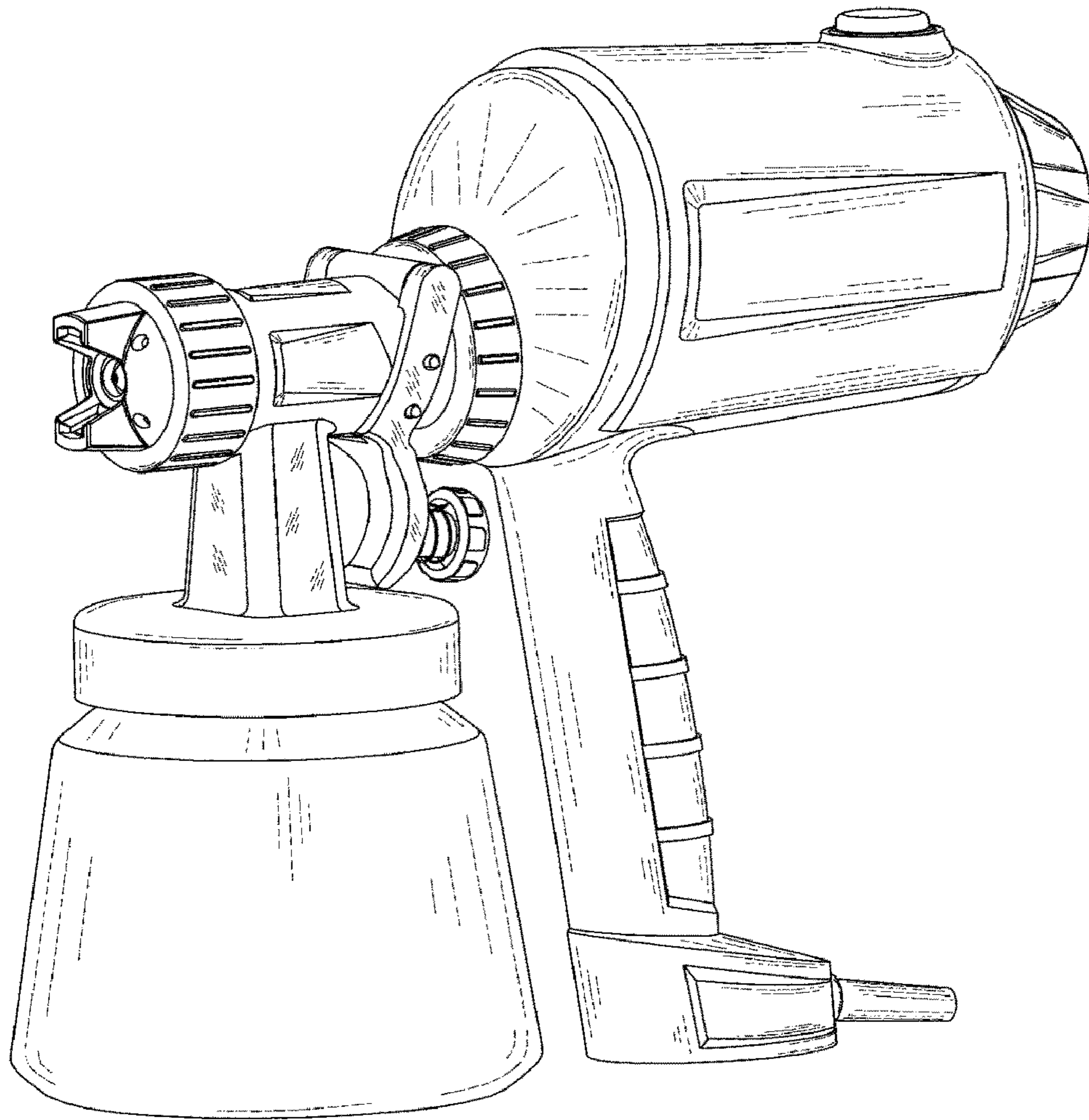


FIG. 1

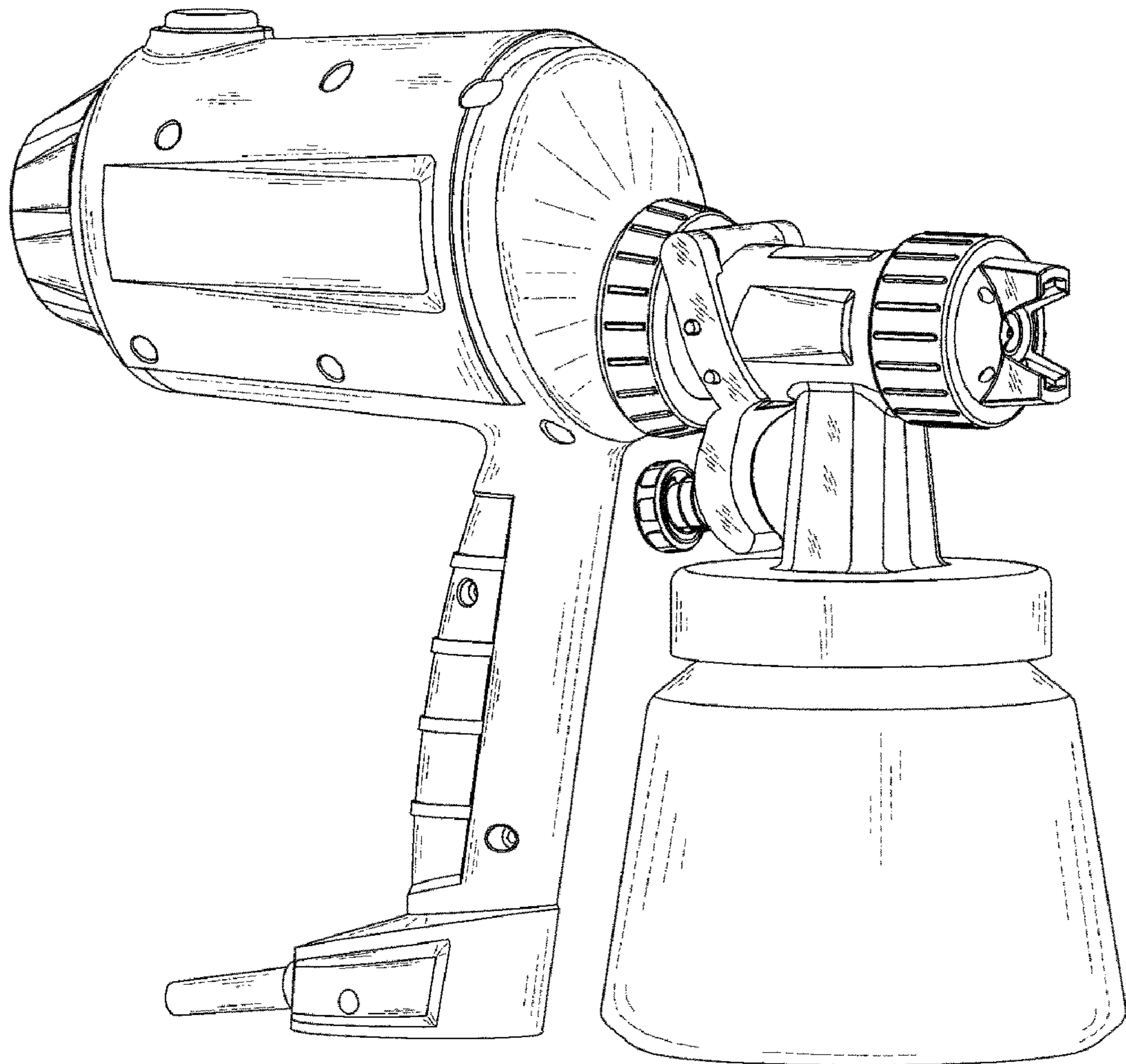


FIG. 2

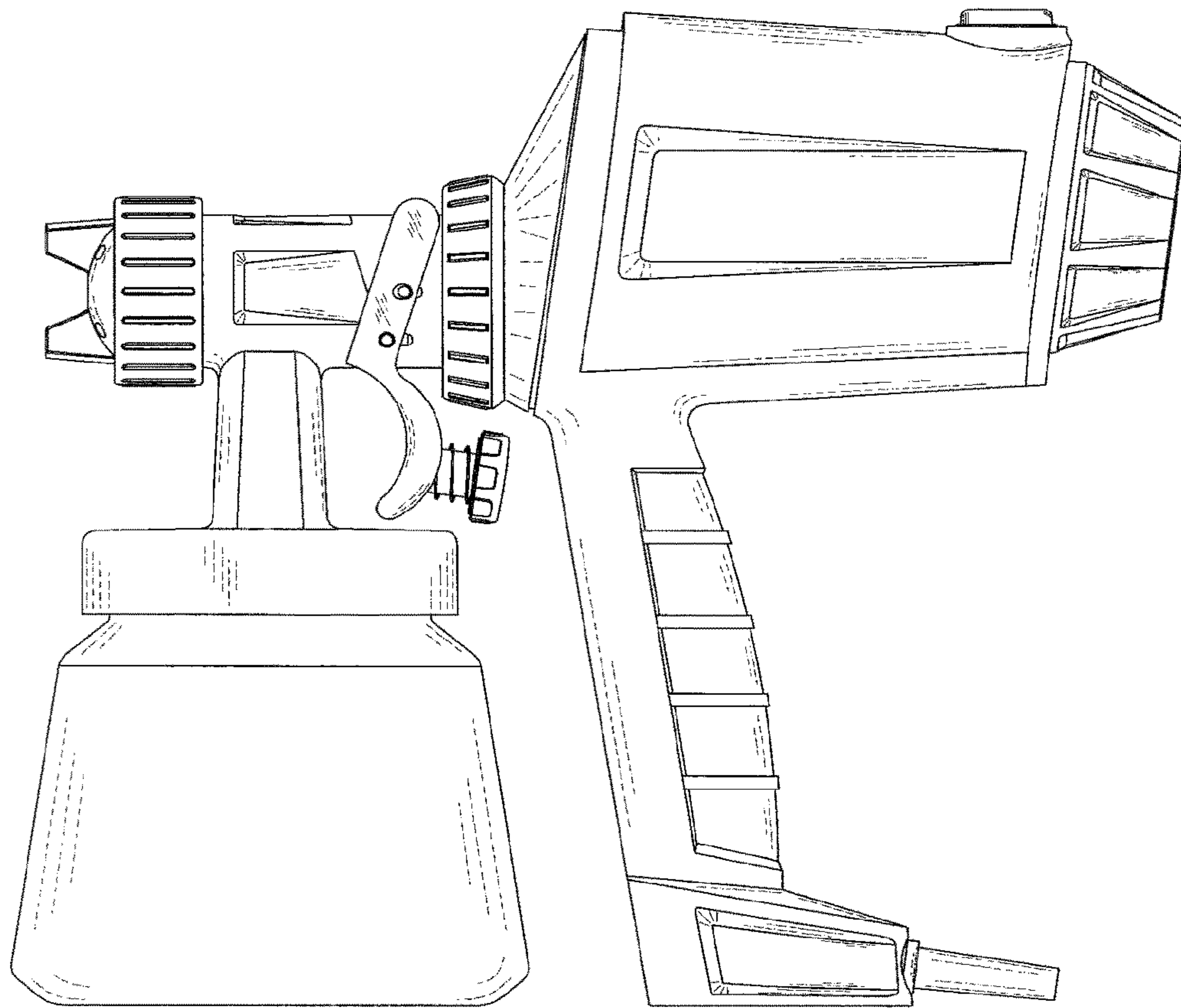


FIG. 3

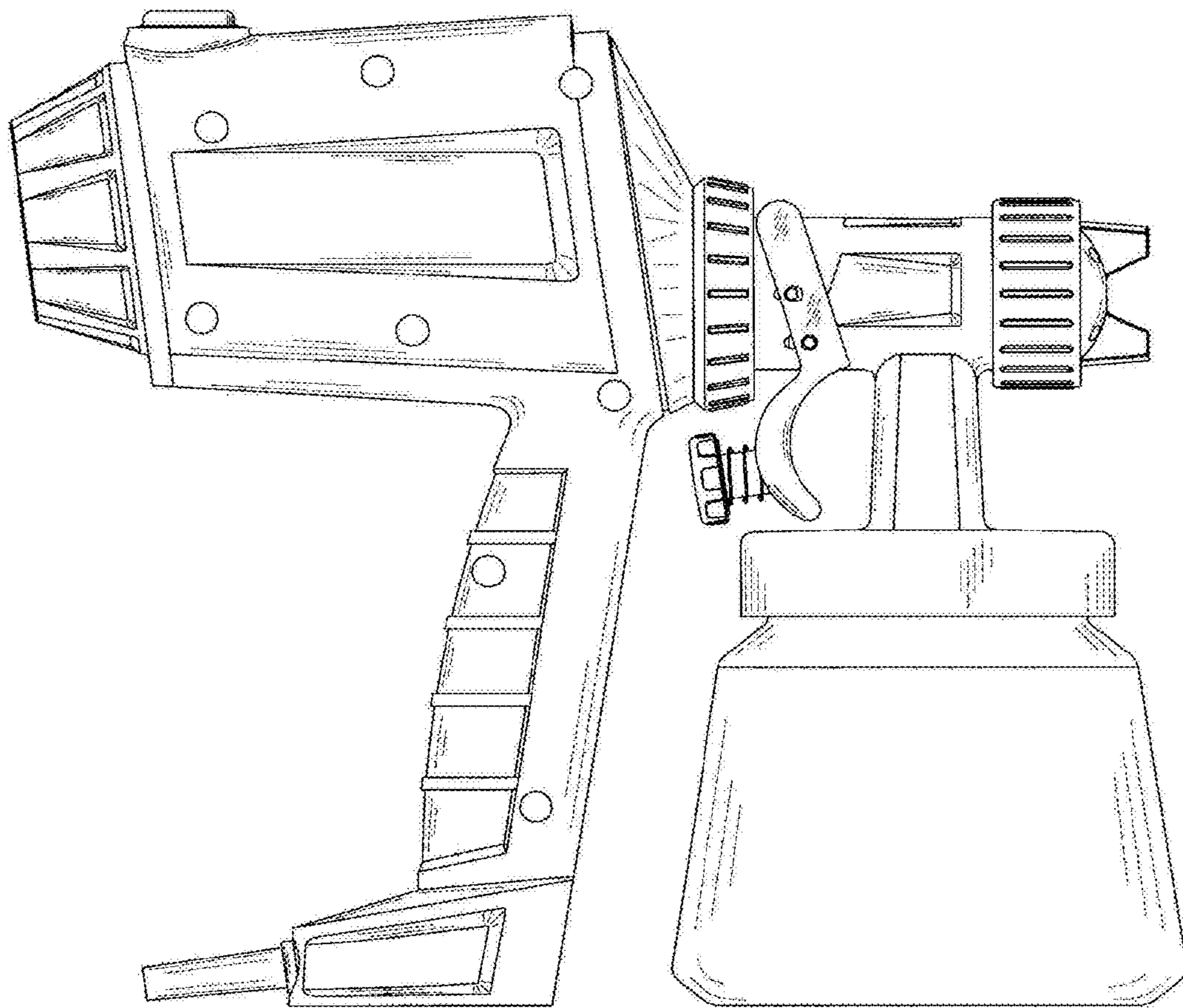


FIG. 4

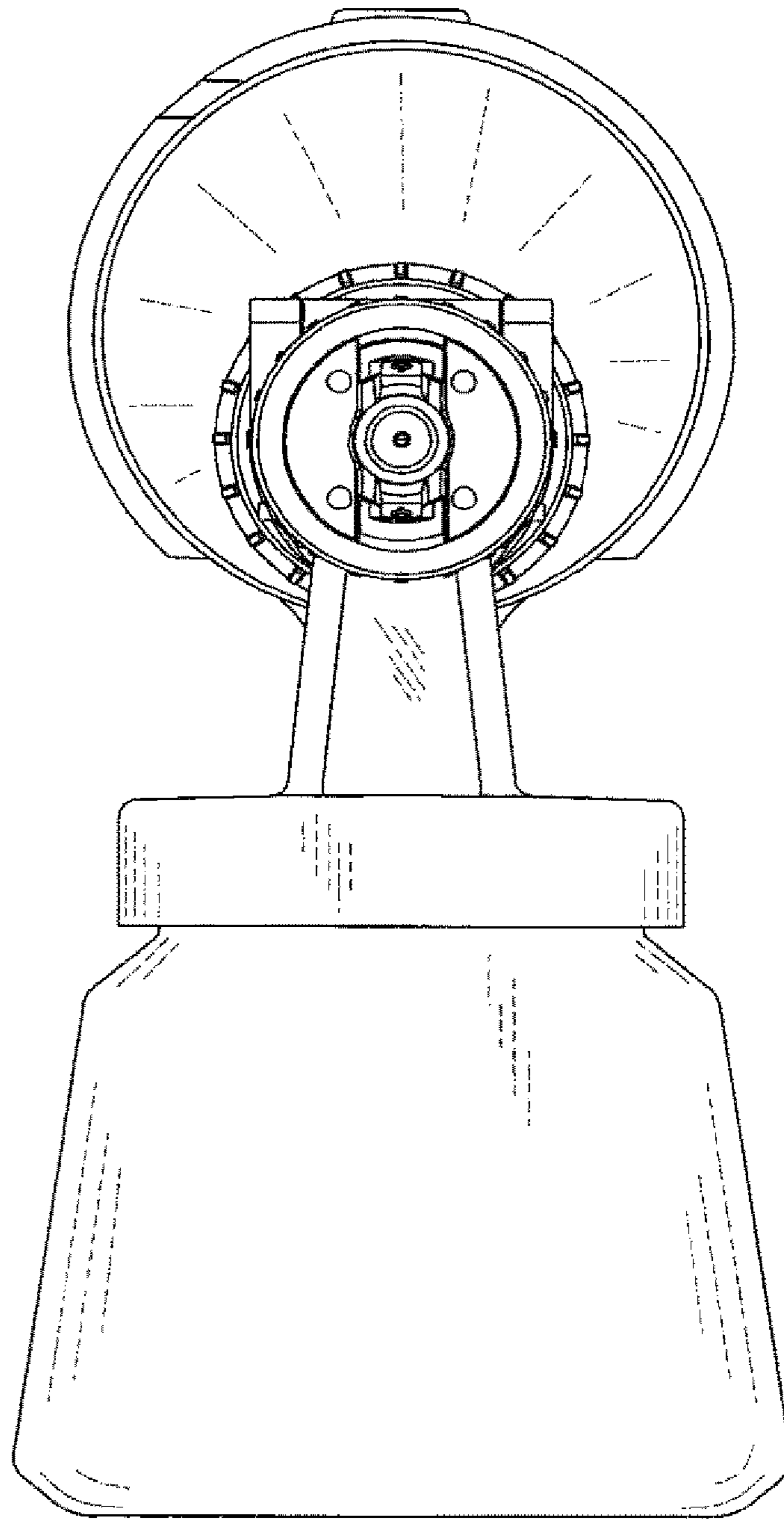


FIG. 5

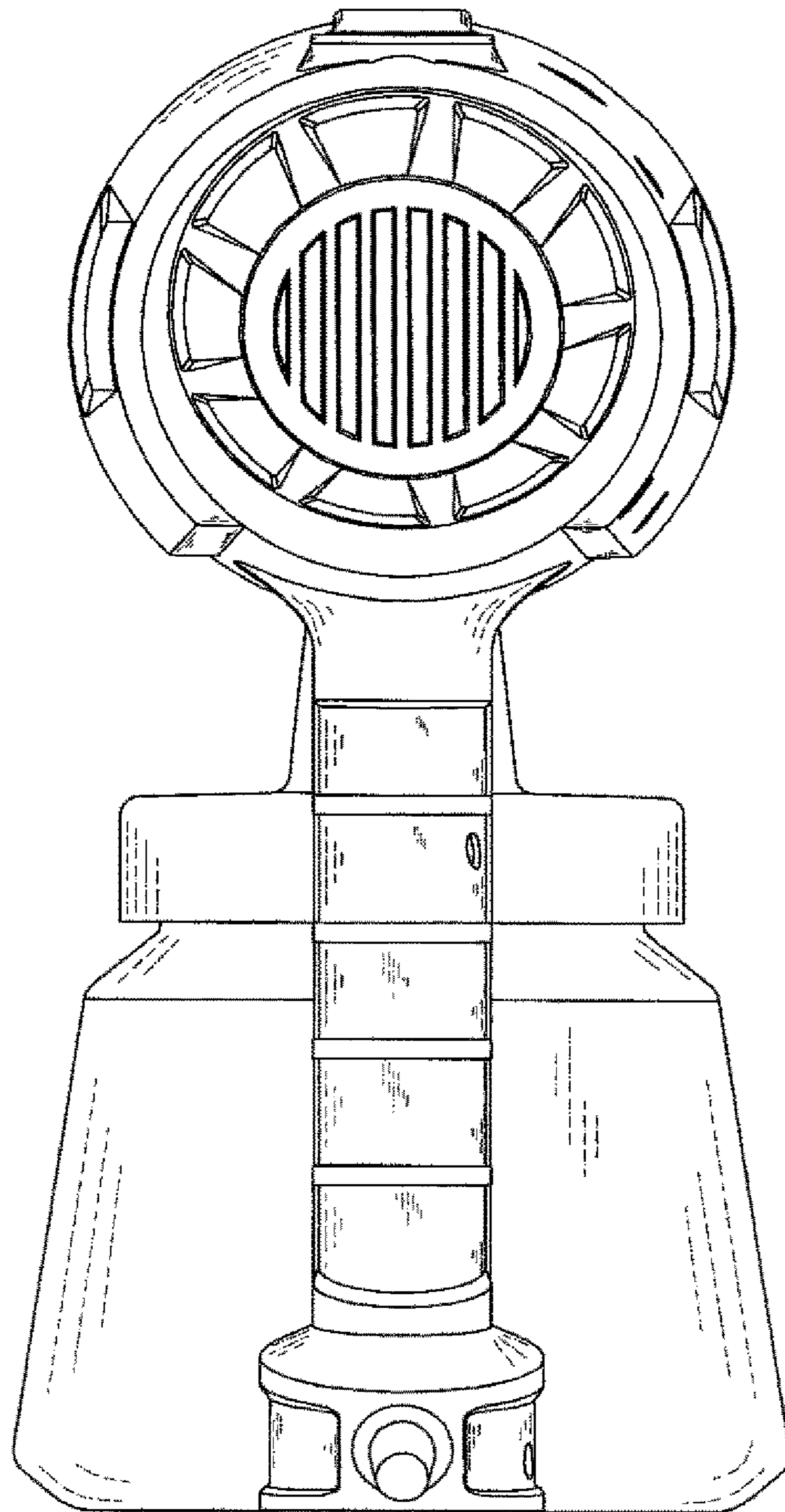


FIG. 6

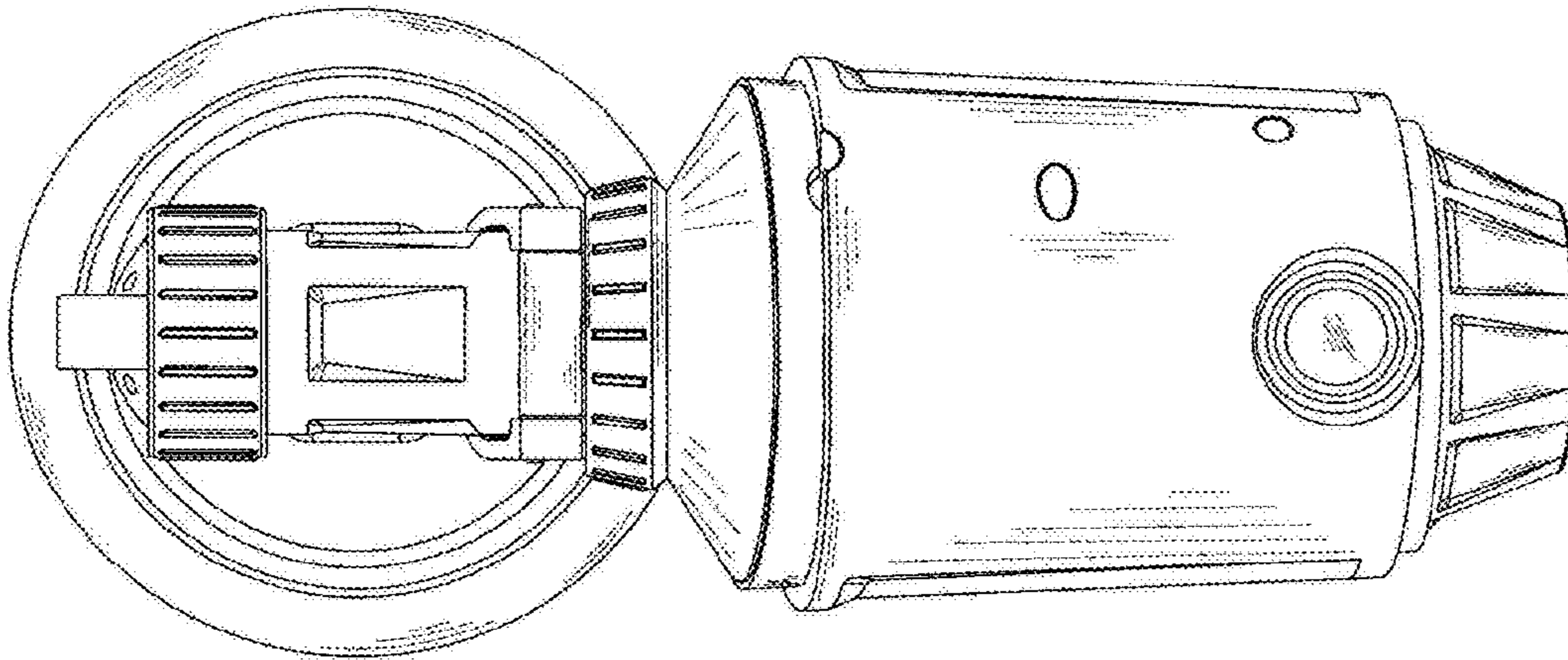


FIG. 7

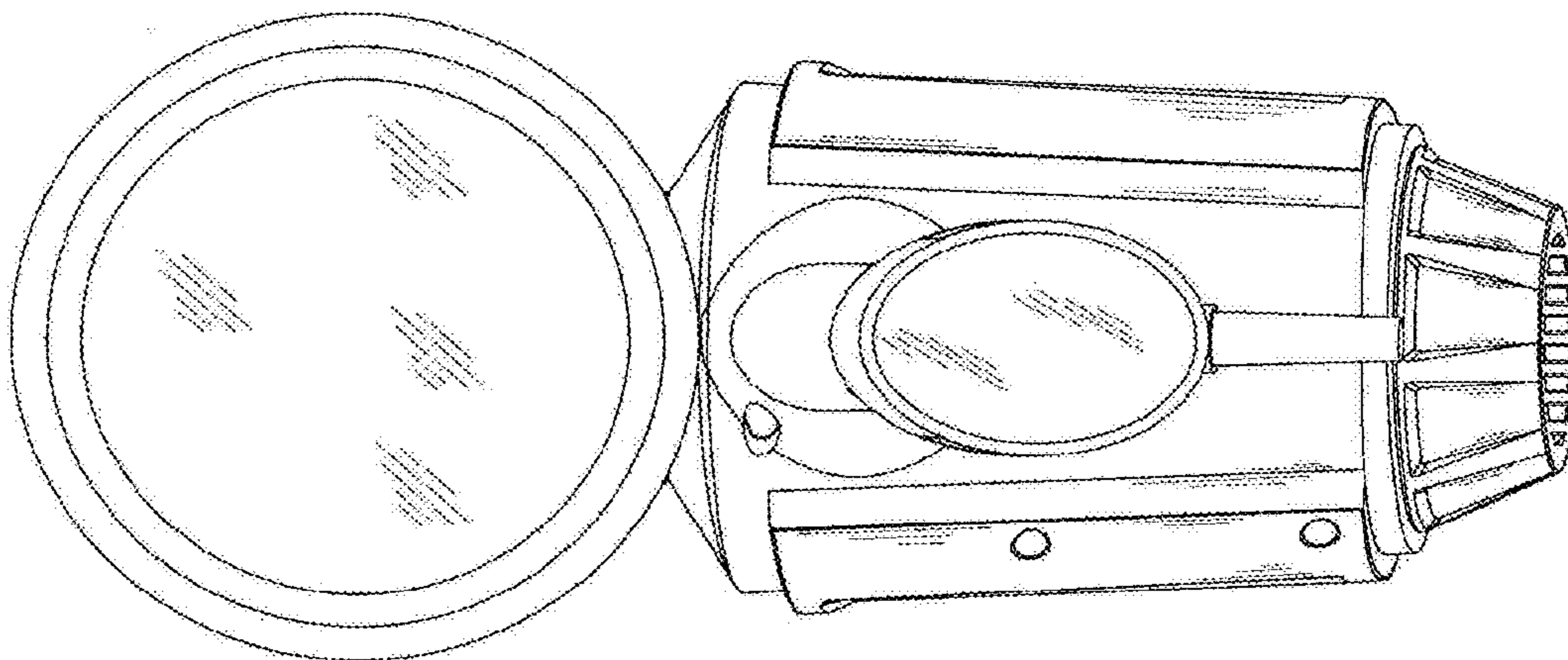


FIG. 8