



US00D664627S

(12) **United States Design Patent**  
**Nathan et al.**

(10) **Patent No.:** **US D664,627 S**  
(45) **Date of Patent:** **\*\* Jul. 31, 2012**

(54) **CHLORINATOR**

(75) Inventors: **Philip Nathan**, Royal Oak, MI (US);  
**Robert H. Bruno**, Avon, CT (US);  
**Matthew Phillips**, Litchfield, CT (US)

(73) Assignee: **Hayward Industries, Inc.**, Elizabeth, NJ (US)

(\*\*) Term: **14 Years**

(21) Appl. No.: **29/398,441**

(22) Filed: **Jul. 29, 2011**

(51) **LOC (9) Cl.** ..... **23-01**

(52) **U.S. Cl.** ..... **D23/208**

(58) **Field of Classification Search** ..... D23/208;  
210/198.1, 167.03, 85; 4/226.1; 137/268;  
422/278; 204/228.3

See application file for complete search history.

(56) **References Cited**

U.S. PATENT DOCUMENTS

3,482,269	A *	12/1969	Rodak et al.	.....	4/226.1
D288,348	S *	2/1987	Maddock	.....	D23/207
D291,347	S *	8/1987	Weaver et al.	.....	D23/207
5,053,206	A *	10/1991	Maglio et al.	.....	422/264
D326,309	S *	5/1992	Kendrick	.....	D23/208
D331,274	S *	11/1992	Kashani	.....	D23/207
D422,676	S *	4/2000	Conover et al.	.....	D23/208
6,287,466	B1 *	9/2001	Yassin	.....	210/198.1

6,372,126	B1 *	4/2002	Reeves	.....	210/91
6,391,167	B1 *	5/2002	Grannersberger	.....	204/228.3
D475,117	S *	5/2003	Sacs	.....	D23/207
D516,667	S *	3/2006	Hin et al.	.....	D23/208
D612,905	S *	3/2010	Genord et al.	.....	D23/208
7,695,613	B2 *	4/2010	Doyle et al.	.....	210/85
D649,622	S *	11/2011	Palmer	.....	D23/208
8,075,769	B1 *	12/2011	Gleason et al.	.....	210/206

\* cited by examiner

*Primary Examiner* — Robin V Webster

(74) *Attorney, Agent, or Firm* — McCarter & English, LLP

(57) **CLAIM**

The ornamental design for a chlorinator, as shown and described.

**DESCRIPTION**

FIG. 1 is a perspective view of a chlorinator showing a first aspect of our new design;

FIG. 2 is a front view thereof;

FIG. 3 is a rear view thereof;

FIG. 4 is a left side view thereof;

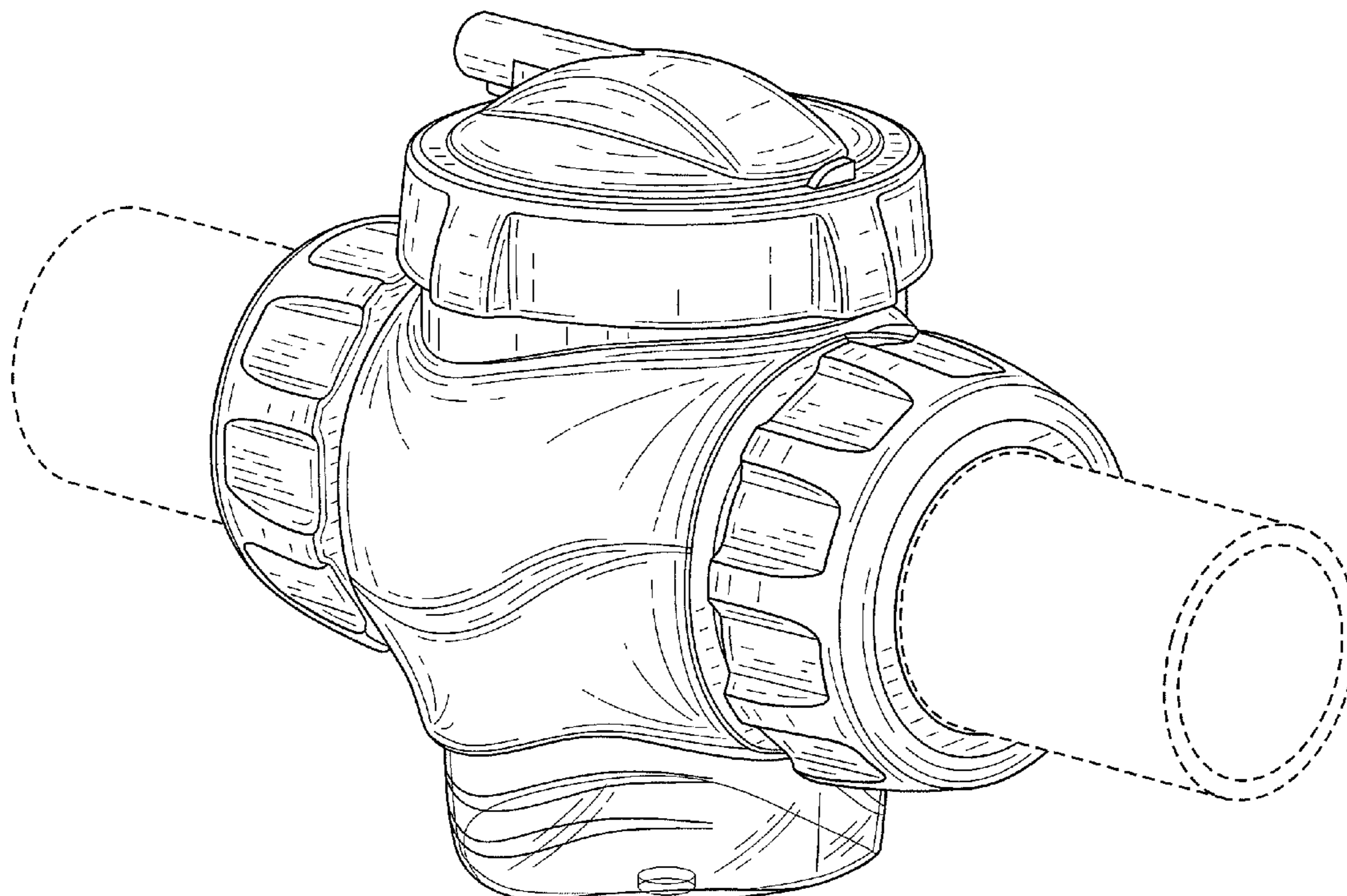
FIG. 5 is a right side view thereof;

FIG. 6 is a top view thereof; and,

FIG. 7 is a bottom view thereof.

The broken lines shown are for illustrative purposes only and form no part of the claimed design.

**1 Claim, 6 Drawing Sheets**



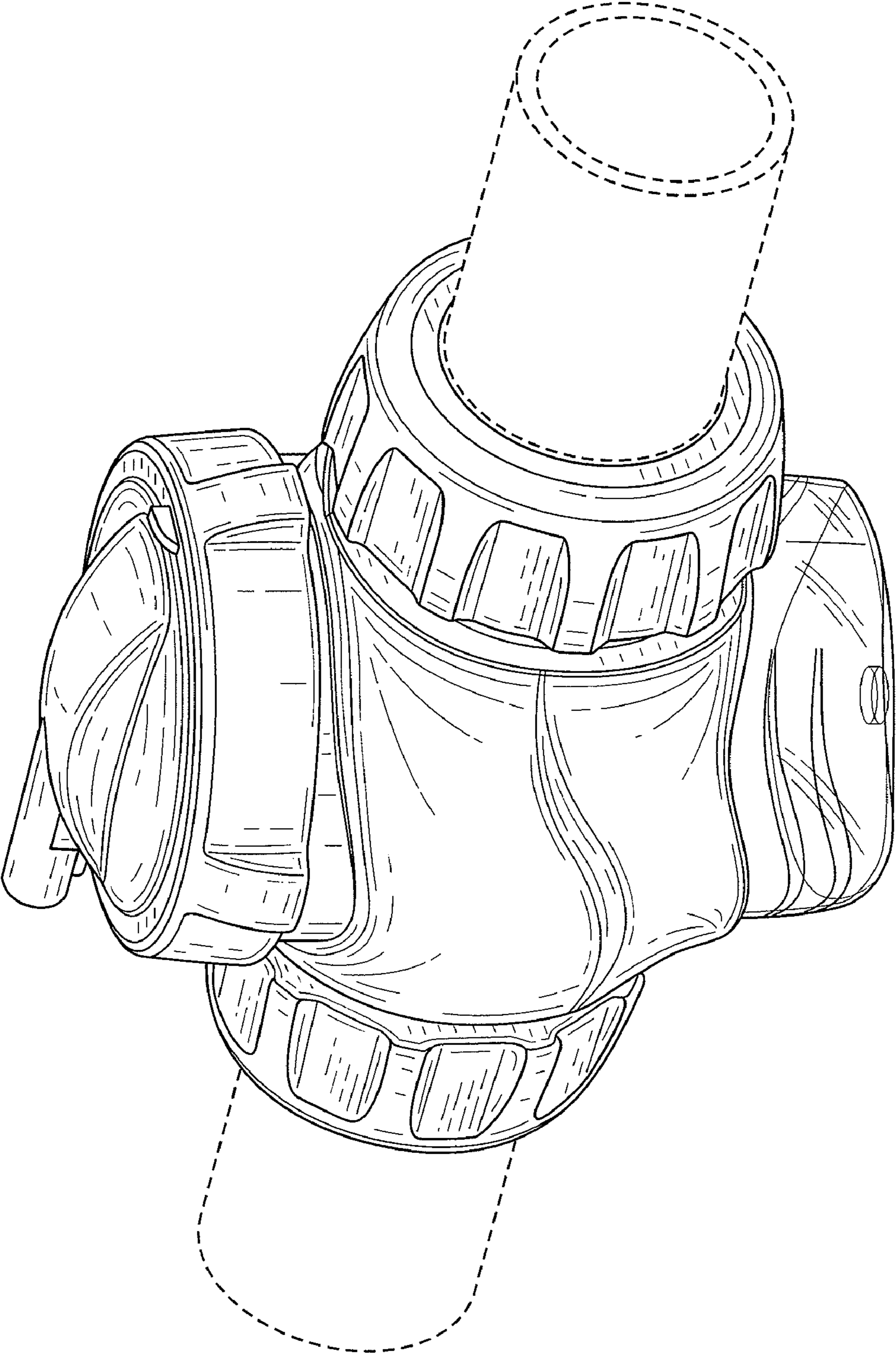


FIG. 1

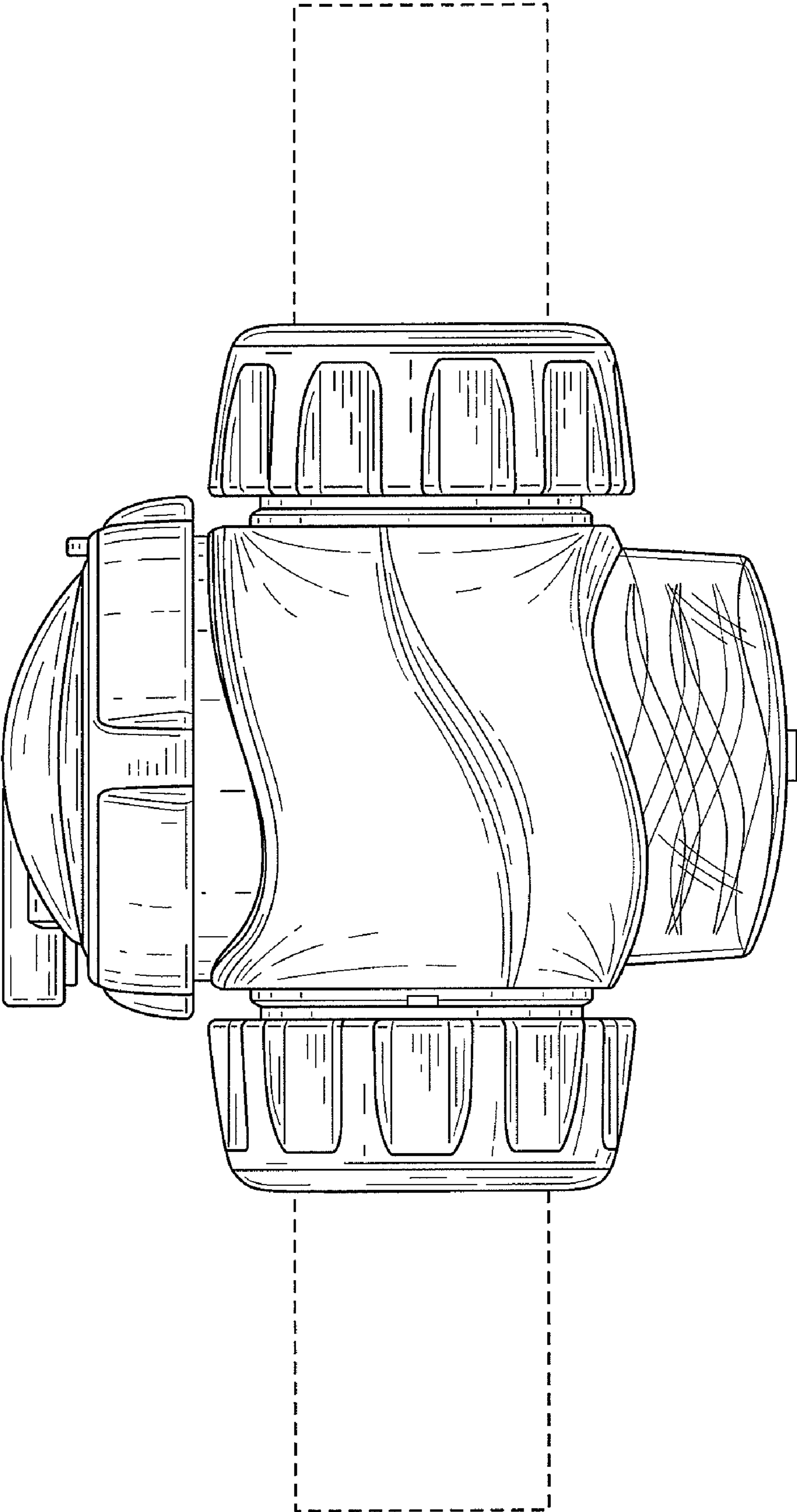


FIG. 2

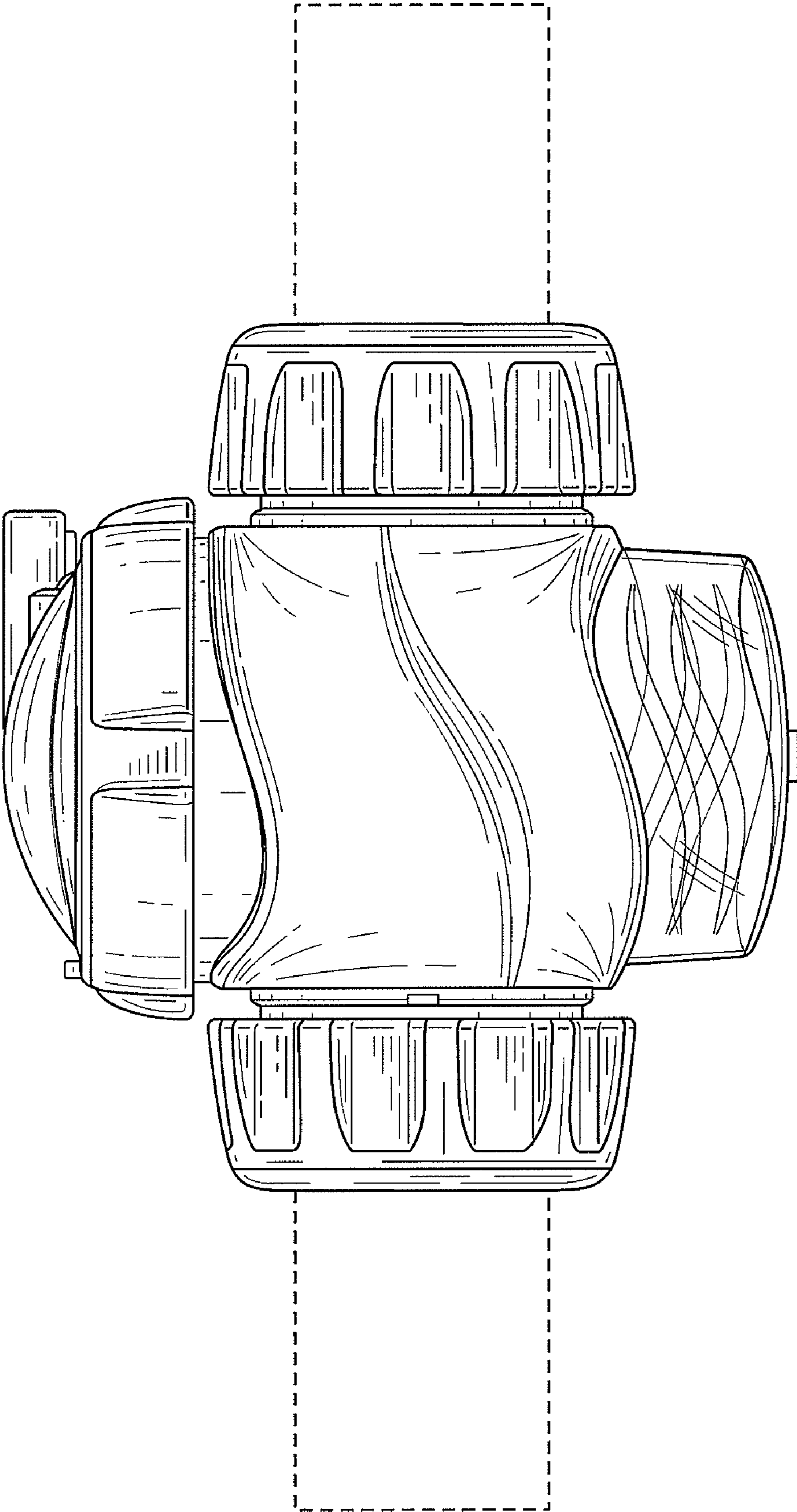


FIG. 3

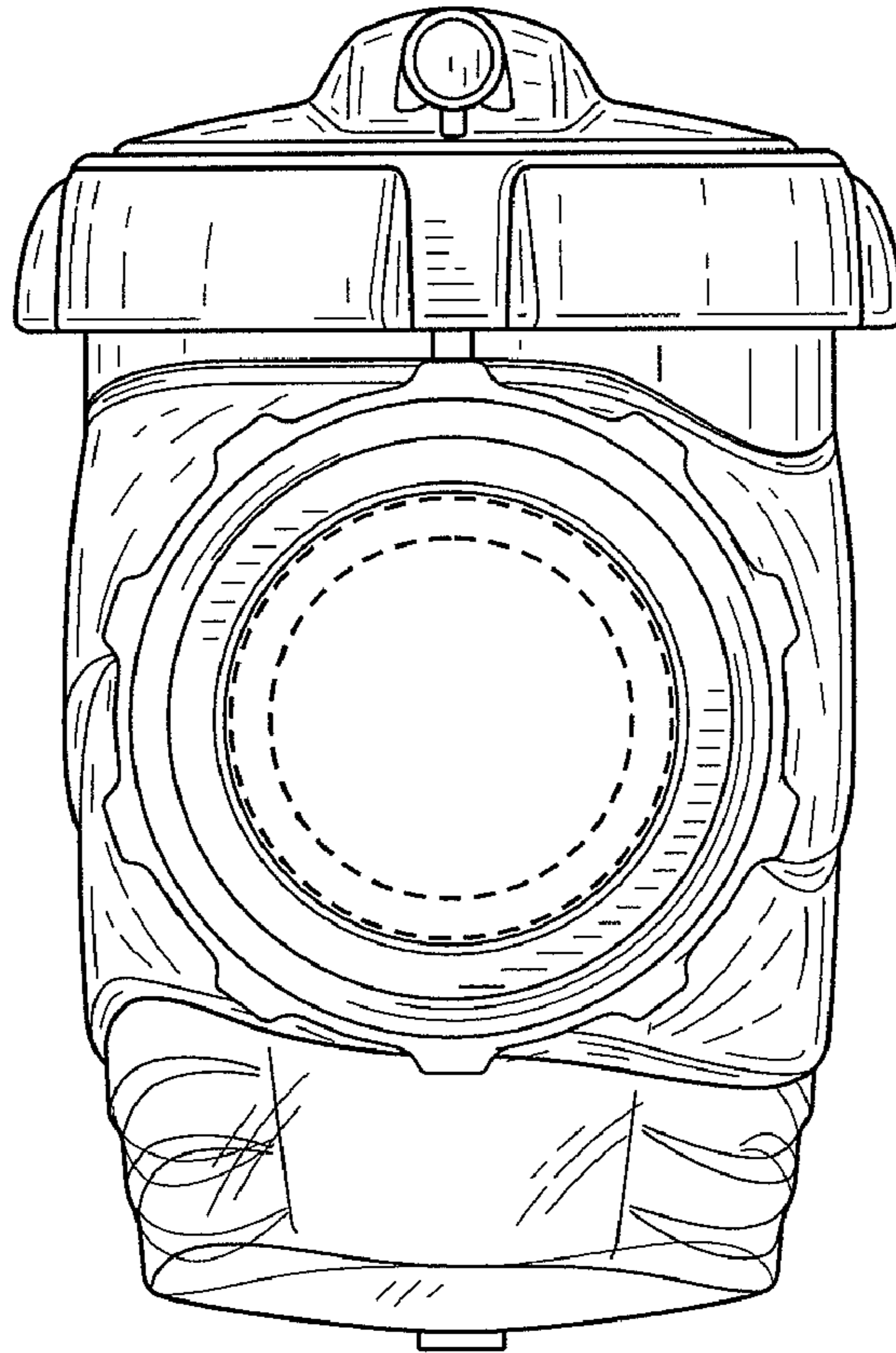


FIG. 4

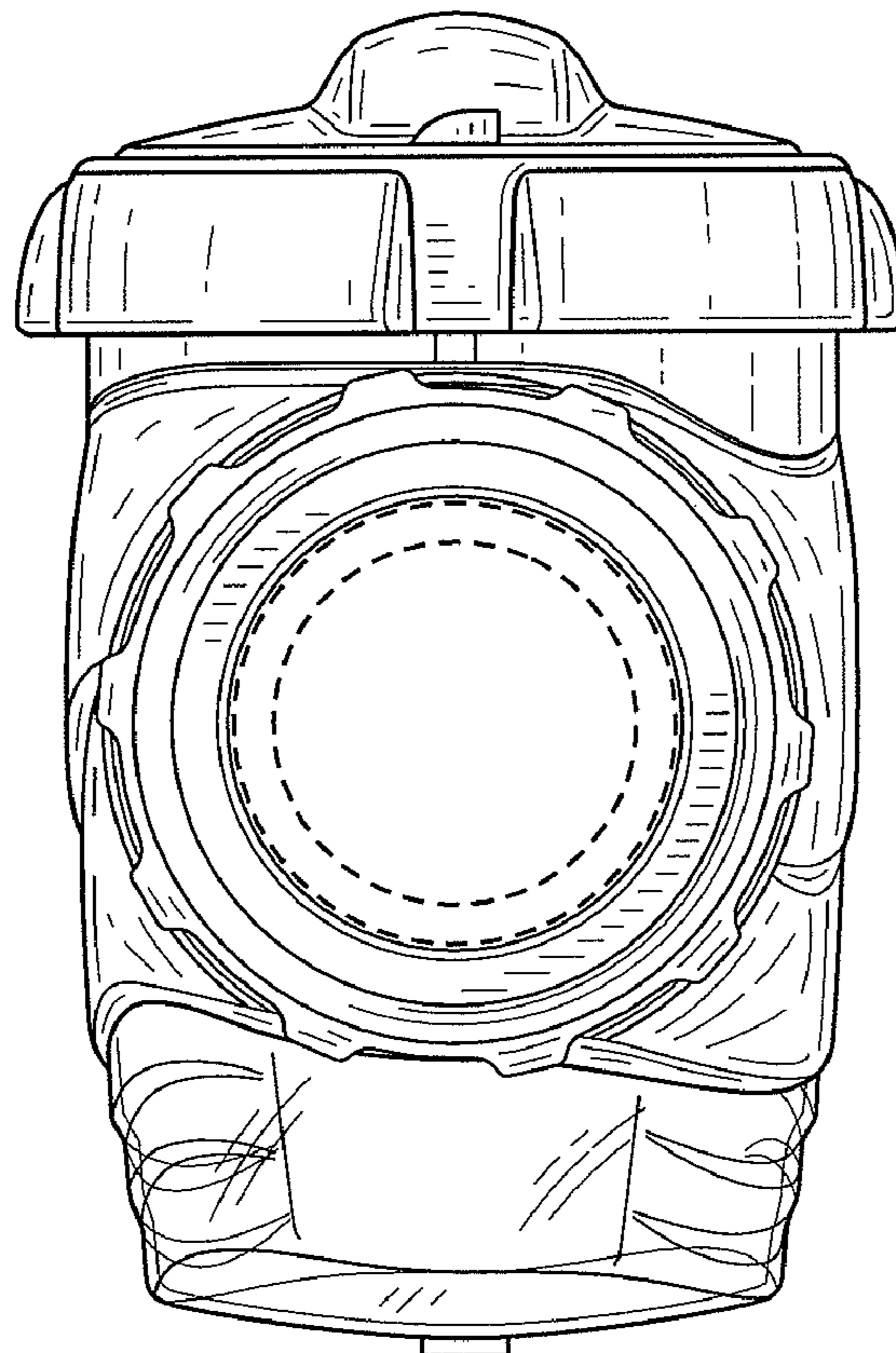


FIG. 5

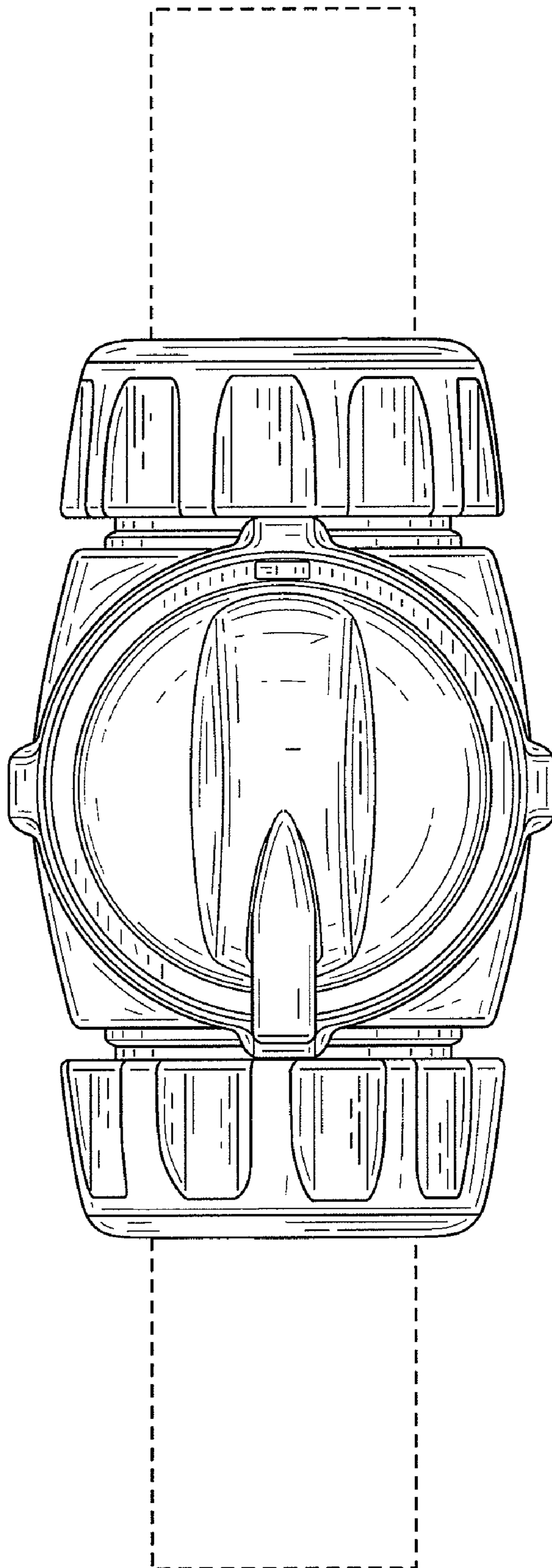


FIG. 6

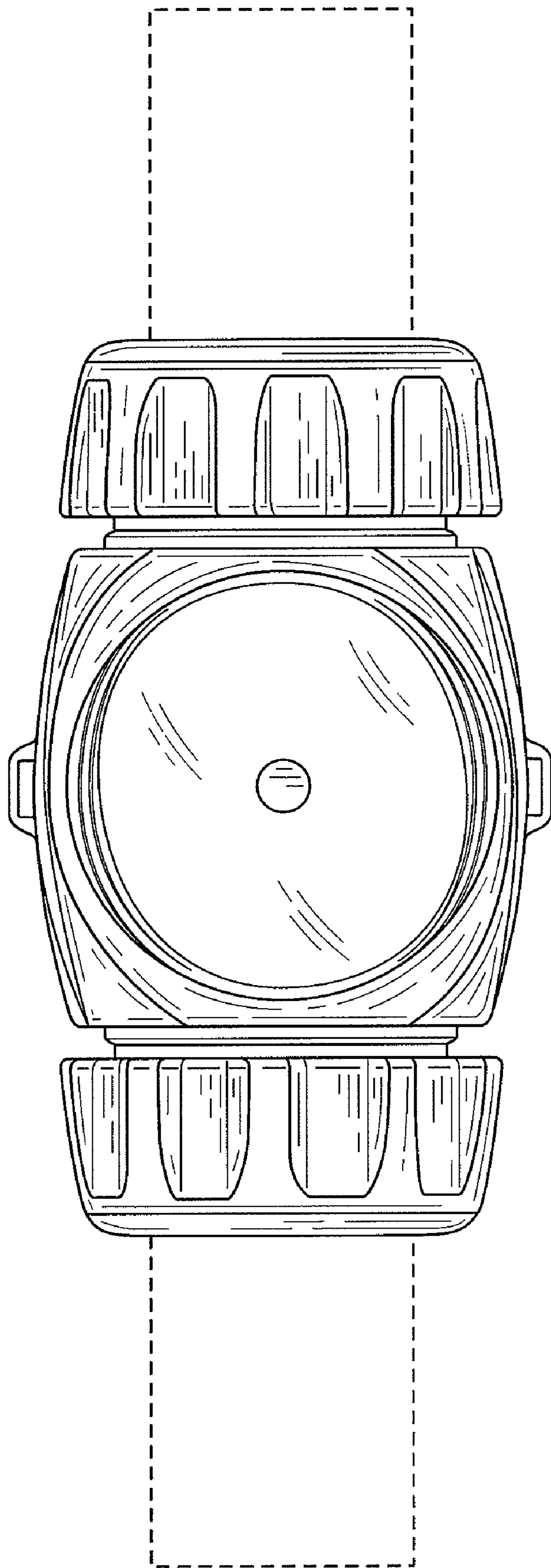


FIG. 7