

US00D664625S

(12) **United States Design Patent**
Minica

(10) **Patent No.:** **US D664,625 S**

(45) **Date of Patent:** **** Jul. 31, 2012**

(54) **ARROW NOCK**

(75) Inventor: **Stuart Minica**, La Vernia, TX (US)

(73) Assignee: **DoubleTake Archery LLC**, La Vernia, TX (US)

(**) Term: **14 Years**

(21) Appl. No.: **29/383,143**

(22) Filed: **Jan. 12, 2011**

(51) **LOC (9) Cl.** **22-01**

(52) **U.S. Cl.** **D22/107**

(58) **Field of Classification Search** D22/107,
D22/115-116, 199; 124/16-29, 86-92; D8/384,
D8/385, 393

See application file for complete search history.

(56) **References Cited**

U.S. PATENT DOCUMENTS

2,484,589	A *	10/1949	Richards	473/578
2,887,319	A *	5/1959	Lay	473/586
4,003,576	A *	1/1977	Carella	473/586
4,305,588	A *	12/1981	Dodge	473/578
D301,272	S *	5/1989	Barrow et al.	D22/115
4,856,792	A	8/1989	Hardison		
5,154,432	A *	10/1992	Saunders	473/578
5,306,020	A *	4/1994	Bolf	473/578
6,123,631	A	9/2000	Ginder		
6,364,499	B1	4/2002	Jones		
6,390,642	B1	5/2002	Simonton		
6,695,727	B1 *	2/2004	Kuhn	473/586
6,736,742	B2 *	5/2004	Price et al.	473/570
7,021,784	B2	4/2006	DiCarlo		

7,189,170	B1 *	3/2007	Korsa et al.	473/578
7,211,011	B1	5/2007	Sutherland		
7,374,504	B2 *	5/2008	Palomaki et al.	473/578
2002/0039939	A1 *	4/2002	Hartman	473/578
2003/0166425	A1 *	9/2003	Sutherland et al.	473/581

* cited by examiner

Primary Examiner — Michael A Pratt

(74) *Attorney, Agent, or Firm* — Covington & Burling LLP

(57) **CLAIM**

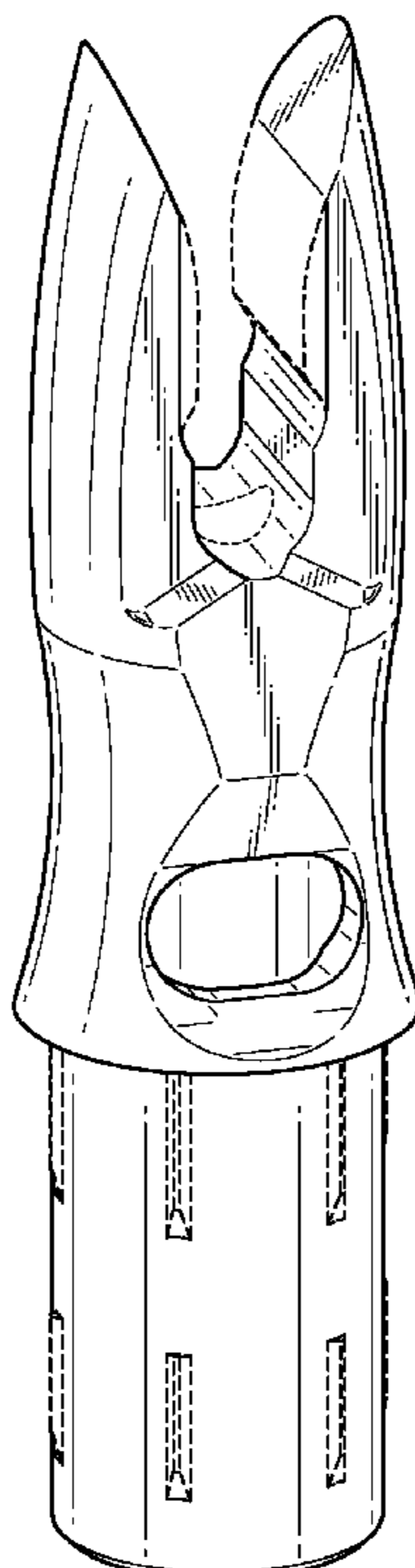
The ornamental design for an arrow nock, as shown and described.

DESCRIPTION

FIG. 1 is a top perspective view of one embodiment of an arrow nock according to the present invention;
 FIG. 2 is a front elevational view thereof;
 FIG. 3 is a side elevational view thereof, the opposite side of which is an identical mirror image;
 FIG. 4 is a back elevational view thereof;
 FIG. 5 is a cross sectional view thereof taken on line 5-5 of FIG. 2;
 FIG. 6 is a top view thereof;
 FIG. 7 is a bottom view thereof;
 FIG. 8 is a top perspective view of one embodiment of an arrow nock according to the present invention;
 FIG. 9 is a front elevational view thereof;
 FIG. 10 is a cross sectional view thereof taken on line 10-10 of FIG. 9; and,
 FIG. 11 is a top view thereof.

The broken lines showing portions of the arrow nock in the drawings are for illustrative purposes only and form no part of the claimed design.

1 Claim, 5 Drawing Sheets



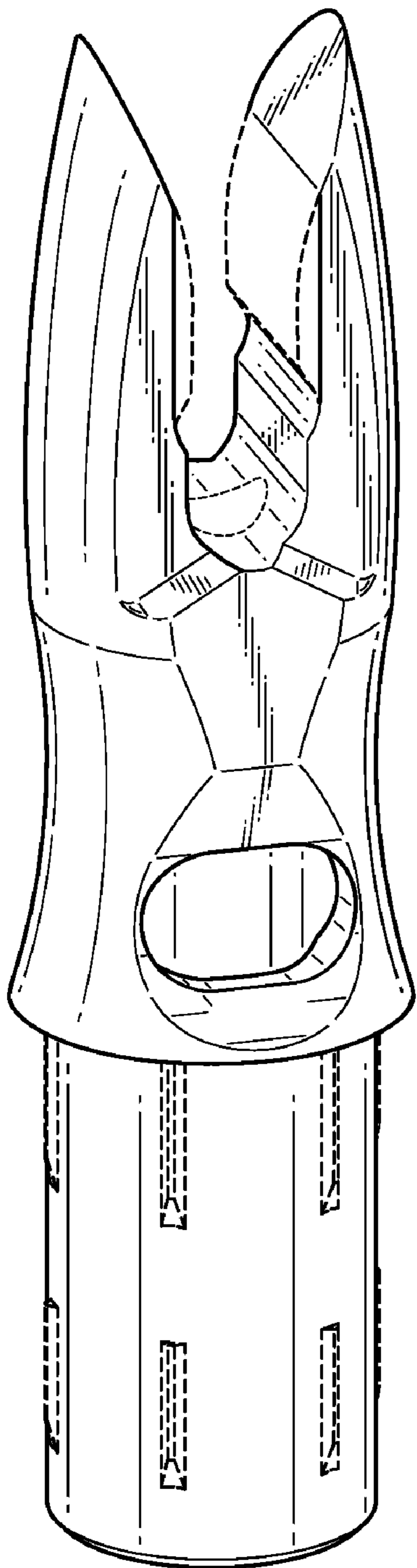


FIG. 1

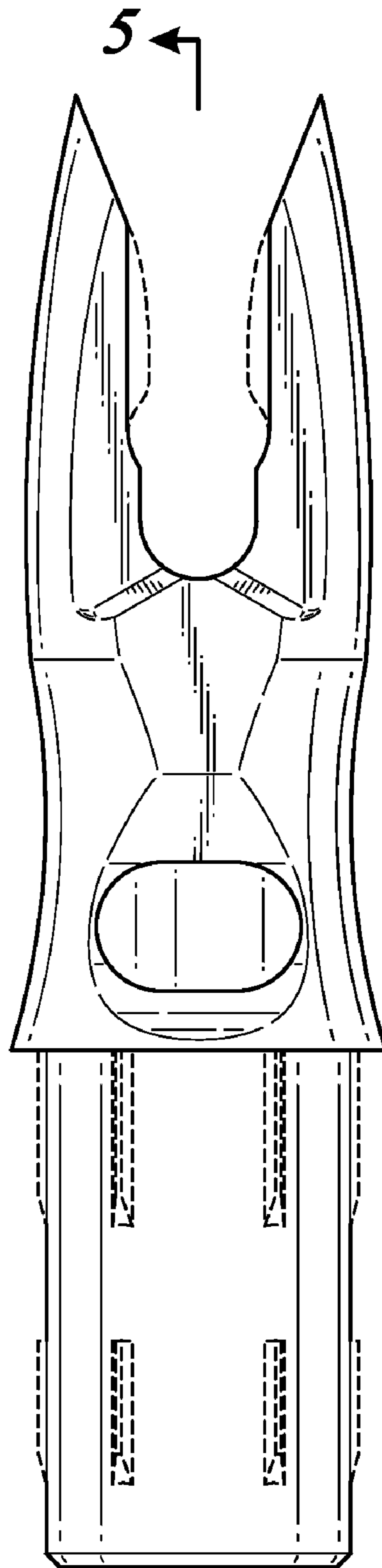


FIG. 2

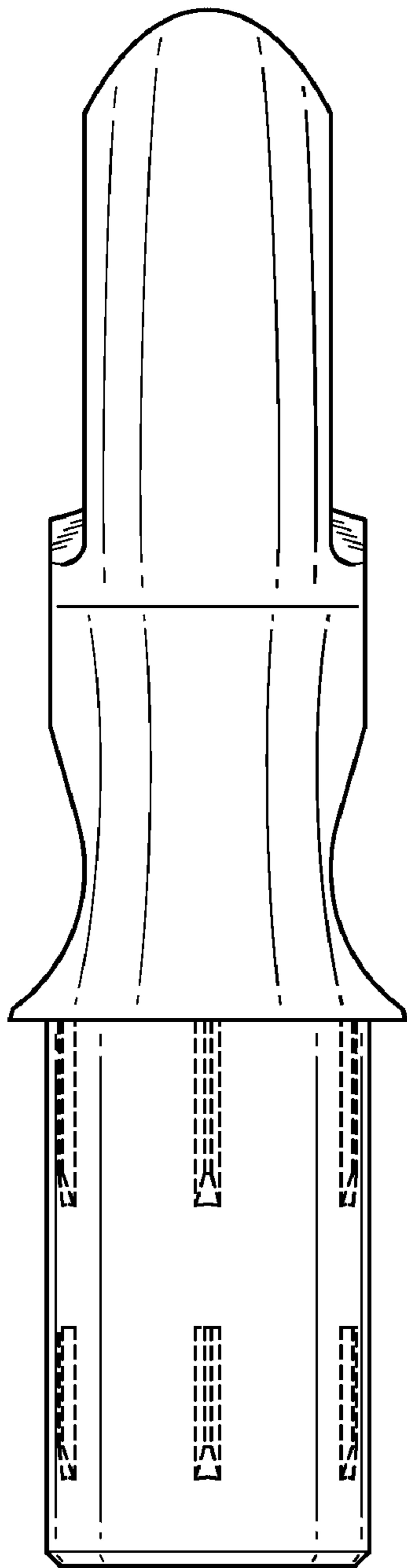


FIG. 3

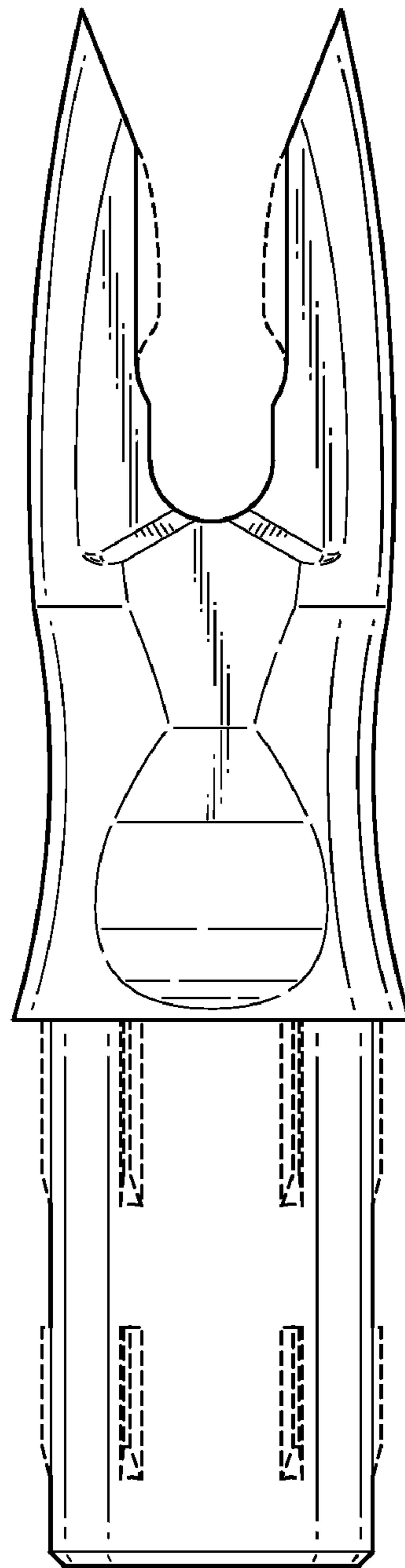


FIG. 4

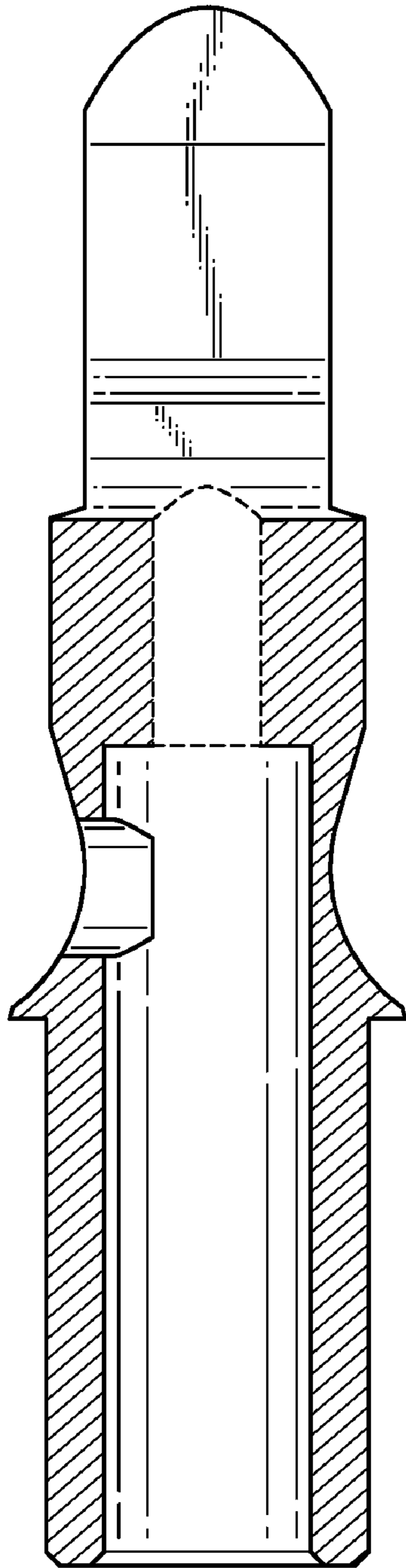


FIG. 5

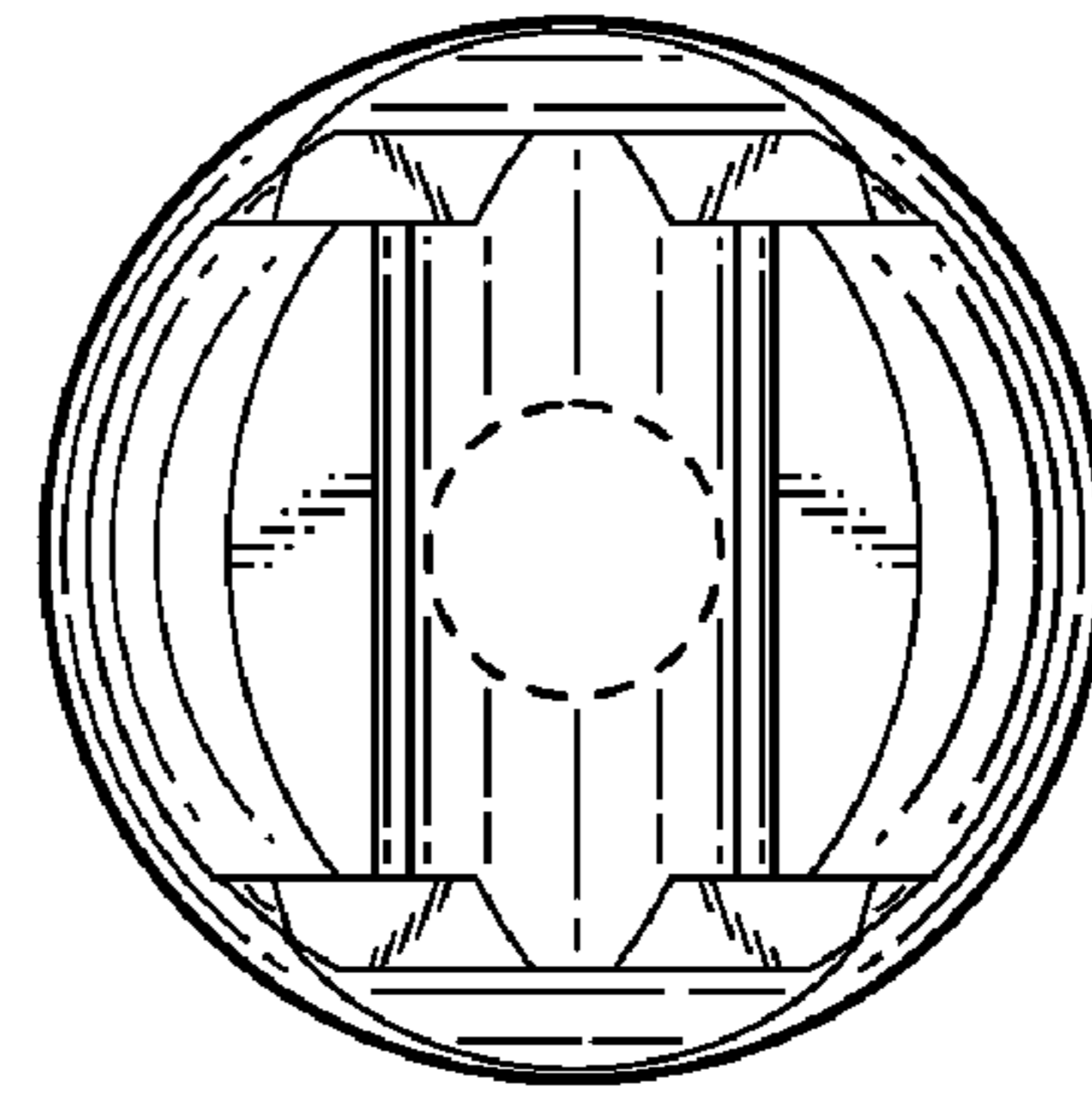


FIG. 6

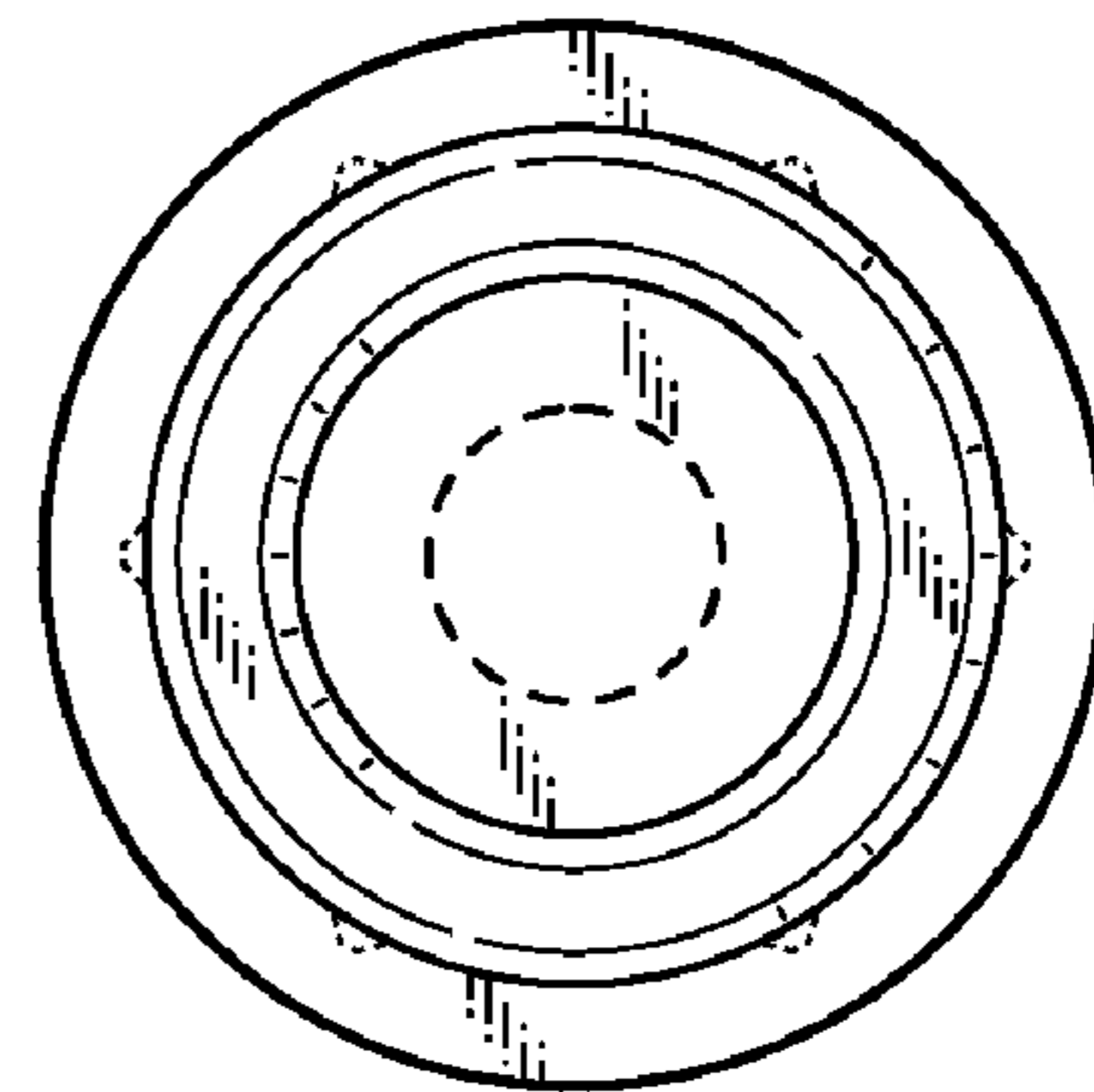


FIG. 7

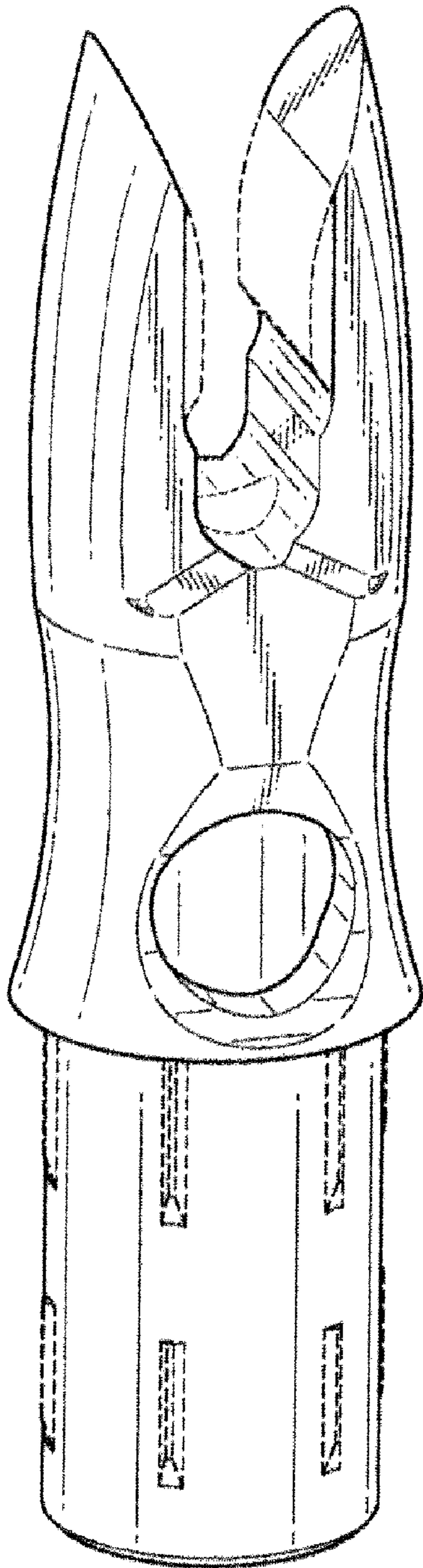


FIG. 8

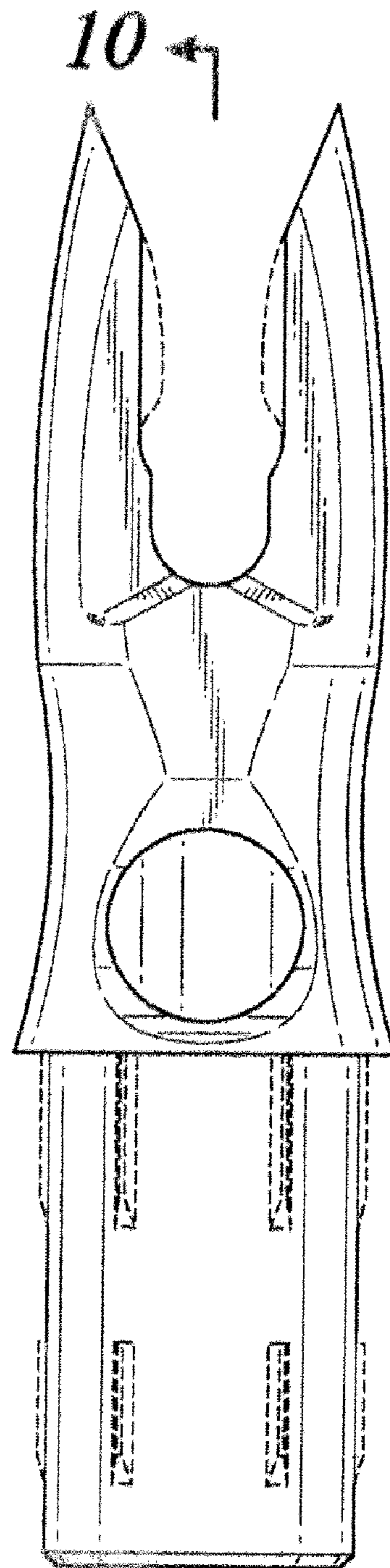


FIG. 9

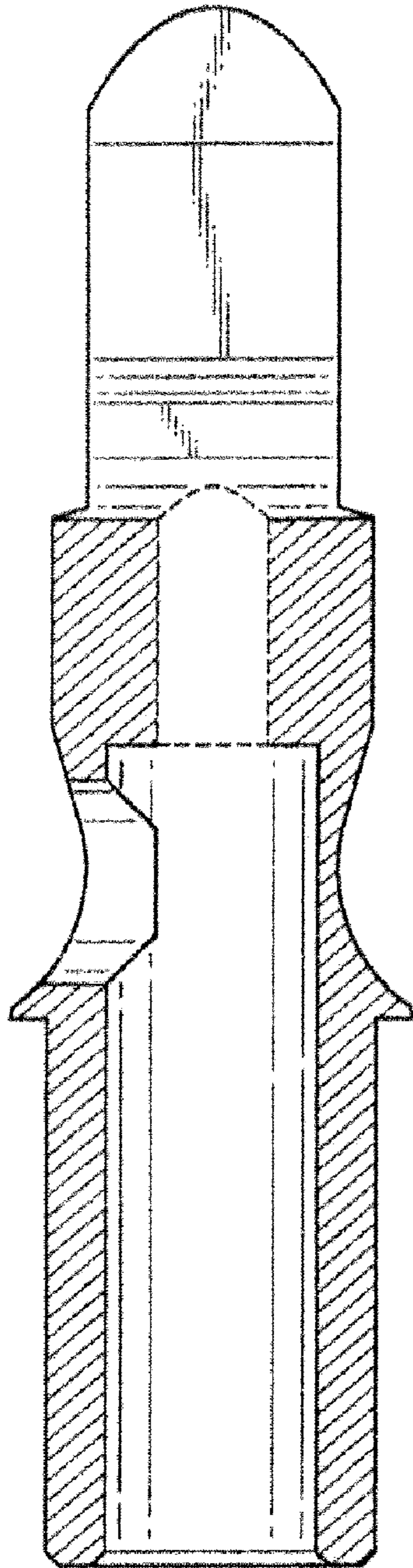


FIG. 10

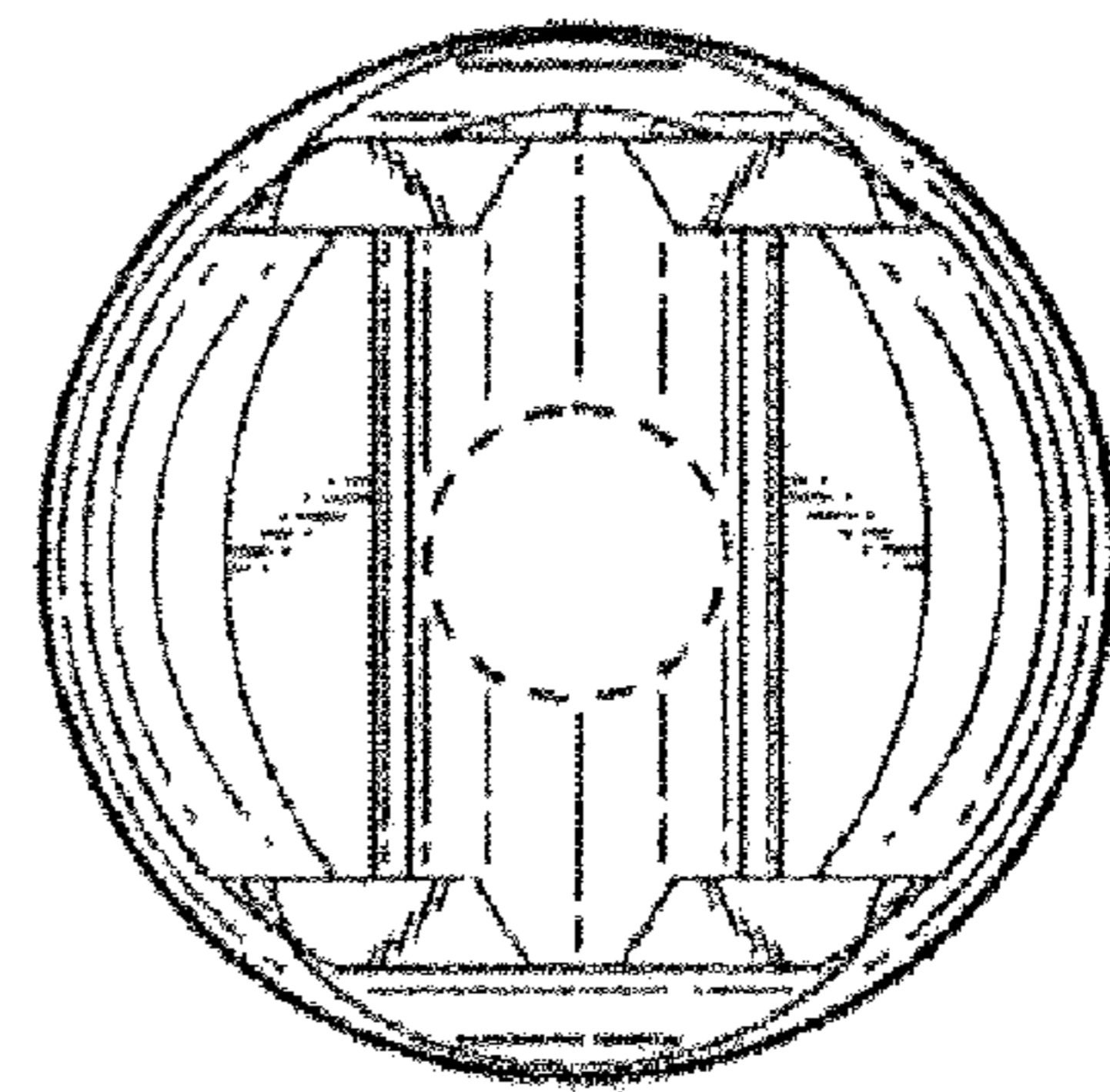


FIG. 11