

US00D664624S

(12) **United States Design Patent**
Orsulak et al.

(10) **Patent No.:** **US D664,624 S**
(45) **Date of Patent:** **** Jul. 31, 2012**

(54) **EXERCISE APPARATUS**

(75) Inventors: **James Michael Orsulak**, Knoxville, TN (US); **Montgomery Scott Kiburn**, Knoxville, TN (US); **Bobby Daryl Shute**, Knoxville, TN (US); **Daniel L. Webb**, Newburgh, IN (US)

(73) Assignee: **Power Systems Inc.**, Knoxville, TN (US)

(**) Term: **14 Years**

(21) Appl. No.: **29/399,977**

(22) Filed: **Aug. 22, 2011**

(51) **LOC (9) Cl.** **21-03**

(52) **U.S. Cl.** **D21/826**

(58) **Field of Classification Search** D21/811,
D21/814, 823-827, 662, 670, 686; 482/35-36;
472/118

See application file for complete search history.

(56) **References Cited**

U.S. PATENT DOCUMENTS

D160,320 S *	10/1950	Horowitz	D21/823
D173,173 S *	10/1954	Rink	D21/691
D200,651 S *	3/1965	Harris, Jr.	D21/826
3,547,435 A *	12/1970	Scott	482/34
D224,245 S *	7/1972	Hock	D21/826
D257,053 S *	9/1980	Ezell	D21/823
D257,165 S *	9/1980	Ezell	D21/823
D263,983 S *	4/1982	Carlson	D21/826
D268,693 S *	4/1983	Works	D21/822

D281,447 S *	11/1985	Gordon	D21/822
D536,409 S *	2/2007	Nye et al.	D21/822
D536,410 S *	2/2007	Nye et al.	D21/822
D536,411 S *	2/2007	Nye et al.	D21/822
D536,412 S *	2/2007	Nye et al.	D21/823
D560,740 S *	1/2008	Phelps et al.	D21/826
8,079,915 B2 *	12/2011	Spencer et al.	472/118

OTHER PUBLICATIONS

Photo from 2009 Woodplay Catalog.

* cited by examiner

Primary Examiner — Mitchell Siegel

(74) *Attorney, Agent, or Firm* — Woodard, Emhardt, Moriarty, McNett & Henry LLP

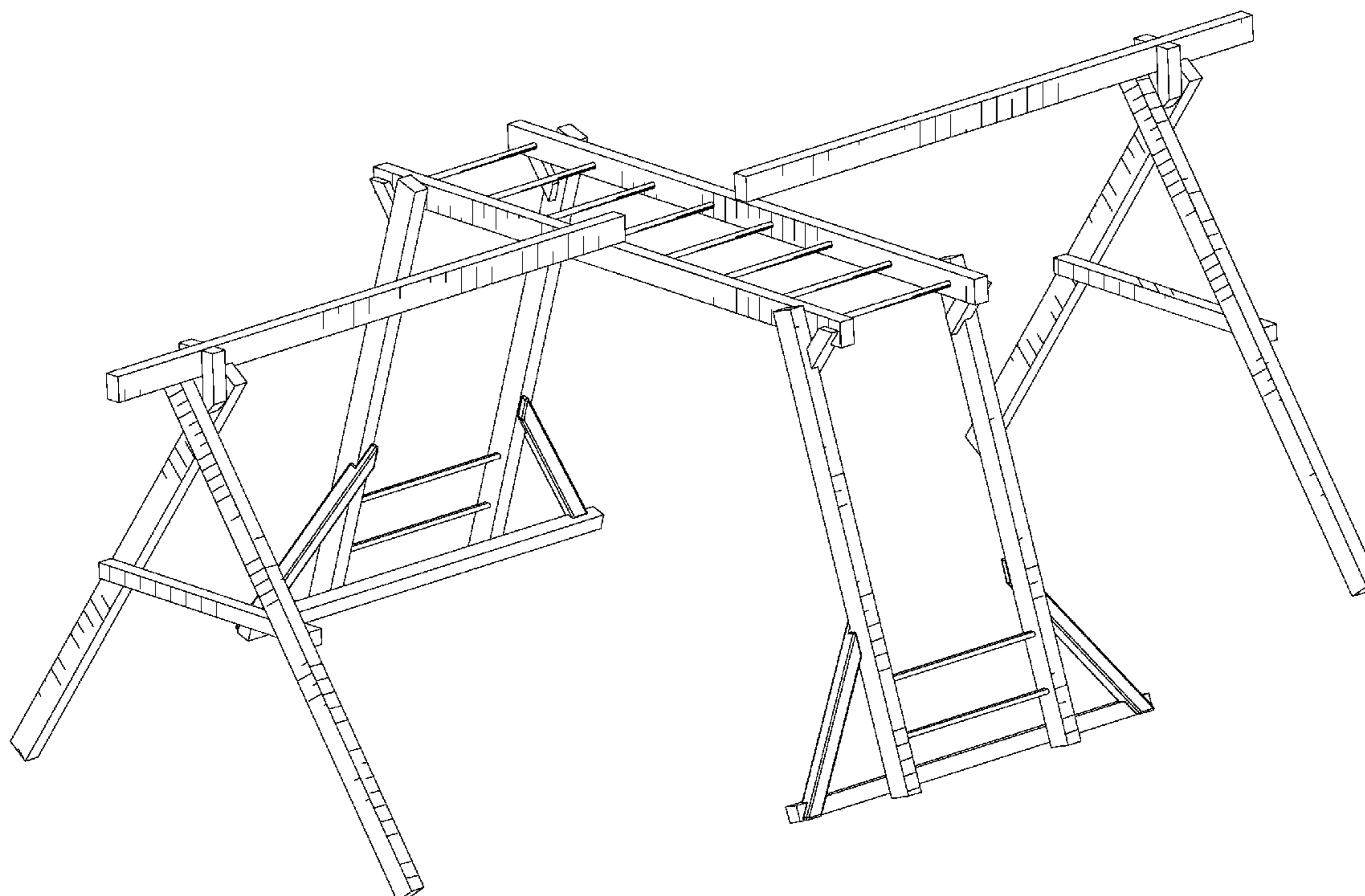
(57) **CLAIM**

The ornamental design for an exercise apparatus, as shown and described.

DESCRIPTION

FIG. 1 is a perspective view of the exercise apparatus.
FIG. 2 is a perspective view of the exercise apparatus.
FIG. 3 is a front view of the exercise apparatus, the back view is a mirror image.
FIG. 4 is a left end view of the exercise apparatus, the right end view is a mirror image.
FIG. 5 is a top view of the exercise apparatus; and,
FIG. 6 is a bottom view of the exercise apparatus.

1 Claim, 6 Drawing Sheets



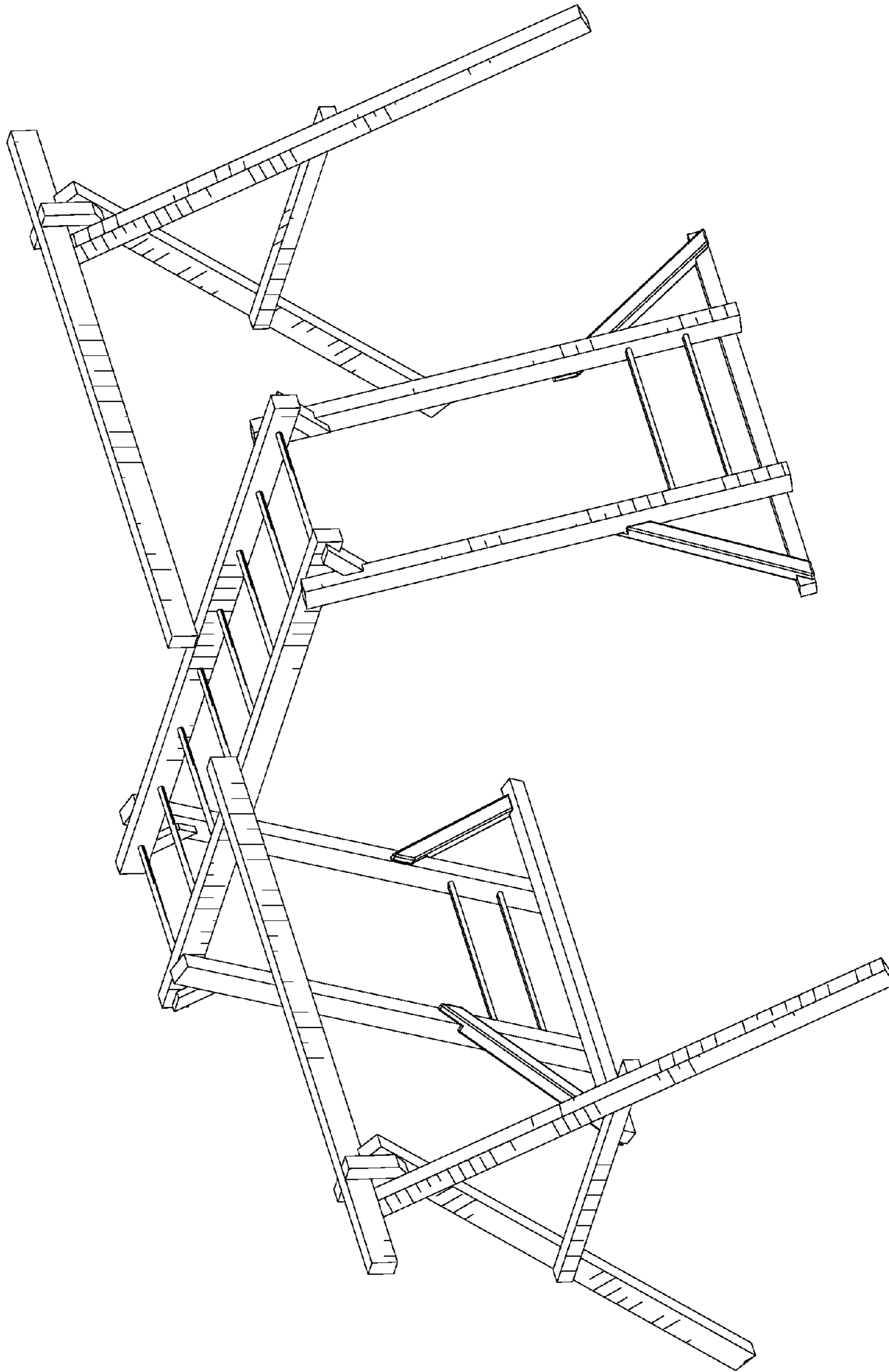


Fig. 1

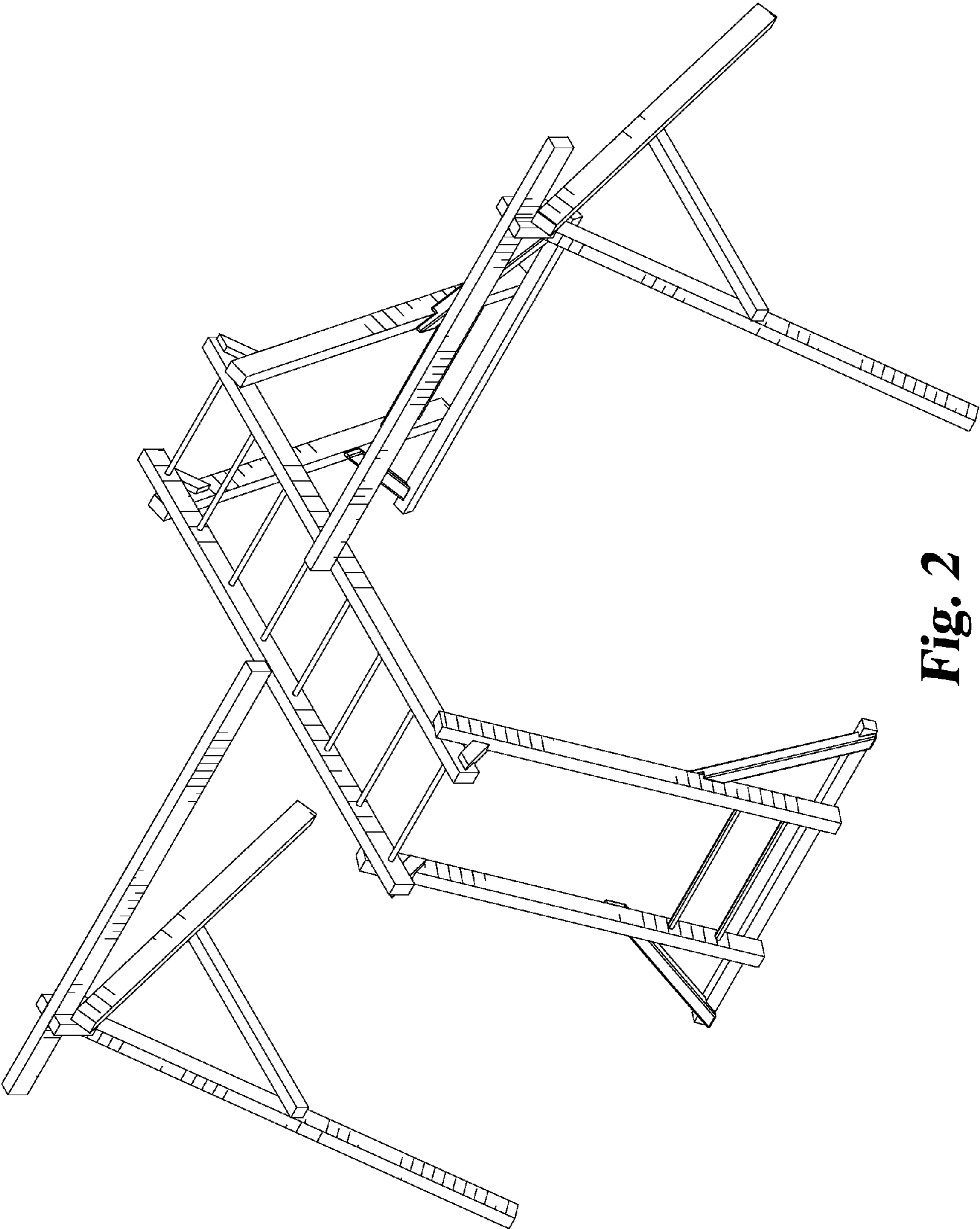


Fig. 2

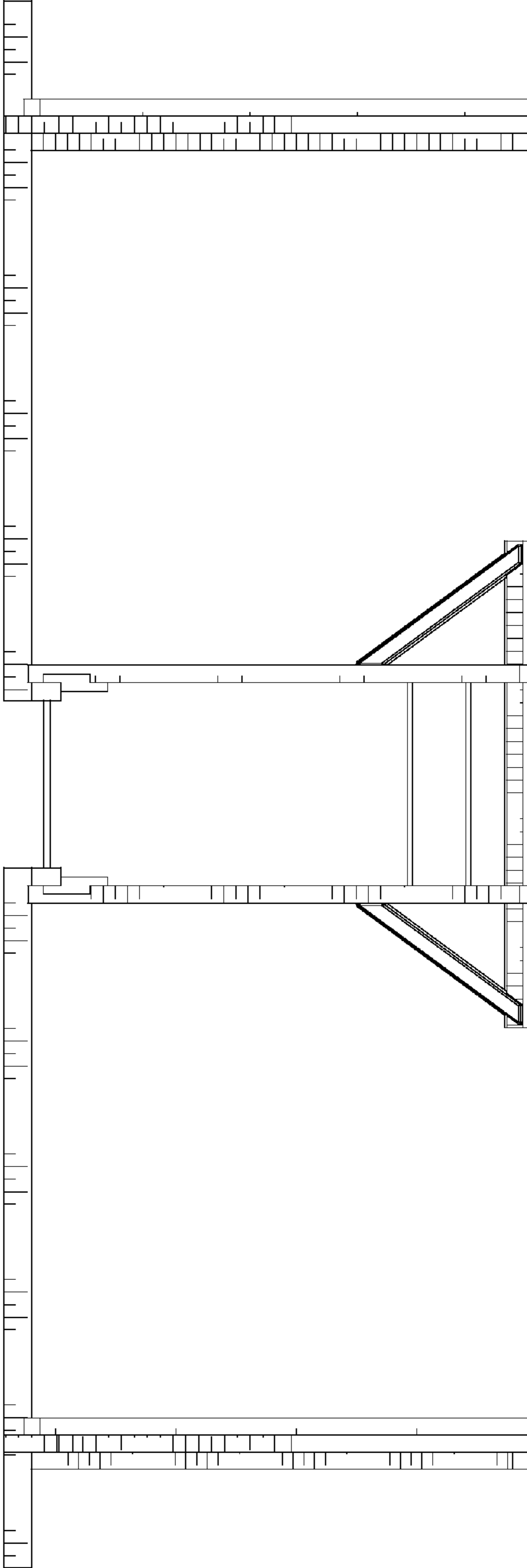


Fig. 3

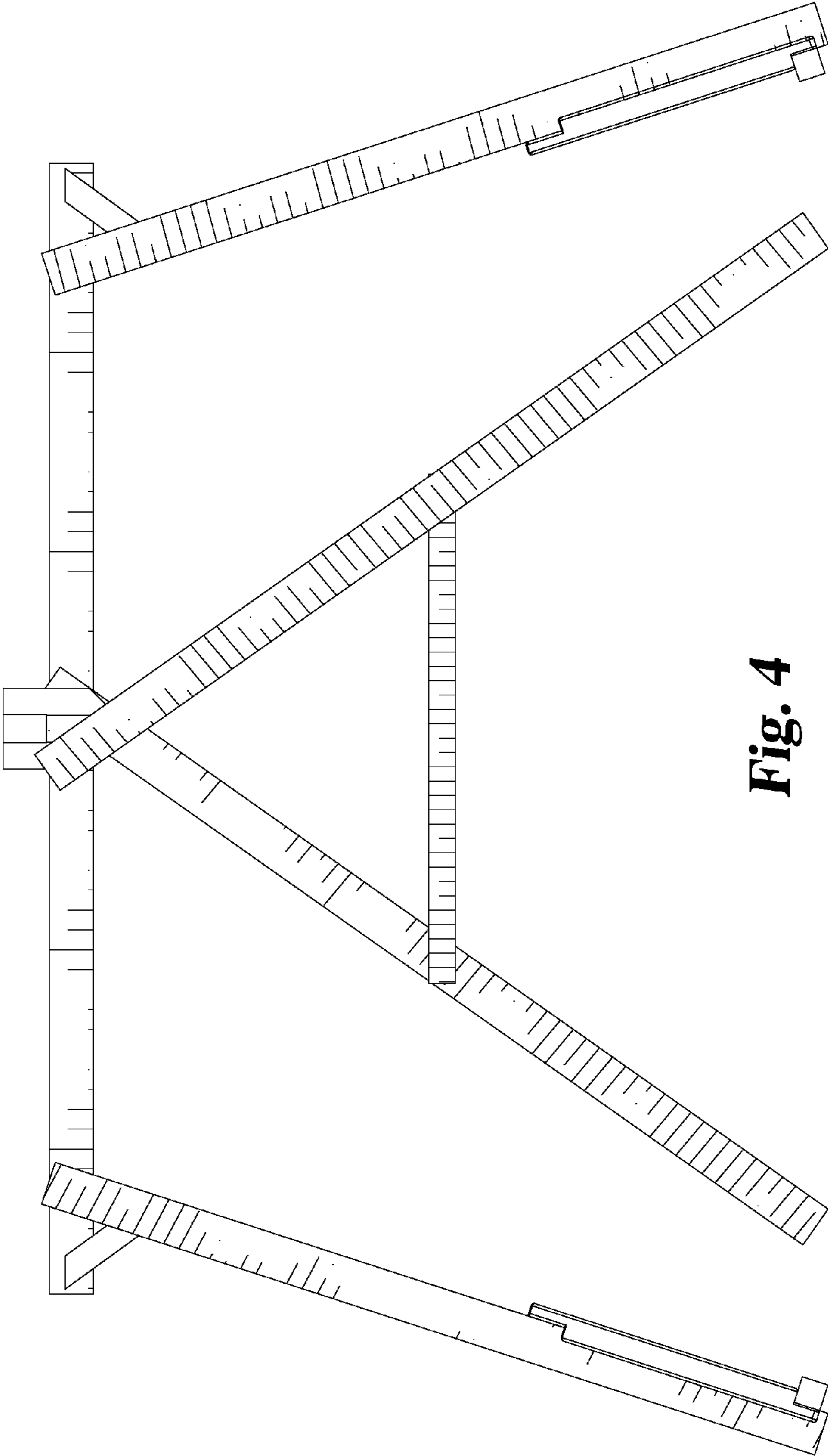


Fig. 4

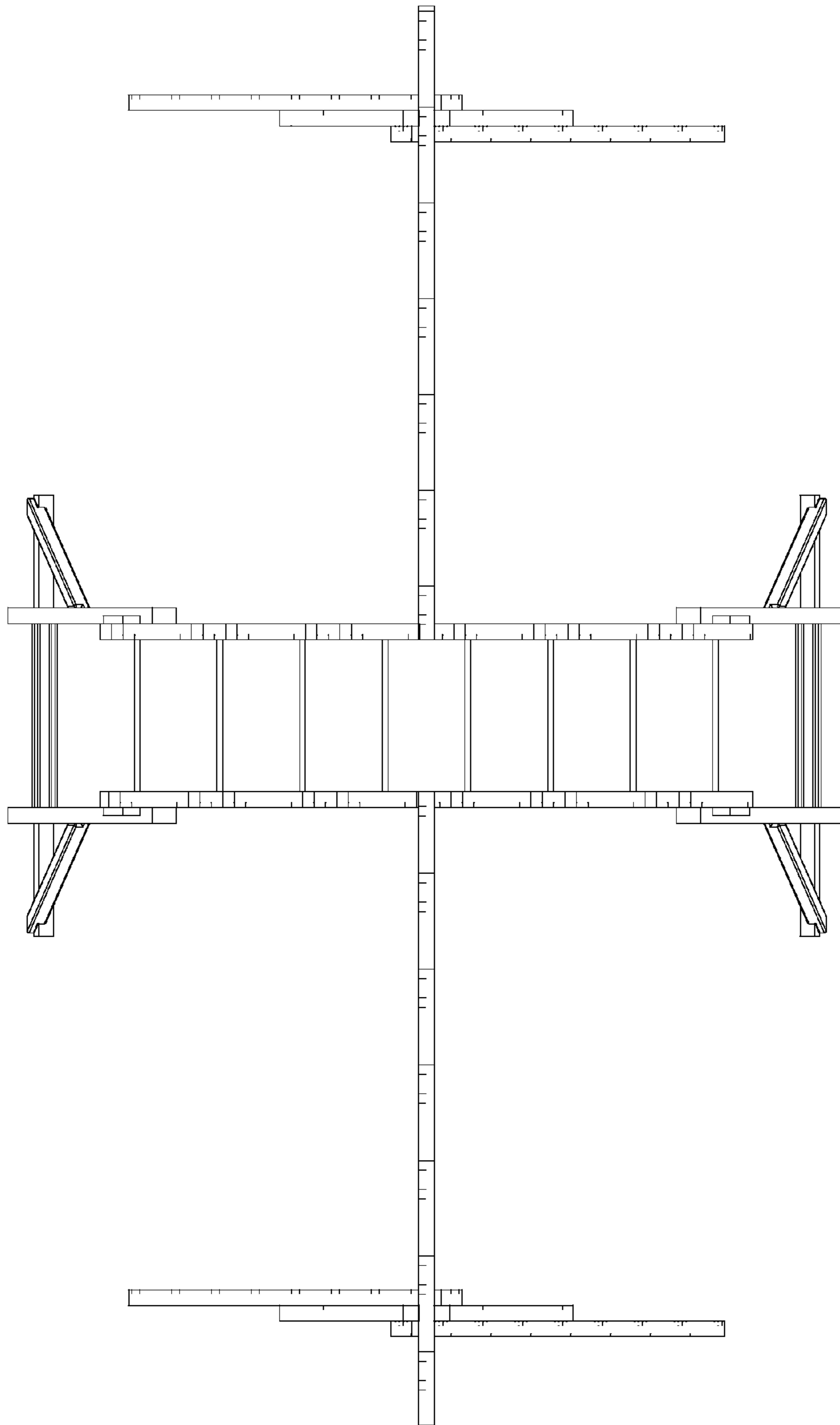


Fig. 5

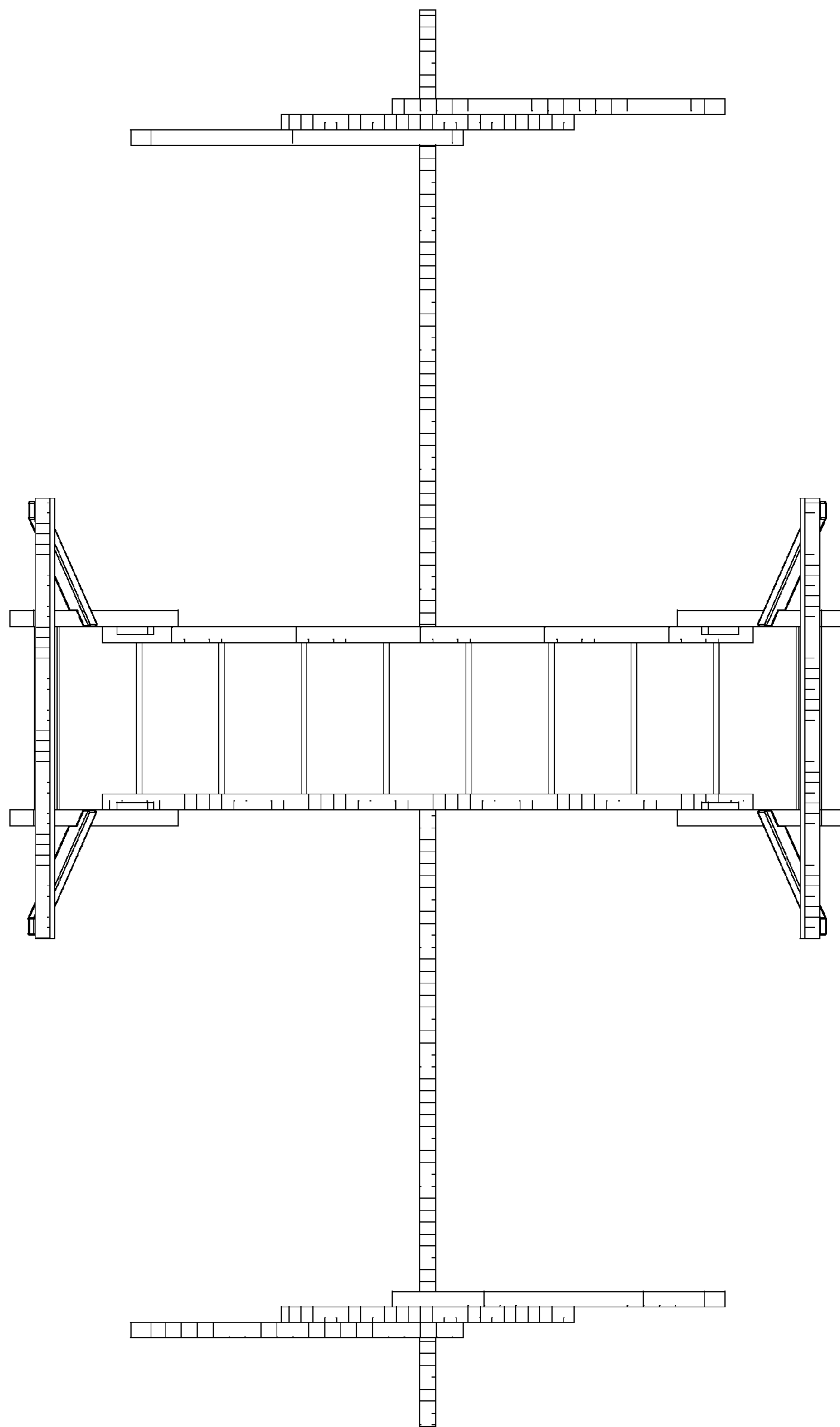


Fig. 6