

US00D664622S

(12) **United States Design Patent**
Orsulak et al.

(10) **Patent No.:** **US D664,622 S**

(45) **Date of Patent:** **** Jul. 31, 2012**

(54) **EXERCISE APPARATUS**

(75) Inventors: **James Michael Orsulak**, Knoxville, TN (US); **Montgomery Scott Kilburn**, Knoxville, TN (US); **Bobby Daryl Shute**, Knoxville, TN (US); **Daniel L. Webb**, Newburgh, IN (US)

(73) Assignee: **Power Systems Inc.**, Knoxville, TN (US)

(**) Term: **14 Years**

(21) Appl. No.: **29/399,975**

(22) Filed: **Aug. 22, 2011**

(51) **LOC (9) Cl.** **21-02**

(52) **U.S. Cl.** **D21/797**; D21/826; D21/686

(58) **Field of Classification Search** D21/662,
D21/676, 686, 690, 691, 694, 797, 814, 818,
D21/820, 823, 825, 826; 482/23, 35, 36,
482/38-40, 131, 104, 140, 142, 143, 165;
472/116, 117, 118, 120, 136; 182/23, 27,
182/172

See application file for complete search history.

(56) **References Cited**

U.S. PATENT DOCUMENTS

1,529,467	A *	3/1925	Davis et al.	472/120
1,779,903	A *	10/1930	Daragon	482/23
2,012,592	A *	8/1935	Skiba	182/27
2,222,119	A *	11/1940	Overholt	482/35
D135,935	S *	7/1943	Miller	D21/826
D146,557	S *	4/1947	Cosme	D21/826
D160,320	S *	10/1950	Horowitz	D21/823

D180,402	S *	6/1957	Harris, Jr.	D21/797
4,278,250	A *	7/1981	Baynes et al.	482/36
D270,927	S *	10/1983	Carlson	D21/818
4,630,819	A *	12/1986	Levin	482/36
4,796,884	A *	1/1989	Ely et al.	482/35
6,361,445	B1 *	3/2002	Zeilinger	472/117
D503,757	S *	4/2005	Sjurdagardi	D21/691
D536,412	S *	2/2007	Nye et al.	D21/823
7,806,775	B1 *	10/2010	Kain	472/118
8,002,642	B2 *	8/2011	Guerzini et al.	472/116
8,016,686	B2 *	9/2011	Liggett et al.	472/136

OTHER PUBLICATIONS

Photo from 2009 Woodplay Catalog.

* cited by examiner

Primary Examiner — Susan E Krakower

(74) *Attorney, Agent, or Firm* — Woodard, Emhardt, Moriarty, McNett & Henry LLP

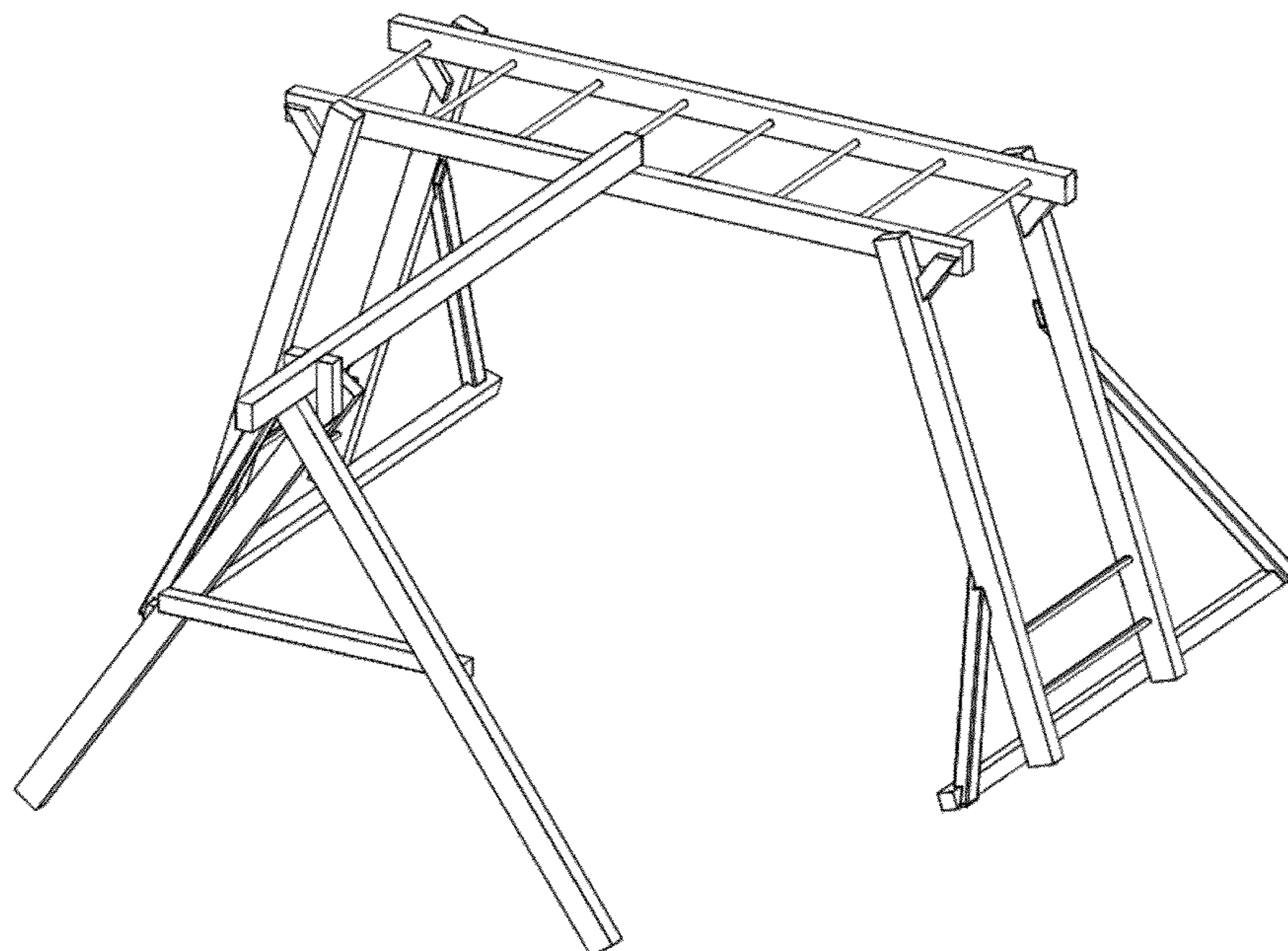
(57) **CLAIM**

The ornamental design for an exercise apparatus, as shown and described.

DESCRIPTION

FIG. 1 is a perspective view of the exercise apparatus.
FIG. 2 is a front view of the exercise apparatus.
FIG. 3 is a right view of the exercise apparatus.
FIG. 4 is a left view of the exercise apparatus.
FIG. 5 is a rear view of the exercise apparatus.
FIG. 6 is a top view of the exercise apparatus; and,
FIG. 7 is a bottom view of the exercise apparatus.

1 Claim, 7 Drawing Sheets



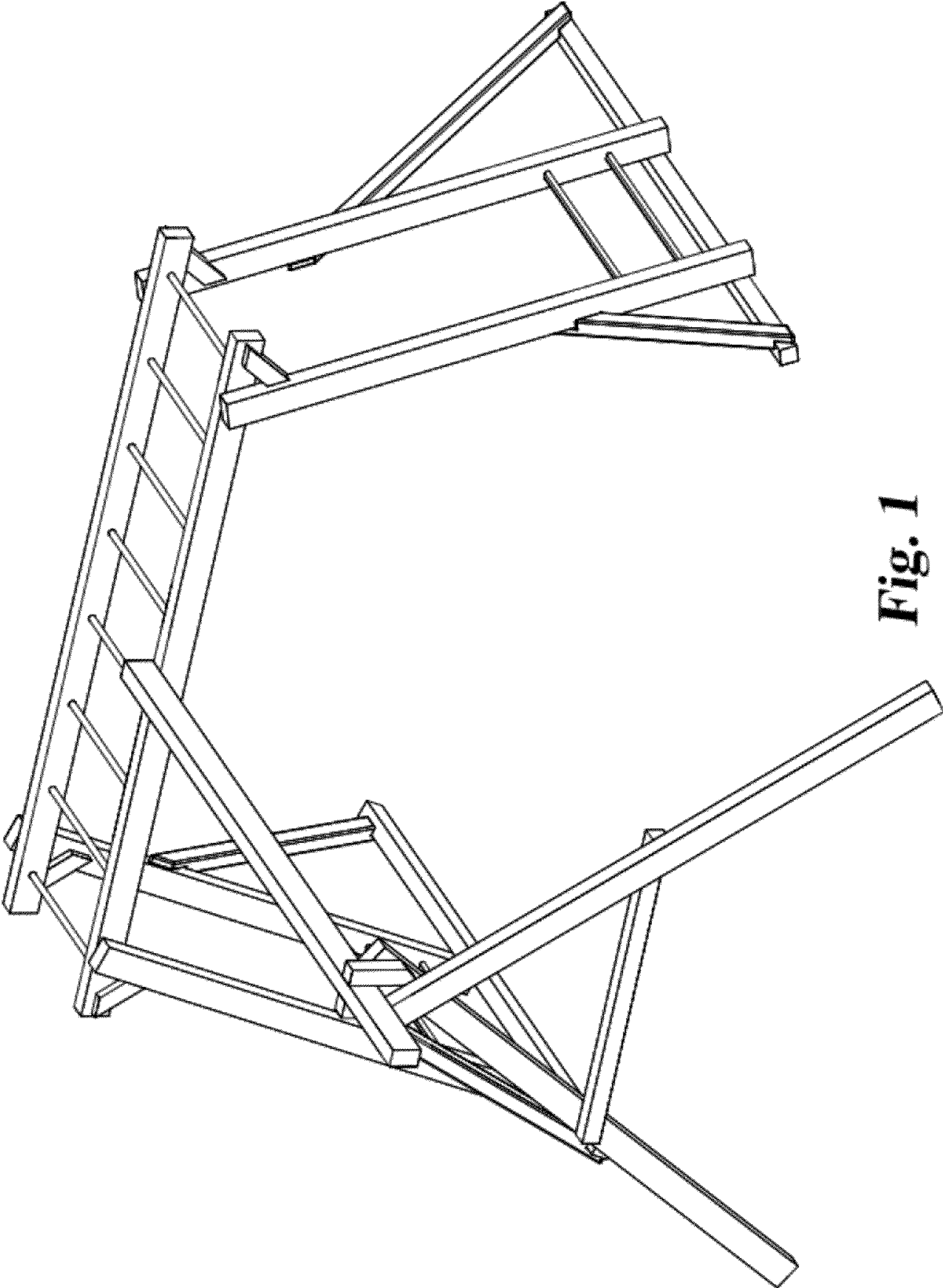


Fig. 1

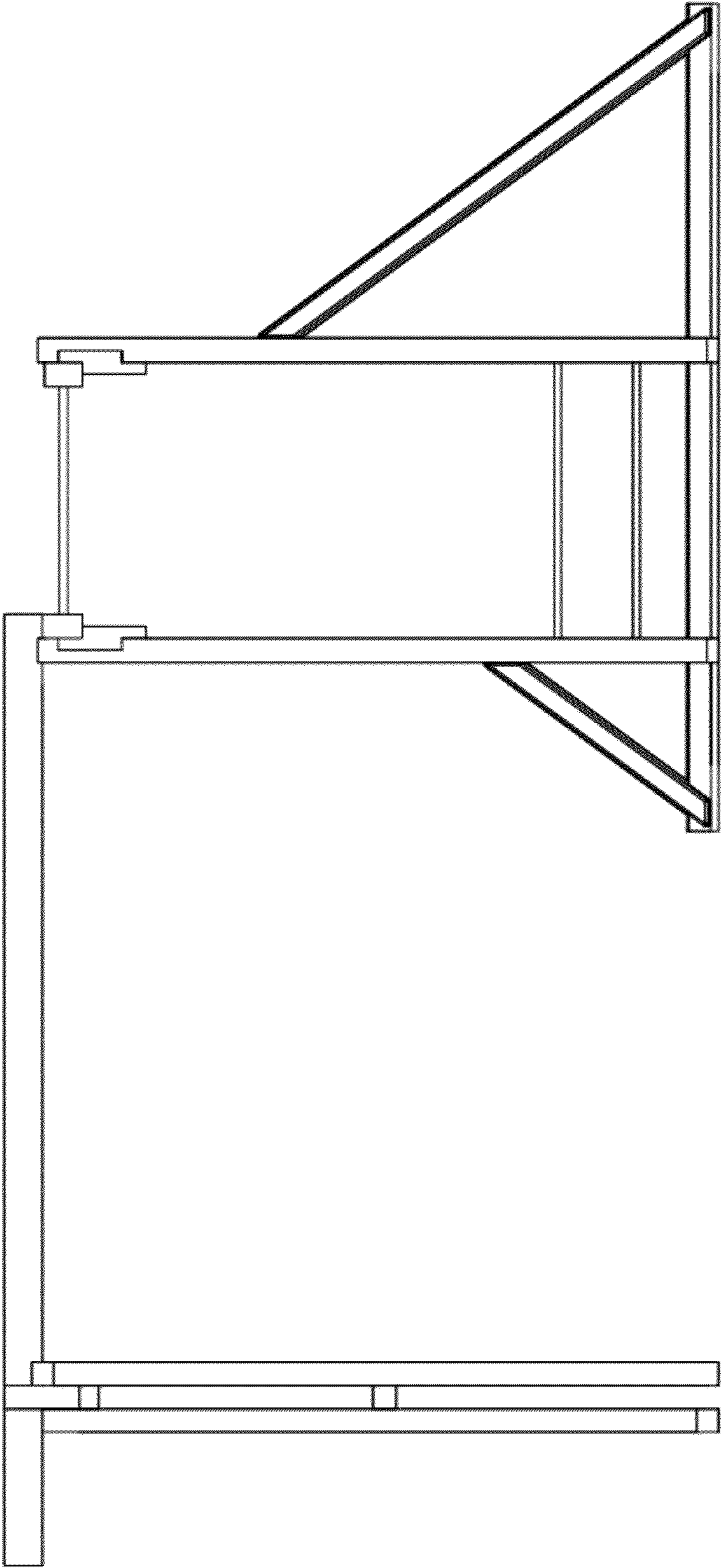


Fig. 2

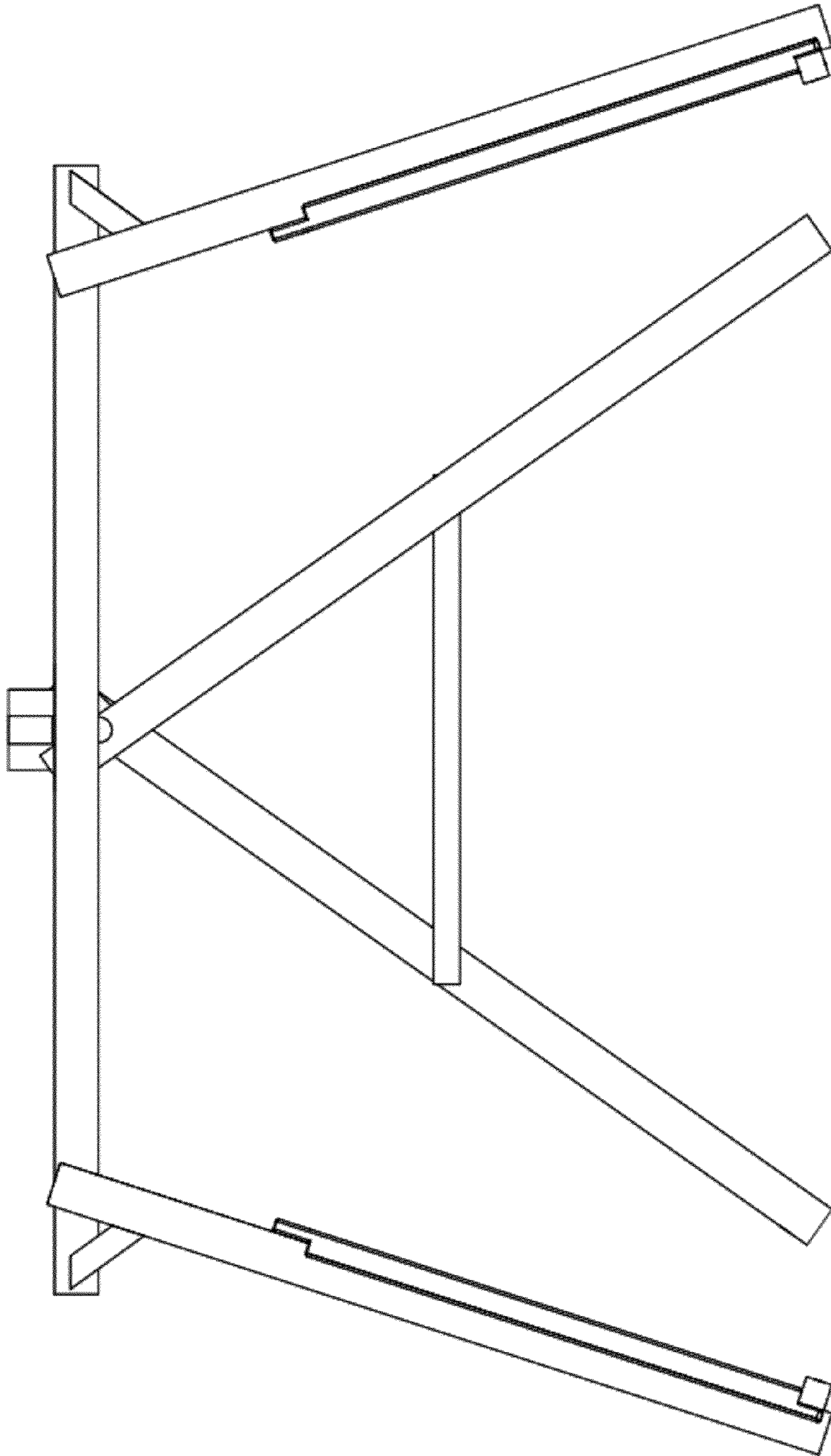


Fig. 3

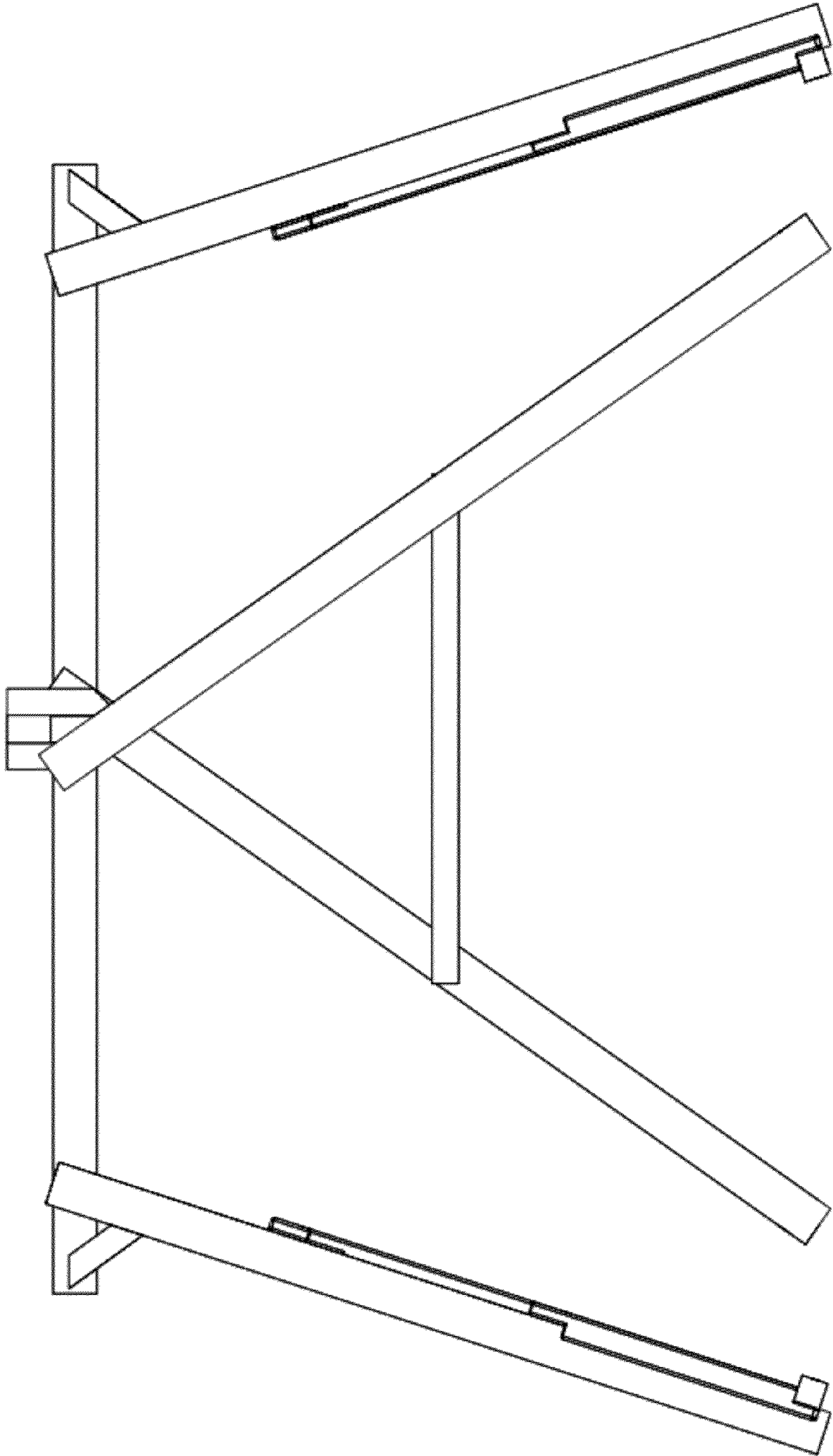


Fig. 4

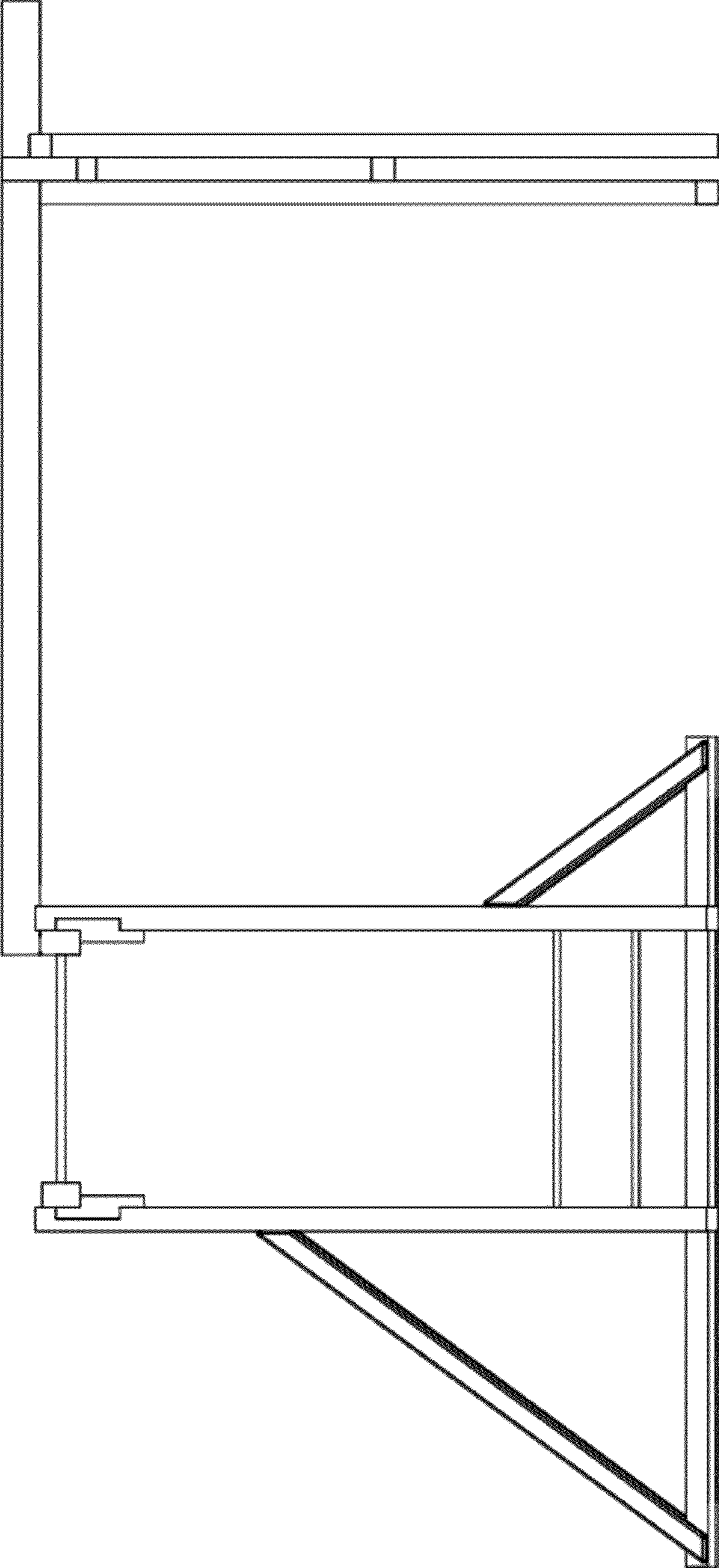


Fig. 5

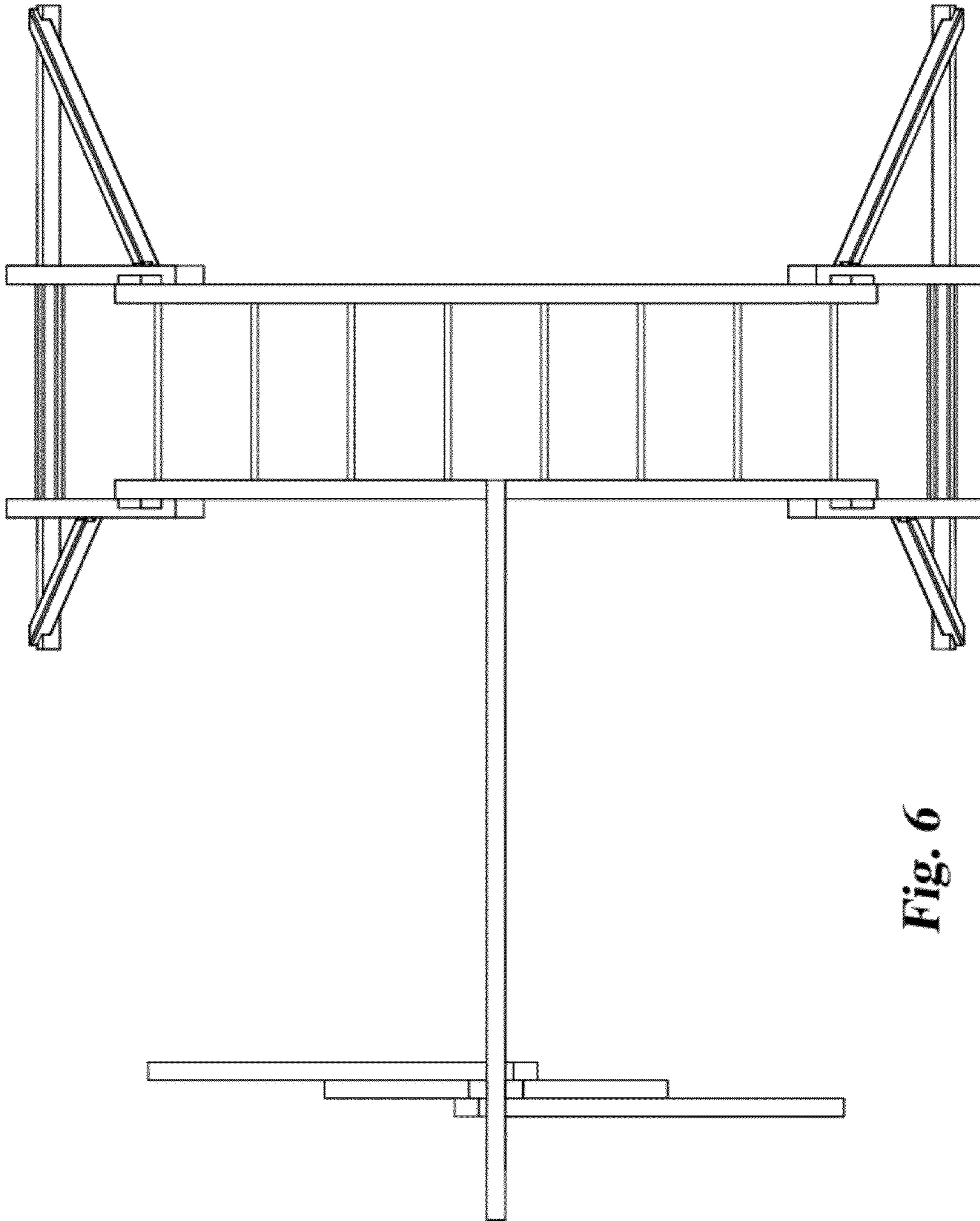


Fig. 6

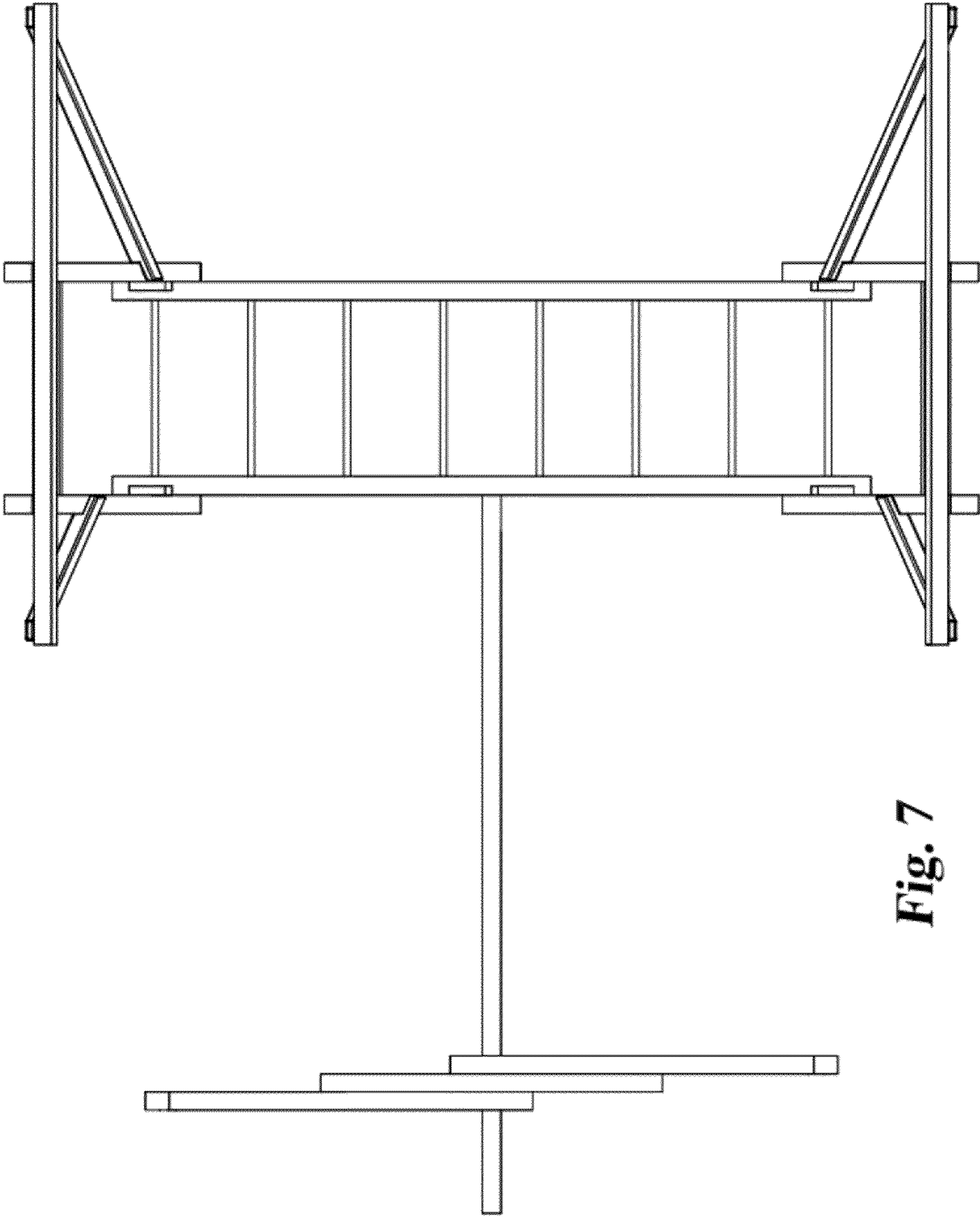


Fig. 7