

US00D664619S

(12) **United States Design Patent**
Savarese et al.

(10) **Patent No.:** **US D664,619 S**
(45) **Date of Patent:** **** Jul. 31, 2012**

(54) **GOLF CLUB TAG AND GRIP**

(75) Inventors: **Chris Savarese**, Danville, CA (US);
Noel H. C. Marshall, Geringong, CA
(US); **Susan McGill**, Redwood City, CA
(US); **Kenneth P. Gilliland**, Petaluma,
CA (US)

(73) Assignee: **Radar Corporation**, San Ramon, CA
(US)

(**) Term: **14 Years**

(21) Appl. No.: **29/406,849**

(22) Filed: **Nov. 18, 2011**

Related U.S. Application Data

(60) Division of application No. 29/375,140, filed on Sep.
17, 2010, now Pat. No. Des. 649,610, which is a
continuation-in-part of application No. 29/358,183,
filed on Mar. 23, 2010, now Pat. No. Des. 627,021.

(51) **LOC (9) Cl.** **21-02**

(52) **U.S. Cl.** **D21/756**

(58) **Field of Classification Search** D21/789,
D21/793-794, 756-758, 460, 753; 473/285,
473/406, 300-303, 404, 407; 446/256; 340/368.6
See application file for complete search history.

(56) **References Cited**

U.S. PATENT DOCUMENTS

2,446,622	A	8/1948	Turner	
D212,103	S *	8/1968	Myers	D21/756
D216,549	S *	2/1970	Dworak	D21/756
D223,459	S *	4/1972	Spencer	D21/756
D223,461	S *	4/1972	Spencer	D21/756
D223,462	S *	4/1972	Spencer	D21/756
D235,898	S *	7/1975	Spencer	D21/756
D235,899	S *	7/1975	Spencer	D21/756

D238,381	S *	1/1976	Spencer	D21/756
D243,355	S *	2/1977	Spencer	D21/756
D244,100	S *	4/1977	Spencer	D21/756
D259,802	S *	7/1981	Williams	D21/756
4,380,337	A	4/1983	DiMatteo	
D268,944	S *	5/1983	Southey	D21/756
D284,298	S *	6/1986	Kobayashi	D21/756
D307,169	S *	4/1990	Aldridge	D21/756
D32,971	S	7/1990	Smith	

(Continued)

FOREIGN PATENT DOCUMENTS

GB 2440027 A 1/2008

(Continued)

Primary Examiner — Mitchell Siegel

(74) *Attorney, Agent, or Firm* — Blakely, Sokoloff, Taylor &
Zafman LLP

(57) **CLAIM**

The ornamental design for a golf club tag and grip, as shown
and described.

DESCRIPTION

This application is related to U.S. patent application Ser. No.
12/813,465, filed on Jun. 10, 2010.

FIG. 1 is a top plan view of the golf club tag and grip with the
vent hole offset;

FIG. 2 is an elevational view thereof;

FIG. 3 is a top perspective view thereof;

FIG. 4 is a top plan view of a second embodiment of the golf
club tag and grip with the vent hole offset;

FIG. 5 is an elevational view of FIG. 4;

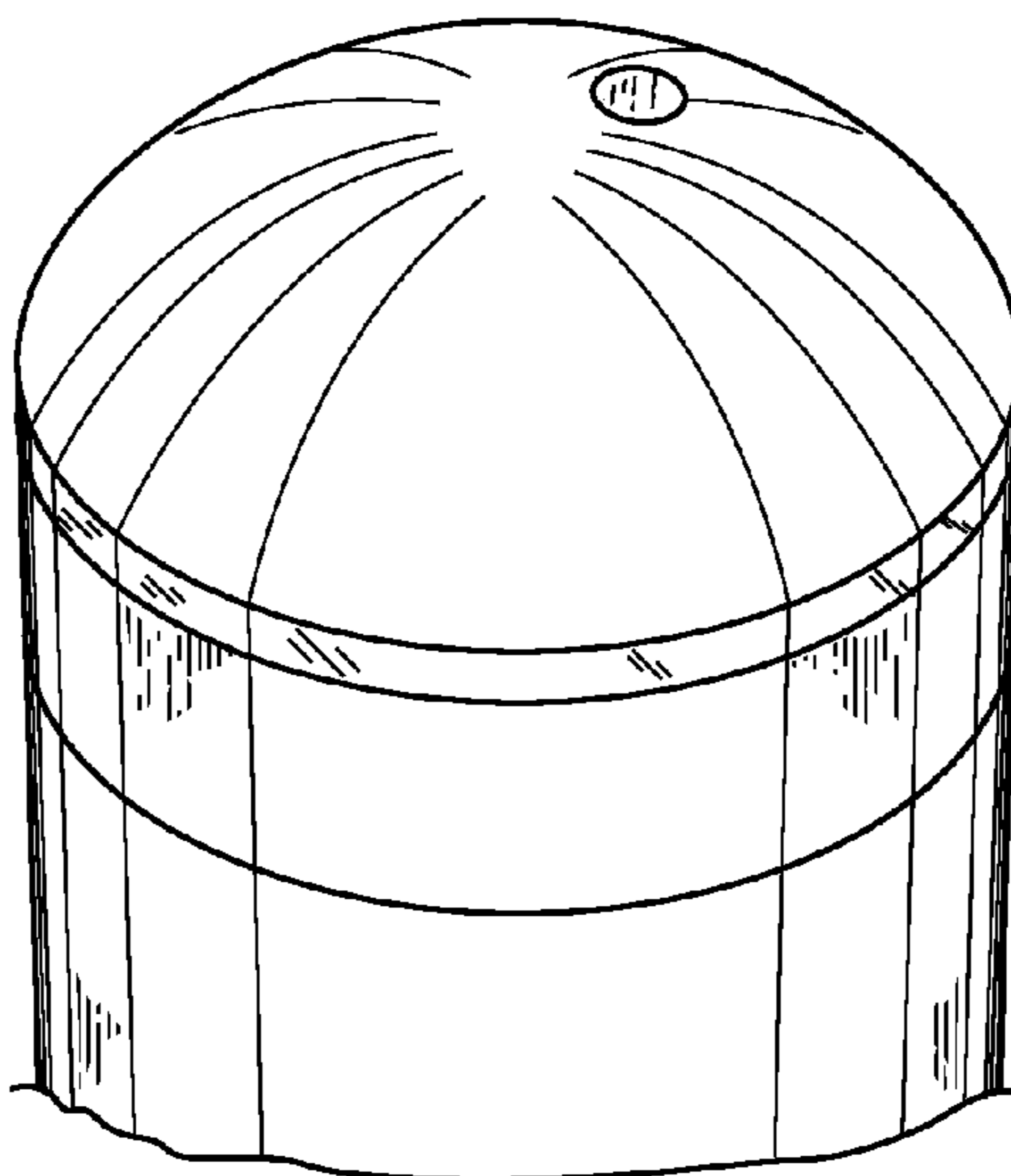
FIG. 6 is a top perspective view of FIG. 4;

FIG. 7 is a top plan view of a third embodiment of the golf
club tag and grip;

FIG. 8 is an elevational view of FIG. 7; and,

FIG. 9 is a top perspective view of FIG. 7.

1 Claim, 6 Drawing Sheets



US D664,619 S

Page 2

U.S. PATENT DOCUMENTS

D314,600 S 2/1991 Tosti
D319,278 S 8/1991 Tosti
D319,862 S 9/1991 Lahger
D322,637 S * 12/1991 Aldridge D21/756
D360,447 S 7/1995 Howe, Jr. et al.
D363,963 S * 11/1995 Boone et al. D21/756
D365,131 S * 12/1995 Edwards et al. D21/756
5,476,258 A 12/1995 Frisone
D371,818 S * 7/1996 Stolz D21/756
D376,400 S * 12/1996 Nakazaki D21/756
D379,394 S * 5/1997 Fortis D21/756
D394,889 S * 6/1998 Haines et al. D21/756
D410,518 S 6/1999 Didier et al.
6,118,376 A 9/2000 Regester
D432,197 S 10/2000 Carr
D445,158 S * 7/2001 Stinson D21/756
D450,364 S 11/2001 Kersten
D462,404 S * 9/2002 Huang D21/756
D463,521 S * 9/2002 Jones D21/756
D464,694 S * 10/2002 Moore D21/756
D469,137 S * 1/2003 Huang D21/756
D469,138 S * 1/2003 Huang D21/756
D469,492 S * 1/2003 Huang D21/756
D472,703 S 4/2003 Wampler et al.
D478,141 S * 8/2003 Huang D21/756
D488,202 S 4/2004 Jaffe

D489,781 S 5/2004 Lane
D494,650 S * 8/2004 Petersen et al. D21/756
D502,750 S * 3/2005 Chen D21/756
D523,507 S 6/2006 Perry et al.
D523,512 S 6/2006 Rydzynski et al.
D536,048 S 1/2007 Chen
D538,869 S 3/2007 Wang et al.
D564,610 S 3/2008 Chen
7,399,235 B2 7/2008 Gill et al.
D584,781 S 1/2009 Chen
D593,172 S 5/2009 Gill et al.
D595,380 S 6/2009 Koehler
D599,871 S * 9/2009 Jertson et al. D21/756
D602,104 S 10/2009 Black et al.
D627,023 S 11/2010 Hsu
D629,857 S 12/2010 Gill et al.
7,931,544 B2 * 4/2011 Gill 473/300
D648,816 S * 11/2011 Sun D21/756
D649,610 S * 11/2011 Savarese et al. D21/756

FOREIGN PATENT DOCUMENTS

JP 52-041255 3/1977
JP 54-4068 1/1979
JP 59-017370 1/1984
JP 1-069563 5/1989
JP 2000-037487 8/2000

* cited by examiner

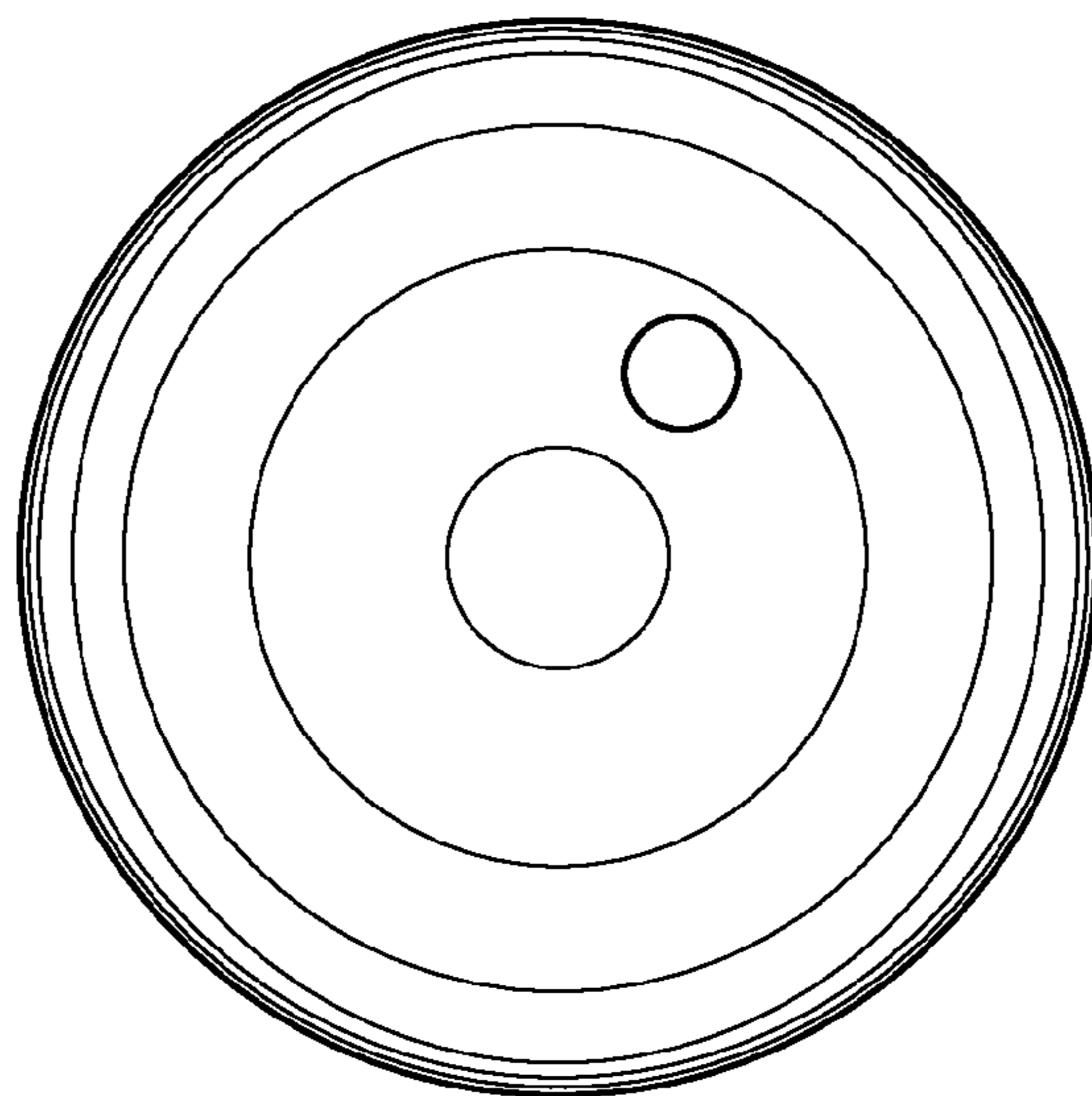


FIG. 1

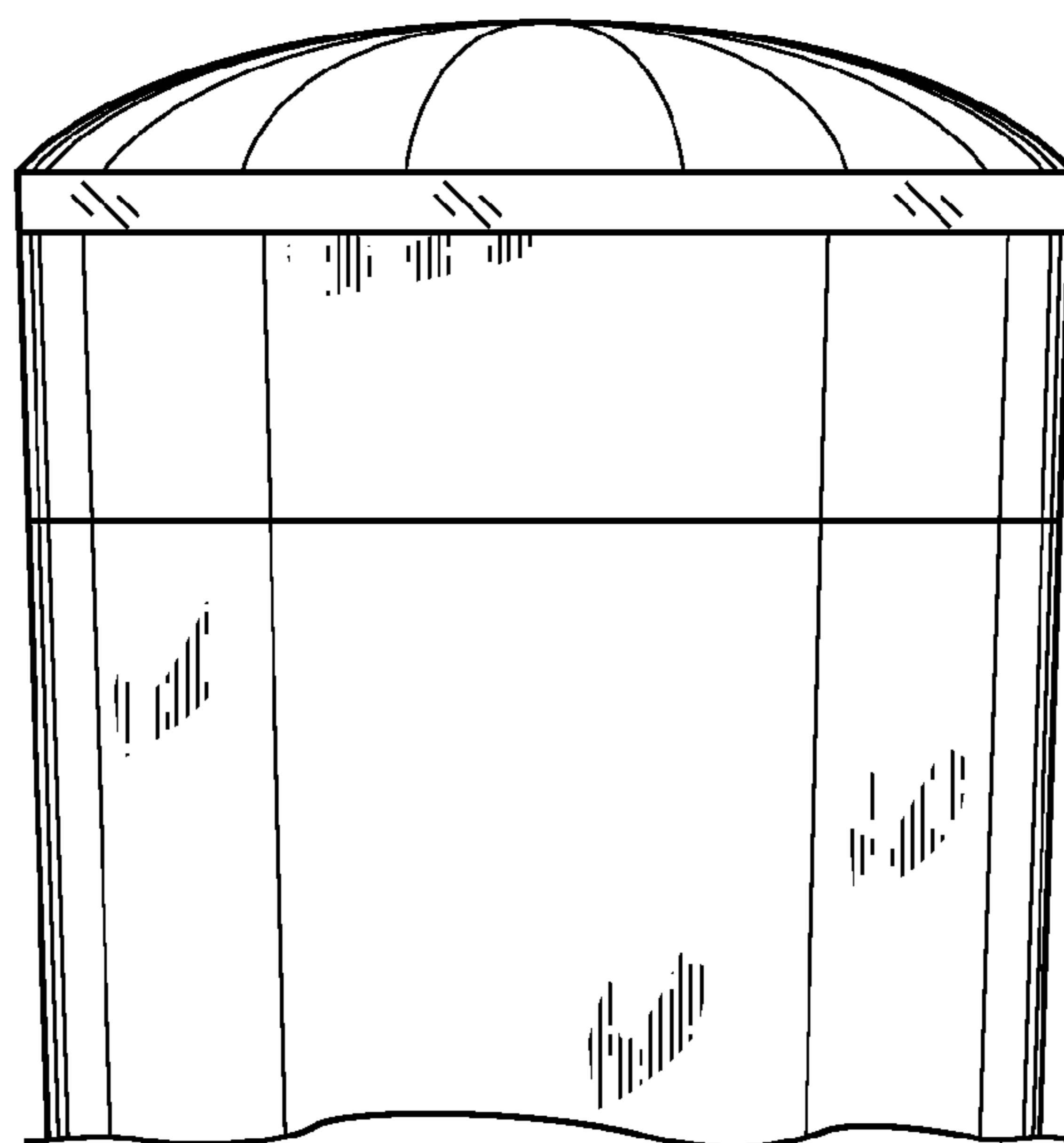


FIG. 2

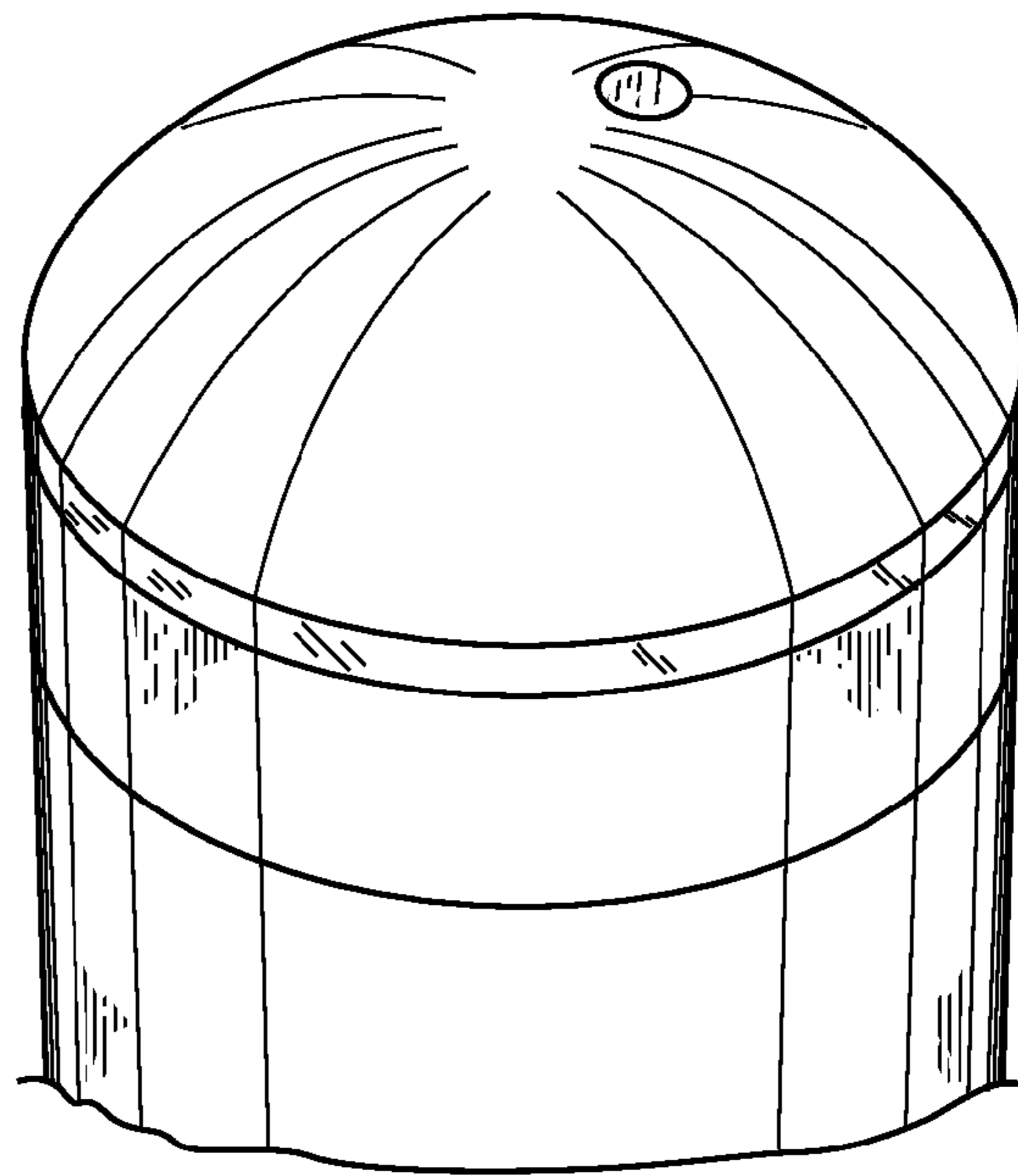


FIG. 3

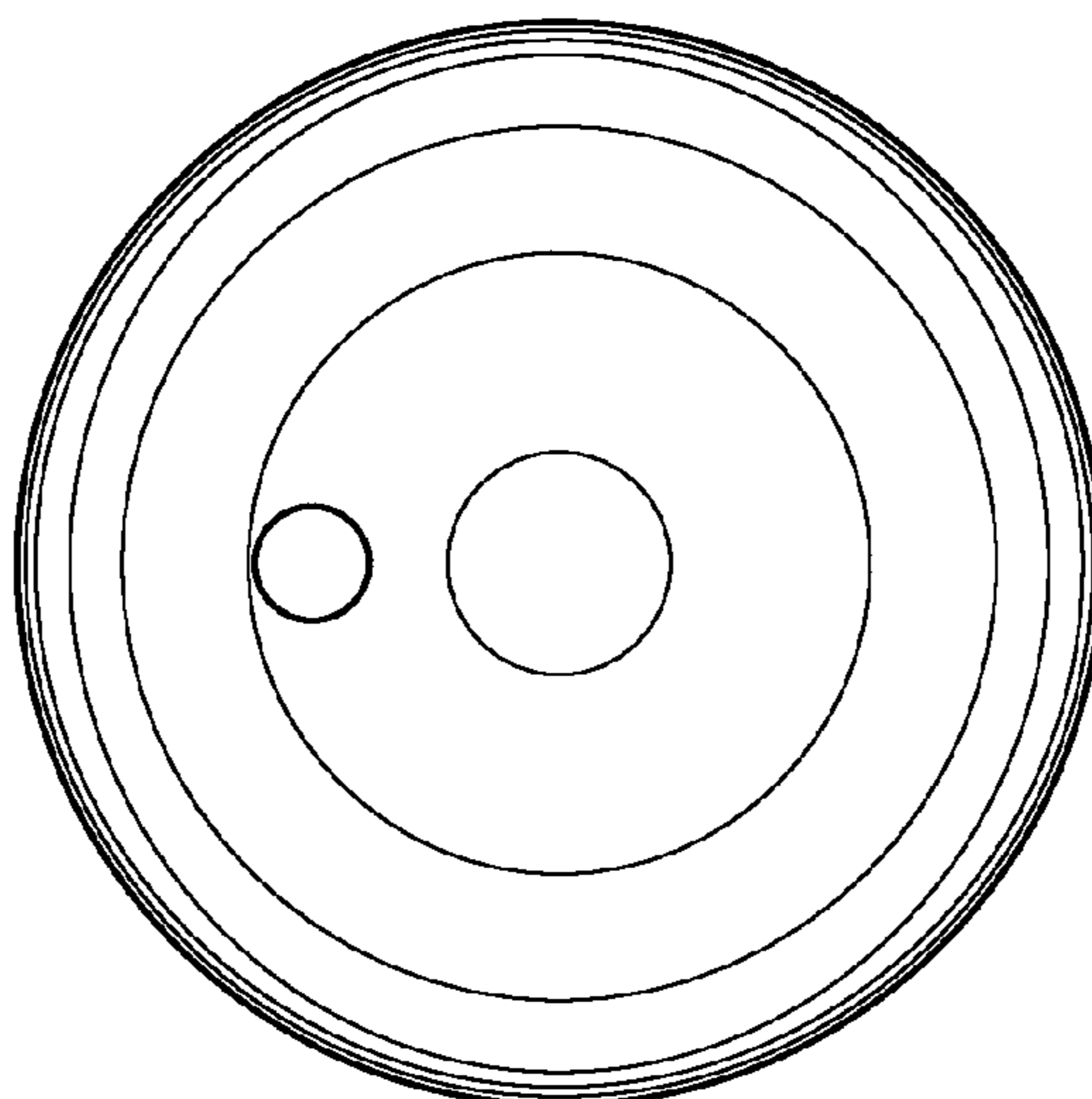


FIG. 4

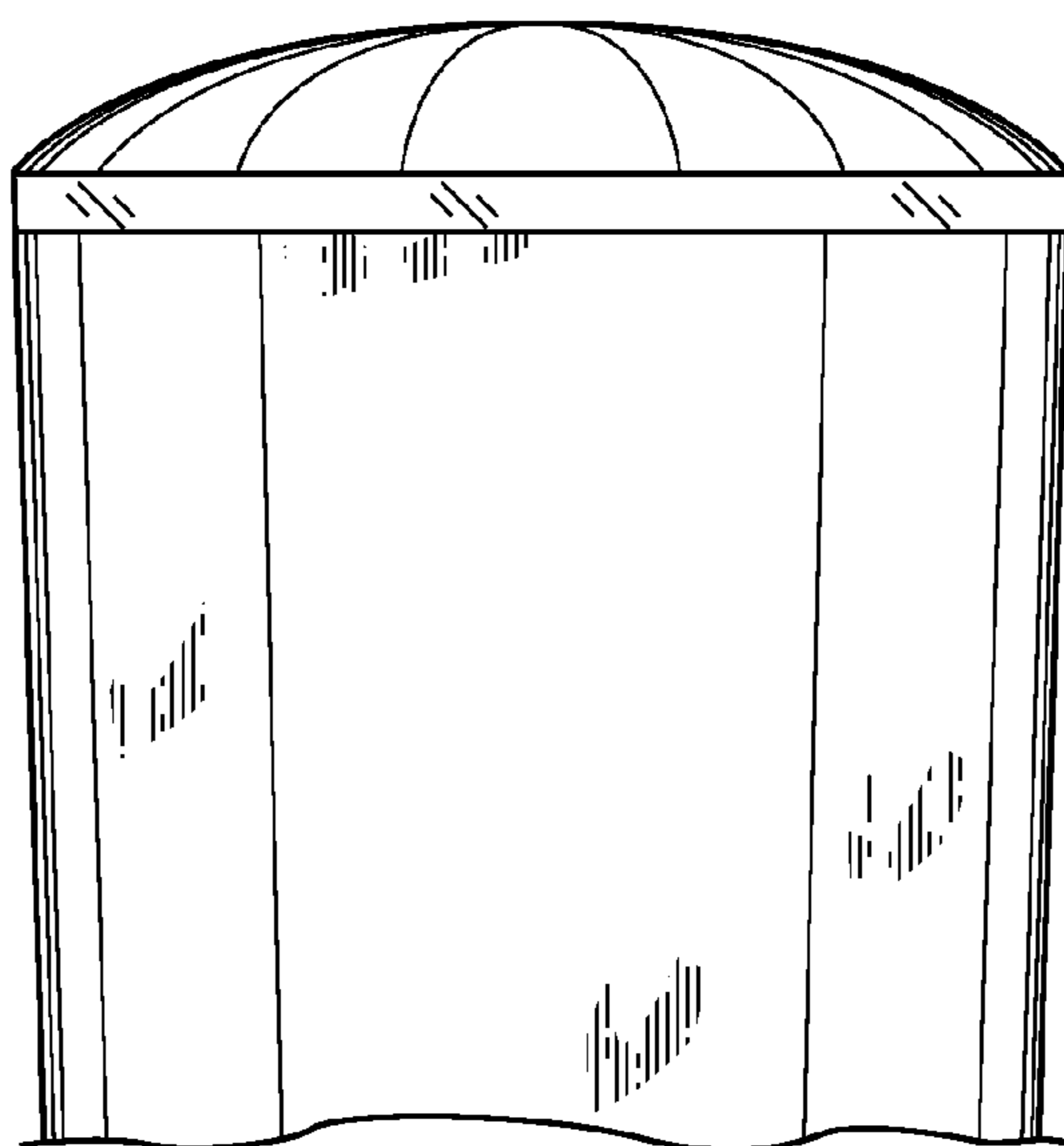


FIG. 5

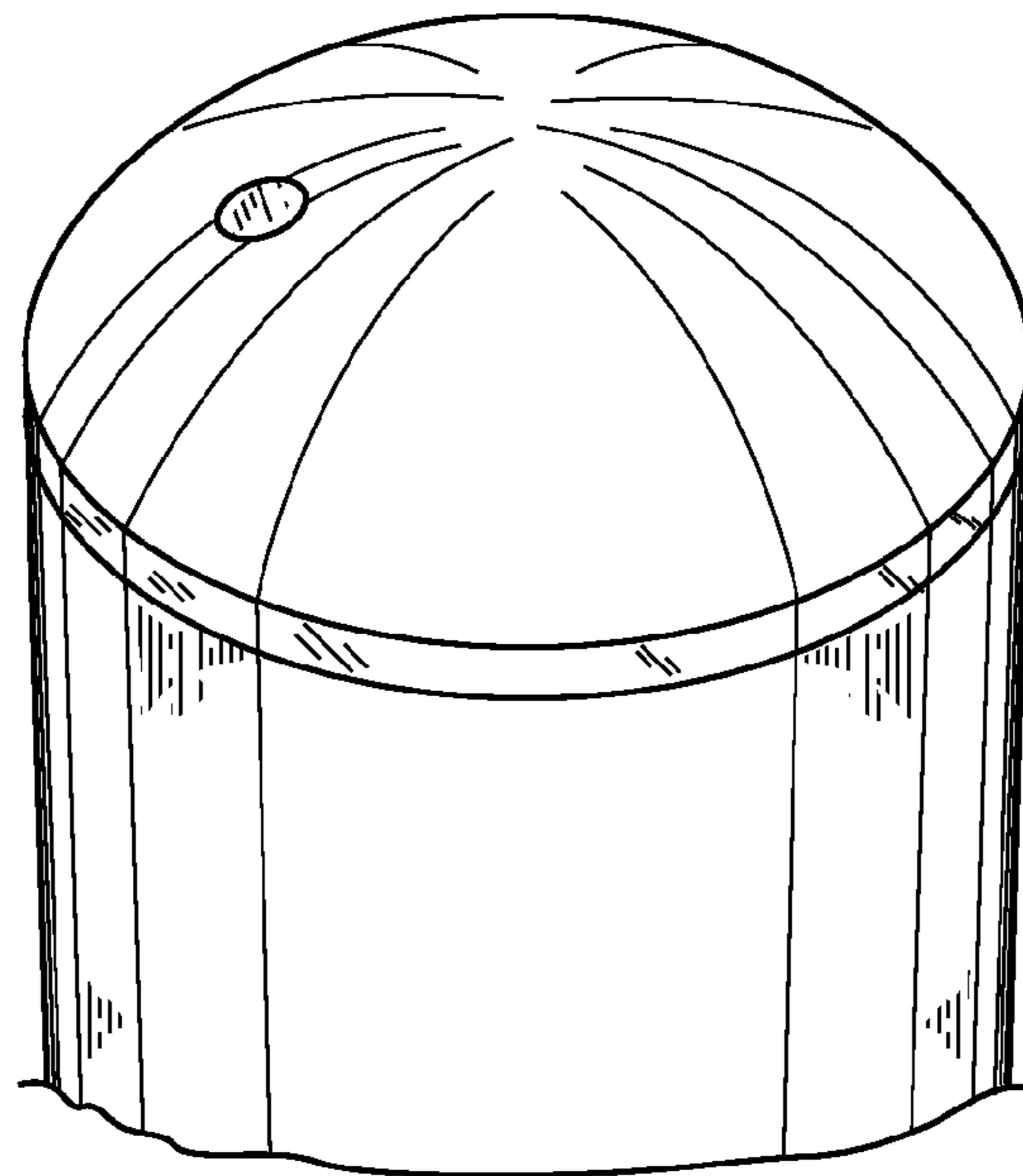


FIG. 6

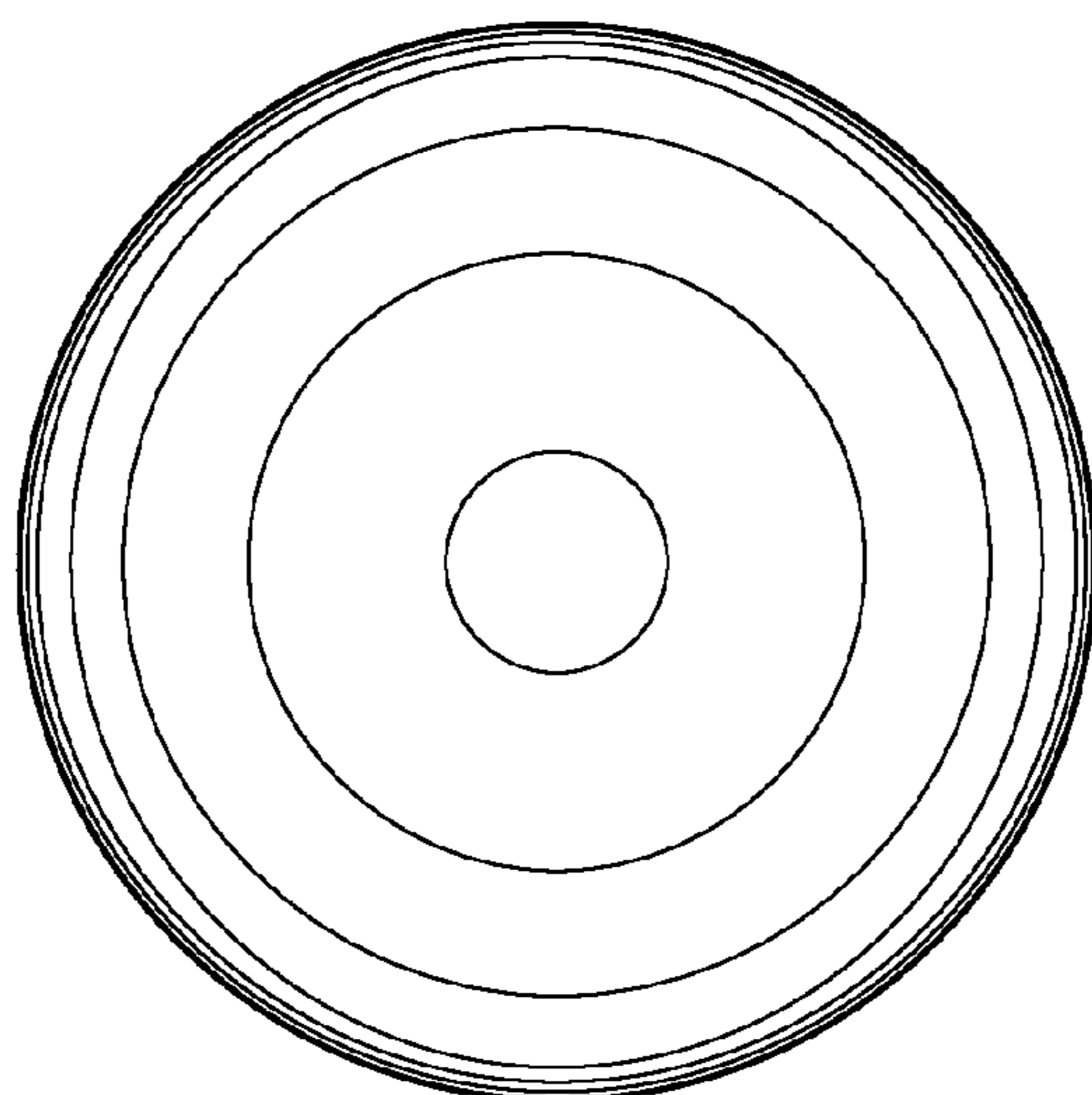


FIG. 7

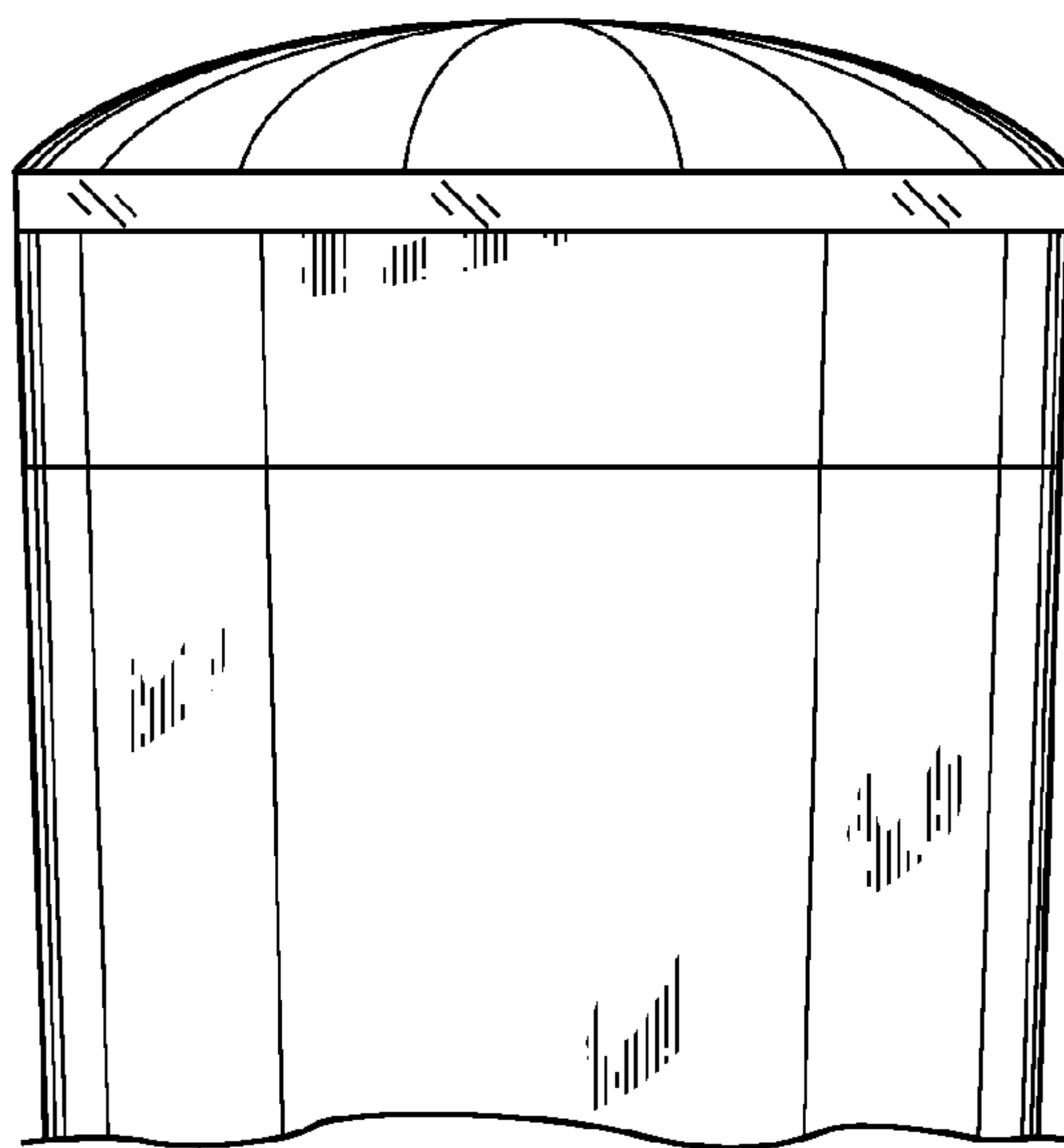


FIG. 8

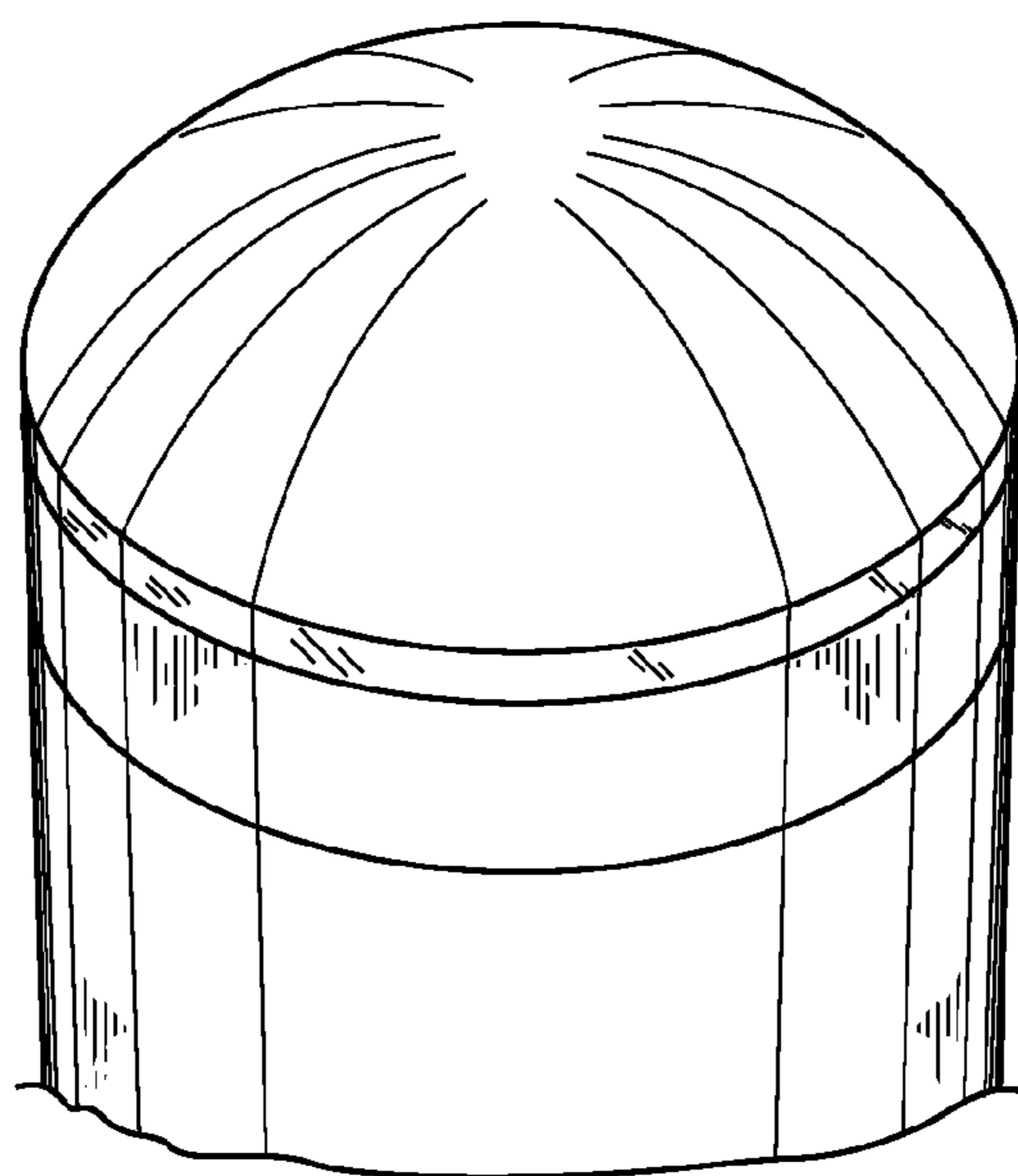


FIG. 9