



US00D664617S

(12) **United States Design Patent**
Serrano

(10) **Patent No.:** **US D664,617 S**
(45) **Date of Patent:** **** Jul. 31, 2012**

(54) **GOLF CLUB HEAD**

(75) Inventor: **Anthony D. Serrano**, Anthem, AZ (US)

(73) Assignee: **Kartsen Manufacturing Corporation**,
Pheonix, AZ (US)

(**) Term: **14 Years**

(21) Appl. No.: **29/413,505**

(22) Filed: **Feb. 16, 2012**

(51) **LOC (9) Cl.** **21-02**

(52) **U.S. Cl.** **D21/743**

(58) **Field of Classification Search** D21/736-746;
473/324-331, 340-341, 251-256

See application file for complete search history.

(56) **References Cited**

U.S. PATENT DOCUMENTS

3,884,477	A	5/1975	Bianco	
4,030,766	A	6/1977	Derr	
D316,129	S	4/1991	Bryson	
5,275,412	A *	1/1994	Innes	473/253
5,685,784	A *	11/1997	Butler	473/340
6,159,108	A	12/2000	De La Pena	
6,379,259	B1	4/2002	Opie	
D488,200	S *	4/2004	Olsavsky et al.	D21/743
D488,526	S	4/2004	Souza	
D500,109	S	12/2004	Solheim	
D500,110	S	12/2004	Solheim	
6,837,801	B1	1/2005	Souza	
6,878,071	B1	4/2005	Schwieger	
6,893,355	B2	5/2005	Souza	
6,902,496	B2	6/2005	Solheim	
D507,612	S	7/2005	Souza	
6,926,615	B1	8/2005	Souza	
6,960,140	B2	11/2005	Solheim	
6,966,845	B2	11/2005	Solheim	

D514,182	S *	1/2006	Olsavsky et al.	D21/743
D520,584	S	5/2006	Karlsen	
D521,582	S	5/2006	Souza	
7,052,411	B2	5/2006	Solheim	
D522,598	S	6/2006	Solheim	
7,077,758	B2	7/2006	Rohrer	
7,086,957	B2	8/2006	Solheim	
D527,777	S	9/2006	Solheim	
D529,108	S	9/2006	Stites	

(Continued)

OTHER PUBLICATIONS

Stina Sternberg and Ashley Mayo, "2008 Spring Equipment Preview," Golf for Women, May-Jun. 2008 at 114.

(Continued)

Primary Examiner — Mitchell Siegel

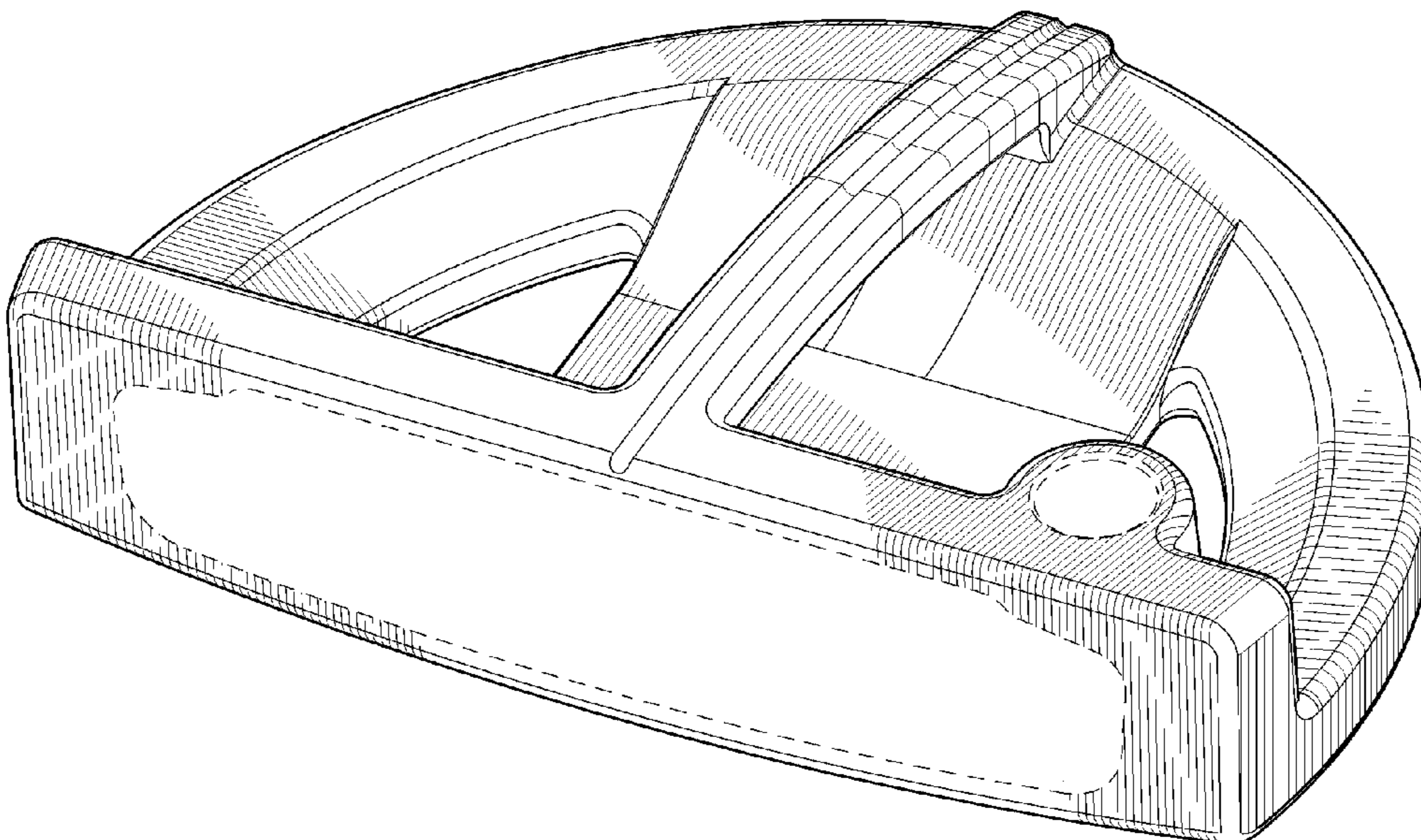
(57) **CLAIM**

The ornamental design for a golf club head, as shown and described.

DESCRIPTION

FIG. 1 is a top perspective view of a golf club head; FIG. 2 is a bottom perspective view of the golf club head of FIG. 1; FIG. 3 is a front view of the golf club head of FIG. 1; FIG. 4 is a rear view of the golf club head of FIG. 1; FIG. 5 is a top view of the golf club head of FIG. 1; FIG. 6 is a bottom view of the golf club head of FIG. 1; FIG. 7 is a left view of the golf club head of FIG. 1; and, FIG. 8 is a right view of the golf club head of FIG. 1. The broken lines shown in one or more of the figures are for illustrative purposes only and form no part of the claimed design.

1 Claim, 4 Drawing Sheets



US D664,617 S

Page 2

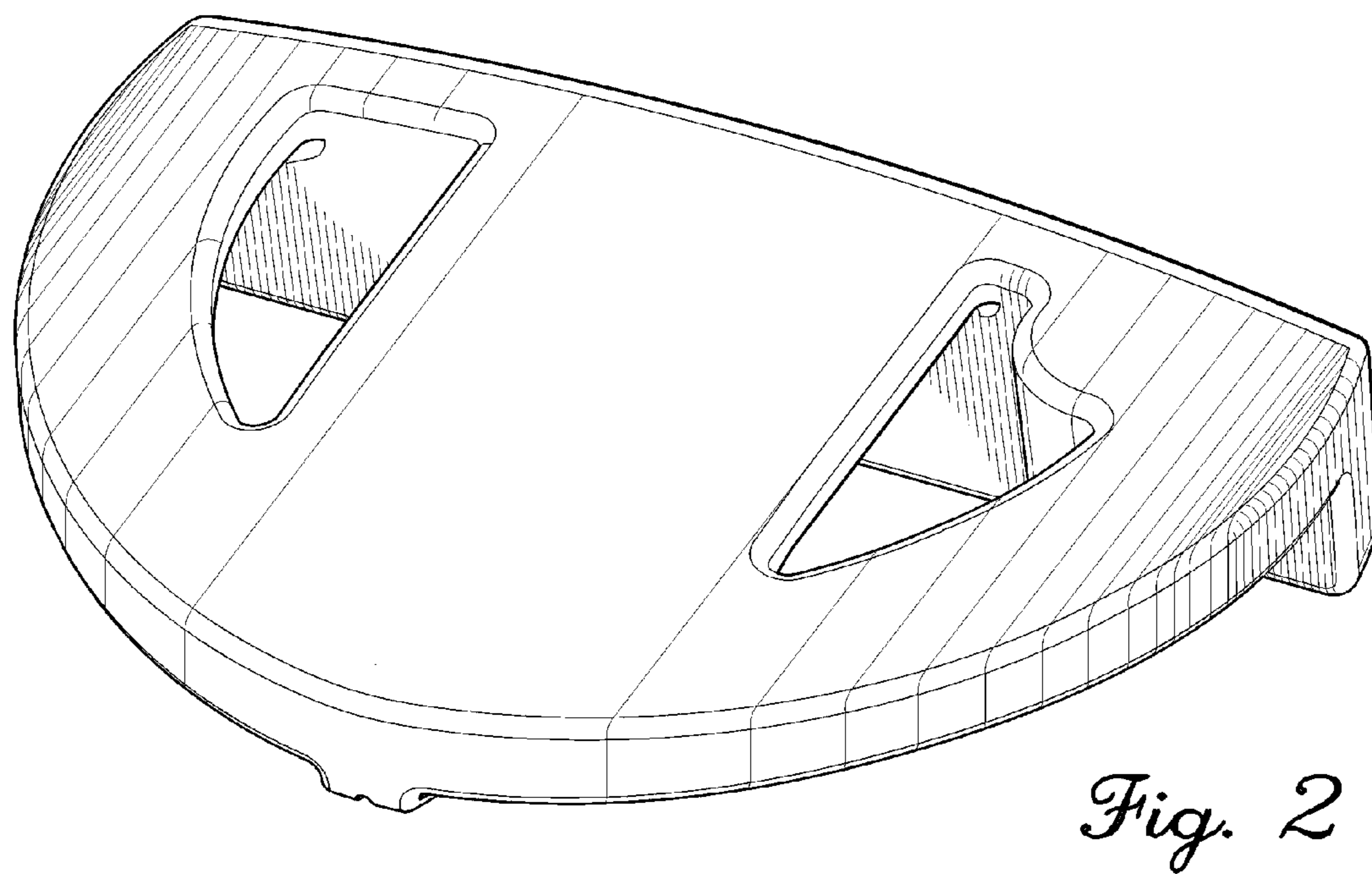
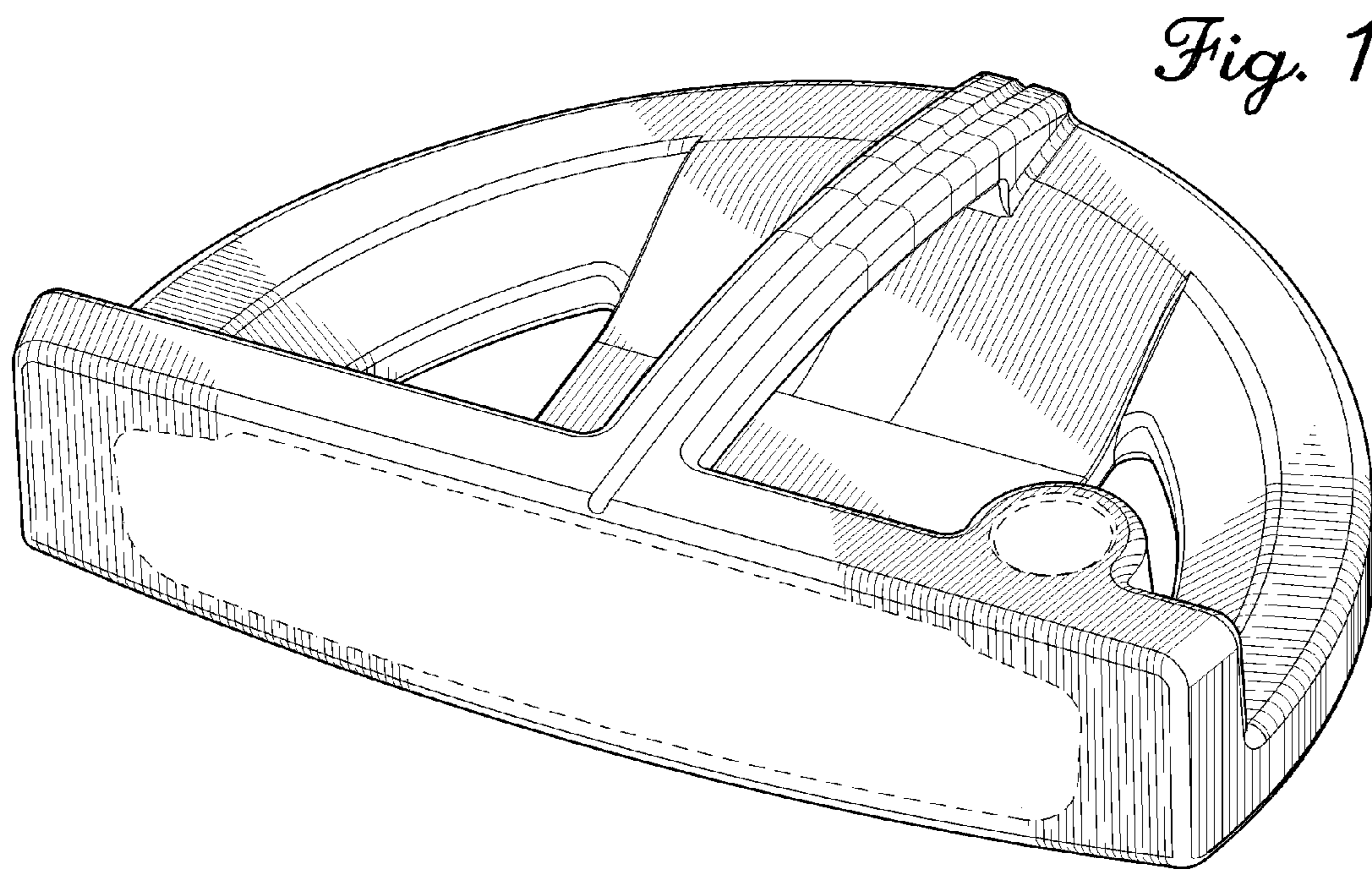
U.S. PATENT DOCUMENTS

D532,847 S *	11/2006	Rollinson	D21/736	D623,710 S *	9/2010	Hilton et al.	D21/743
D533,243 S	12/2006	Fife, Jr.			7,803,066 B2	9/2010	Solheim		
7,235,021 B2	6/2007	Solheim			7,815,520 B2 *	10/2010	Frame et al.	473/329
D548,295 S	8/2007	Jertson			D638,891 S	5/2011	Nicolette		
7,255,650 B2	8/2007	Bryant			D640,341 S *	6/2011	Foster et al.	D21/742
D552,197 S	10/2007	Wells			D643,080 S	8/2011	Serrano		
D557,361 S *	12/2007	Rollinson	D21/743	D643,485 S	8/2011	Nicolette		
D565,137 S	3/2008	Oldknow			D643,486 S	8/2011	Serrano		
D575,366 S *	8/2008	Rollinson	D21/744	D643,487 S	8/2011	Serrano		
D581,473 S	11/2008	Thomas			8,100,779 B2	1/2012	Solheim		
D583,003 S	12/2008	Solheim			D653,718 S	2/2012	Stokke		
D587,325 S	2/2009	Solheim			8,109,838 B2	2/2012	Solheim		
D591,806 S *	5/2009	Cameron	D21/743	2005/0170904 A1	8/2005	Smeeth		
D595,372 S *	6/2009	Rollinson	D21/736	2006/0094533 A1	5/2006	Warren		
D595,793 S *	7/2009	Rollinson	D21/736	2006/0166755 A1	7/2006	Brown		
D600,760 S	9/2009	Serrano			2007/0191135 A1	8/2007	Nilsson		
D600,761 S	9/2009	Solheim			2010/0227704 A1	9/2010	Souza		
D600,762 S	9/2009	Serrano							
D607,950 S	1/2010	Souza							
D621,458 S	8/2010	Serrano							
D621,460 S	8/2010	Serrano							
D621,461 S	8/2010	Serrano							
D621,462 S	8/2010	Serrano							
D621,891 S	8/2010	Serrano							

OTHER PUBLICATIONS

Stine Sternberg, "Hot List 2008-Putters," Golf Digest Feb. 2008 at 158-169 also available at: <http://www.golfdigest.com/equipment/ratings>.

* cited by examiner



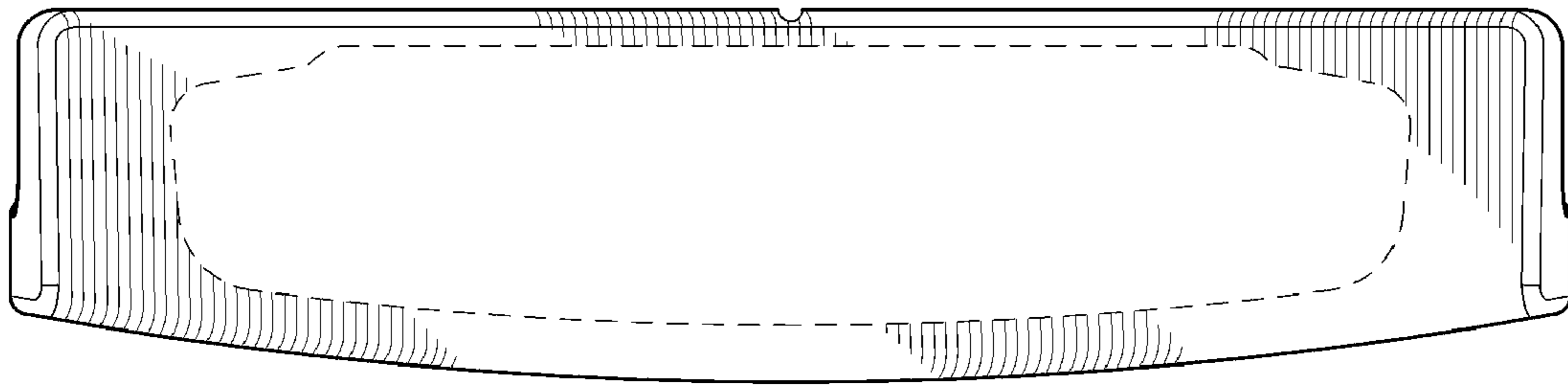


Fig. 3

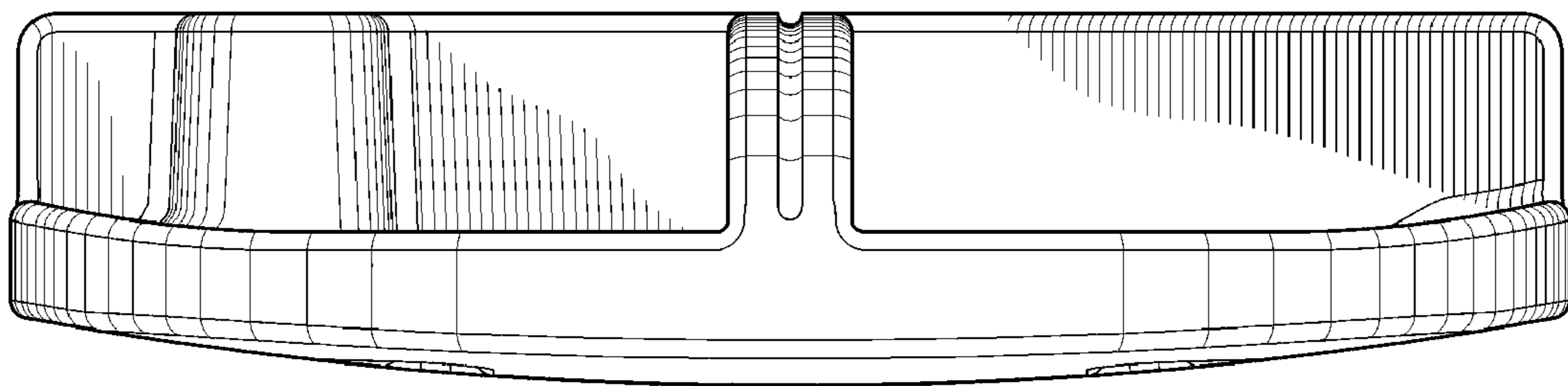


Fig. 4

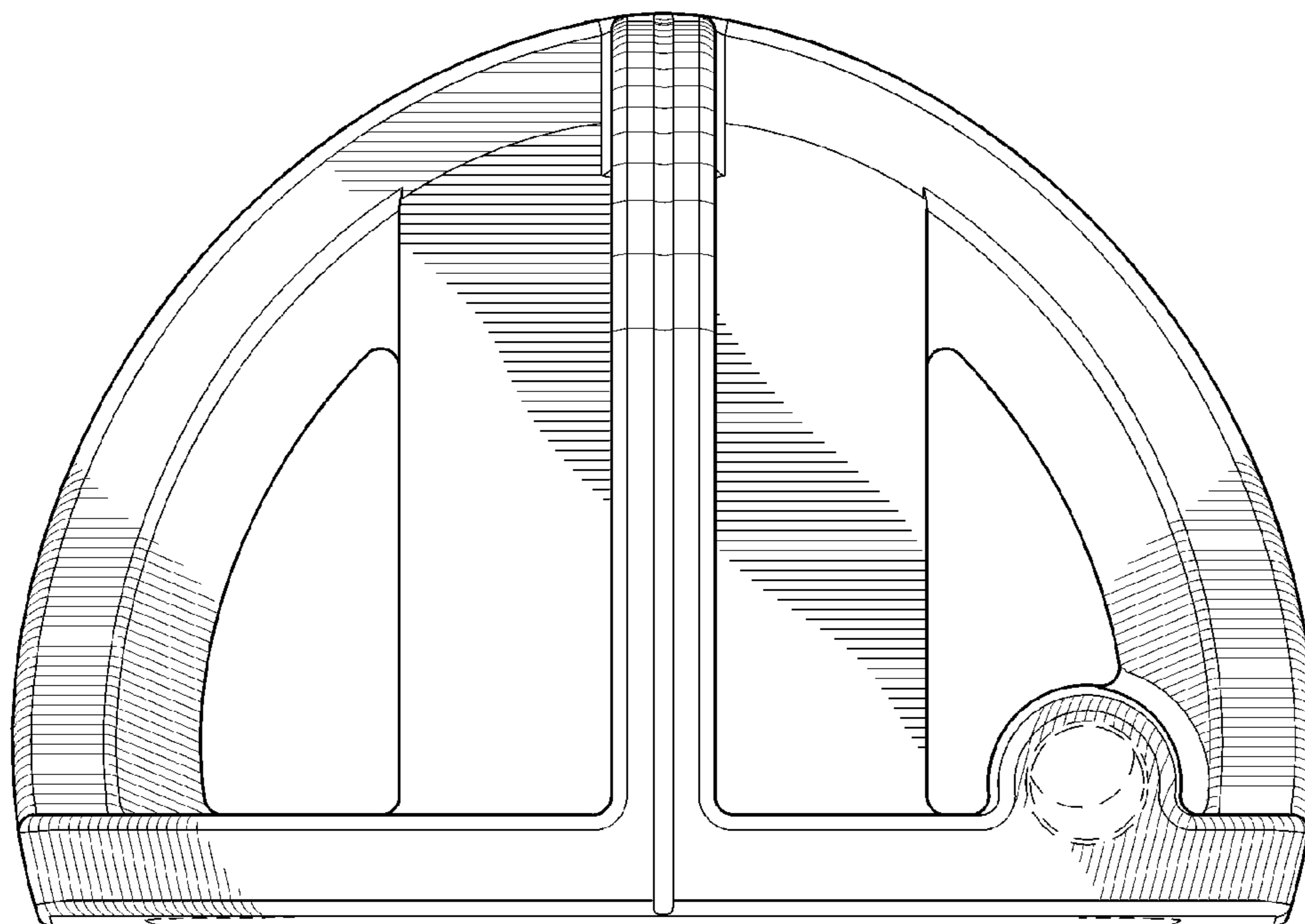


Fig. 5

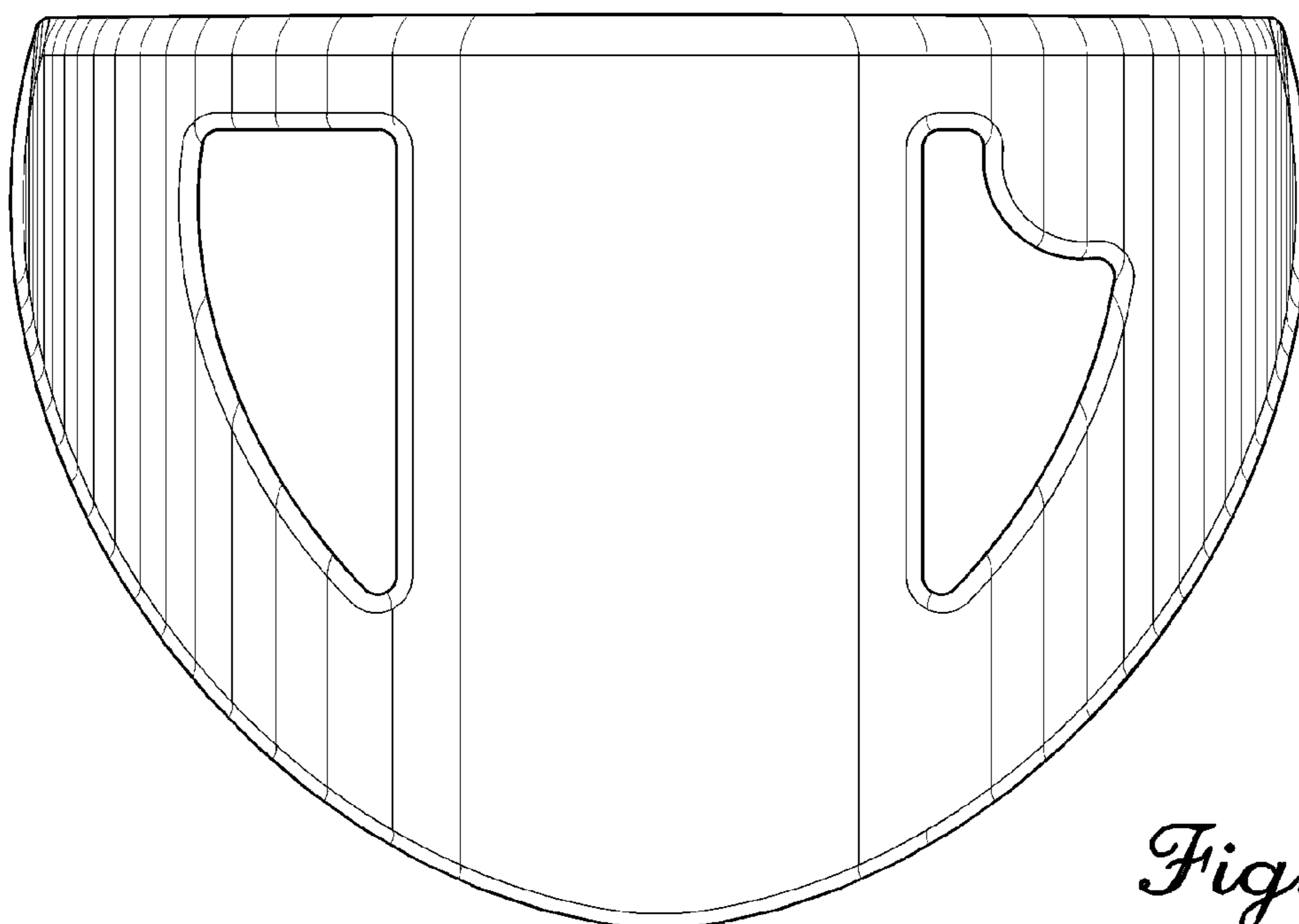


Fig. 6

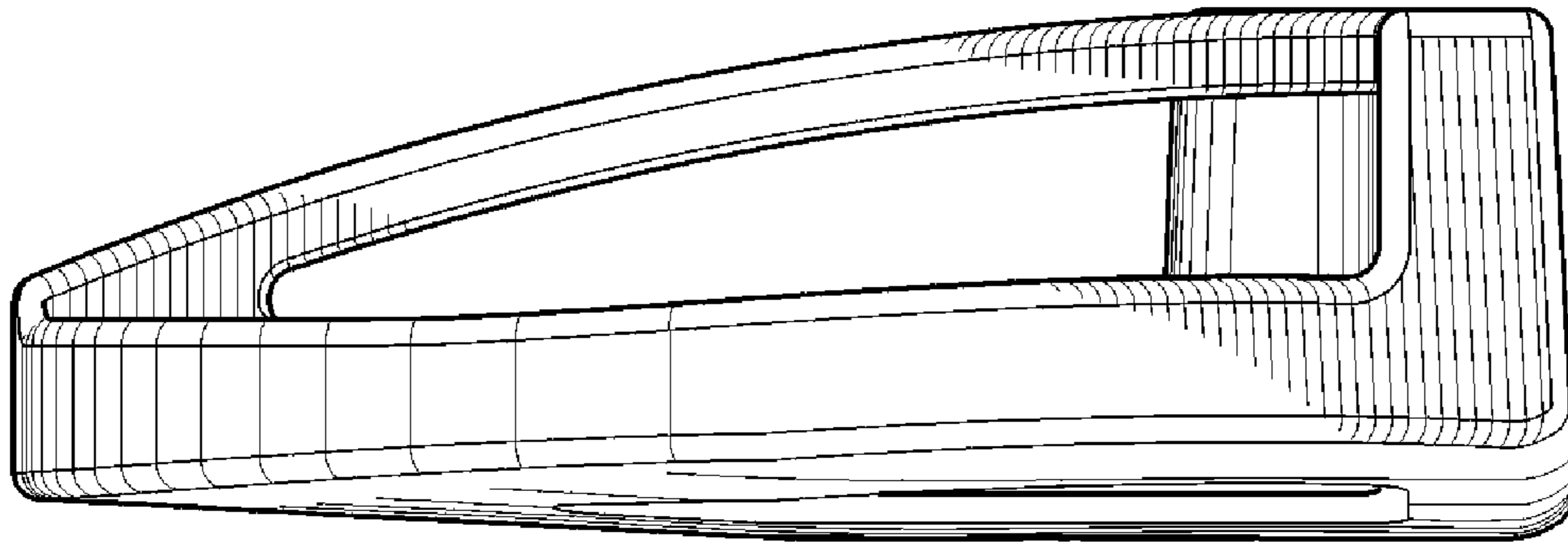


Fig. 7

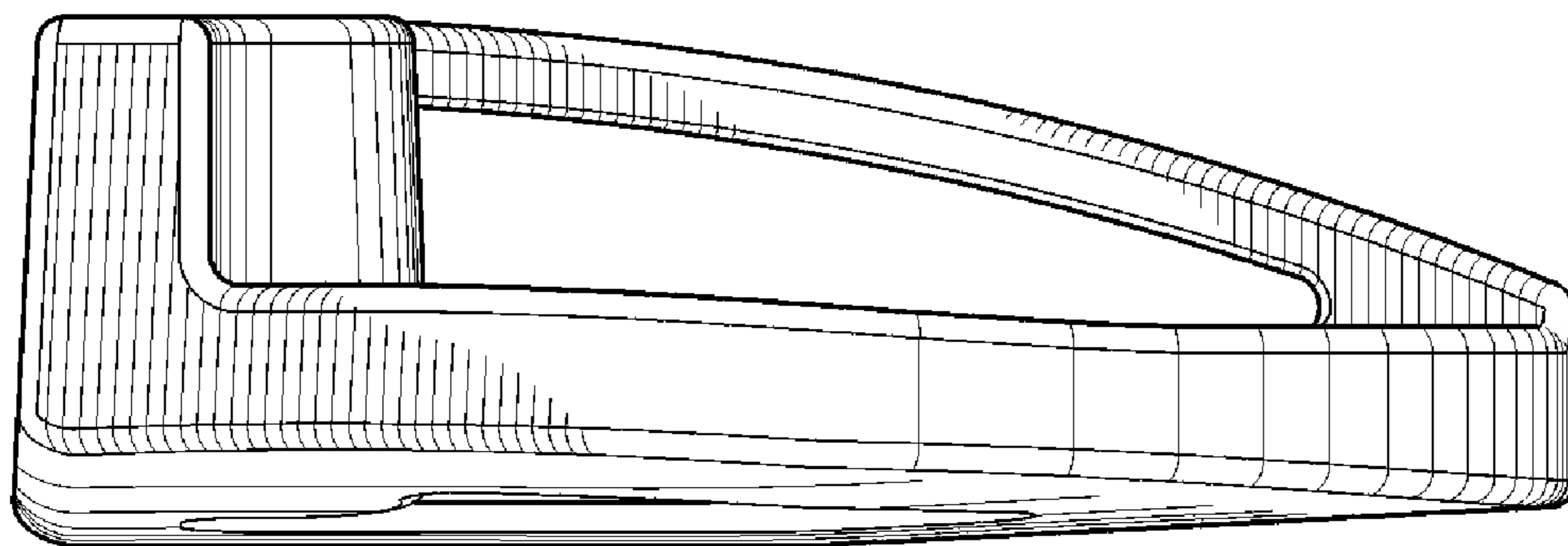


Fig. 8