



US00D664615S

(12) **United States Design Patent**
Chuang

(10) **Patent No.:** **US D664,615 S**

(45) **Date of Patent:** **** Jul. 31, 2012**

(54) **BODY BUILDING DEVICE**

(75) **Inventor:** **Lung-Fei Chuang**, Taichung (TW)

(73) **Assignee:** **Lung-Fei Chuang**, Taichung (TW)

(**) **Term:** **14 Years**

(21) **Appl. No.:** **29/406,367**

(22) **Filed:** **Nov. 14, 2011**

(51) **LOC (9) Cl.** **21-02**

(52) **U.S. Cl.** **D21/690; D21/687**

(58) **Field of Classification Search** D21/662,
D21/676, 686-690, 694; 482/51-52, 92,
482/96, 99, 100, 140, 142, 145

See application file for complete search history.

(56) **References Cited**

U.S. PATENT DOCUMENTS

D271,603	S *	11/1983	Berner	D21/676
5,190,513	A *	3/1993	Habing et al.	482/145
5,256,126	A *	10/1993	Grotstein	482/142
D346,189	S *	4/1994	Chen	D21/690
5,300,005	A *	4/1994	Wang	482/142
D366,917	S *	2/1996	Clem	D21/690
D370,506	S *	6/1996	Clem	D21/687
5,573,485	A *	11/1996	Geschwender	482/112
D424,142	S *	5/2000	McBride et al.	D21/690
6,123,653	A *	9/2000	Huang	482/142
6,231,489	B1 *	5/2001	McBride et al.	482/142
6,387,024	B1 *	5/2002	Monti et al.	482/142

6,544,154	B2 *	4/2003	Forcillo	482/142
6,634,996	B2 *	10/2003	Jacobsen	482/96
7,125,366	B1 *	10/2006	Yeh	482/140
7,381,171	B2 *	6/2008	Chen	482/140
D582,494	S *	12/2008	Elnekaveh	D21/687
7,731,639	B1 *	6/2010	Shifferaw	482/92
D647,153	S *	10/2011	Mishan et al.	D21/687

* cited by examiner

Primary Examiner — Susan E Krakower

(74) *Attorney, Agent, or Firm* — CKC & Partners Co., Ltd.

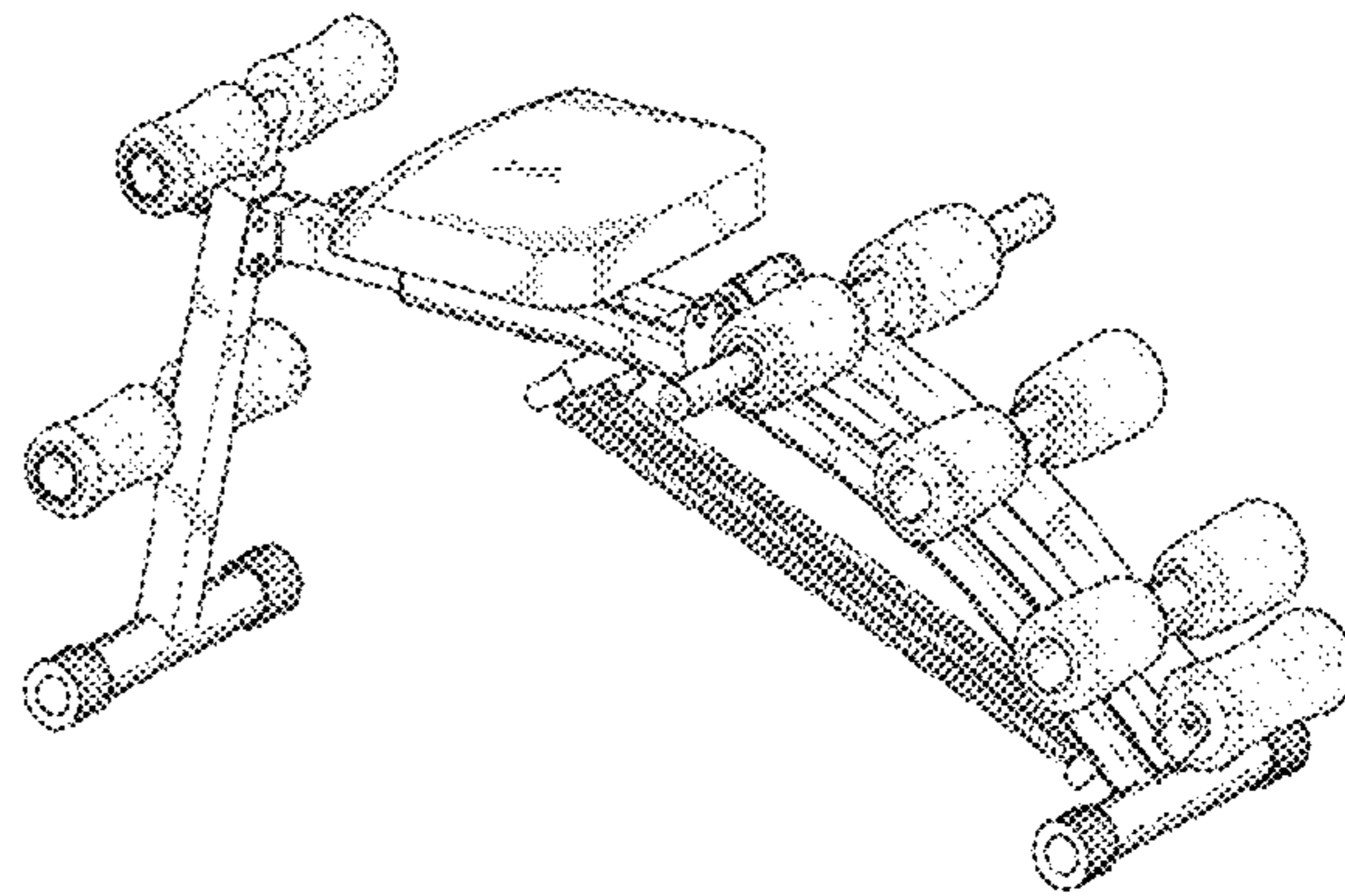
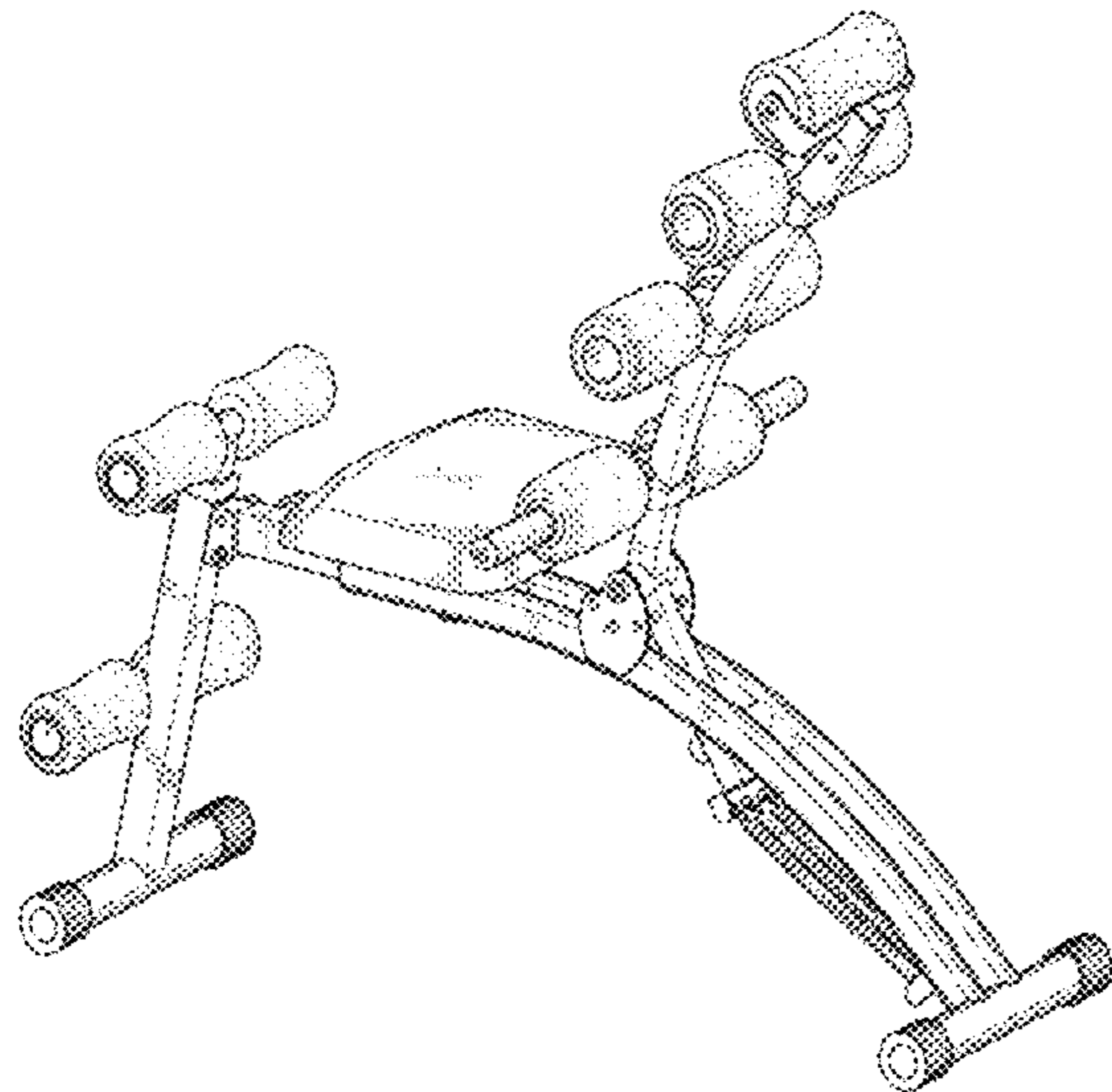
(57) **CLAIM**

The ornamental design for a body building device, as shown and described.

DESCRIPTION

FIG. 1 is a front perspective view of the body building device showing my new design;
 FIG. 2 is a front view thereof;
 FIG. 3 is a rear view thereof;
 FIG. 4 is a left side view thereof;
 FIG. 5 is a right side view thereof;
 FIG. 6 is a top view thereof;
 FIG. 7 is a bottom view thereof;
 FIG. 8 is a bottom perspective view thereof; and,
 FIG. 9 is a perspective view thereof, with the seatback in an alternate position.

1 Claim, 8 Drawing Sheets



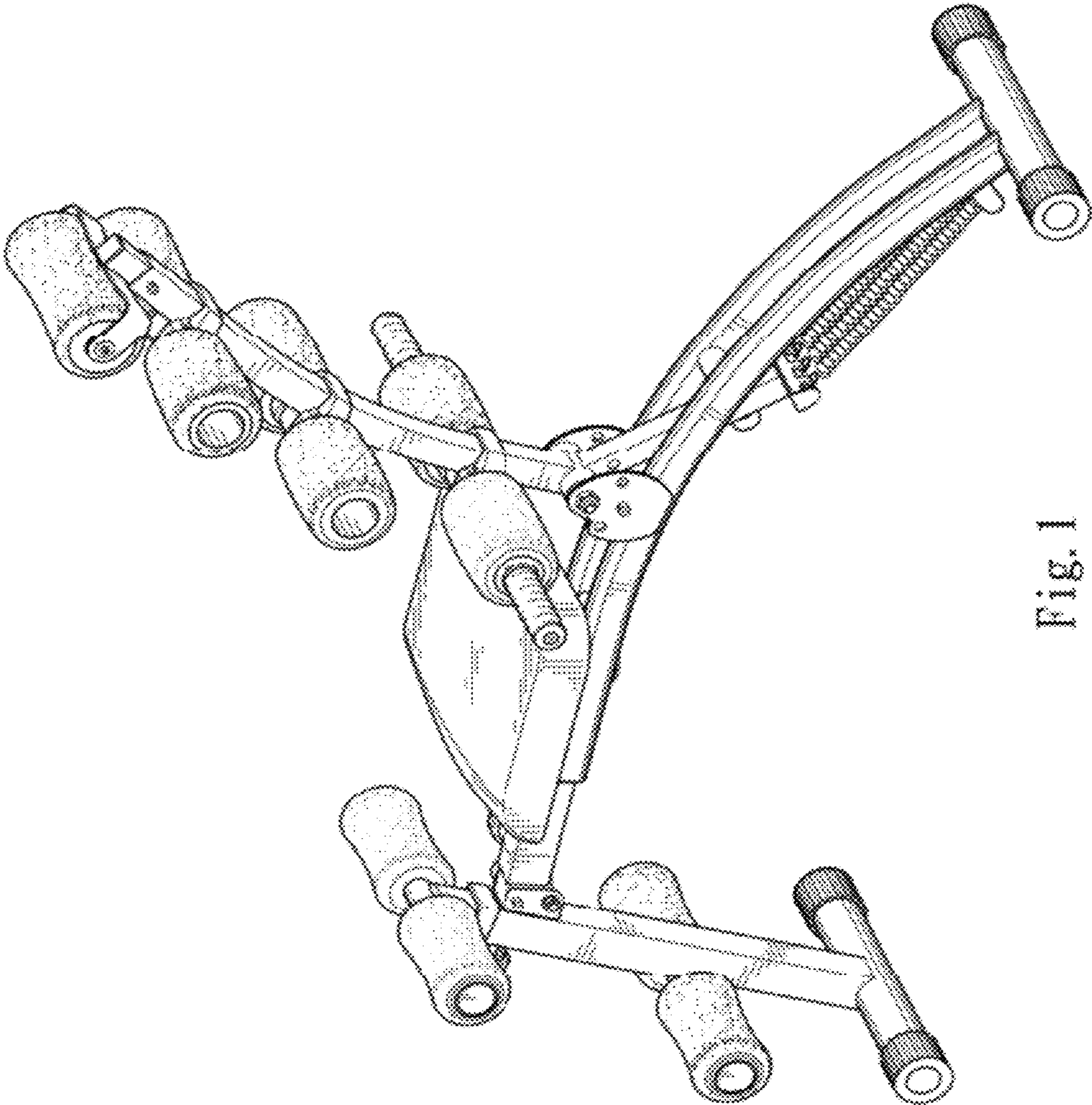


Fig. 1

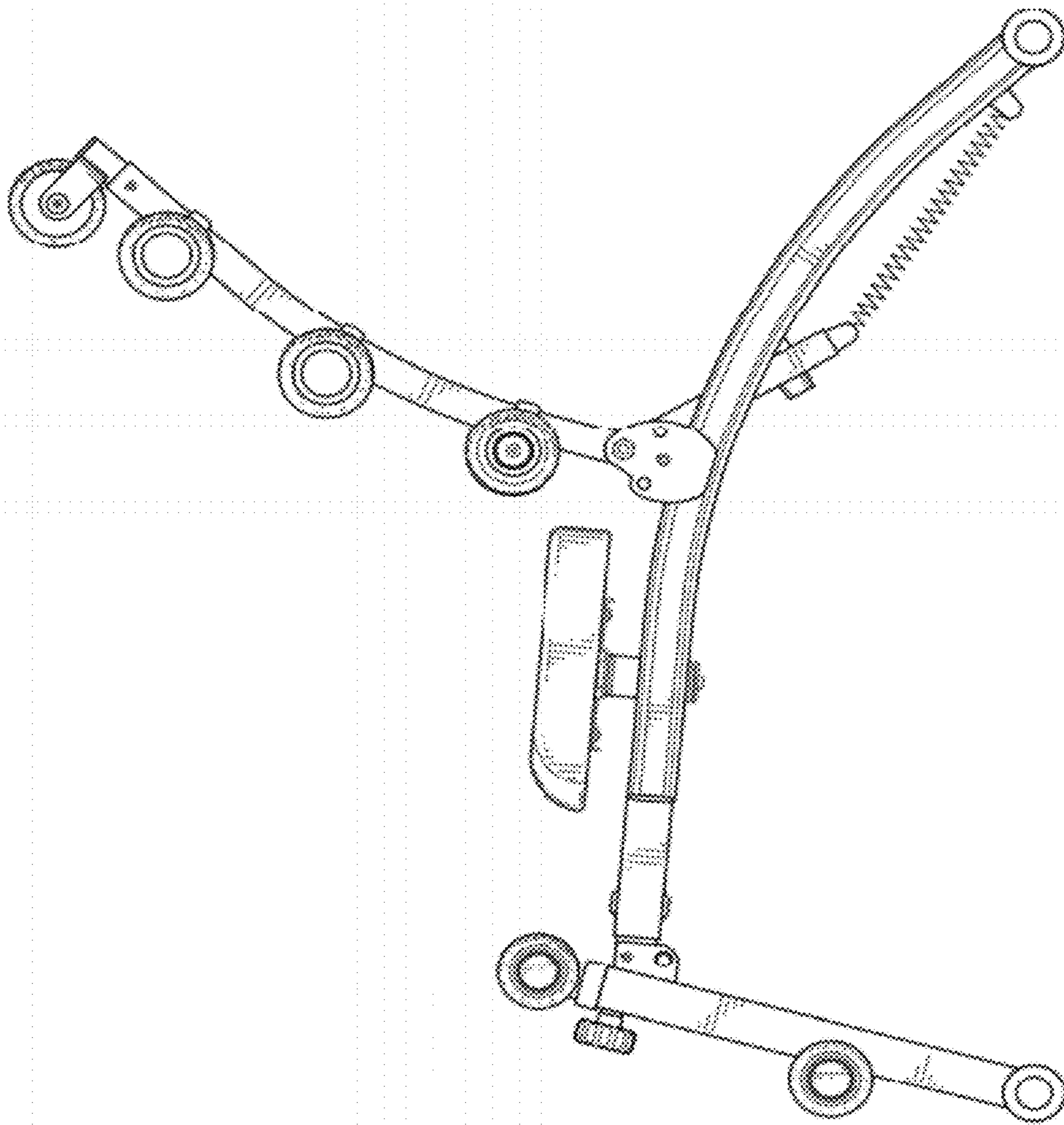


Fig. 2

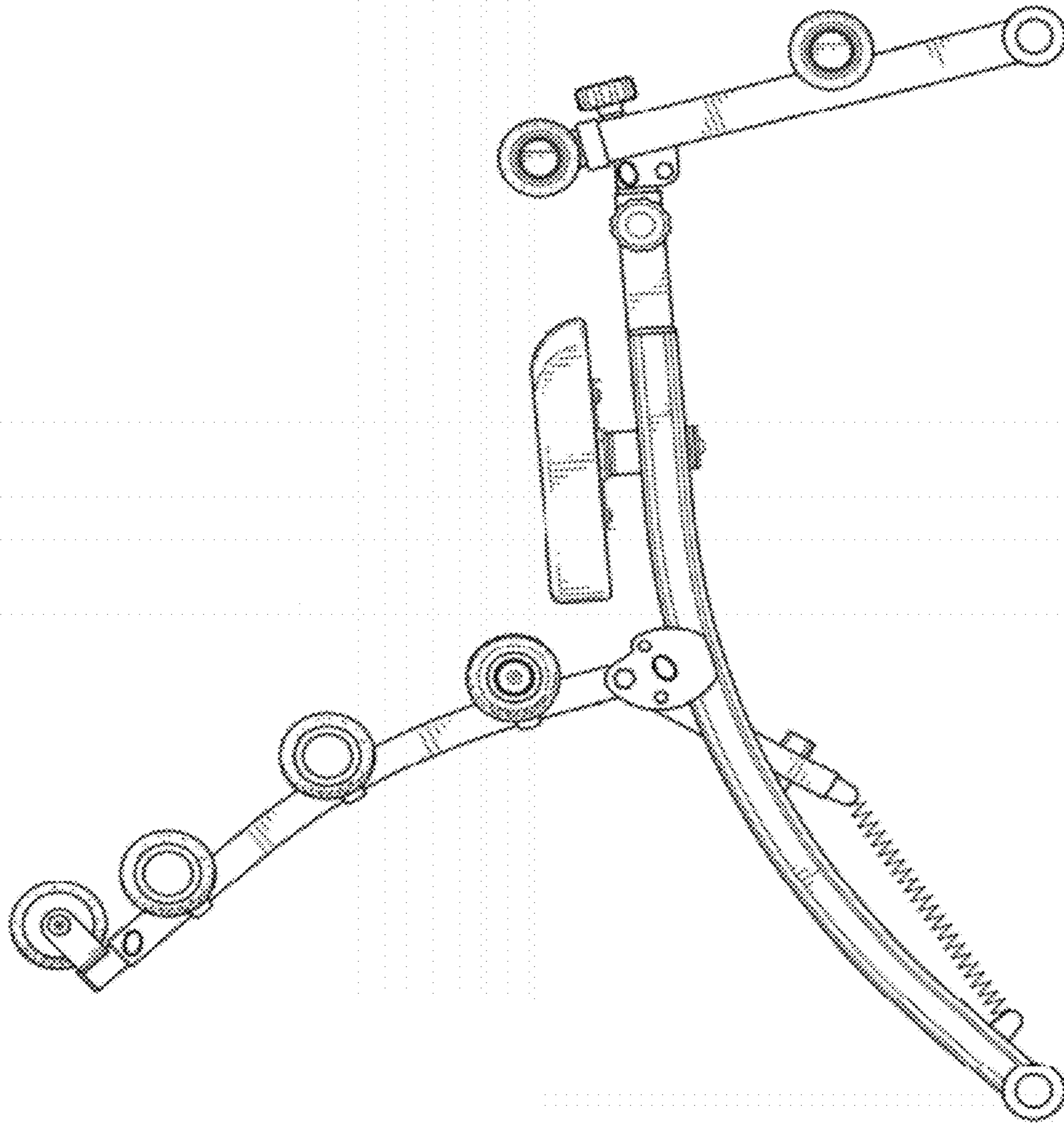


Fig. 3

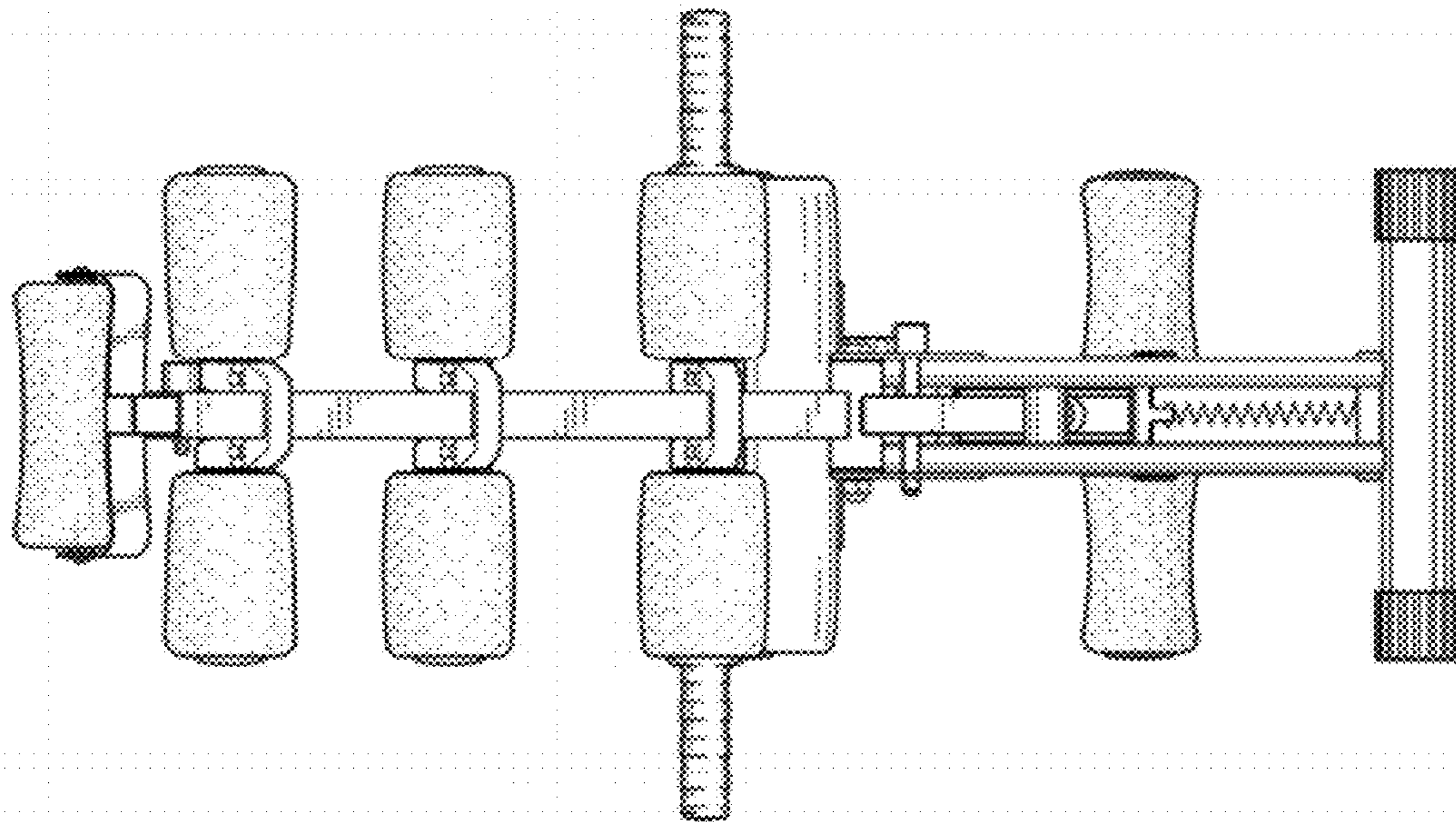


Fig. 5

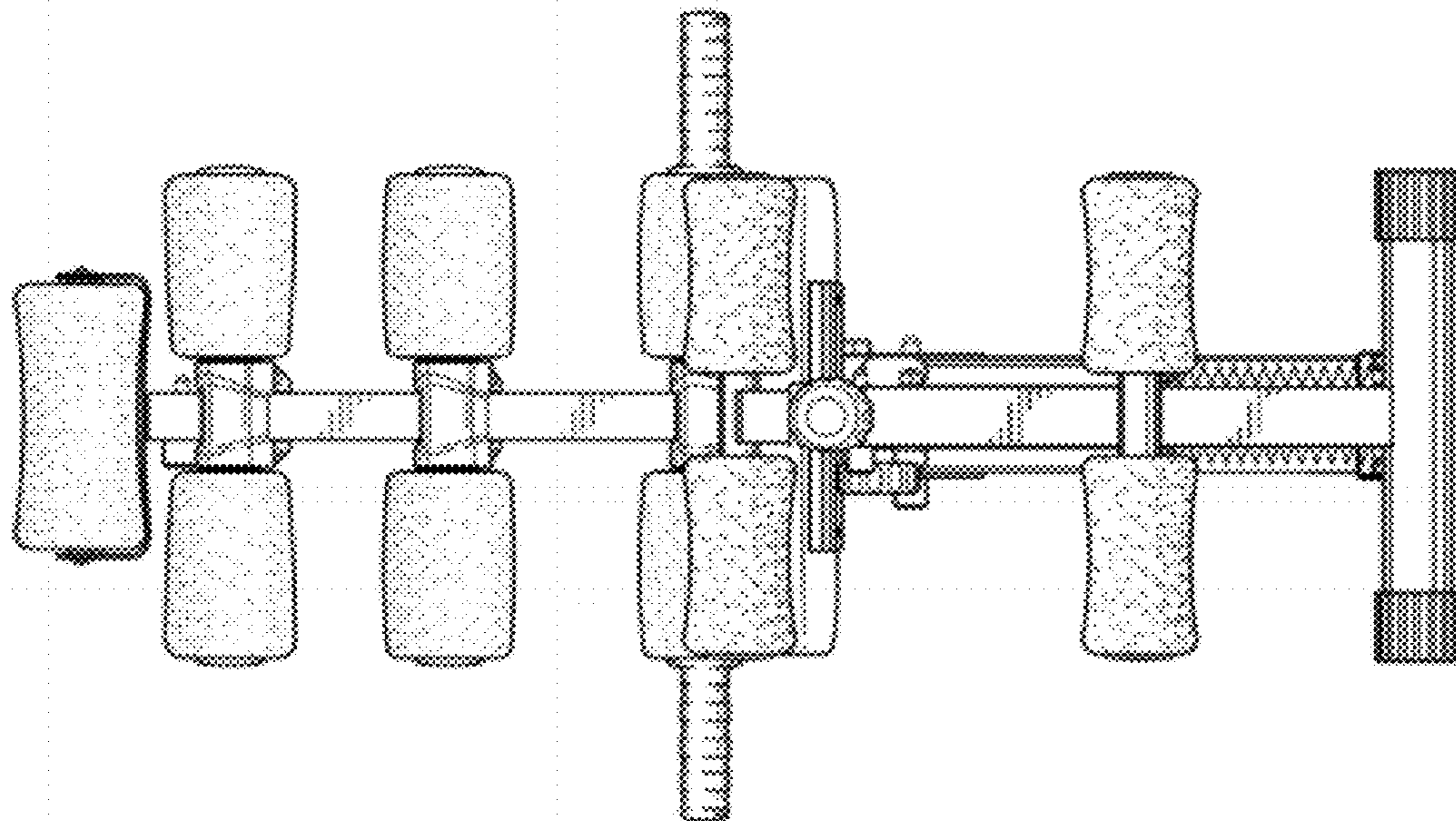


Fig. 4

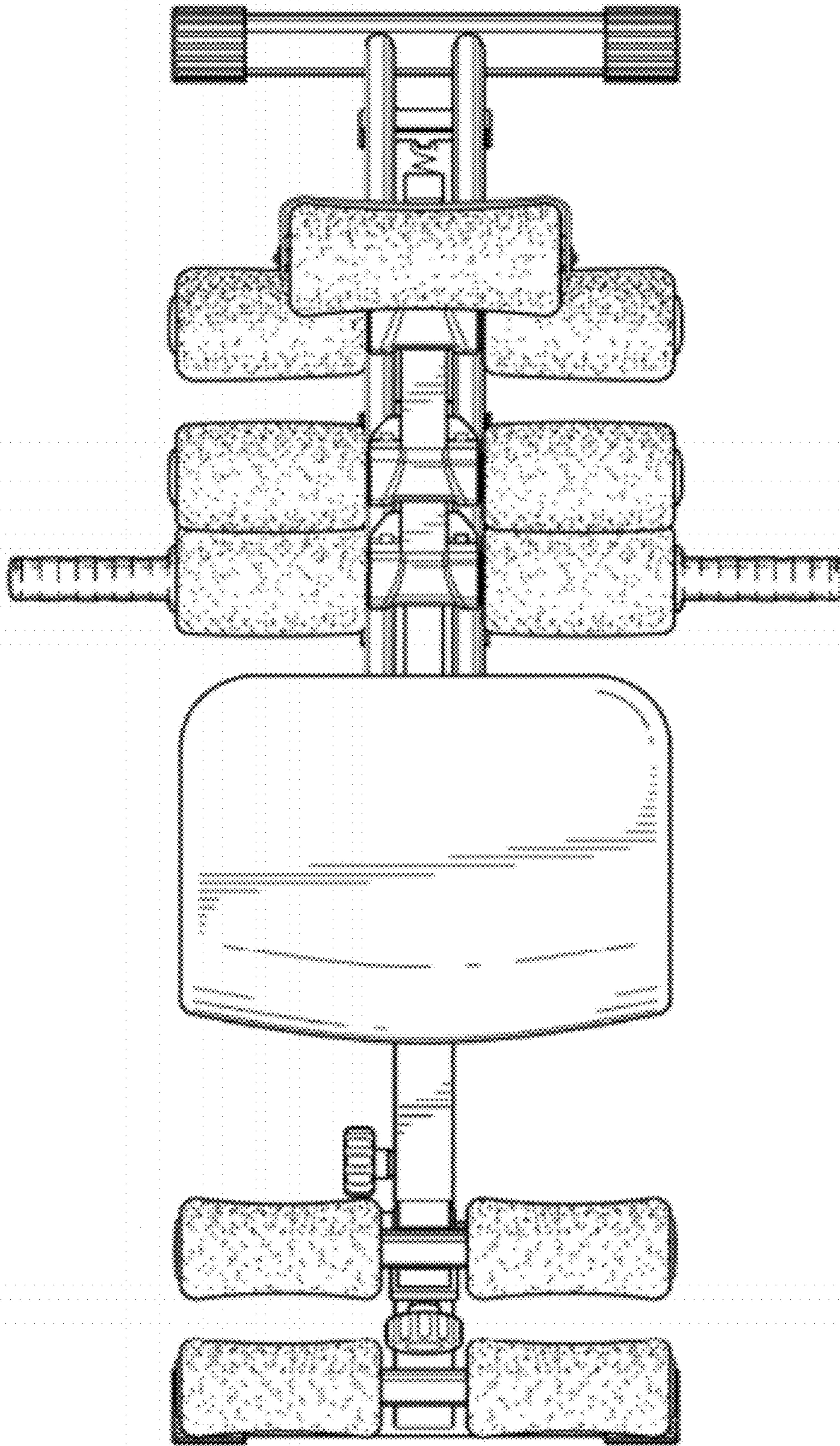


Fig. 6

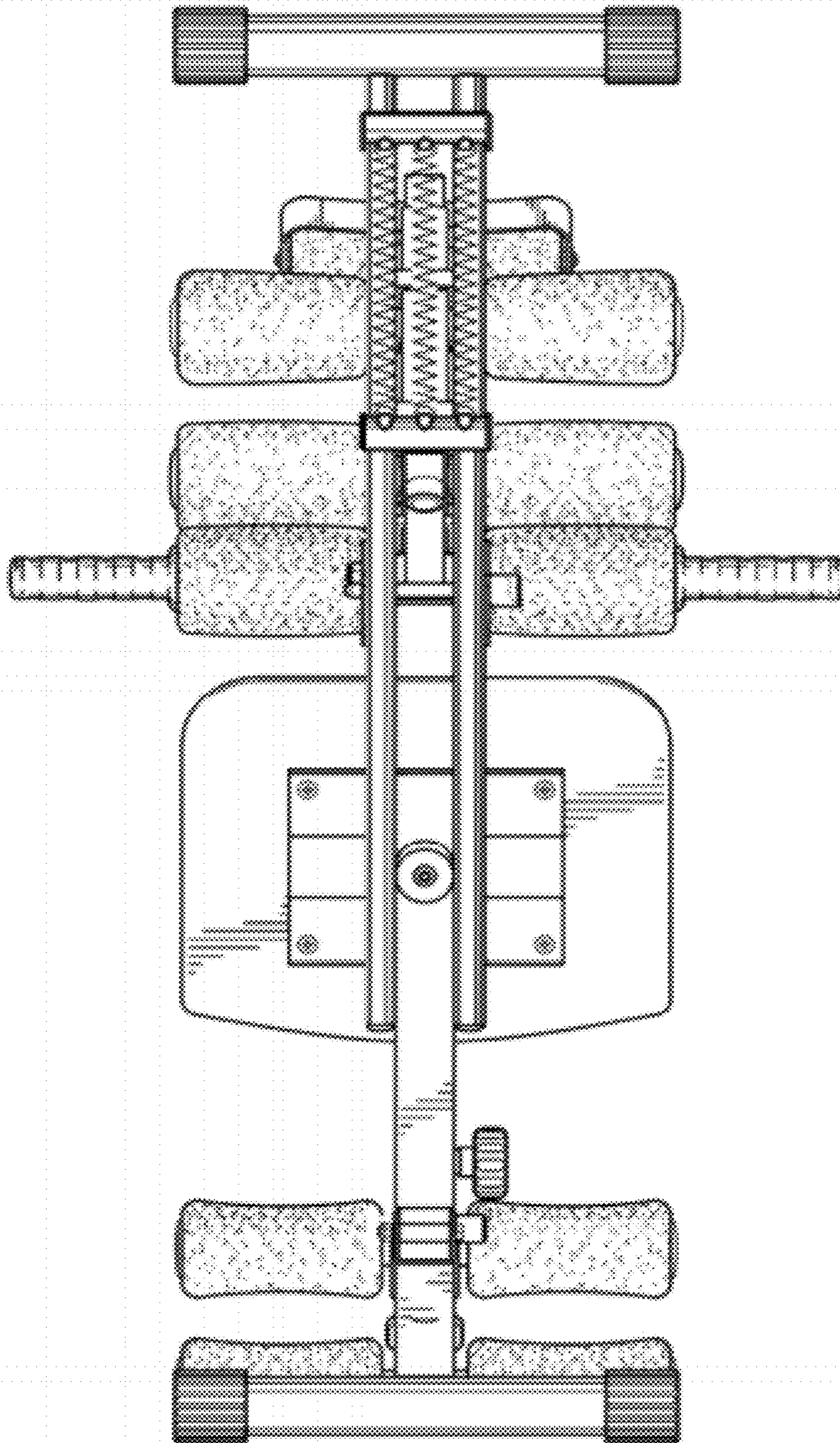


Fig. 7

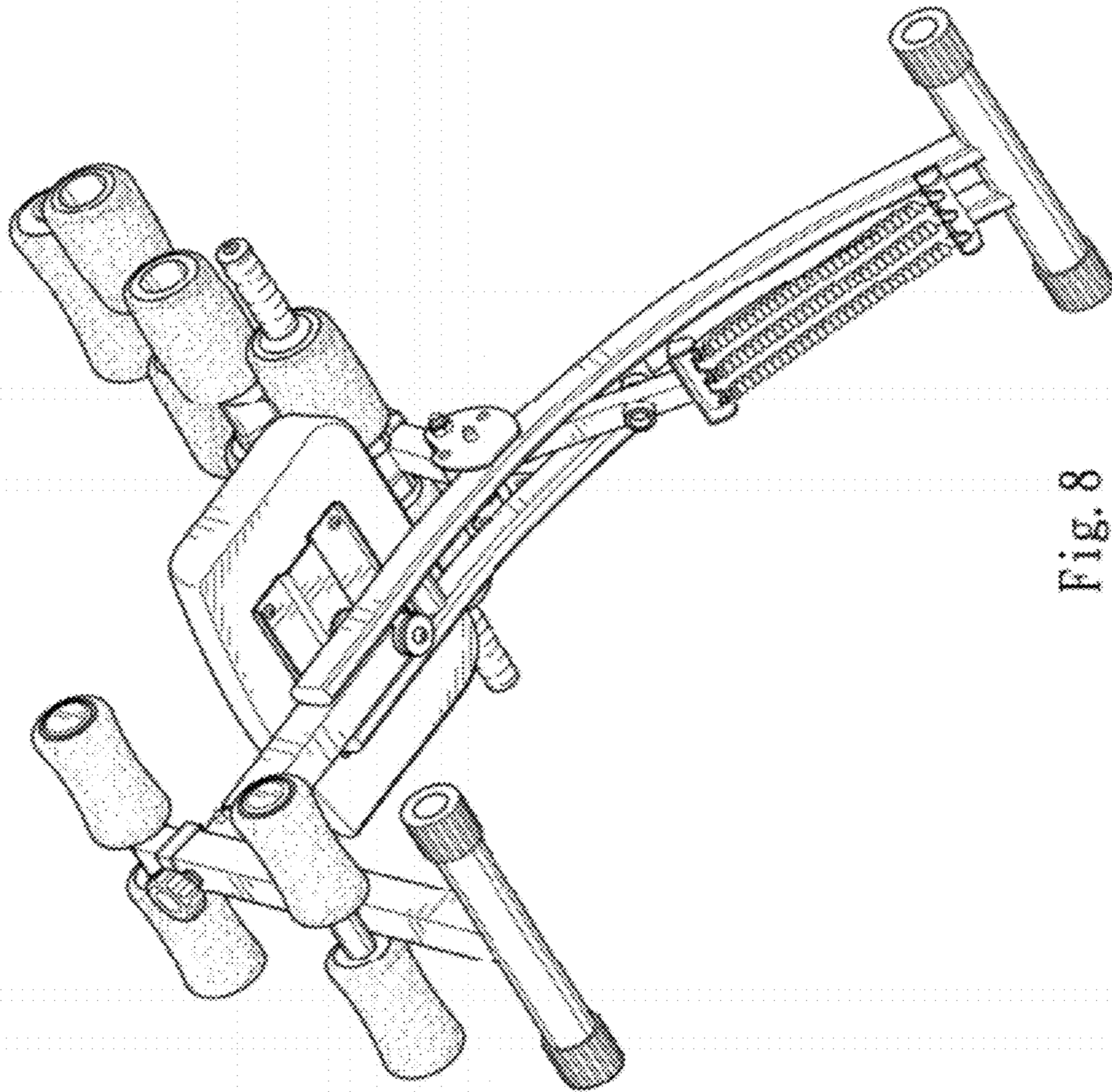


Fig. 8

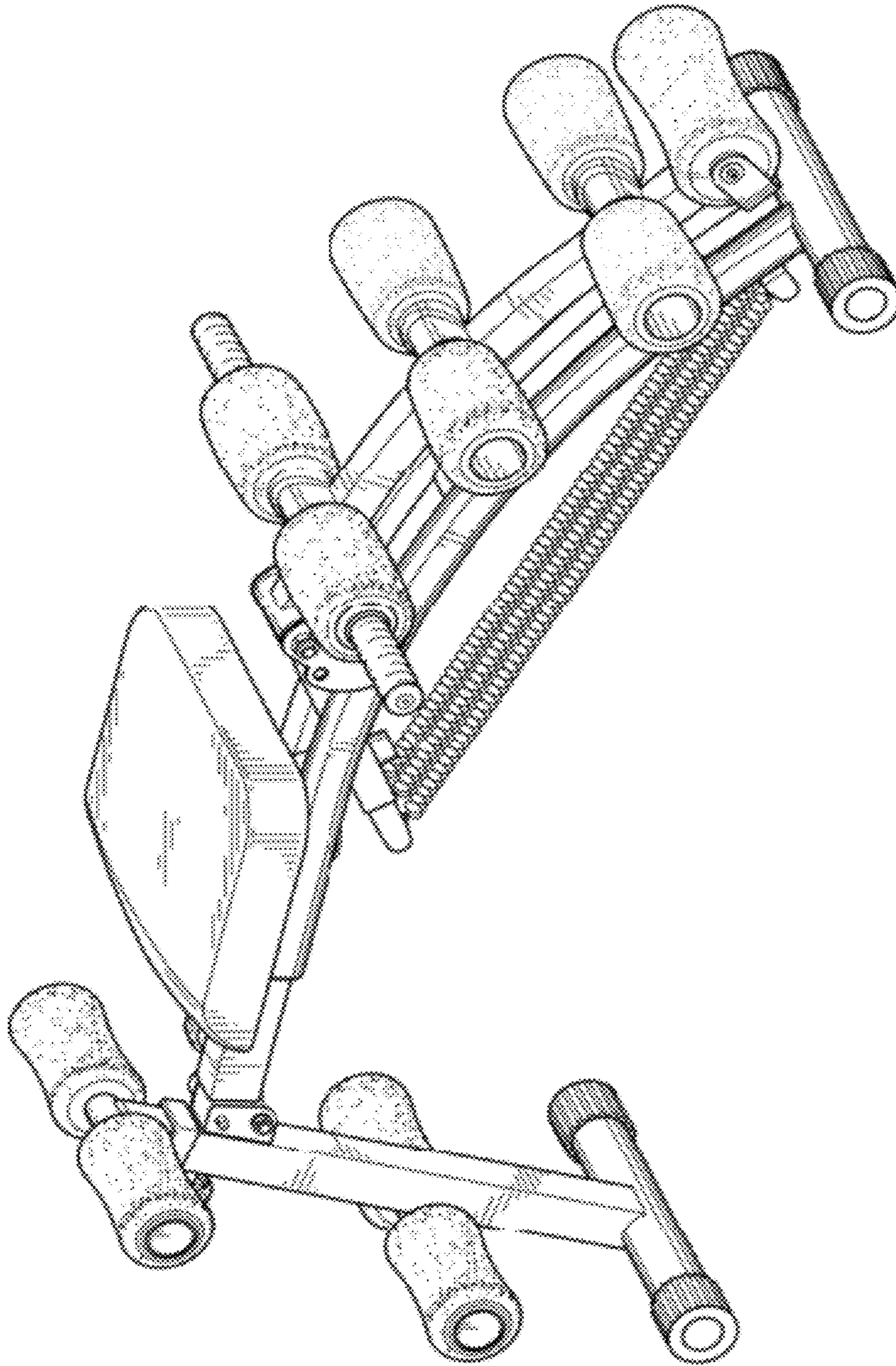


Fig. 9