

US00D664614S

(12) **United States Design Patent**  
**Pou et al.**

(10) **Patent No.:** **US D664,614 S**  
(45) **Date of Patent:** **\*\* Jul. 31, 2012**

(54) **WEIGHTED EXERCISE PANTS**

FOREIGN PATENT DOCUMENTS

(76) Inventors: **George Pou**, Houston, TX (US); **Julie Pou**, Houston, TX (US)

JP 10305112 11/1998  
(Continued)

(\*\*) Term: **14 Years**

OTHER PUBLICATIONS

(21) Appl. No.: **29/393,850**

PCT/IB2011/000995—Notification of International Search Report and Written Opinion (Dec. 7, 2011), 2 pages. This PCT application is a counterpart to the present application.

(22) Filed: **Jun. 9, 2011**

(Continued)

**Related U.S. Application Data**

(63) Continuation-in-part of application No. 12/758,759, filed on Apr. 12, 2010, and a continuation-in-part of application No. 29/380,849, filed on Dec. 11, 2010, now Pat. No. Des. 639,875.

*Primary Examiner* — Susan E Krakower

(74) *Attorney, Agent, or Firm* — Gordon G. Waggett, P.C.

(51) **LOC (9) Cl.** ..... **21-02**

(57) **CLAIM**

The ornamental design for the weighted exercise pants, as shown and described.

(52) **U.S. Cl.** ..... **D21/683**

**DESCRIPTION**

(58) **Field of Classification Search** ..... D21/662, D21/677–685, 692; 482/55, 92–94, 97–105, 482/124; D29/101.5; D2/731, 738, 828–829; 2/16, 67, 69, 94, 102, 105, 227–228  
See application file for complete search history.

FIG. 1 is a front perspective view of a weighted exercise pants showing our new design.

FIG. 2 is a front view thereof.

FIG. 3 is a back view thereof.

FIG. 4 is a left side view thereof.

FIG. 5 is a right side view thereof.

FIG. 6 is a second front view thereof, showing how the unclaimed weights are inserted.

FIG. 7 is a second front view thereof, showing an alternate belt loop style.

FIG. 8 is a third front view thereof, showing the unclaimed weights within the pockets, and showing the crotch section in a stretched configuration; and,

FIG. 9 is a second back view thereof, showing the central buttocks section in a stretched configuration.

The broken lines illustrate environmental structure and form no part of the claimed design. An unclaimed belt is shown in broken lines to illustrate where a belt could be inserted. It is understood that the broken lines within the claimed design indicate stitch lines which form part of the claimed design.

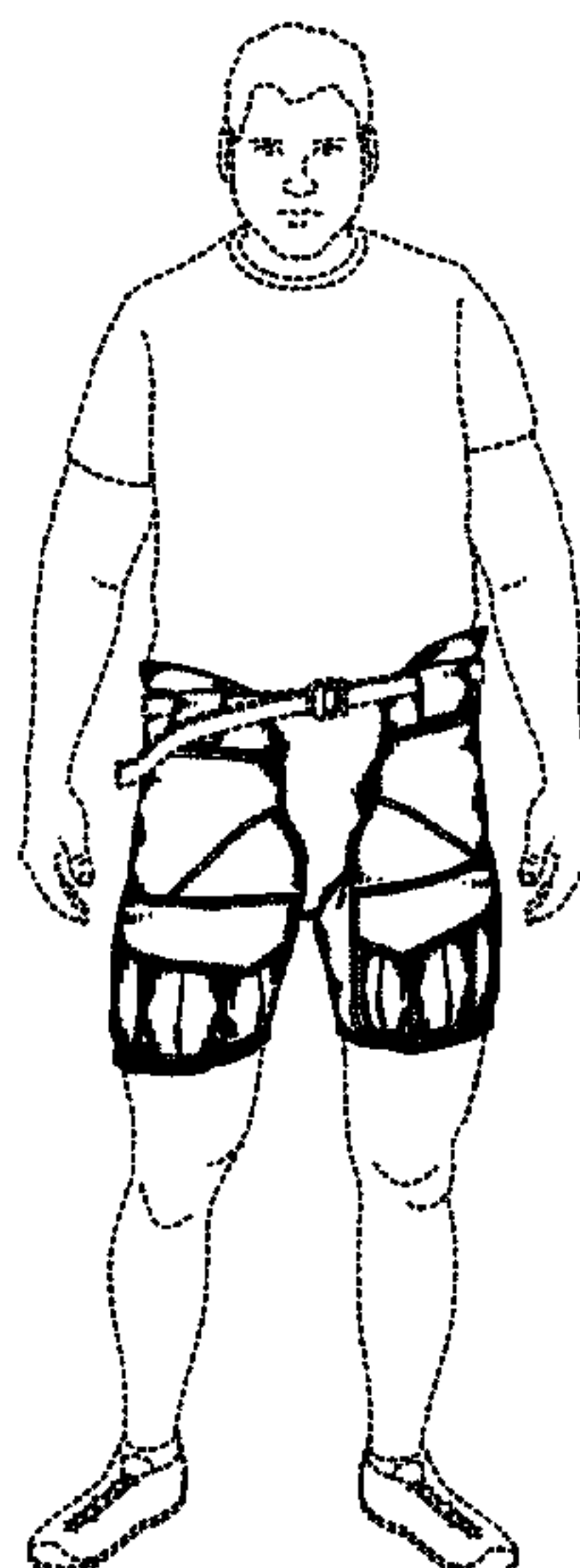
(56) **References Cited**

U.S. PATENT DOCUMENTS

2,599,769	A *	6/1952	MacRAE et al. ....	2/228
3,759,510	A *	9/1973	Jackson, Jr. ....	482/105
4,180,261	A	12/1979	Kolka	
4,303,239	A	12/1981	Walsh, Jr.	
4,658,442	A	4/1987	Tomlinson et al.	
4,953,856	A	9/1990	Fox, III	
4,958,386	A	9/1990	Louis-Jeune	
5,010,596	A	4/1991	Brown et al.	
5,033,117	A	7/1991	Fairweather	
5,048,125	A	9/1991	Libertini et al.	
5,075,902	A	12/1991	McReynolds et al.	
5,144,694	A	9/1992	Conrad Da oud et al.	
5,267,928	A	12/1993	Barile et al.	
5,487,710	A	1/1996	Lavorgna et al.	
5,547,445	A	8/1996	Chang	

(Continued)

**1 Claim, 6 Drawing Sheets**



U.S. PATENT DOCUMENTS

5,553,322	A	9/1996	Cebo-Johnson	
5,555,562	A	9/1996	Holt et al.	
5,572,737	A	11/1996	Valice	
5,659,898	A	8/1997	Bell, Jr.	
D393,028	S	3/1998	Robinson et al.	
5,784,716	A	7/1998	Holt et al.	
5,868,652	A	2/1999	Spletzer	
5,937,441	A	8/1999	Raines	
5,951,446	A	9/1999	Monforte	
5,978,964	A	11/1999	Gaston	
5,983,391	A *	11/1999	Palmer et al.	2/16
6,005,041	A	12/1999	Cook	
6,039,677	A	3/2000	Spletzer	
D425,584	S *	5/2000	Hines	D21/662
6,070,273	A	6/2000	Sgro	
6,200,244	B1	3/2001	Cook	
6,244,997	B1	6/2001	Cook	
6,554,752	B2	4/2003	Cook	
6,669,608	B1	12/2003	Winston	
6,671,887	B1	1/2004	Eligan et al.	
6,719,712	B2	4/2004	Zigmont	
7,090,624	B1	8/2006	Chrishon	
7,156,792	B2	1/2007	Gibson-Horn	
D545,028	S	6/2007	Myrick	
D545,529	S	7/2007	Helbing et al.	
D586,085	S	2/2009	Lounsbury, Jr.	
7,523,508	B2	4/2009	Contant et al.	
D639,875	S *	6/2011	Pou et al.	D21/683
2001/0047145	A1	11/2001	Zigmont	
2002/0010058	A1	1/2002	Myrick	
2003/0092544	A1	5/2003	Reed	
2003/0186789	A1	10/2003	Cook	
2006/0135326	A1	6/2006	Virji et al.	
2006/0172870	A1	8/2006	Virji	
2007/0283479	A1	12/2007	Hasanen	
2008/0078008	A1	4/2008	Demarest et al.	
2008/0280737	A1	11/2008	Cook	
2009/0111667	A1	4/2009	Dimucci, III	
2009/0139005	A1	6/2009	Whaley	

FOREIGN PATENT DOCUMENTS

KR	20199400220	10/1994
----	-------------	---------

OTHER PUBLICATIONS

PCT/IB2011/000995—Notification Search Report (Dec. 7, 2011), 3 pages. This PCT application is a counterpart to the present application. The ISR cites JP-10-305112 (which is the counterpart of US5978964 cited in previous IDS of Feb. 8, 2011). The ISR also cites KR 20-1994-0022069 U (Gang, Sin Gi) Oct. 19, 1994. The remaining references cited in the ISR (Myrick and Ayaz) were already disclosed in prior IDS of Feb. 15, 2011.

PCT/IB2011/000995—Written Opinion (Dec. 7, 2011), 3 pages. This PCT application is a counterpart to the present application. The WO cites JP-10-305112 (which is the counterpart of US5978964 cited in previous IDS of Feb. 8, 2011). The WO also cites KR 20-1994-0022069 U (Gang, Sin Gi) Oct. 19, 1994. The remaining references cited in the WO (Myrick and Ayaz) were already disclosed in prior IDS of Feb 15, 2011.

Webpages from Bauer (<http://www.bauer.com/gear/player/pants> printed Apr. 9, 2010) showing prior art “Supreme” brand of hockey pants, such as the “Supreme One95 Pant”. 3 pages.

Webpage from Easton Hockey (<http://eastonhockey.com/s1s1s1s1.html> printed Apr. 9, 2009) showing prior art Stealth S1 hockey pants. 1 page.

Webpage from Ironwear Fitness showing the prior art the Flex-Metal weight inserts (<http://store.ironwearfitness.com/flexmetal.html> printed Apr. 8, 2010). 3 pages.

Webpages from GoFit.net showing a prior art weighed vest. (<http://www.gofitnet/weighted-vests.php> printed Apr. 8, 2010). 2 pages.

Digital photos showing the inside of a prior art GoFit.net weighed vest along with weight insert. 3 pages.

Webpages from GoFit.net showing a prior art ankle weights. (<http://www.gofit.net/ankle-weights.php> printed Apr. 8, 2010). 2 pages.

Brown, Lee and Ferrigno, Vance. “Stride Frequency and Stride Length”. Human Kinetics Publishers, Inc., ([http://www.humankinetics.com/products/showexcerpt.cfm?excerpt\\_id=3910](http://www.humankinetics.com/products/showexcerpt.cfm?excerpt_id=3910), printed Apr. 9, 2009).

Webpages from Ironwear Fitness showing their “Uni-Pants” prior art weighted conditioning pants. (<http://store.ironwearfitness.com/unipants.html> printed Apr. 9, 2009). 3 pages.

Webpages from Athletic Training Innovations featuring their “SKILLZ” weighted vests and shorts suit. (<http://www.atinnovate.com/products/skillz-complete-suit> printed Jun. 8, 2010). 3 pages.

Webpages from Athletic Training Innovations featuring their “SKILLZ” weighted shorts. (<http://www.atinnovate.com/products/skillz-shorts> printed Jun. 8, 2010). 3 pages.

Webpages from Athletic Training Innovations featuring their “SKILLZ” weighted vests. (<http://www.atinnovate.com/products/skillz-vest> printed Jun. 8, 2010). 2 pages.

Galt, Dwight. Dynamic Leg Strength. Dec. 11, 2008. (<http://underground.underarmour.com/tnptraining/index.cfm/2008/12/11/Dynamic-Leg-Strength>, printed Apr. 9, 2009). 2 pages.

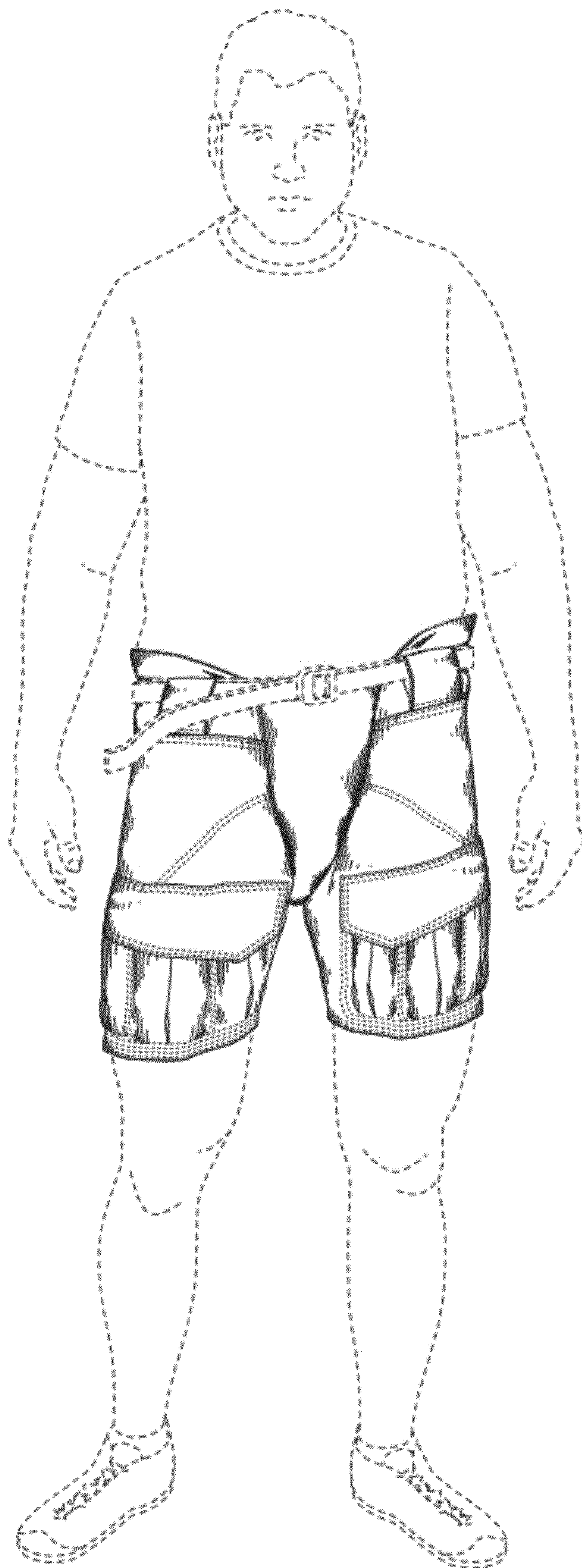
Yessis, Michael. “Using Weighted Pants”. (<http://www.tennistrainer.com/weightedpants.html> printed Apr. 9, 2009). 2 pages.

Webpages from SPT Sports Portal regarding the “Pro Power Suit” weighted vest and weighted suit. ([http://www.propowersuit.com/weighted\\_vest\\_works.html](http://www.propowersuit.com/weighted_vest_works.html) printed Jun. 8, 2010). 2 pages.

Pou et al., First nonfinal office action dated Jun. 18, 2012 in related parent nonprovisional U.S. Appl. No. 12/758,759, 32 pages.

\* cited by examiner





**FIG. 1**

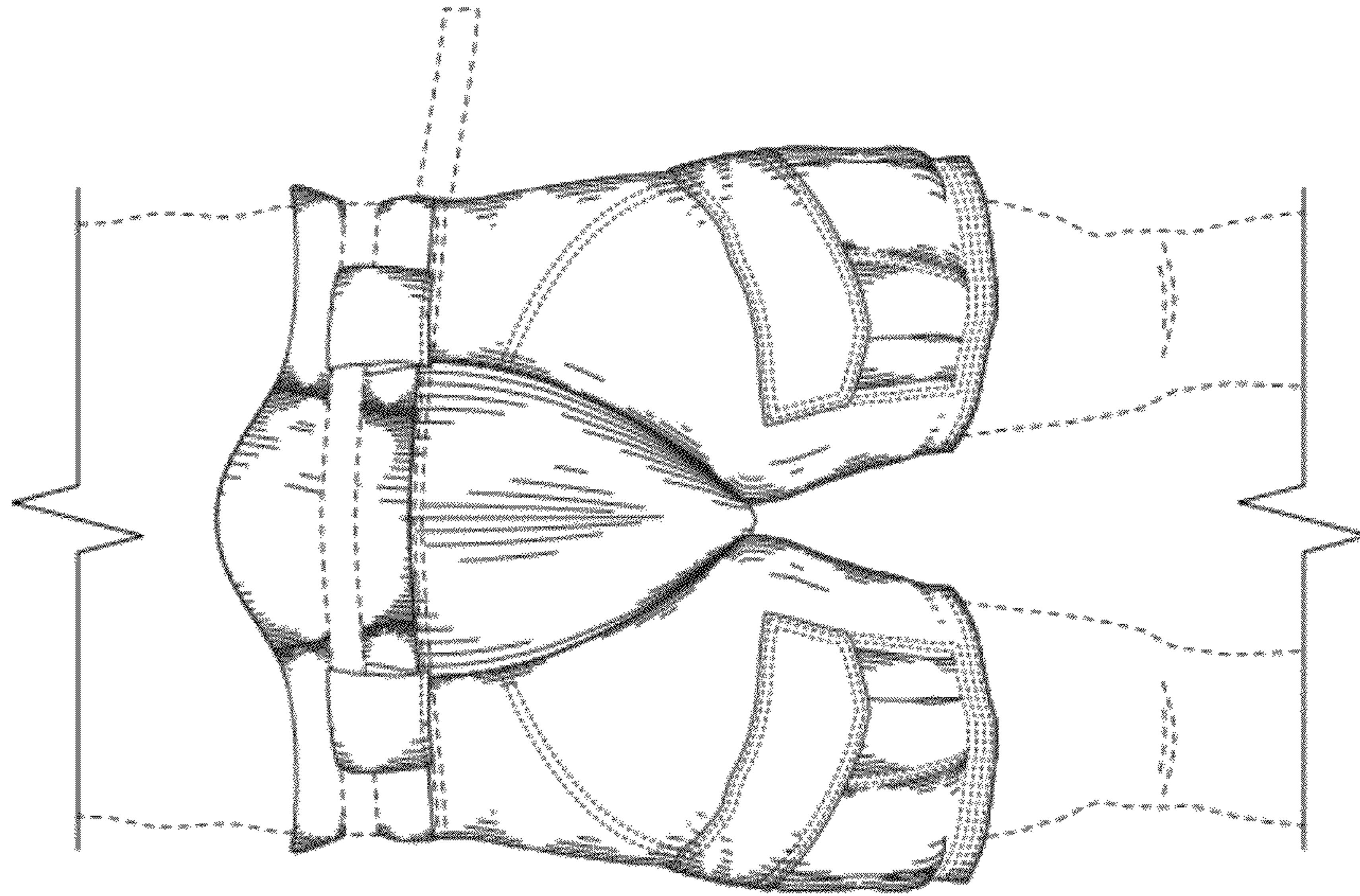


FIG. 3

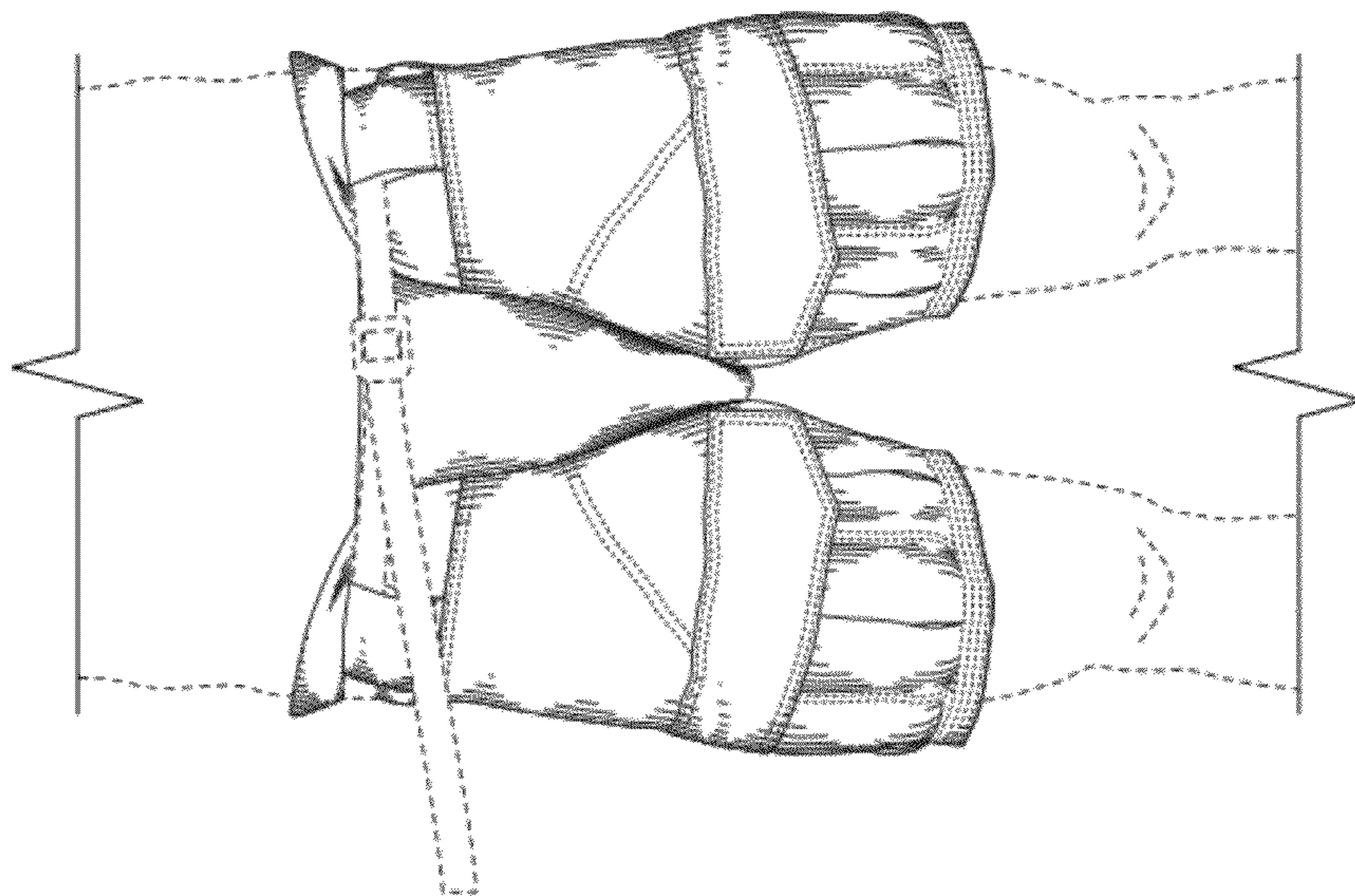


FIG. 2



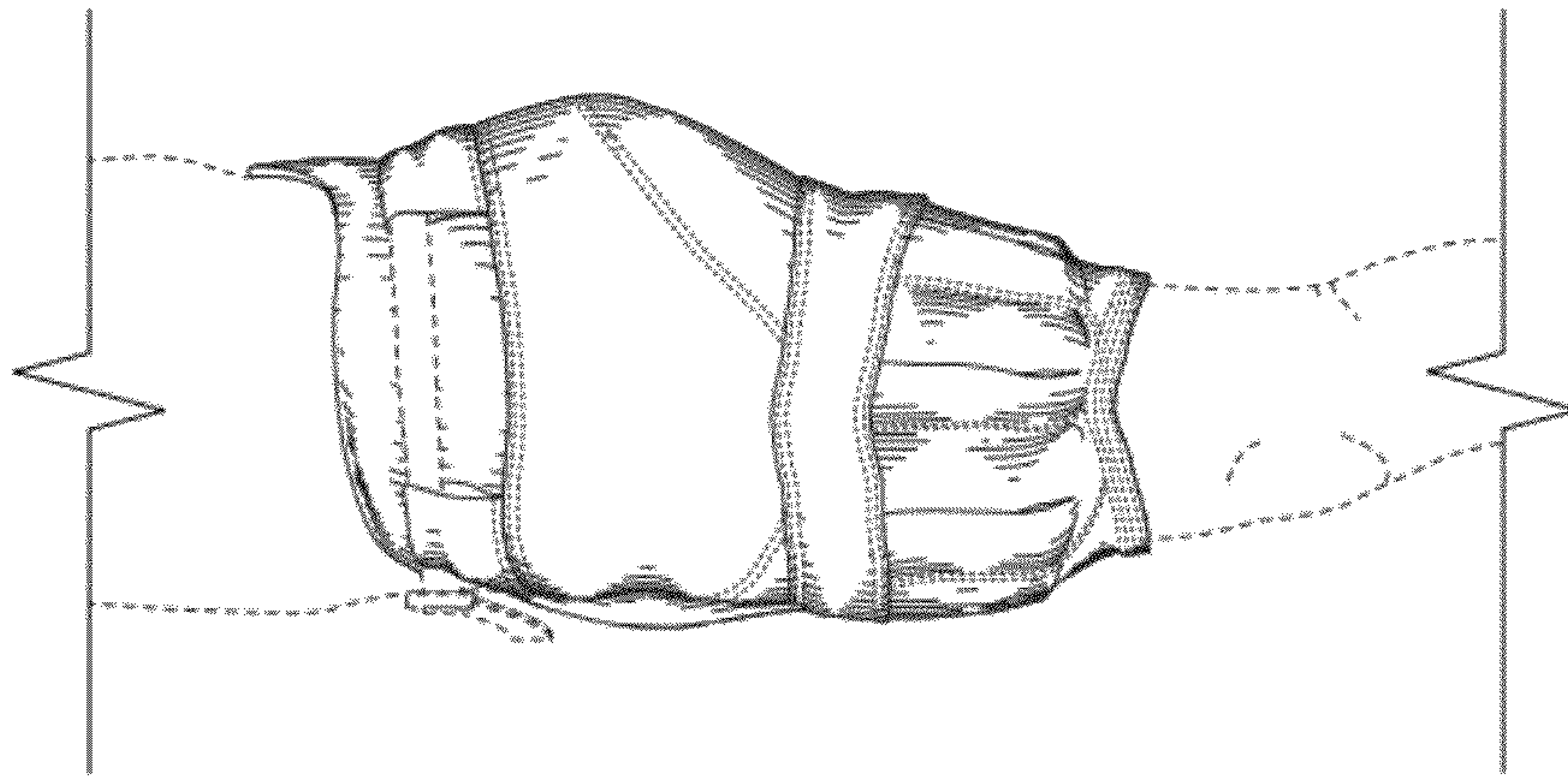


FIG. 5

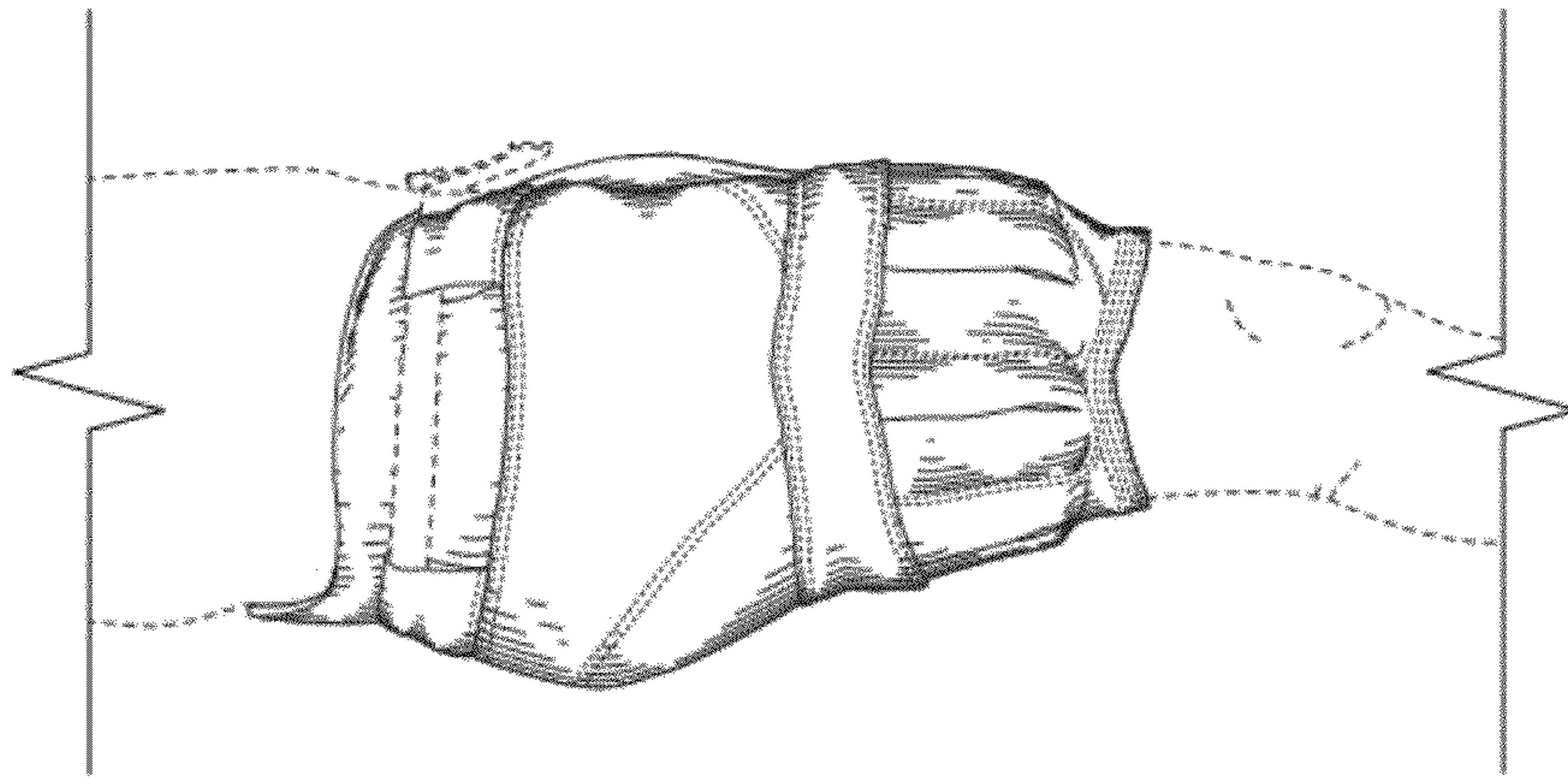


FIG. 4

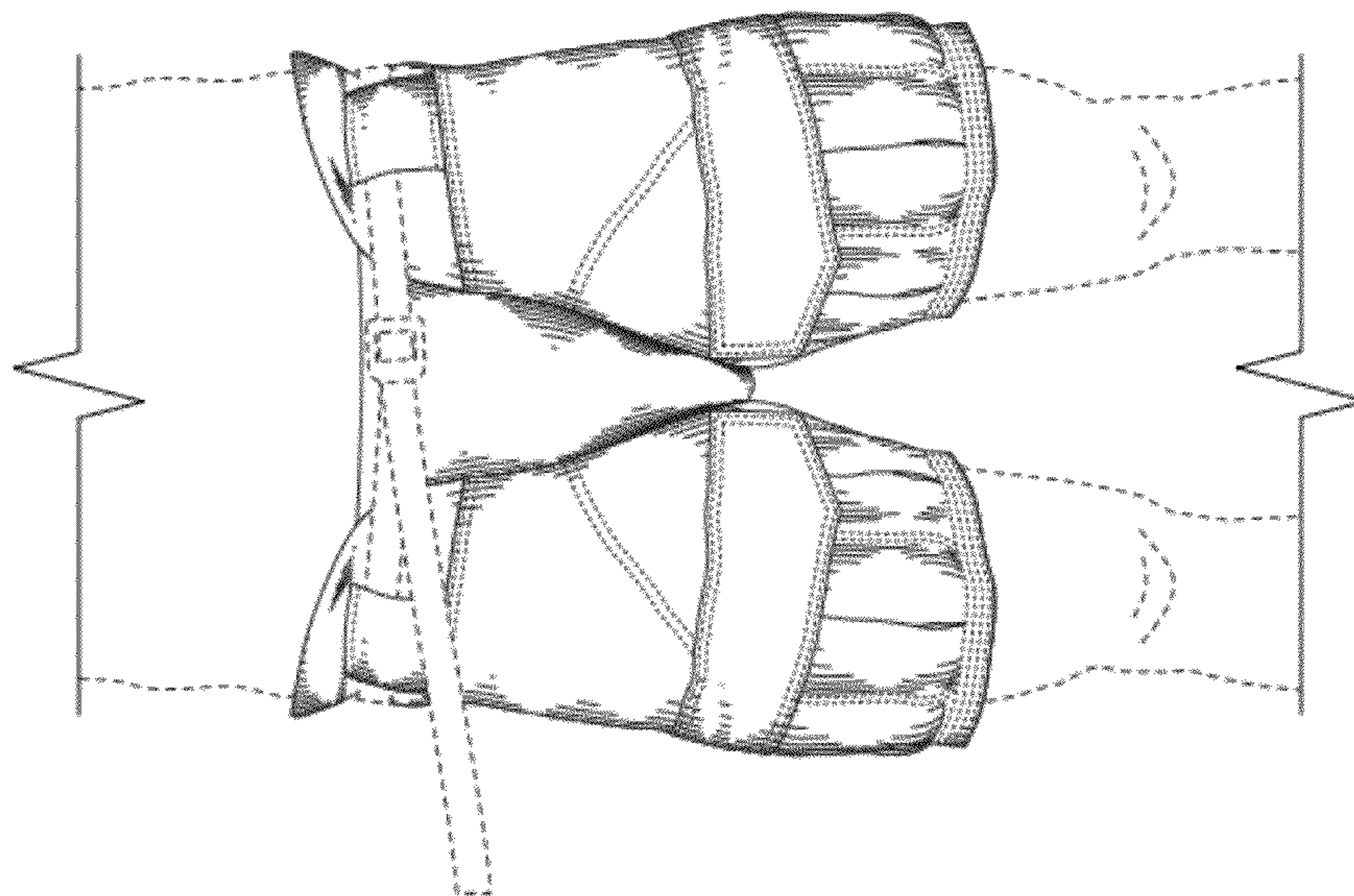


FIG. 6

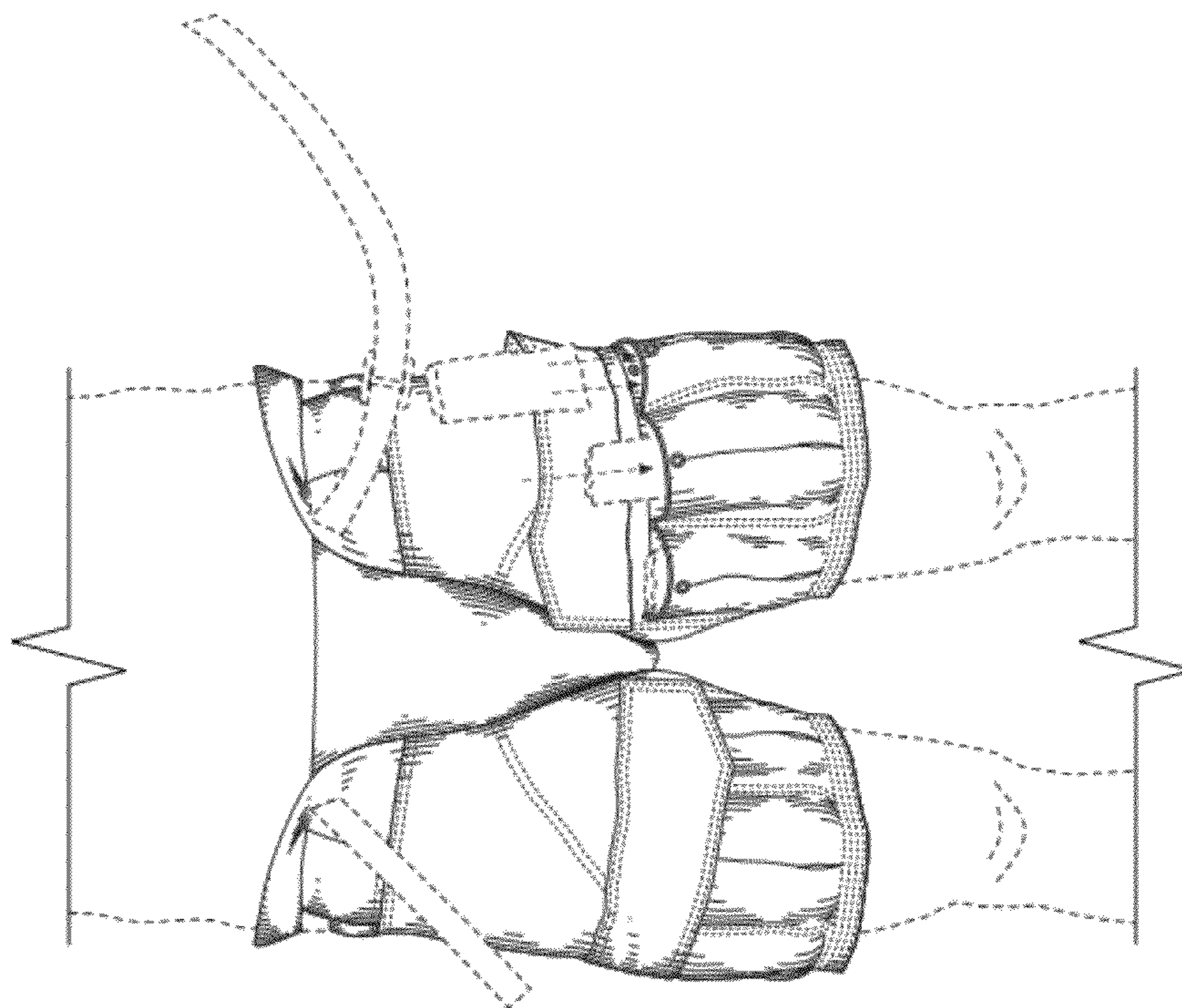


FIG. 7



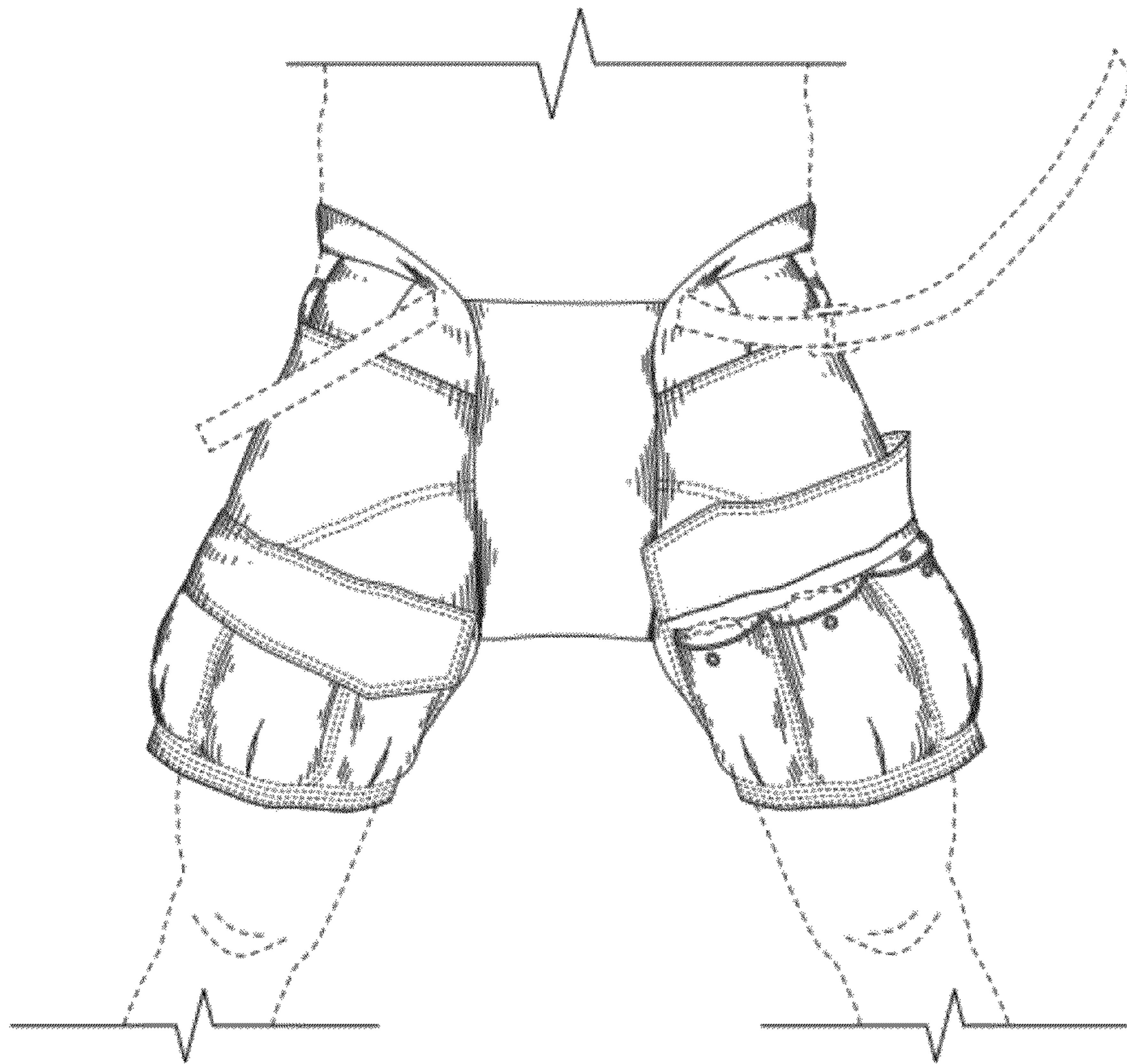


FIG. 8

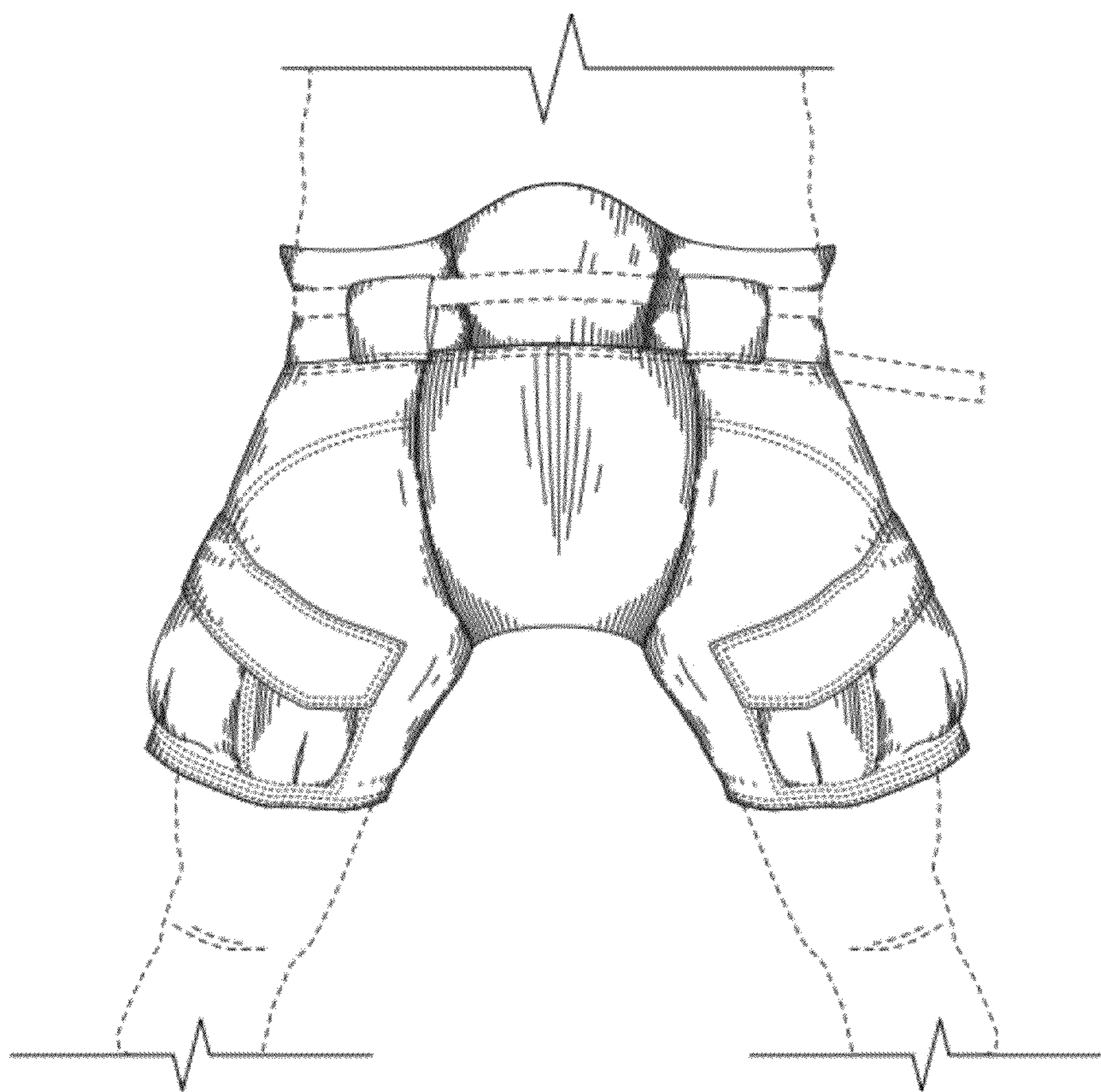


FIG. 9