



US00D664613S

(12) **United States Design Patent**
Dalebout et al.

(10) **Patent No.:** **US D664,613 S**
(45) **Date of Patent:** **** Jul. 31, 2012**

(54) **KETTLE BELL**

(75) Inventors: **William Dalebout**, North Logan, UT
(US); **Gaylen Ercanbrack**, Logan, UT
(US)

(73) Assignee: **ICON IP, Inc.**, Logan, UT (US)

(**) Term: **14 Years**

(21) Appl. No.: **29/409,203**

(22) Filed: **Dec. 21, 2011**

Related U.S. Application Data

(63) Continuation-in-part of application No. 29/397,472,
filed on Jul. 15, 2011, now Pat. No. Des. 652,877.

(51) **LOC (9) Cl.** **21-02**

(52) **U.S. Cl.** **D21/682**

(58) **Field of Classification Search** D21/662,
D21/677-678, 680-685, 692, 694; 482/92-94,
482/97-111, 114-115, 138
See application file for complete search history.

(56) **References Cited**

U.S. PATENT DOCUMENTS

1,316,683	A *	9/1919	Calvert	482/93
7,052,445	B2 *	5/2006	Ekhaus	482/93
D522,594	S *	6/2006	Donahue et al.	D21/682
D522,595	S *	6/2006	Donahue et al.	D21/682
7,491,157	B1 *	2/2009	Lin	482/108
7,563,208	B1 *	7/2009	Chen	482/93
7,731,640	B1 *	6/2010	Chen	482/93

7,762,933	B1 *	7/2010	Yu	482/107
7,811,212	B2 *	10/2010	Chen	482/107
7,942,792	B1 *	5/2011	Wyman et al.	482/93
D652,877	S *	1/2012	Dalebout et al.	D21/682
D653,716	S *	2/2012	Lin	D21/682
2007/0135274	A1 *	6/2007	Blateri	482/109
2008/0081744	A1 *	4/2008	Gormley	482/93
2009/0093348	A1 *	4/2009	Wang	482/93
2010/0210427	A1 *	8/2010	Yu	482/93
2010/0331151	A1 *	12/2010	Signorile et al.	482/93
2011/0263392	A1 *	10/2011	Yu	482/93

* cited by examiner

Primary Examiner — Susan E Krakower

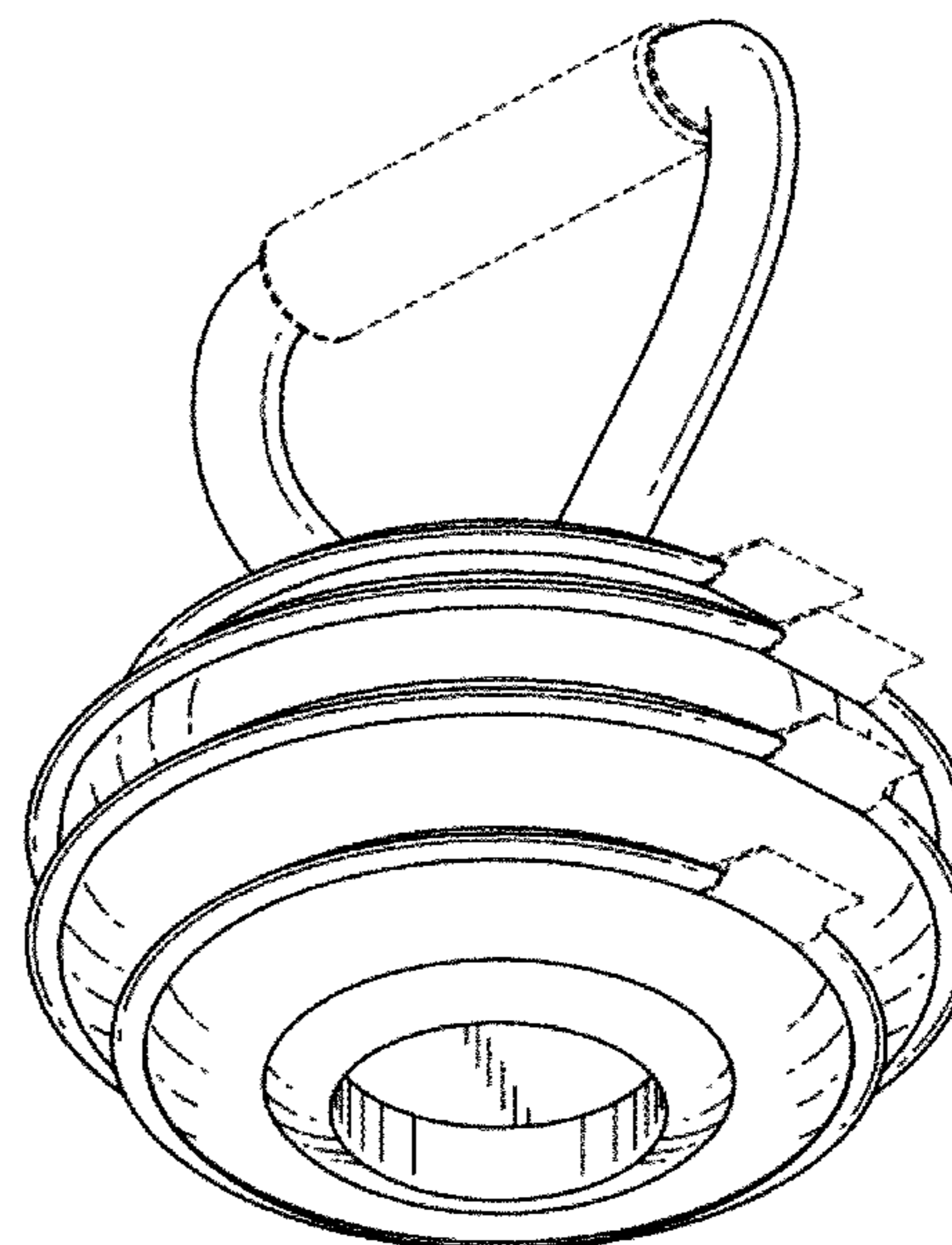
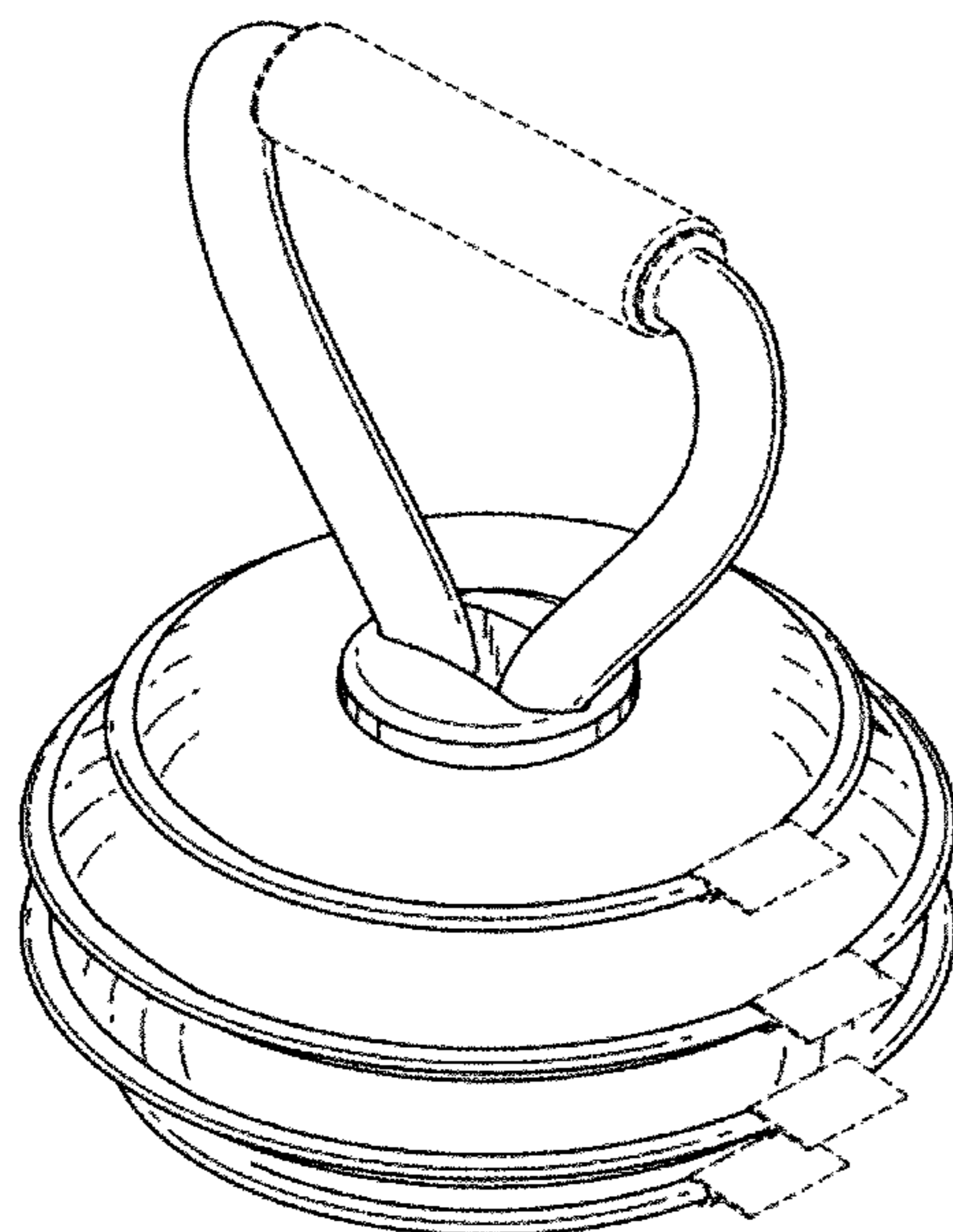
(57) **CLAIM**

The ornamental design for a kettle bell, as shown and described.

DESCRIPTION

FIG. 1 is perspective view of a kettle bell;
FIG. 2 is a second perspective view thereof;
FIG. 3 is a front view thereof;
FIG. 4 is a back view thereof;
FIG. 5 is a left view thereof;
FIG. 6 is a right view thereof;
FIG. 7 is a top view thereof; and,
FIG. 8 is a bottom view thereof.
The broken lines illustrate portions of the kettle bell which form no part of the claimed design.

1 Claim, 7 Drawing Sheets



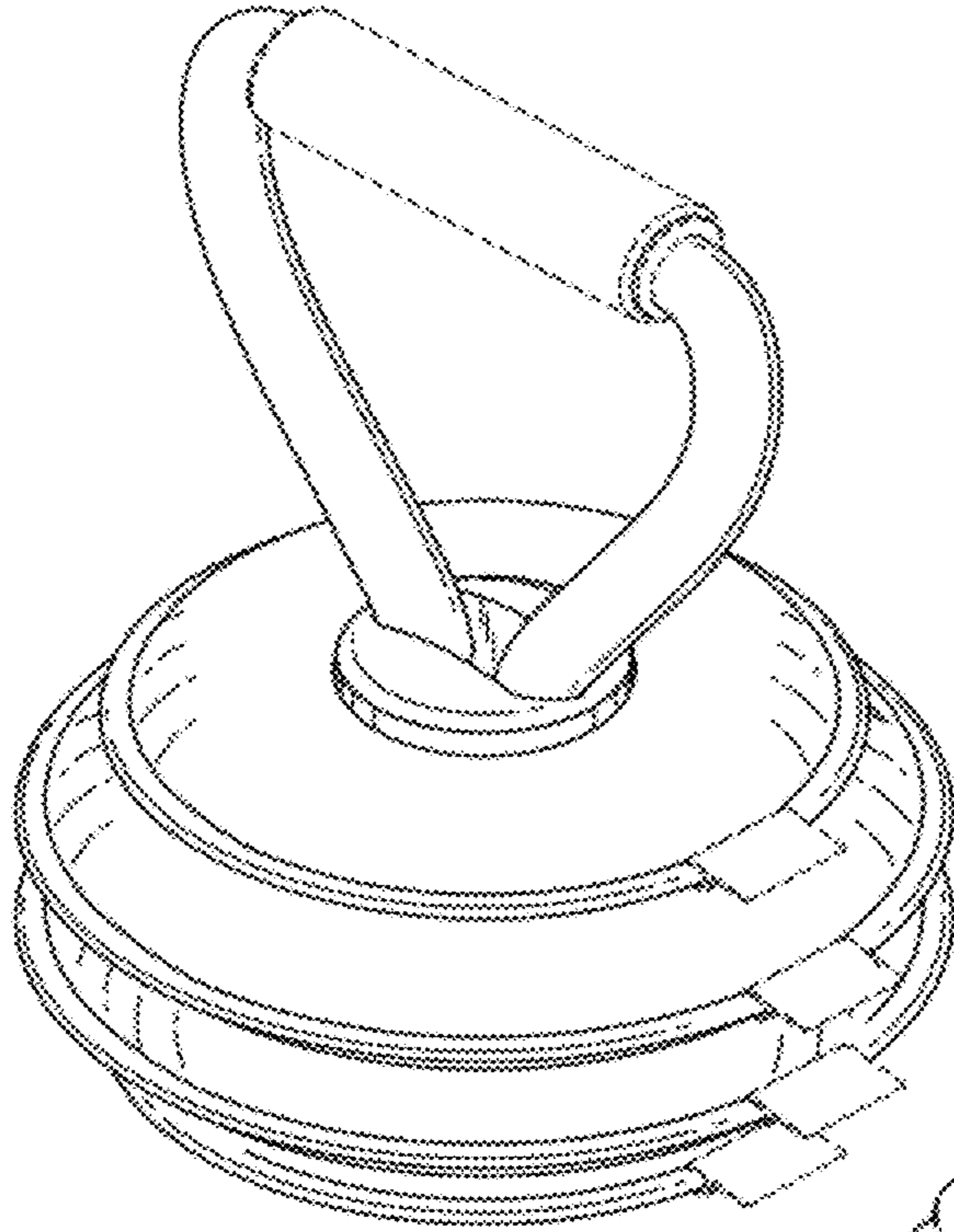


Fig. 1

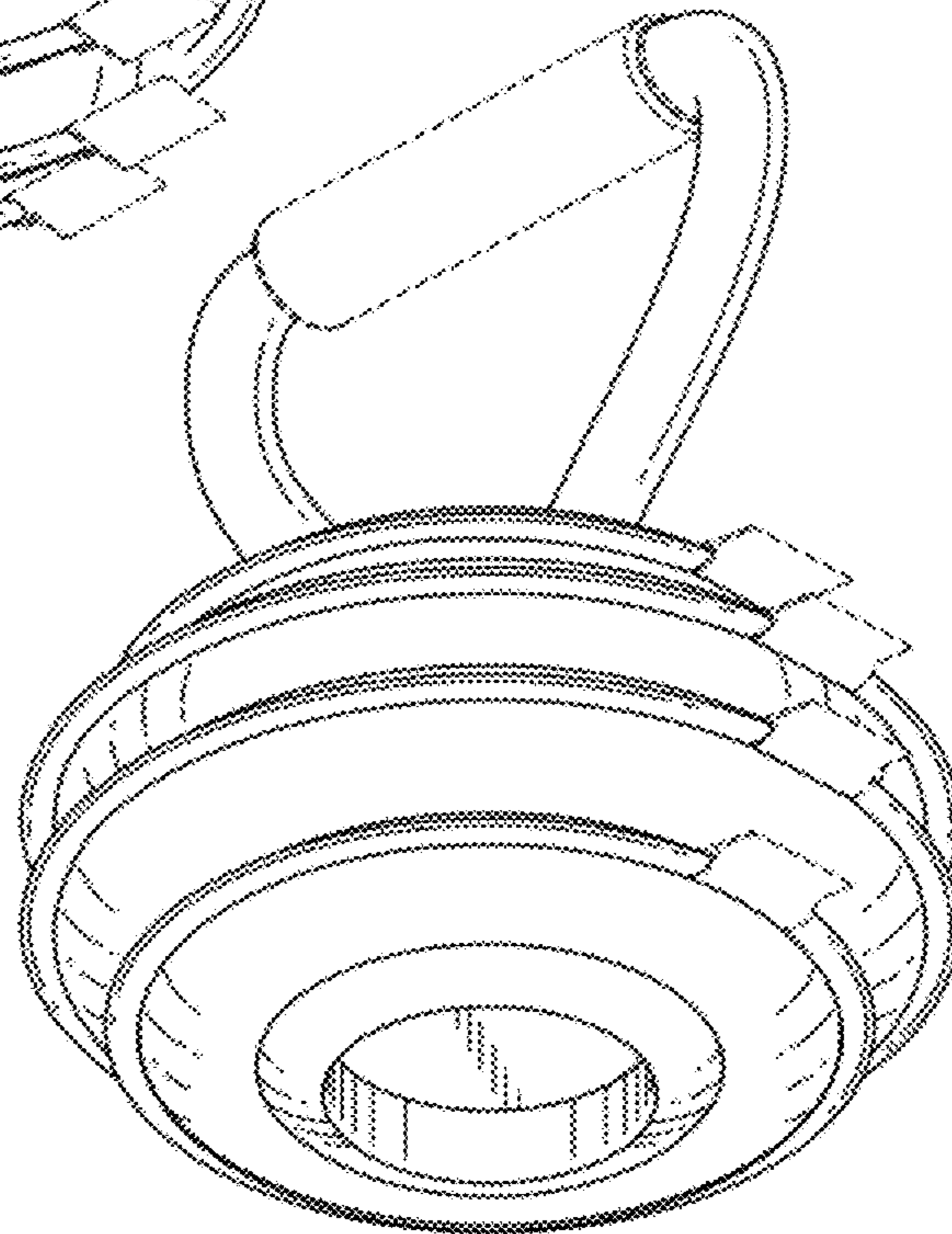


Fig. 2

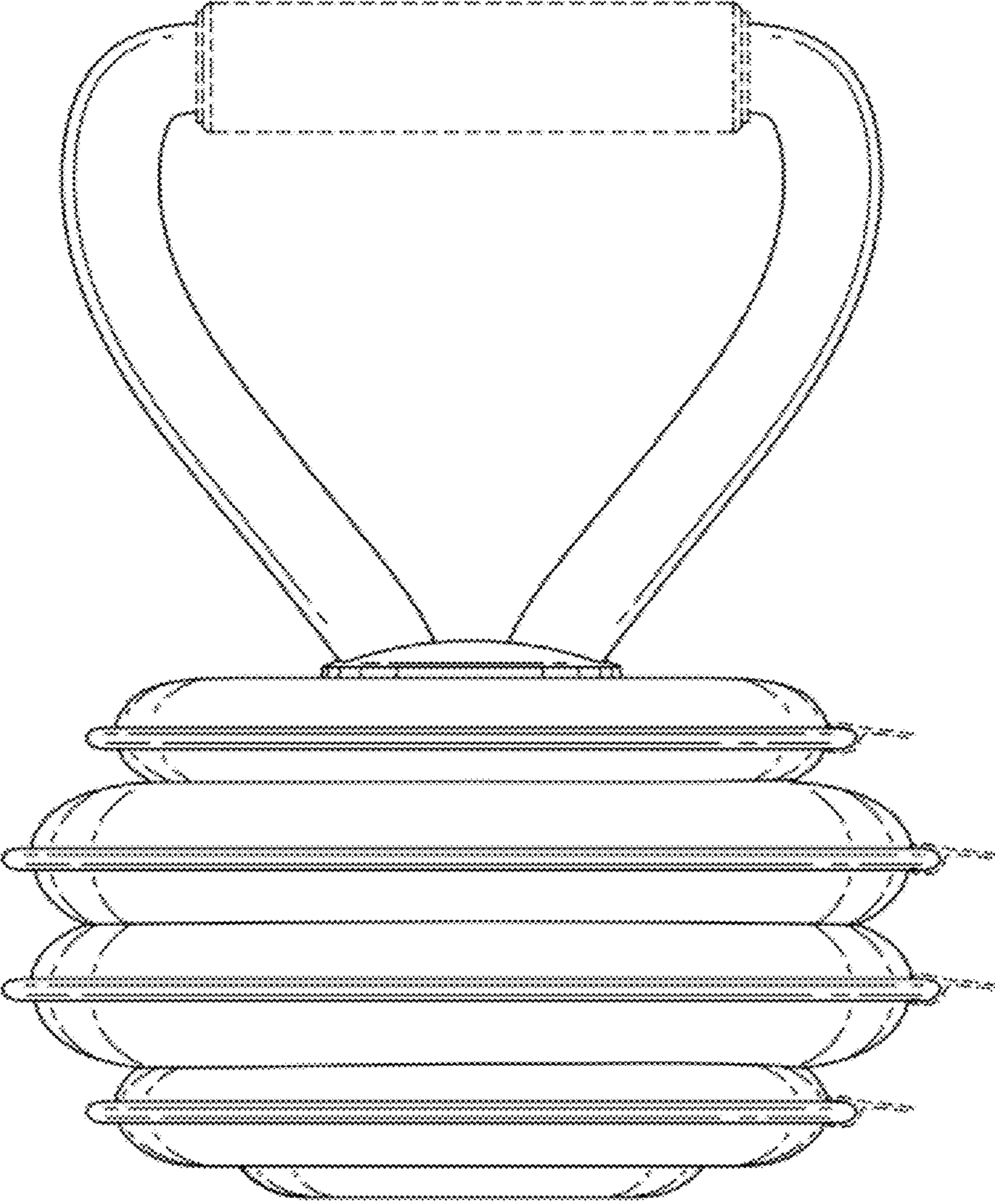


Fig. 3

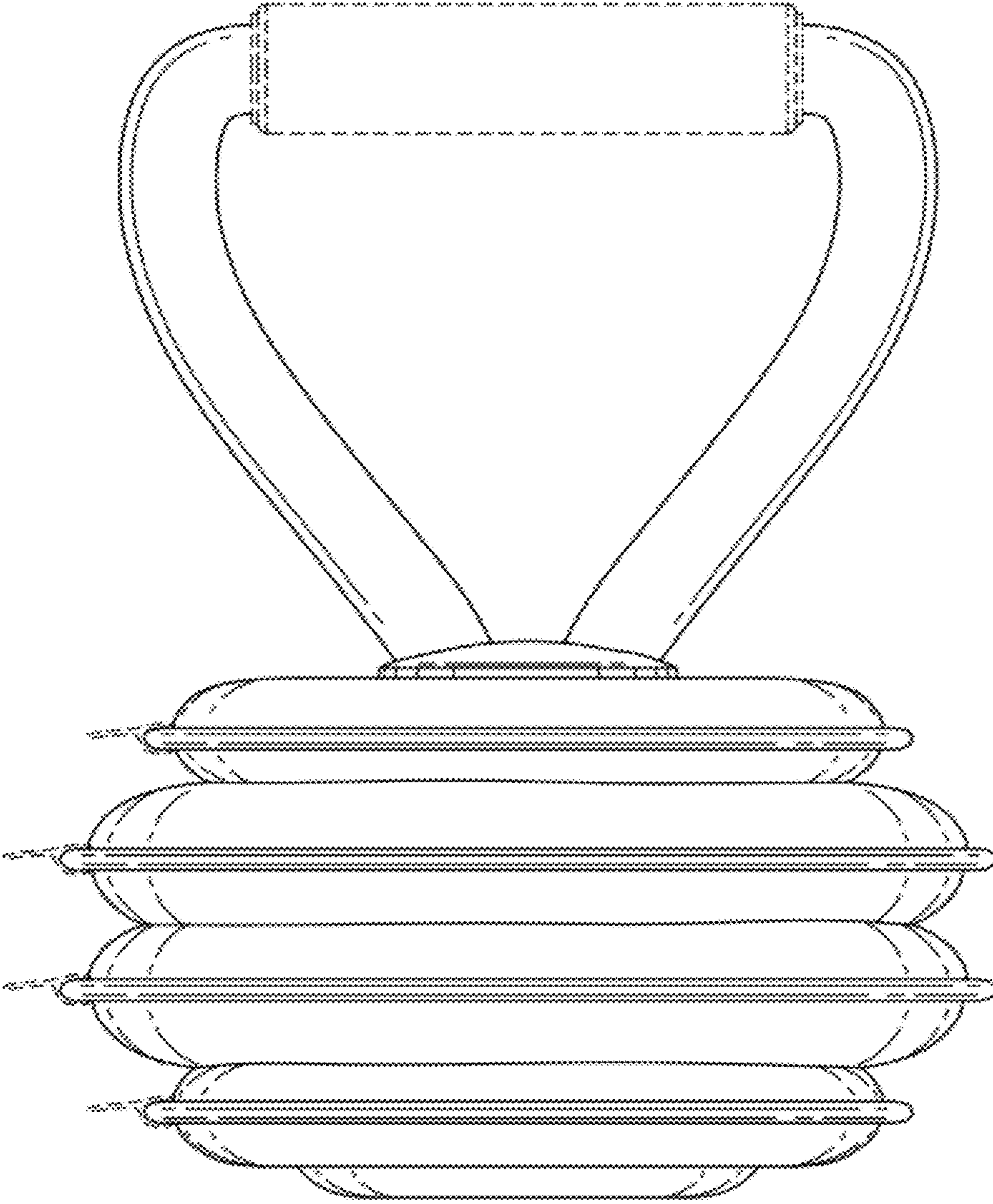


Fig. 4

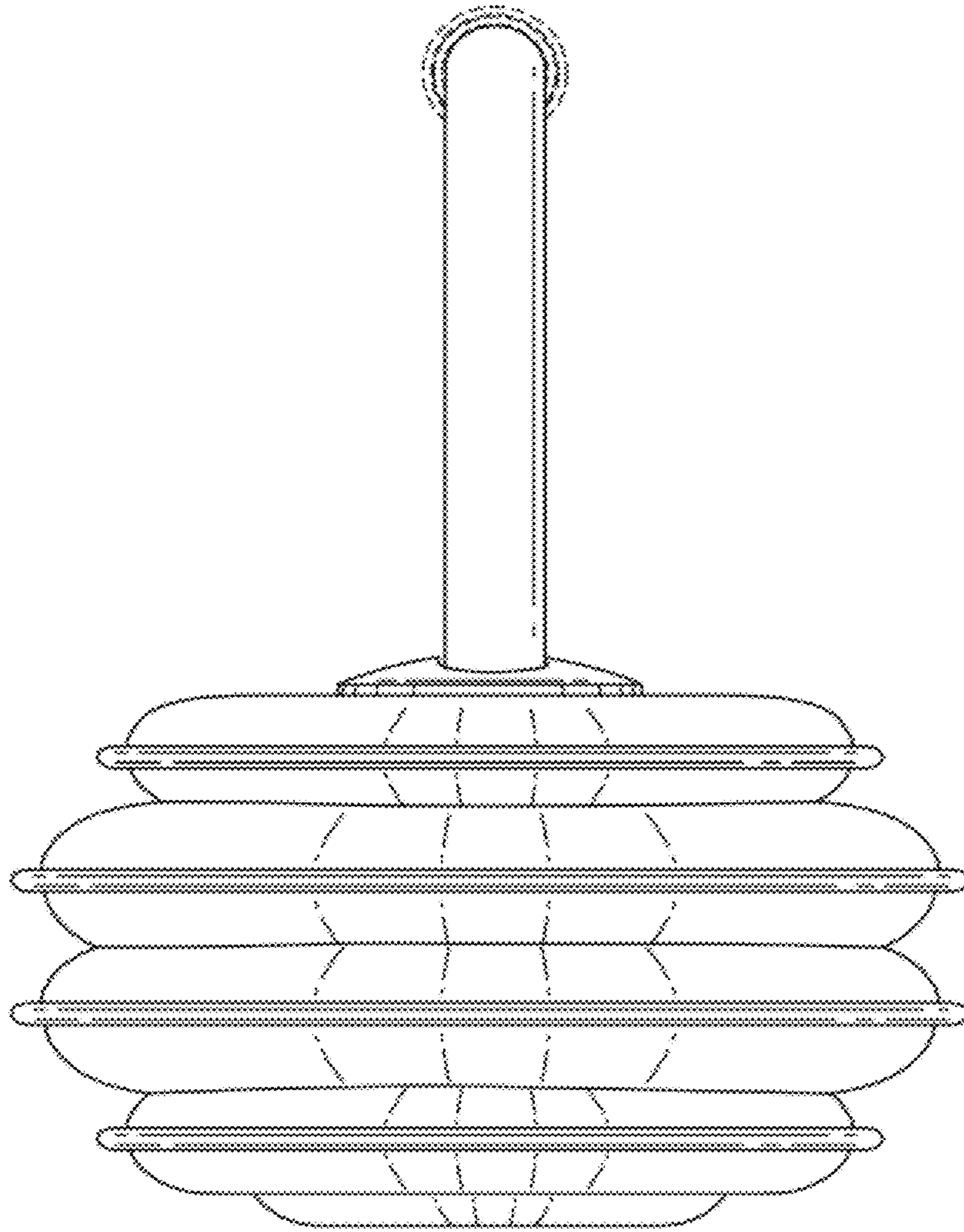


Fig. 5

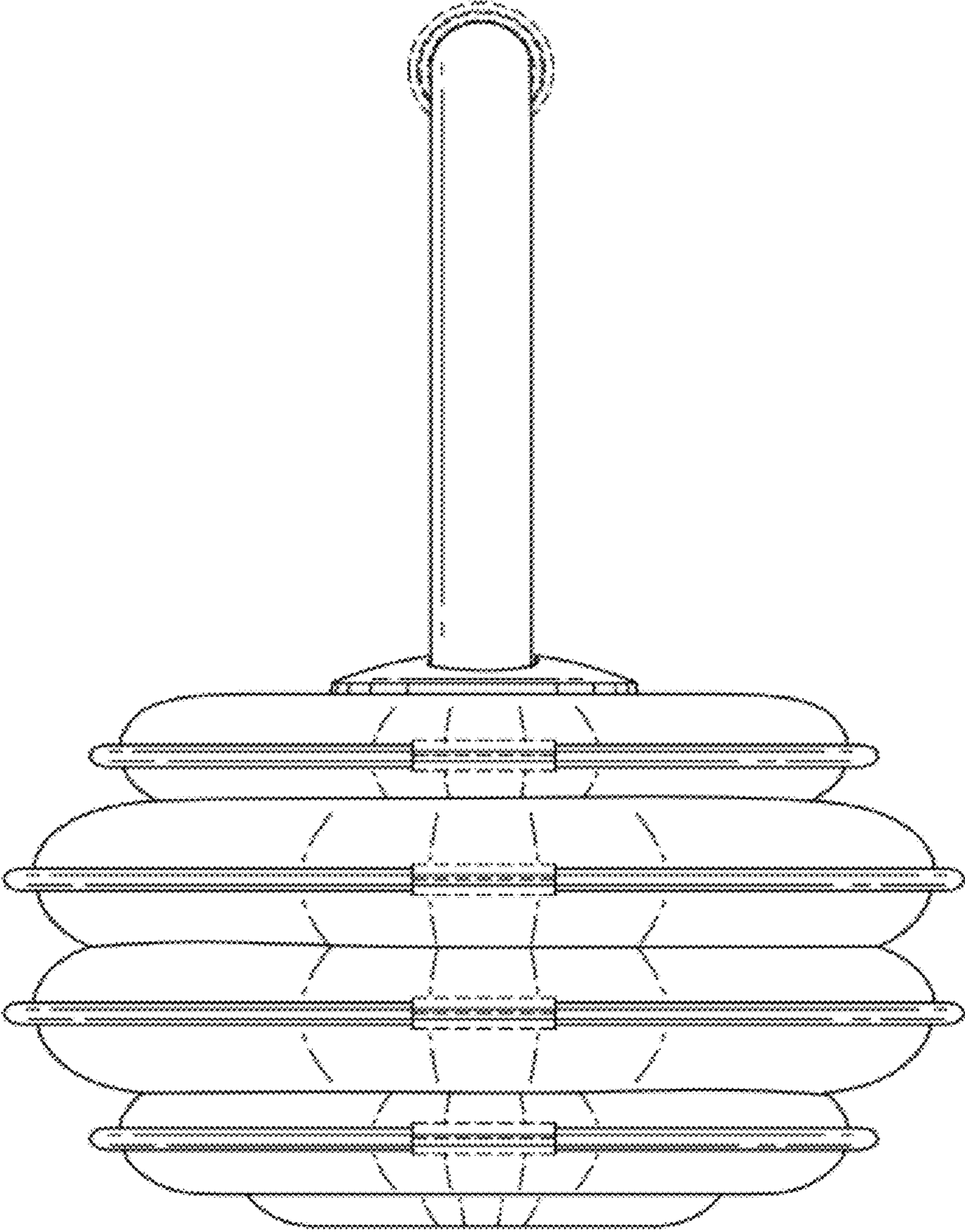


Fig. 6

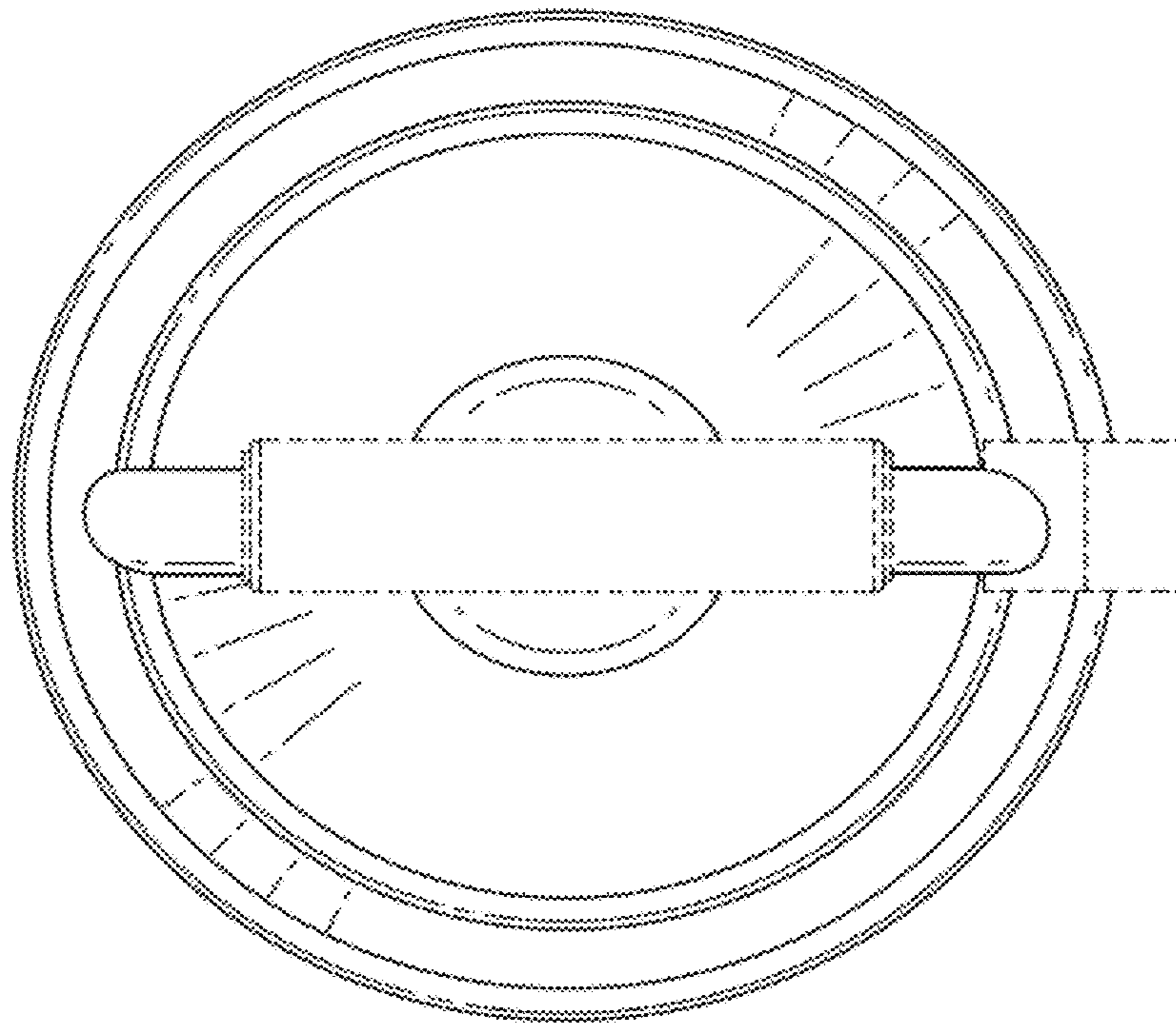


Fig. 7

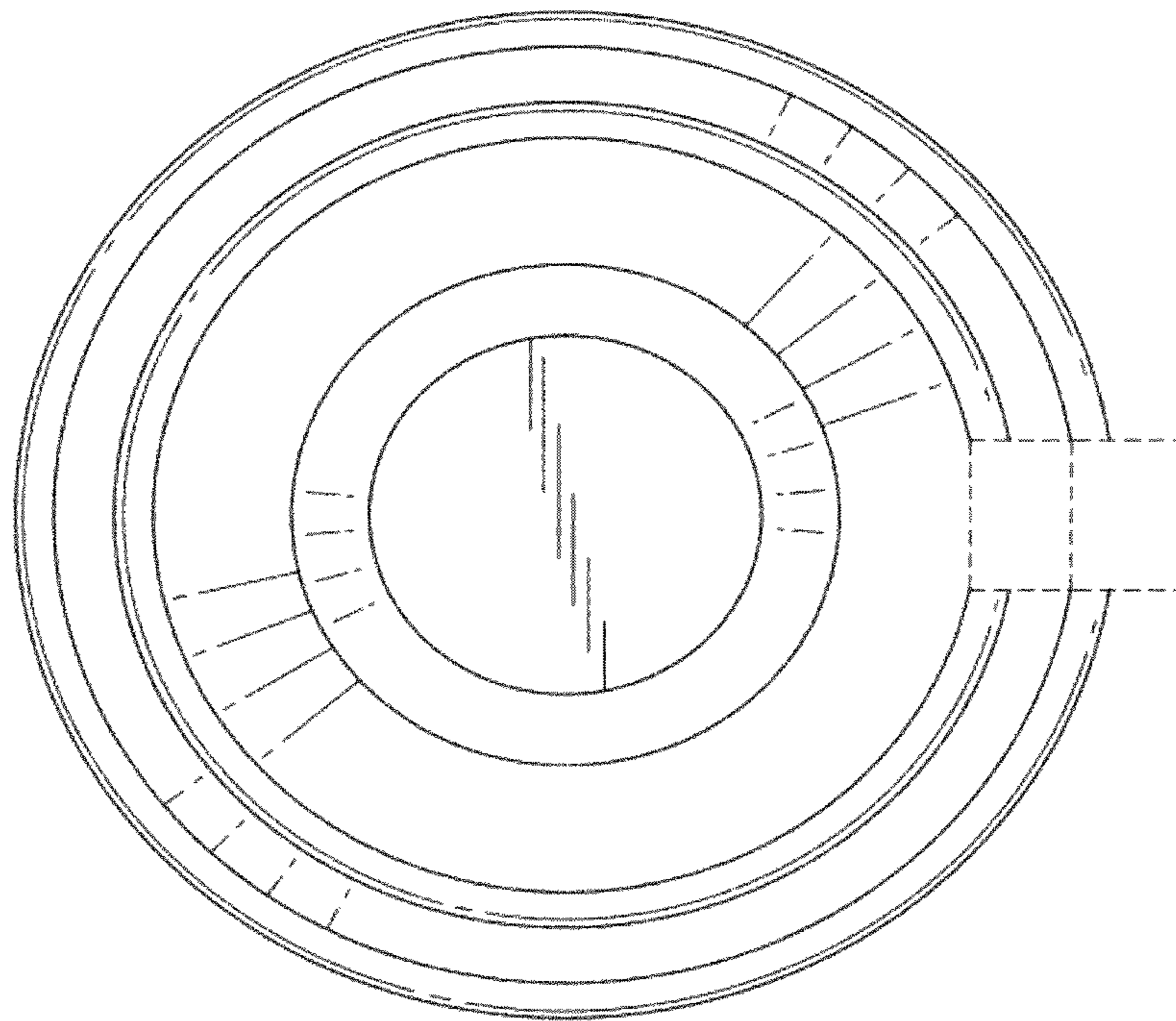


Fig. 8