

US00D664609S

(12) **United States Design Patent**  
**Johnson**

(10) **Patent No.:** **US D664,609 S**  
(45) **Date of Patent:** **\*\* Jul. 31, 2012**

(54) **TOY GUN**

(75) Inventor: **Drew A. Johnson**, Providence, RI (US)

(73) Assignee: **Hasbro, Inc.**, Pawtucket, RI (US)

(\*\*) Term: **14 Years**

(21) Appl. No.: **29/383,240**

(22) Filed: **Jan. 14, 2011**

(51) **LOC (9) Cl.** ..... **21-01**

(52) **U.S. Cl.** ..... **D21/574**

(58) **Field of Classification Search** ..... D21/333,  
D21/401, 461, 567, 568, 570–575; D14/418;  
D22/100, 101, 104, 105, 108–110; 124/16,  
124/26, 27, 28, 29, 54, 73–77; 222/78, 79;  
42/54, 57, 58; 446/23, 182, 192, 401, 403,  
446/405–407, 473, 475

See application file for complete search history.

D449,354	S	*	10/2001	Hornsby et al.	.....	D21/574
D454,166	S	*	3/2002	Hornsby et al.	.....	D21/574
D458,975	S	*	6/2002	Hornsby et al.	.....	D21/574
6,598,329	B1		7/2003	Alexander		
6,733,356	B2		5/2004	Lee		
D504,489	S	*	4/2005	Cerovic	.....	D22/104
D508,277	S	*	8/2005	Cerovic	.....	D22/104
7,287,526	B1		10/2007	Bligh et al.		
D557,355	S	*	12/2007	Higuchi et al.	.....	D21/572
7,418,797	B1		9/2008	Croze		
7,437,847	B1		10/2008	Mabry		
D588,214	S	*	3/2009	Stadlbauer	.....	D21/572
7,552,557	B1		6/2009	Mabry		
7,673,624	B2		3/2010	Rosella, Jr.		
D635,620	S	*	4/2011	Nadel	.....	D21/573
2006/0180134	A1		8/2006	Illuzzi		
2006/0242880	A1		11/2006	Griffin		
2009/0229158	A1		9/2009	Victor		
2009/0249672	A1		10/2009	Zedrosser		

\* cited by examiner

*Primary Examiner* — Cynthia M Chin

(74) *Attorney, Agent, or Firm* — Perry Hoffman

(56) **References Cited**

U.S. PATENT DOCUMENTS

961,511	A	6/1910	Marble	
1,331,155	A	2/1920	Johnson	
1,374,757	A	4/1921	Napier	
2,908,987	A	10/1959	Allyn	
3,968,783	A	7/1976	Pfotenhauer	
4,139,959	A	2/1979	Howard et al.	
4,170,215	A	10/1979	Kettlestrings	
4,248,202	A	2/1981	Jaworski et al.	
4,659,320	A	4/1987	Rich et al.	
D354,997	S	*	1/1995	Arad et al. .... D21/574
5,471,967	A	12/1995	Matsuzaki et al.	
5,529,050	A	6/1996	D'Andrade	
5,611,322	A	3/1997	Matsuzaki et al.	
5,956,878	A	9/1999	Yang	
5,996,564	A	12/1999	Kotowski	
6,224,457	B1	5/2001	Wu	
6,250,294	B1	6/2001	Lim	

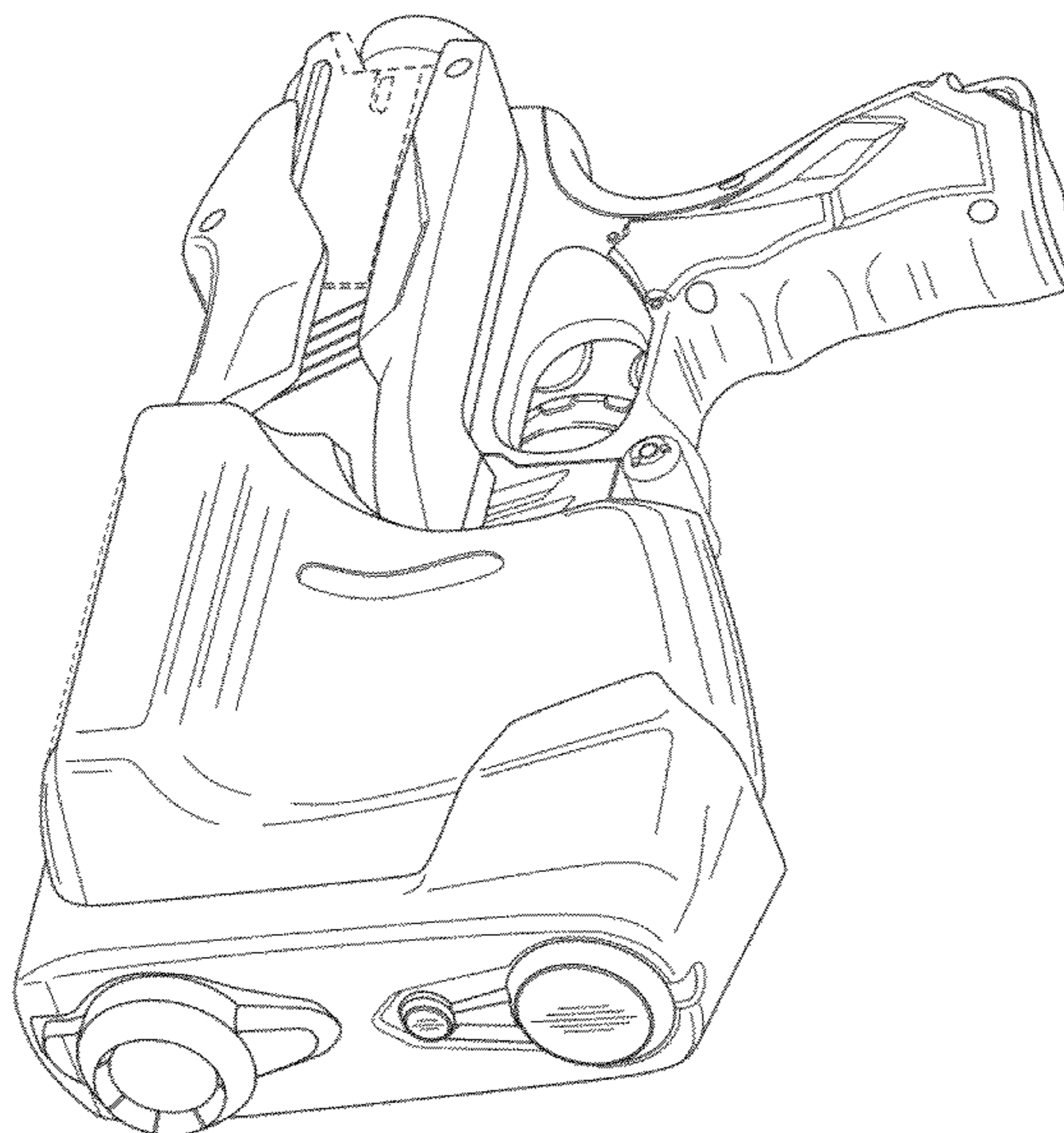
(57) **CLAIM**

The ornamental design for a toy gun, as shown and described.

**DESCRIPTION**

FIG. 1 is a reduced perspective view of the toy gun of the instant invention;  
FIG. 2 is a front elevation view thereof;  
FIG. 3 is a rear elevation view thereof;  
FIG. 4 is a top view thereof;  
FIG. 5 is a bottom view thereof;  
FIG. 6 is a right side elevational view thereof; and,  
FIG. 7 is a left side elevational view thereof.  
The broken lines shown are included for the purpose of illustrating the unclaimed portions of the article and form no part of the claimed design.

**1 Claim, 6 Drawing Sheets**



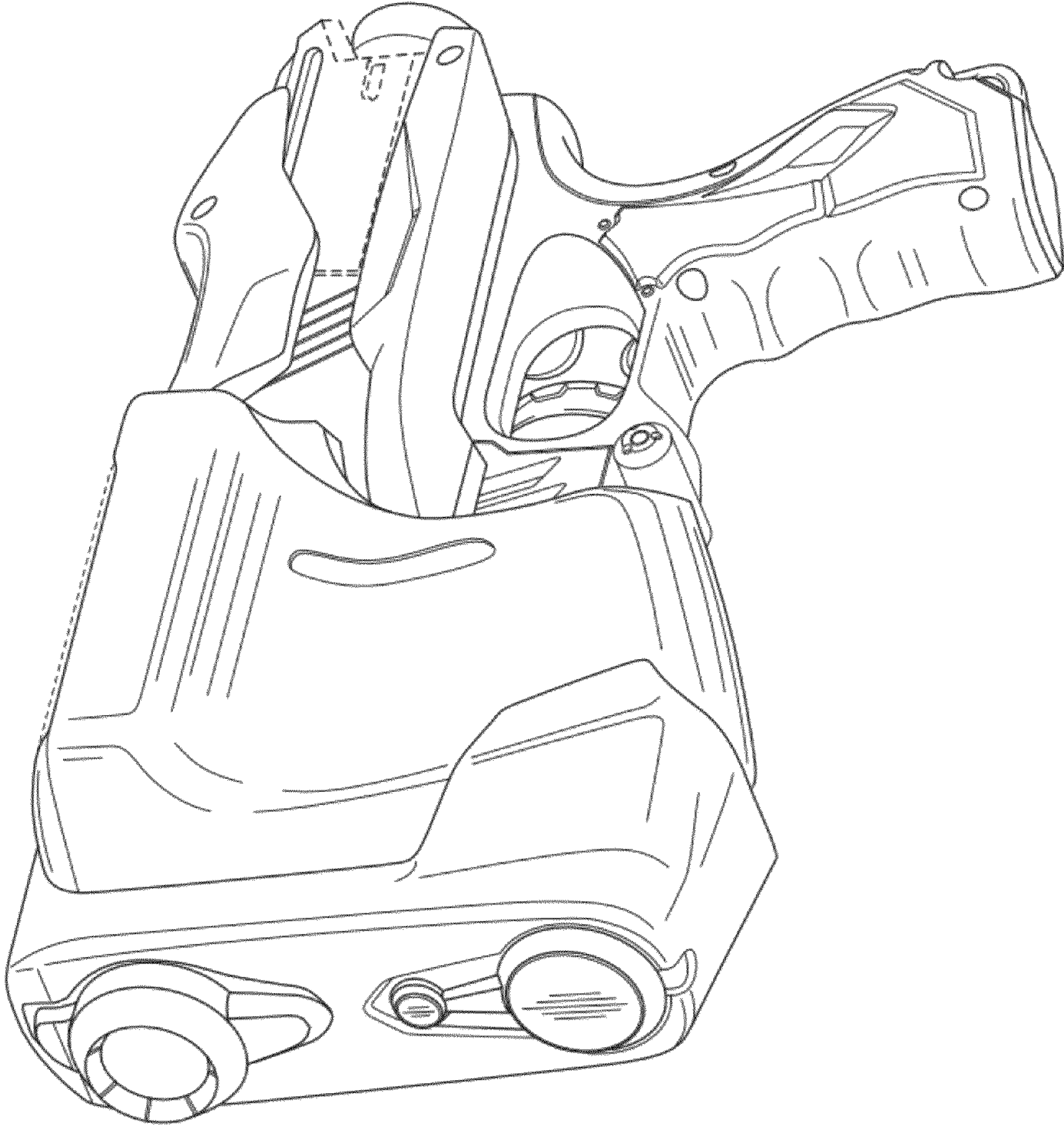


FIG. 1

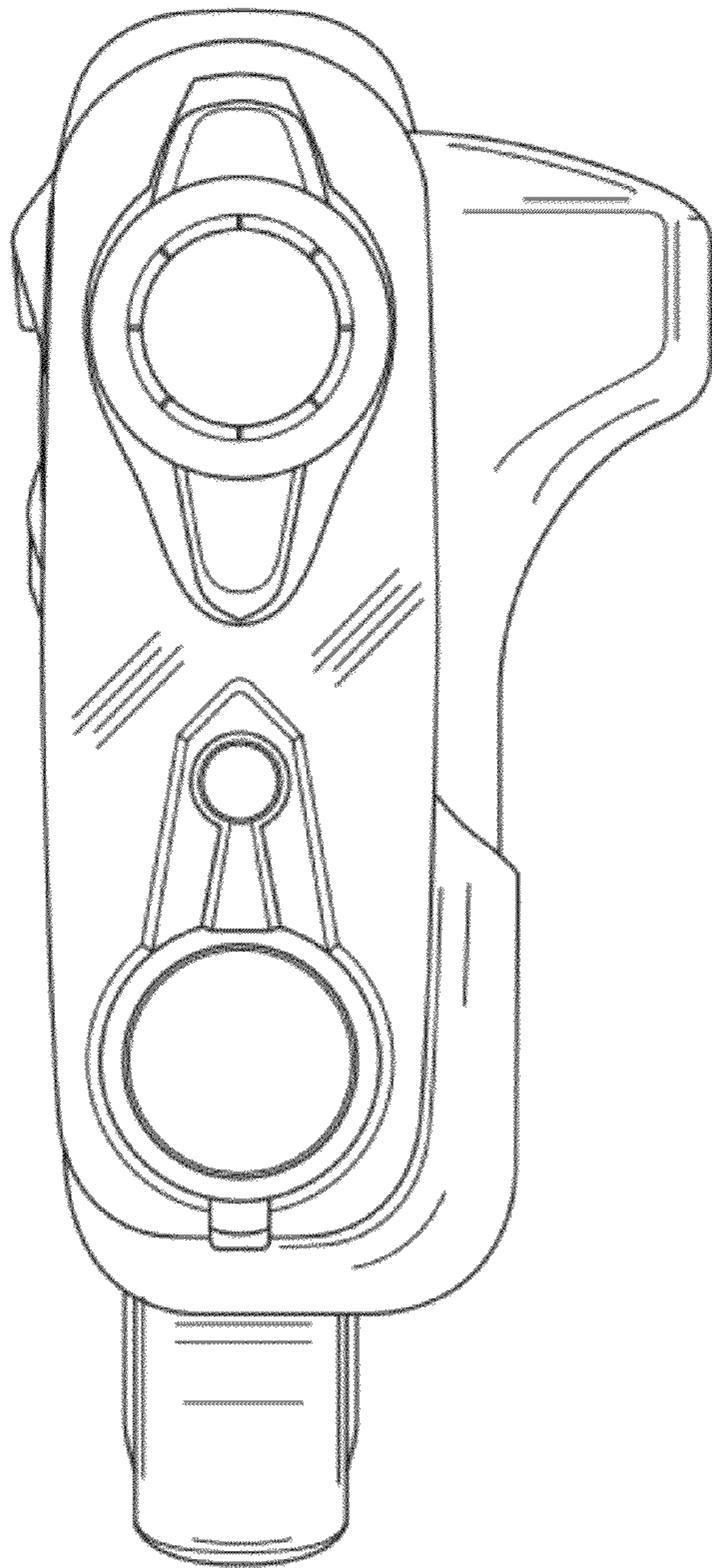


FIG. 2

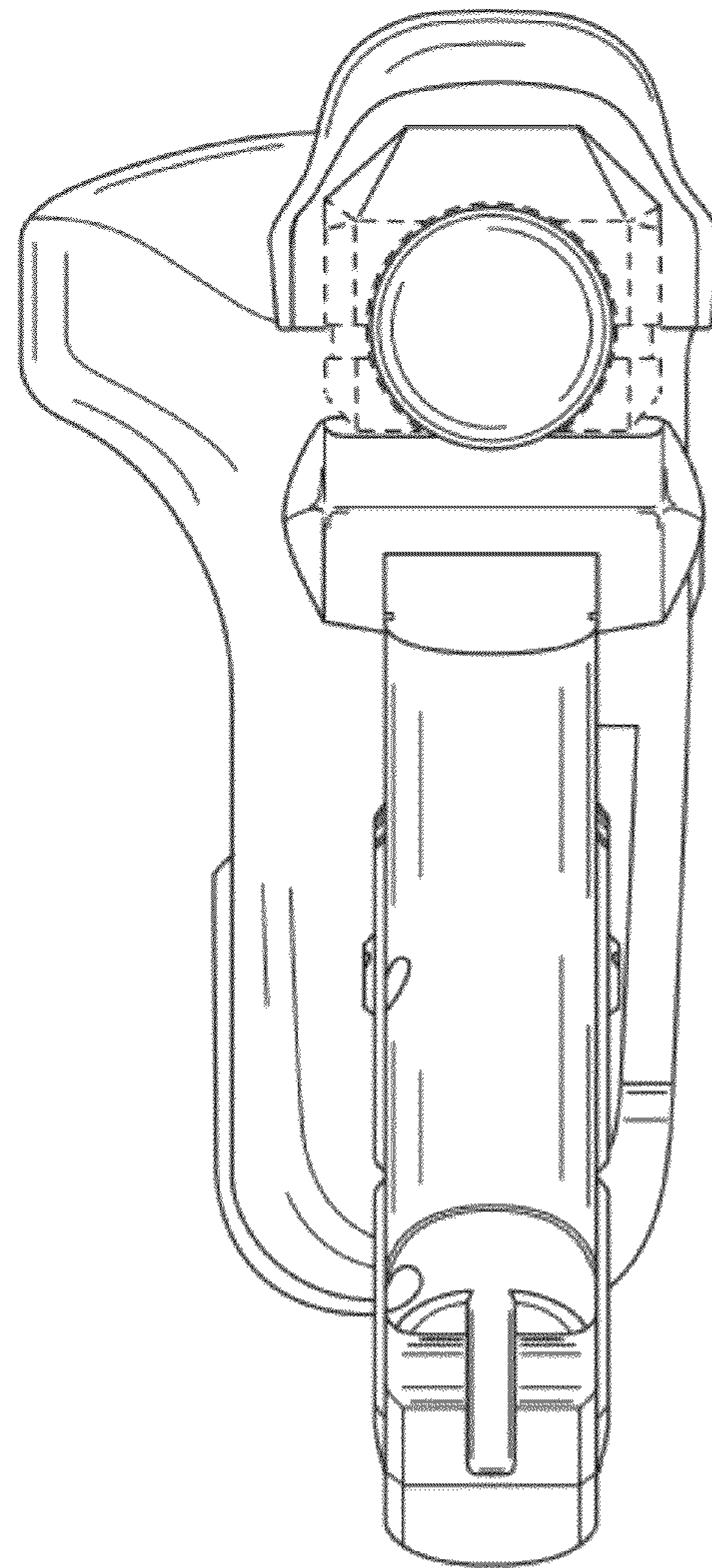


FIG. 3

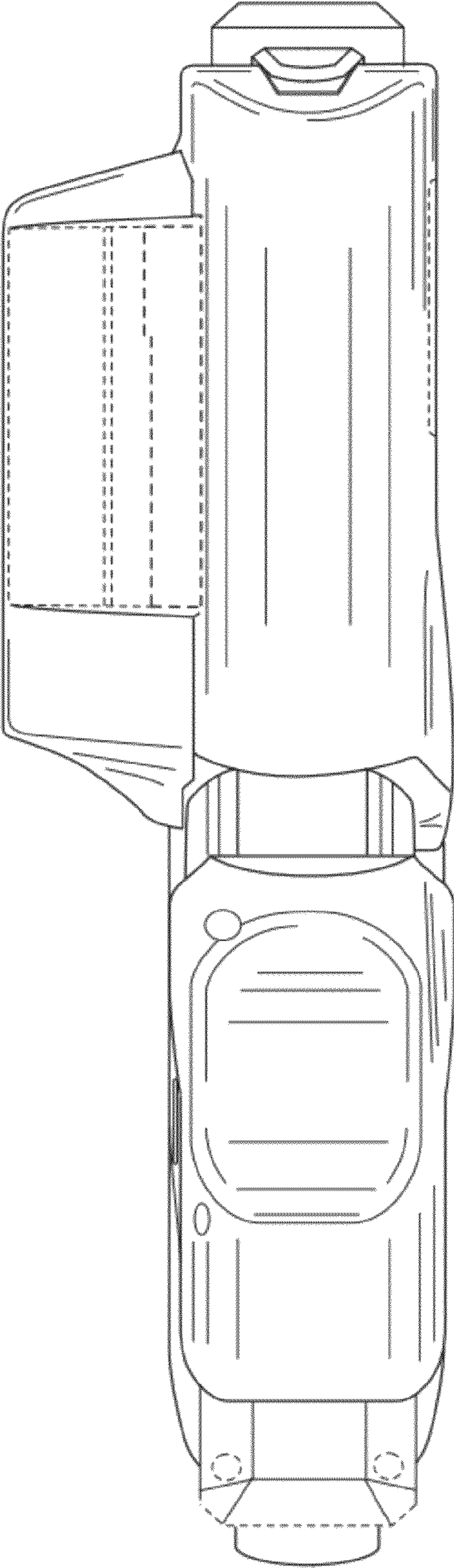


FIG. 4

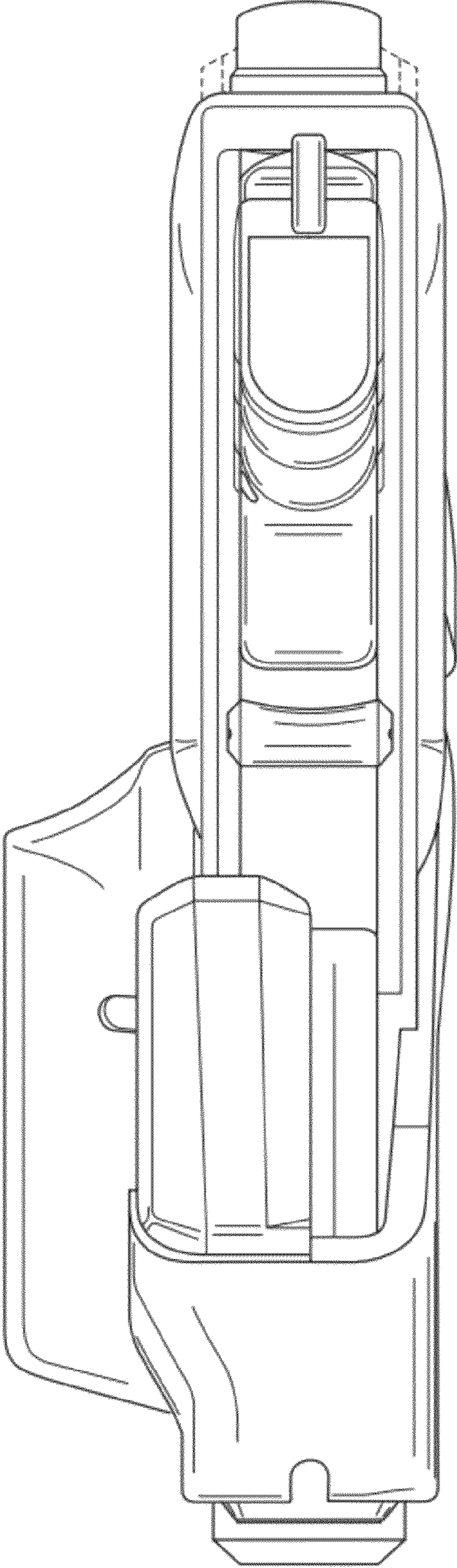


FIG. 5

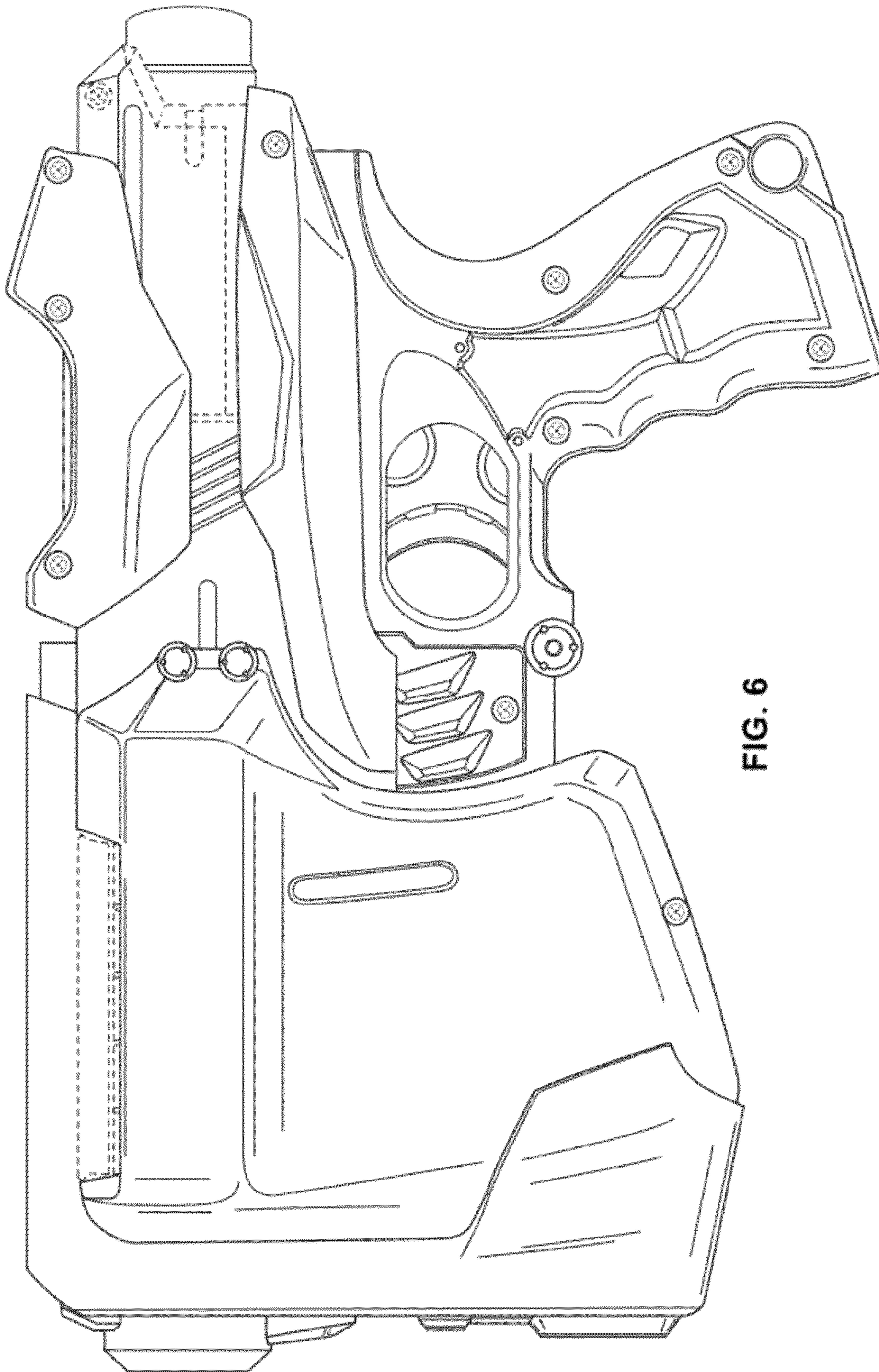


FIG. 6

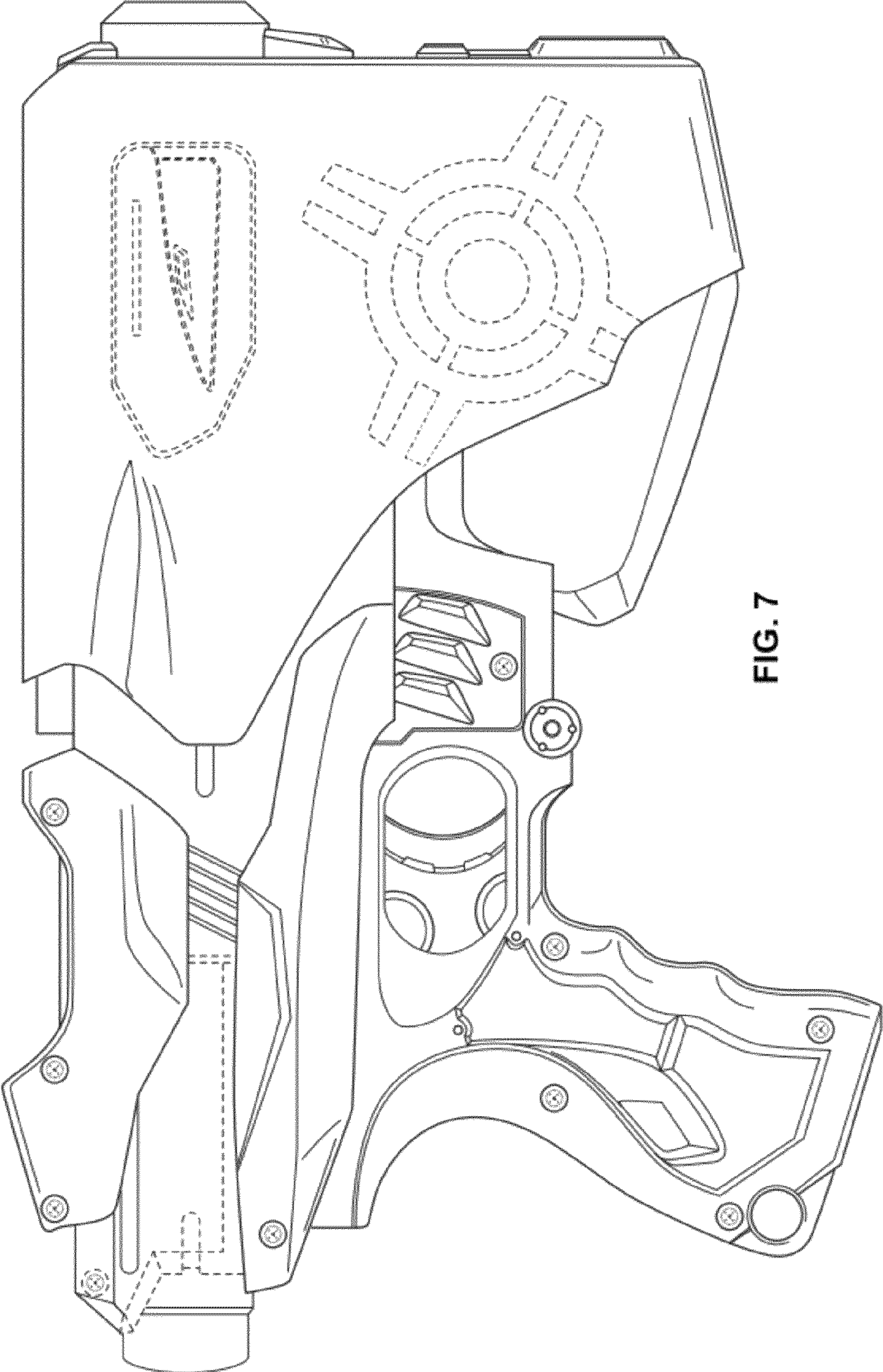


FIG. 7