

US00D664608S

(12) **United States Design Patent**  
**Mead**

(10) **Patent No.:** **US D664,608 S**  
(45) **Date of Patent:** **\*\* Jul. 31, 2012**

(54) **TOY GUN**

(75) **Inventor:** **Raymond Aaron Mead**, Pawtucket, RI (US)

(73) **Assignee:** **Hasbro, Inc.**, Pawtucket, RI (US)

(\*\*) **Term:** **14 Years**

(21) **Appl. No.:** **29/381,343**

(22) **Filed:** **Dec. 17, 2010**

(51) **LOC (9) Cl.** ..... **21-01**

(52) **U.S. Cl.** ..... **D21/574**

(58) **Field of Classification Search** ..... D21/333,  
D21/401, 461, 567, 568, 570-575; D14/418;  
D22/100, 101, 104, 105, 108-110; 124/16,  
124/26, 27, 28, 29, 54, 73-77; 222/78, 79;  
42/54, 57, 58; 446/23, 182, 192, 401, 403,  
446/405-407, 473, 475; D23/223, 226  
See application file for complete search history.

(56) **References Cited**

**U.S. PATENT DOCUMENTS**

961,511 A	6/1910	Marble	
1,374,757 A	4/1921	Napier	
1,441,975 A	1/1923	Edelin	
2,109,589 A	3/1938	Horwitt et al.	
D159,897 S *	8/1950	Benkoe	D23/226
D192,474 S *	3/1962	Tovell	D21/574
D197,570 S *	2/1964	Endris	D21/461
3,968,783 A	7/1976	Pfotenhauer	
4,170,215 A	10/1979	Kettlestrings	
4,248,202 A	2/1981	Jaworski et al.	
4,659,320 A	4/1987	Rich et al.	
D302,848 S *	8/1989	Kao	D23/226
D310,706 S *	9/1990	Heren et al.	D23/226
5,267,549 A	12/1993	Webber	
5,292,134 A	3/1994	Schlundt et al.	
D347,464 S *	5/1994	Kingston et al.	D23/223
5,377,656 A	1/1995	Lewinski et al.	
5,433,646 A	7/1995	Tarng	
5,471,967 A	12/1995	Matsuzaki et al.	
D370,713 S *	6/1996	Guo	D23/223
5,529,050 A	6/1996	D'Andrade	

5,605,140 A	2/1997	Griffin	
5,611,322 A	3/1997	Matsuzaki et al.	
D386,543 S *	11/1997	Chikui et al.	D14/418
D387,128 S *	12/1997	Wang	D23/223
5,711,285 A	1/1998	Stewart et al.	
D400,954 S *	11/1998	Ealovega	D22/104
5,996,564 A	12/1999	Kotowski	
6,224,457 B1	5/2001	Wu	
D447,217 S *	8/2001	Jacobs et al.	D23/226
D447,790 S *	9/2001	Heren et al.	D23/226
D463,509 S *	9/2002	Huang	D21/572
6,598,329 B1	7/2003	Alexander	
D479,306 S *	9/2003	Chen	D23/226
D487,797 S *	3/2004	Chen	D23/226
D489,098 S *	4/2004	Byrd	D21/574
6,733,356 B2	5/2004	Lee	
7,287,526 B1	10/2007	Bligh et al.	
7,418,797 B1	9/2008	Croze	
7,437,847 B1	10/2008	Mabry	
7,552,557 B1	6/2009	Mabry	
7,673,624 B2	3/2010	Rosella, Jr.	
2006/0242880 A1	11/2006	Griffin	

\* cited by examiner

*Primary Examiner* — Cynthia M Chin

(74) *Attorney, Agent, or Firm* — Perry Hoffman

(57) **CLAIM**

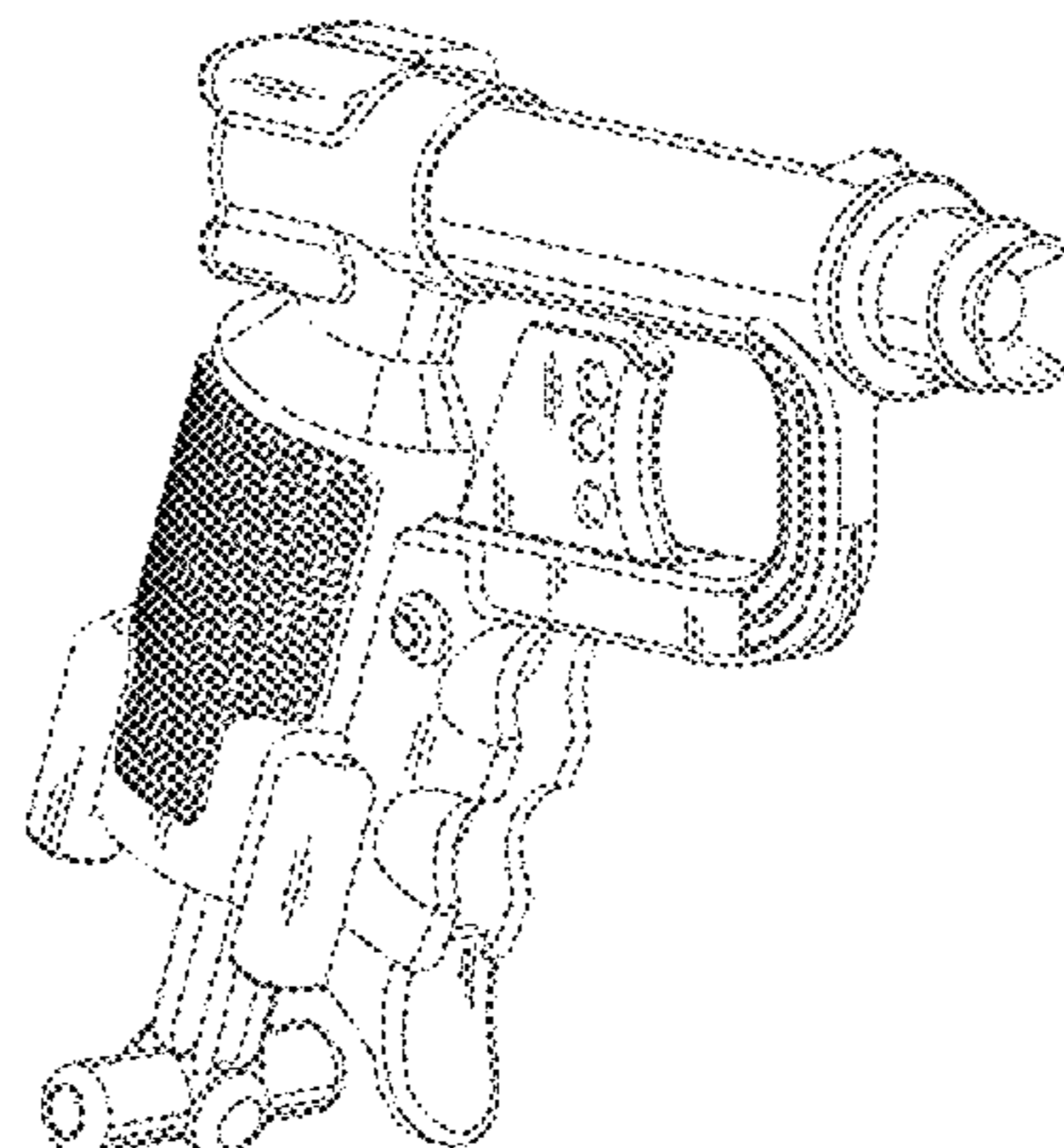
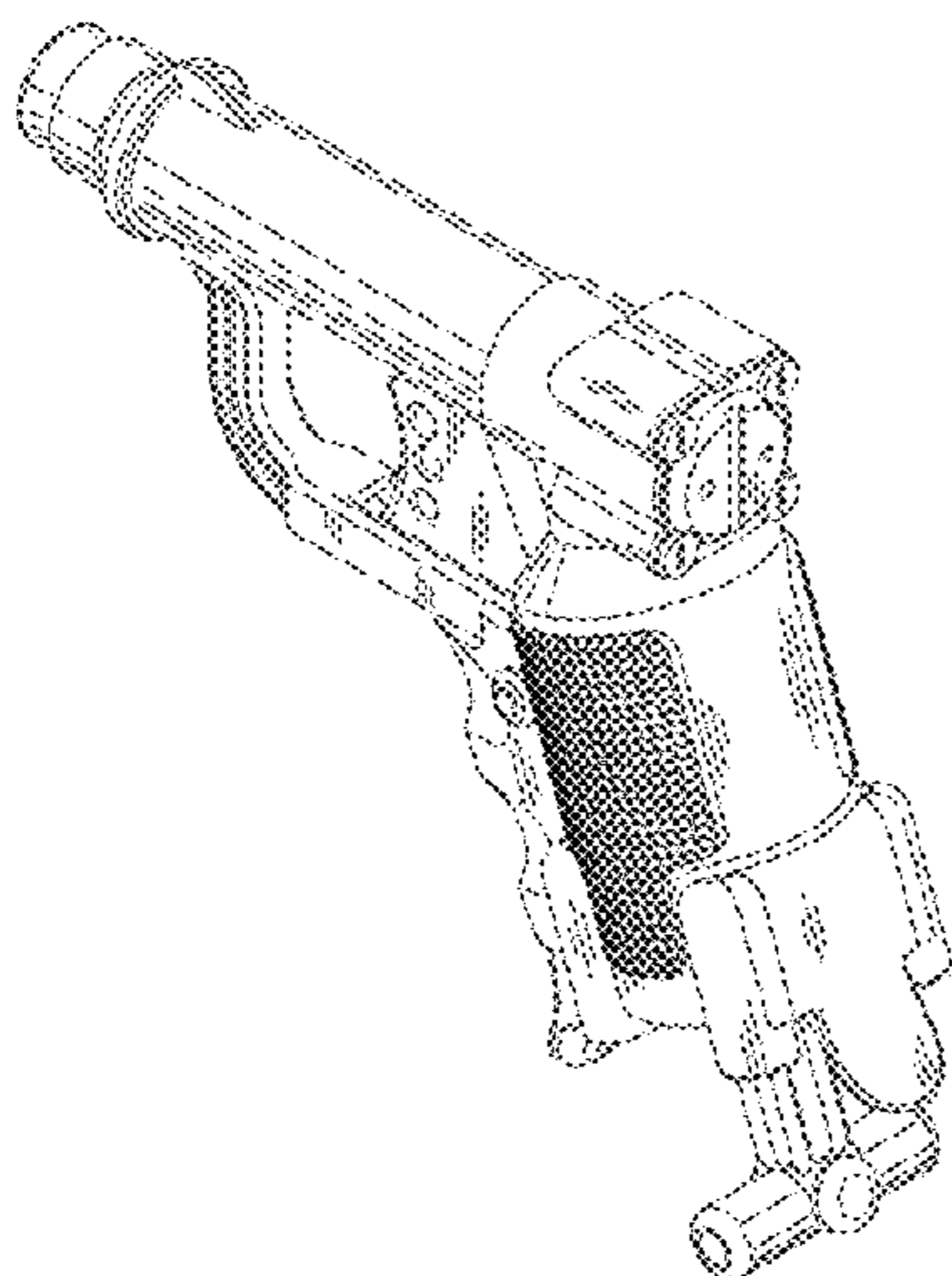
The ornamental design for a toy gun, as shown and described.

**DESCRIPTION**

FIG. 1 is a right, top, rear perspective view of the toy gun of the instant invention;  
FIG. 2 is a left, front perspective view thereof;  
FIG. 3 is a right side elevational view thereof;  
FIG. 4 is a left side elevational view thereof;  
FIG. 5 is a front view thereof;  
FIG. 6 is a rear view thereof;  
FIG. 7 is a top view thereof; and,  
FIG. 8 is a bottom view thereof.

The broken lines shown are included for the purpose of illustrating portions of the article that form no part of the claimed design.

**1 Claim, 6 Drawing Sheets**



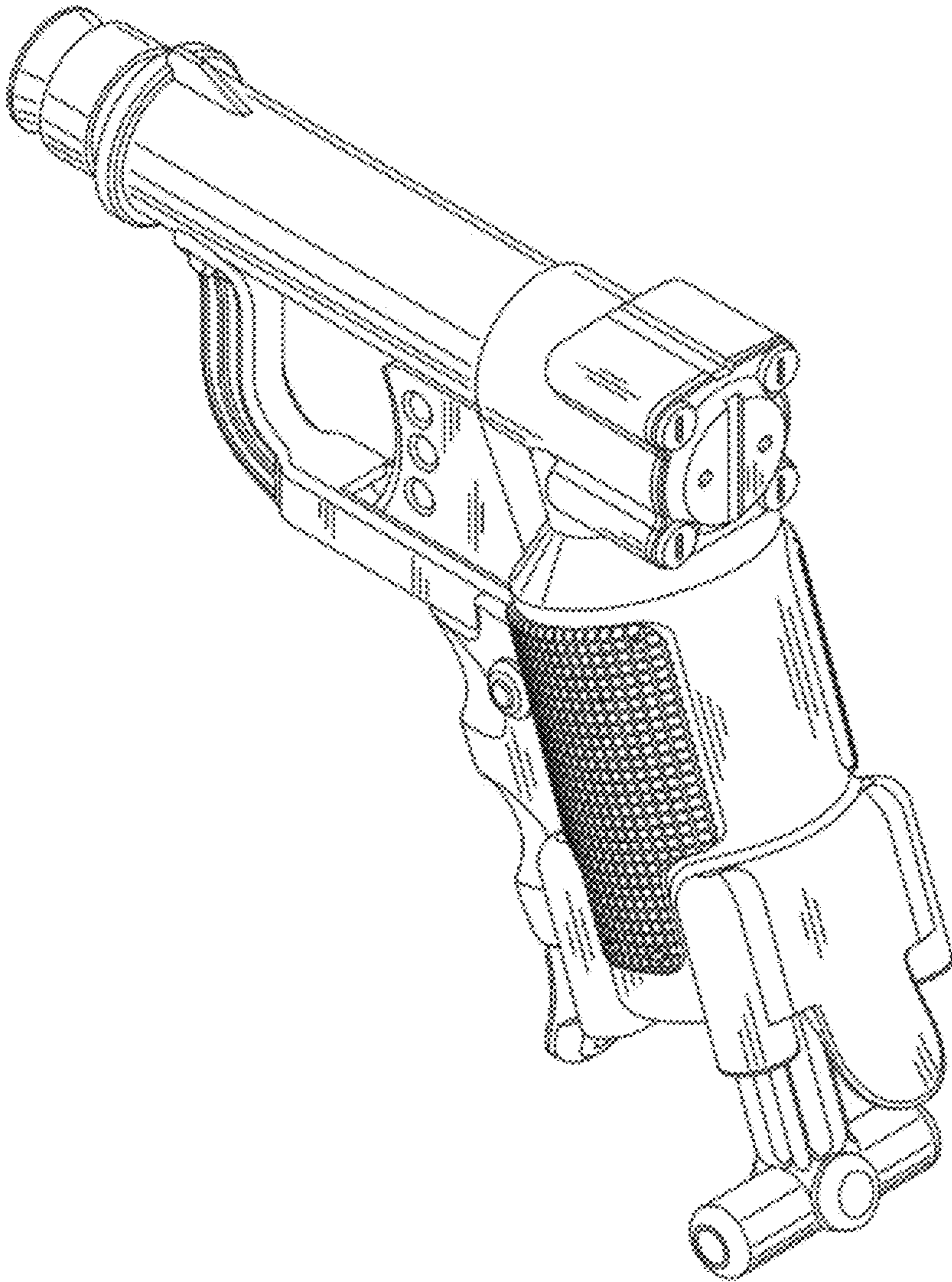


FIG. 1



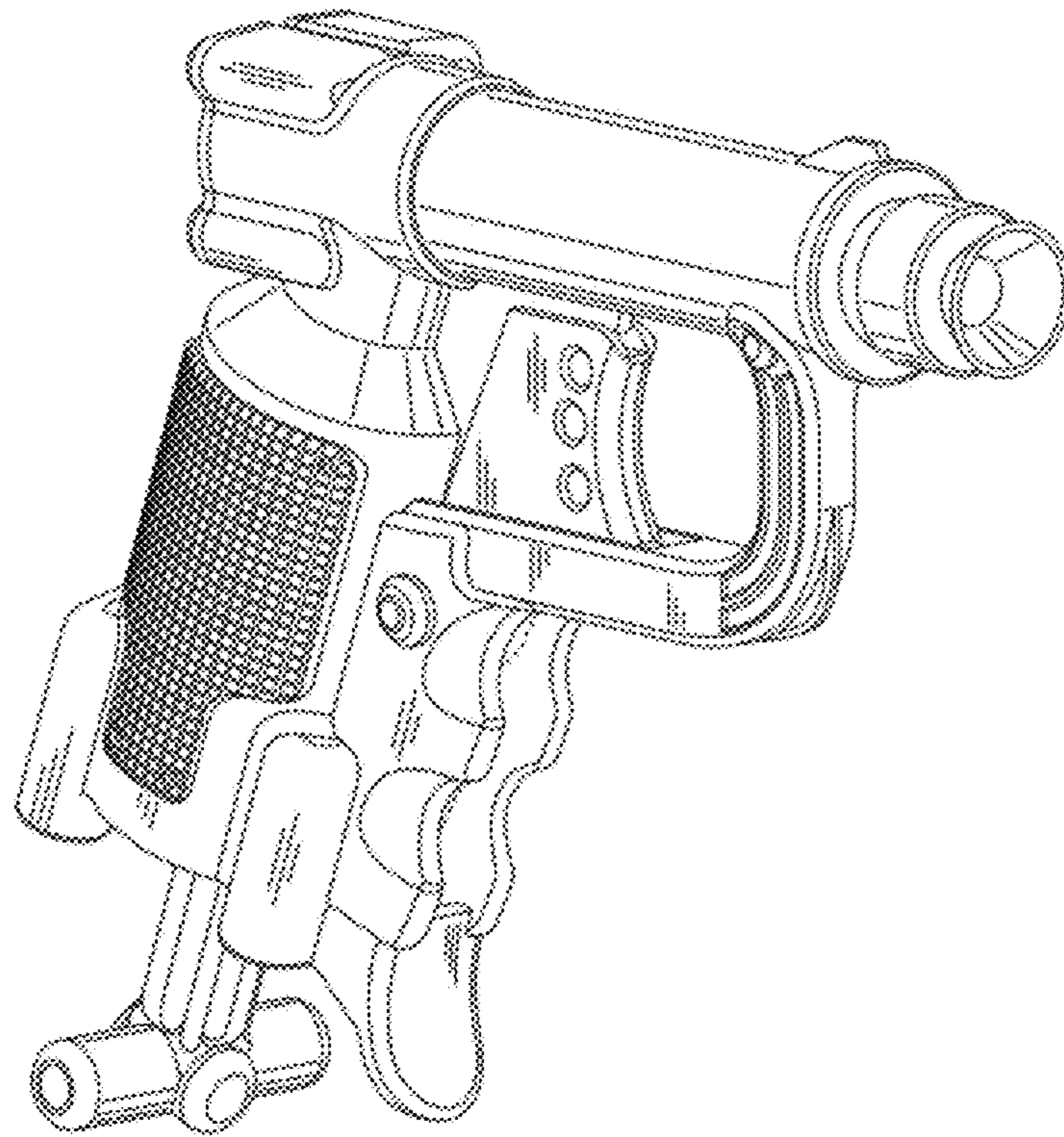


FIG. 2

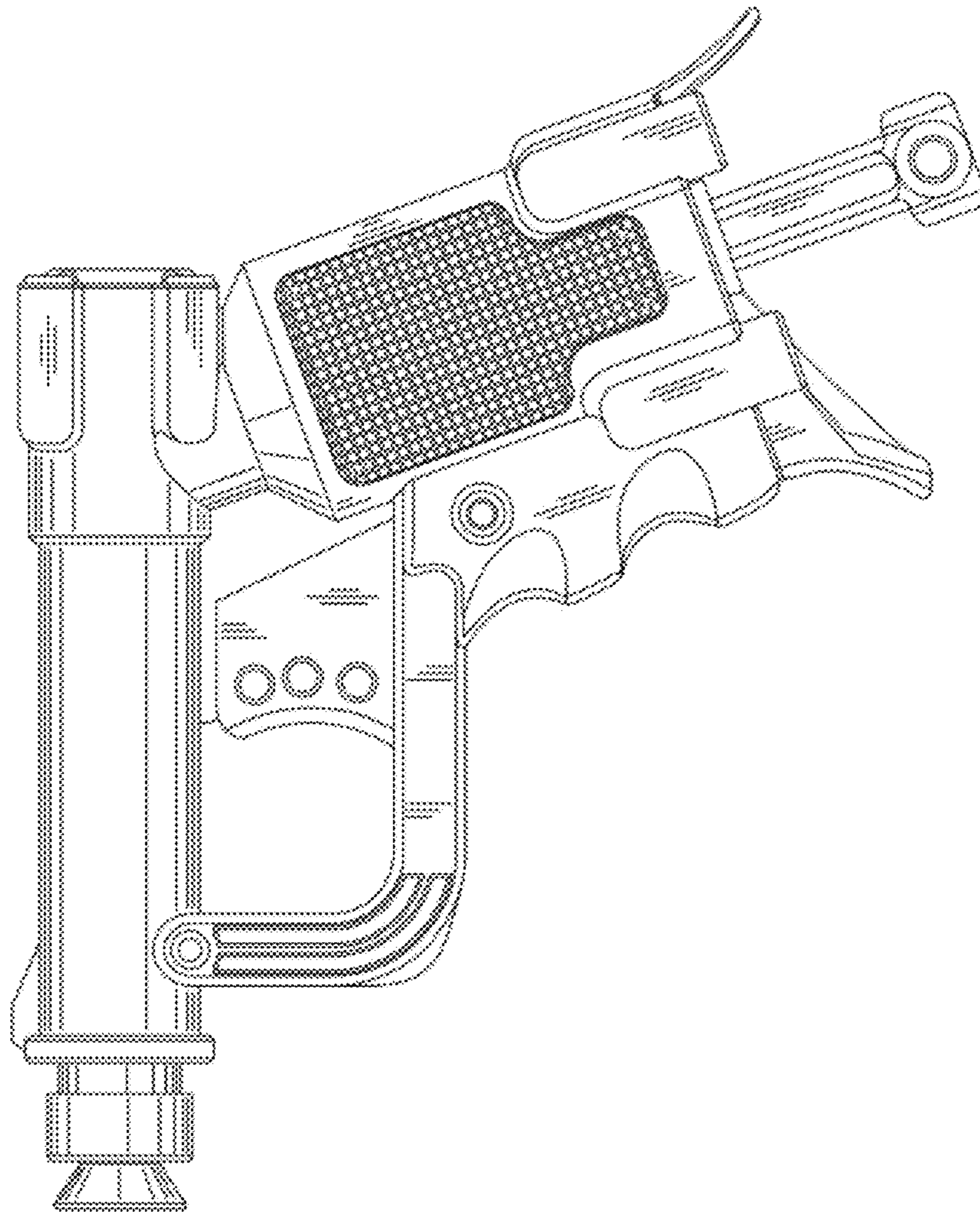


FIG. 3

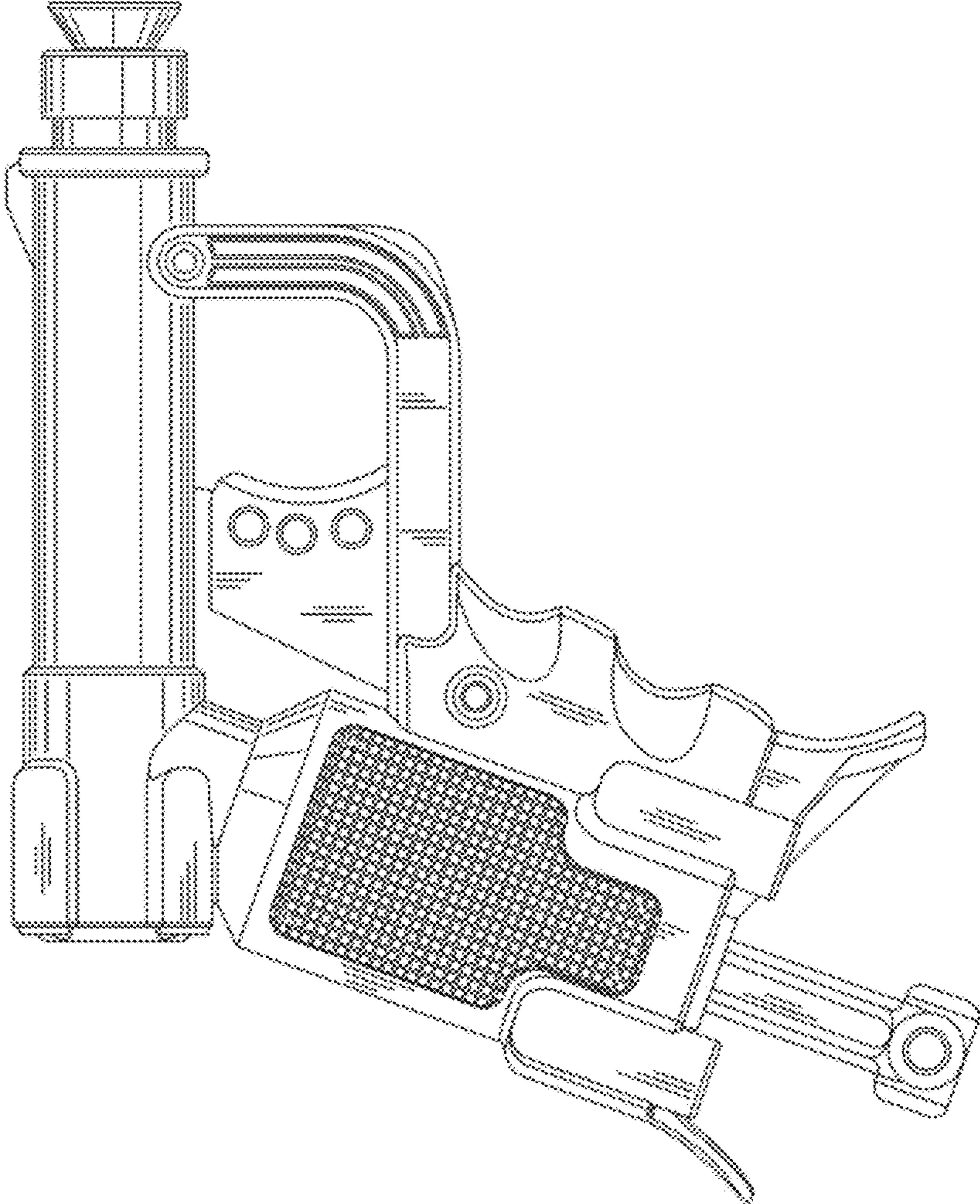


FIG. 4



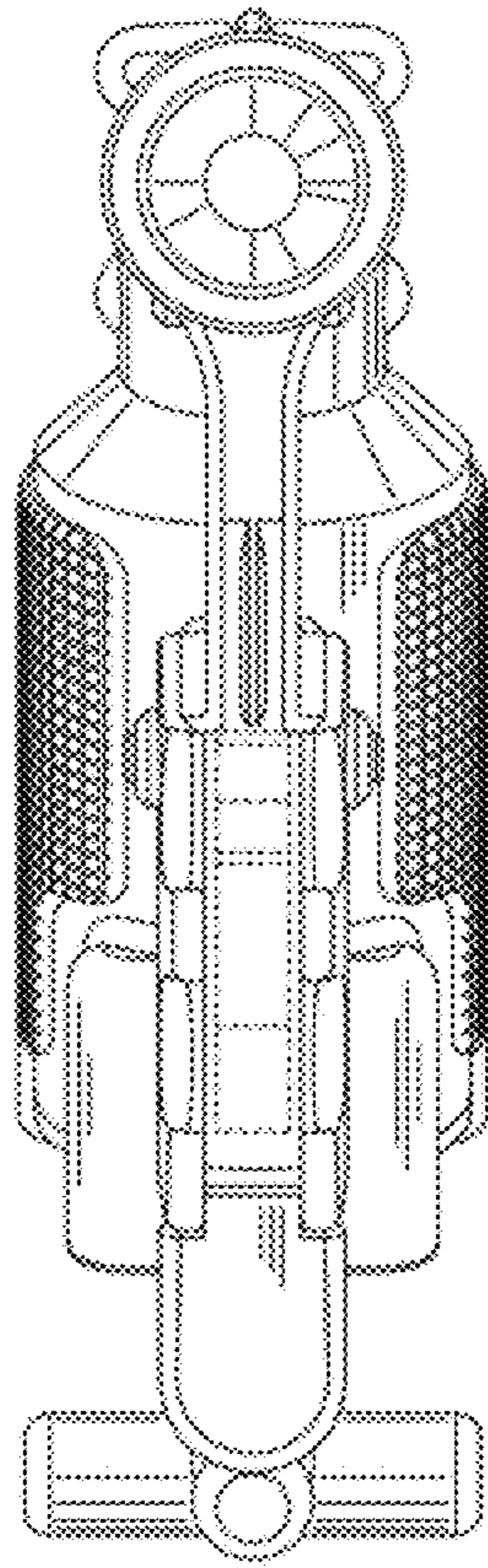


FIG. 5

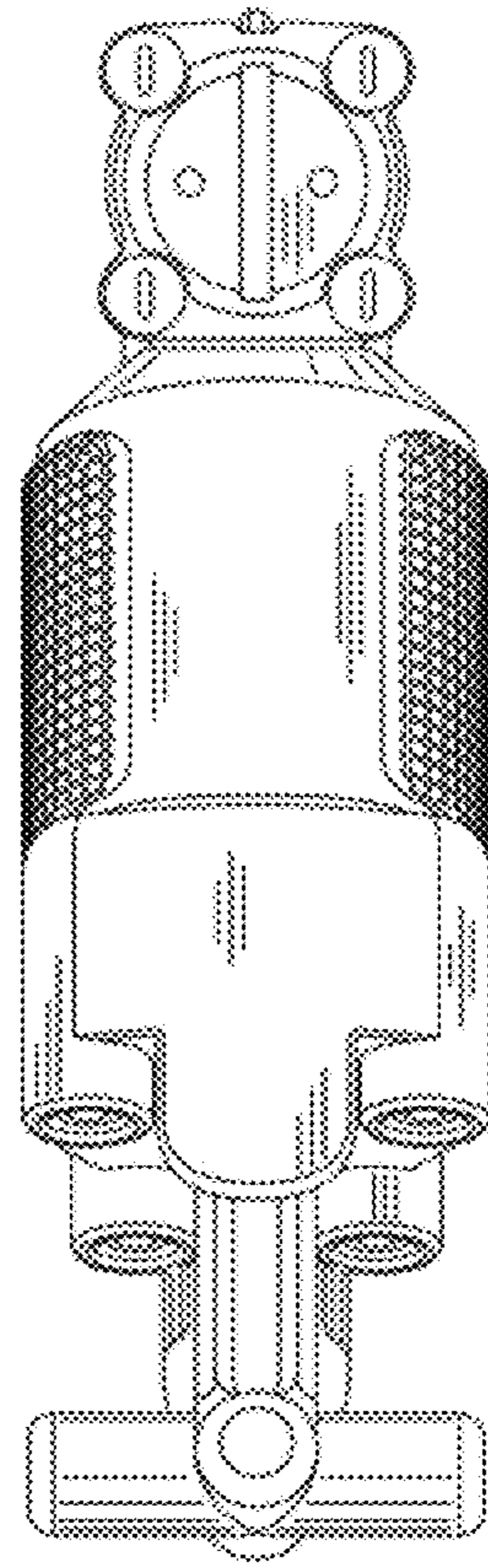


FIG. 6

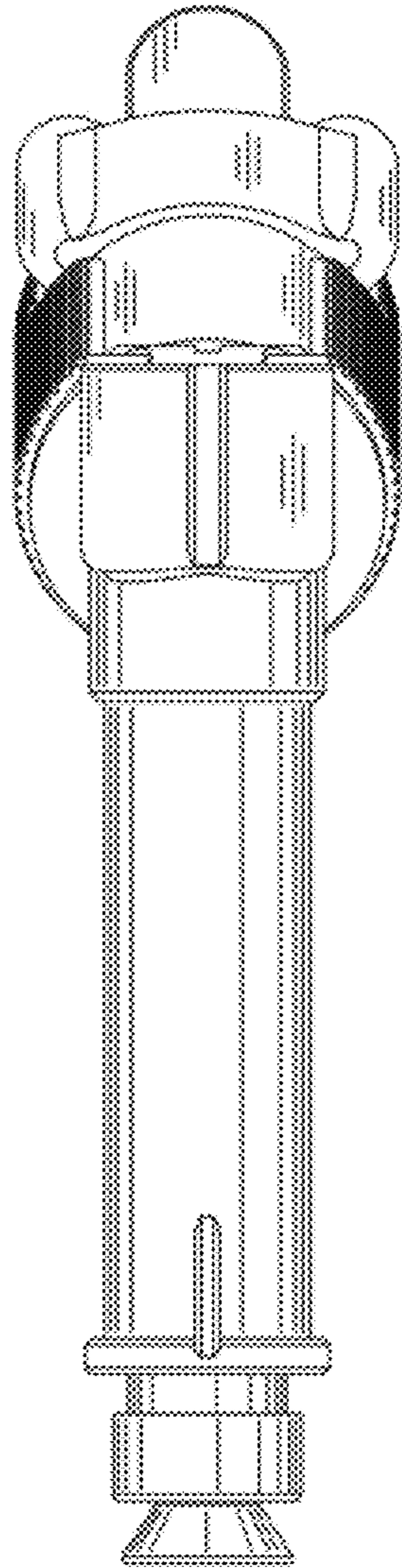


FIG. 7

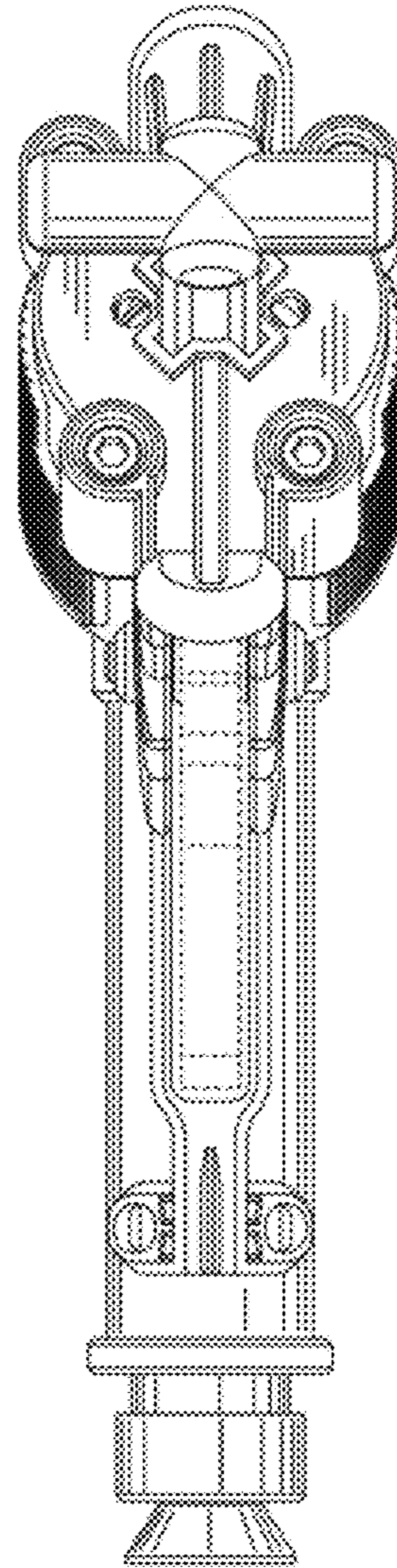


FIG. 8