



US00D664605S

(12) **United States Design Patent**
Mead

(10) **Patent No.:** **US D664,605 S**
(45) **Date of Patent:** **** Jul. 31, 2012**

(54) **TOY GUN**
(75) **Inventor:** **Raymond Aaron Mead**, Pawtucket, RI (US)
(73) **Assignee:** **Hasbro, Inc.**, Pawtucket, RI (US)
(**) **Term:** **14 Years**
(21) **Appl. No.:** **29/355,199**
(22) **Filed:** **Feb. 4, 2010**
(51) **LOC (9) Cl.** **21-01**
(52) **U.S. Cl.** **D21/573**
(58) **Field of Classification Search** D21/401, D21/567, 570-575; D22/100, 103, 104, D22/105; D23/231; 446/175, 176, 180, 446/473; 222/78, 79; 239/211, 222.11, 237, 239/329, 373, 394, 525, 526; 124/63-65, 124/69, 73-75
See application file for complete search history.

D516,660 S * 3/2006 Murello et al. D22/103
D517,152 S * 3/2006 Murello et al. D22/103
7,100,592 B1 9/2006 Yang
7,114,493 B2 10/2006 Marsac
7,156,085 B2 1/2007 Lewis et al.
7,191,775 B1 3/2007 Lo
D542,877 S * 5/2007 Murello et al. D22/103
D557,355 S * 12/2007 Higuchi et al. D21/572
7,458,371 B2 12/2008 Ong et al.
D588,212 S * 3/2009 Stadlbauer D21/572
D588,652 S * 3/2009 Stadlbauer D21/572
D606,614 S * 12/2009 Fitzpatrick et al. D22/103
D635,619 S * 4/2011 Nadel D21/573
D638,887 S * 5/2011 En D21/573
D639,352 S * 6/2011 Chan D21/572
D648,811 S * 11/2011 En D21/573
2008/0078369 A1 4/2008 Yeung

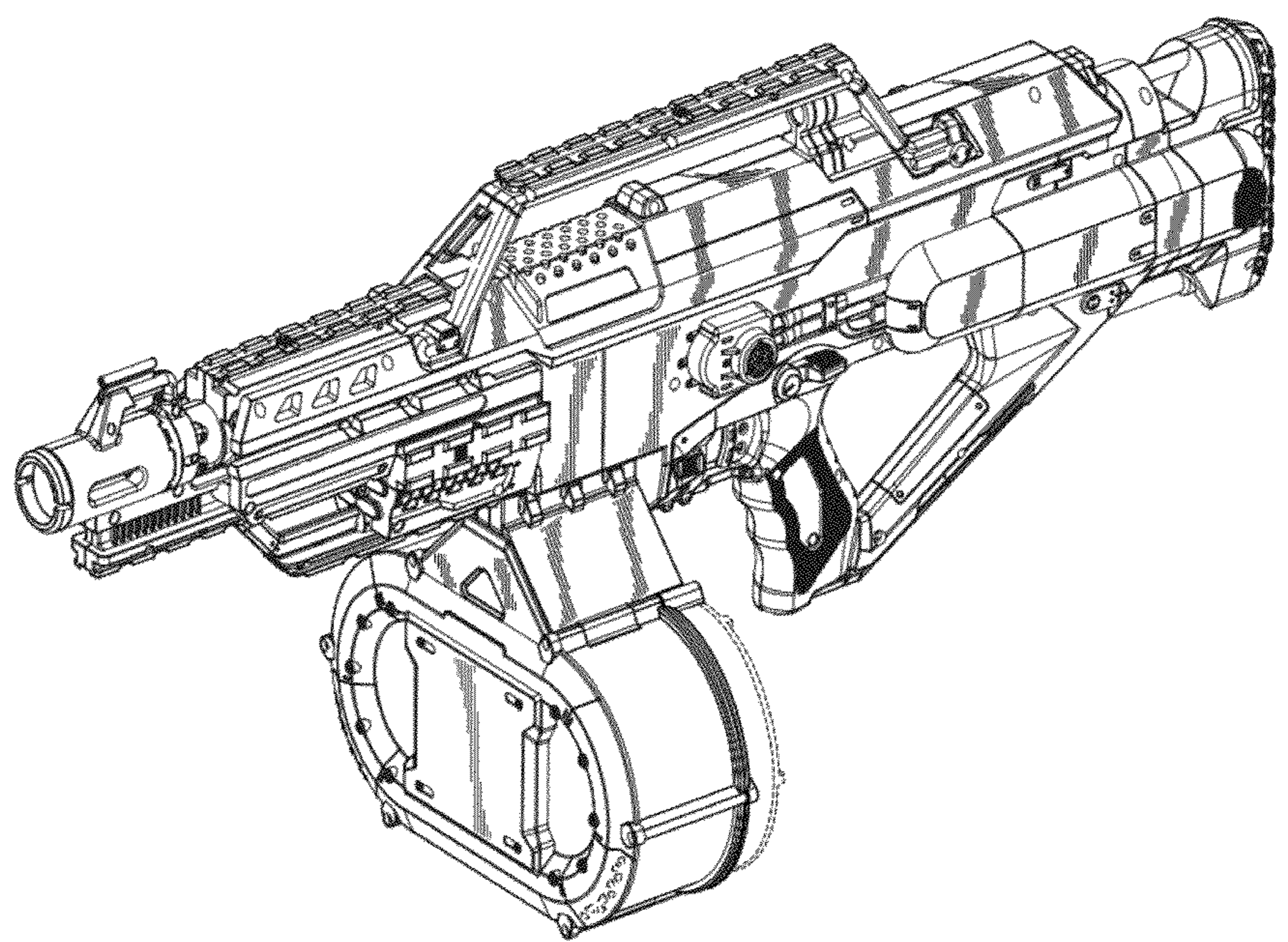
* cited by examiner

Primary Examiner — Cynthia M Chin
(74) *Attorney, Agent, or Firm* — Perry Hoffman

(57) **CLAIM**
The ornamental design for a toy gun, as shown and described.

(56) **References Cited**
U.S. PATENT DOCUMENTS
4,843,751 A 7/1989 Ferri
5,186,156 A 2/1993 Clayton
5,323,755 A 6/1994 Hsieh
5,522,374 A 6/1996 Clayton
5,529,050 A 6/1996 D'Andrade
5,531,210 A 7/1996 Meiser et al.
5,680,853 A 10/1997 Clayton
5,787,869 A 8/1998 Johnson et al.
5,791,326 A 8/1998 Brown et al.
D441,039 S * 4/2001 Greenberg et al. D21/572
6,250,294 B1 6/2001 Lim
6,439,216 B1 8/2002 Johnson et al.
6,564,788 B1 5/2003 Hu
D485,872 S * 1/2004 Yaschur D21/572

DESCRIPTION
FIG. 1 is a perspective view of the toy gun of the instant invention;
FIG. 2 is a left side elevational view thereof;
FIG. 3 is a right side elevational view thereof;
FIG. 4 is a top end view thereof;
FIG. 5 is a bottom end view thereof;
FIG. 6 is a front elevation view thereof; and,
FIG. 7 is a rear elevation view thereof.
The portions shown in broken lines are included for the purpose of illustrating portions of the article that form no part of the claimed design.
1 Claim, 6 Drawing Sheets



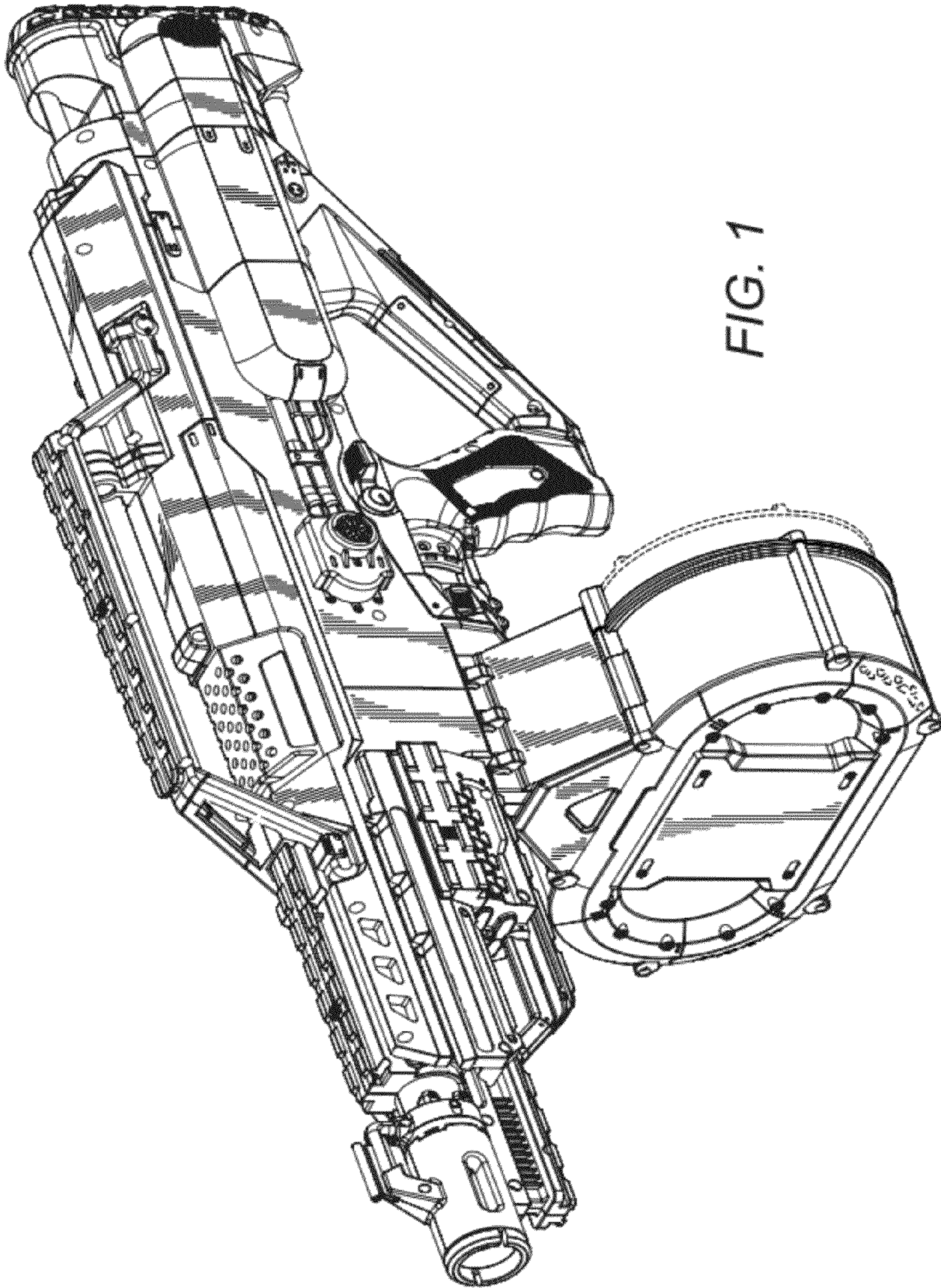


FIG. 1

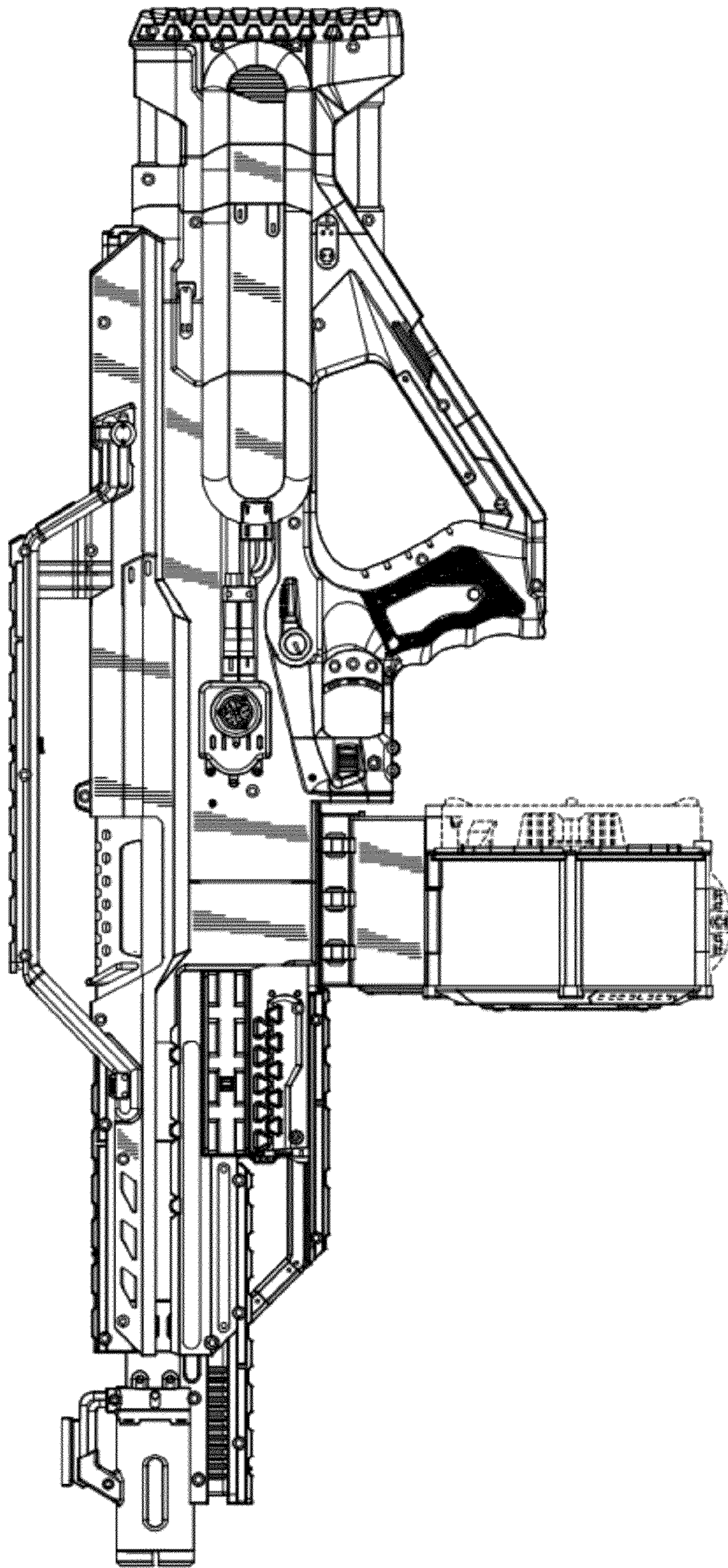


FIG. 2

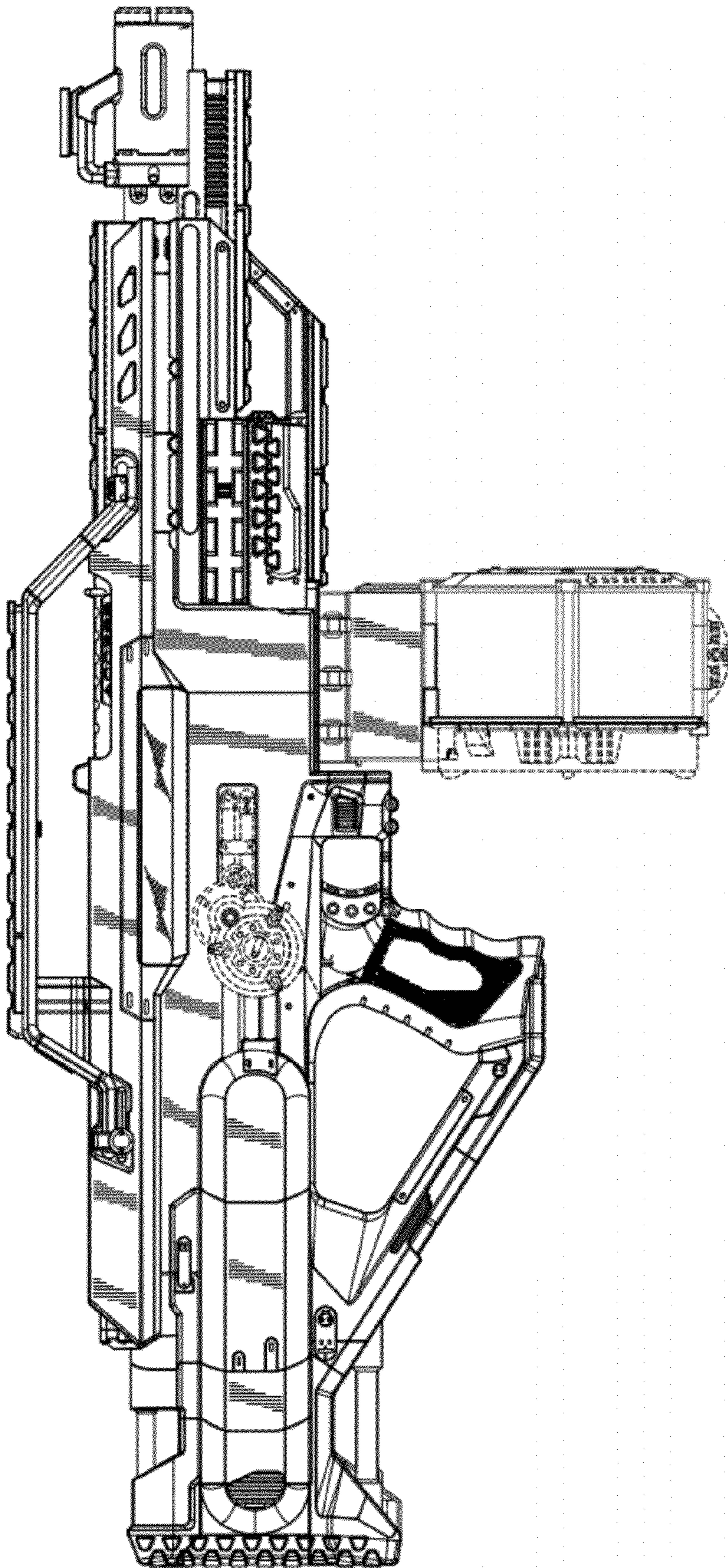


FIG. 3

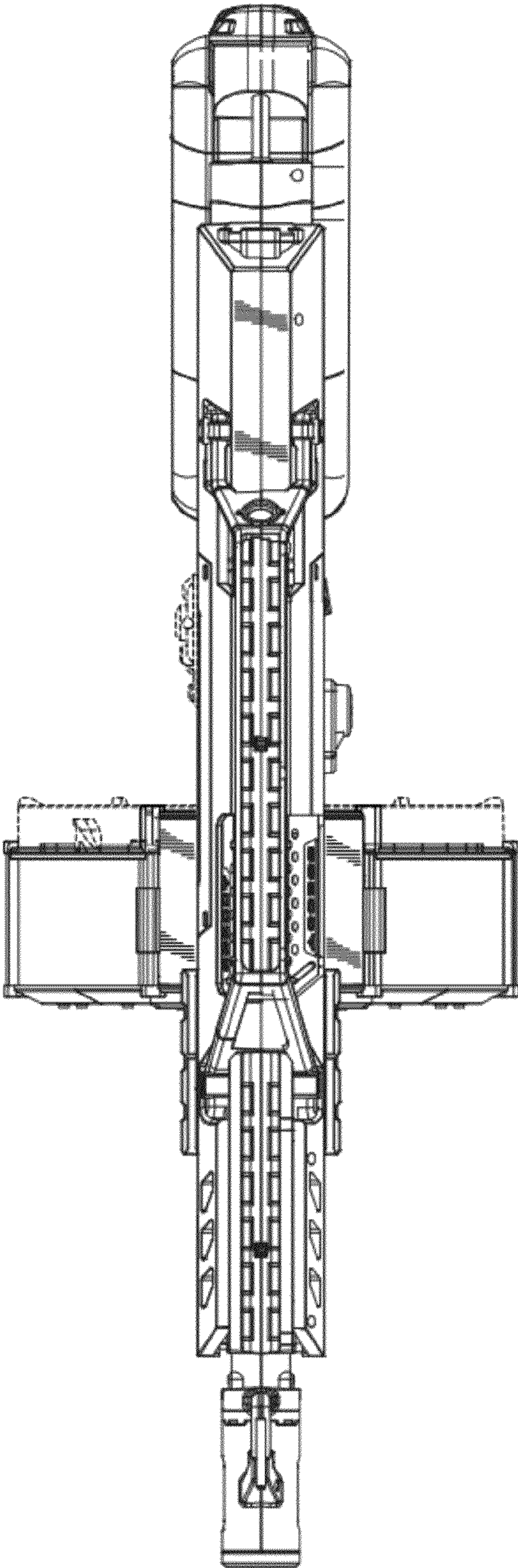


FIG. 4

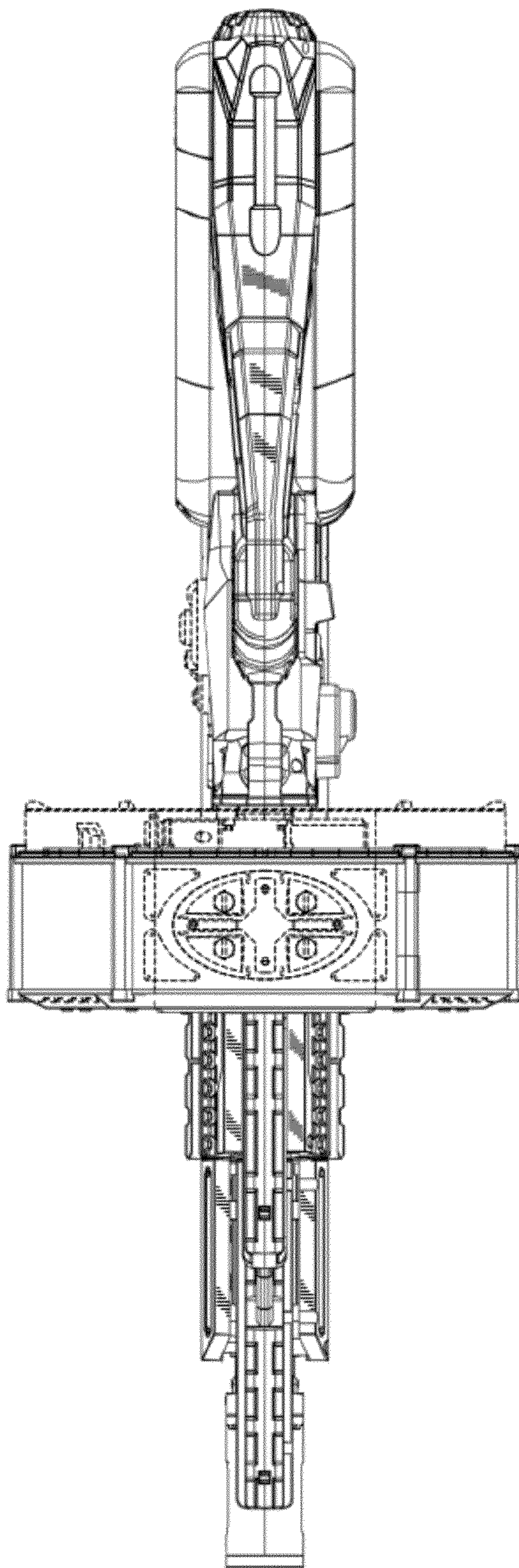


FIG. 5

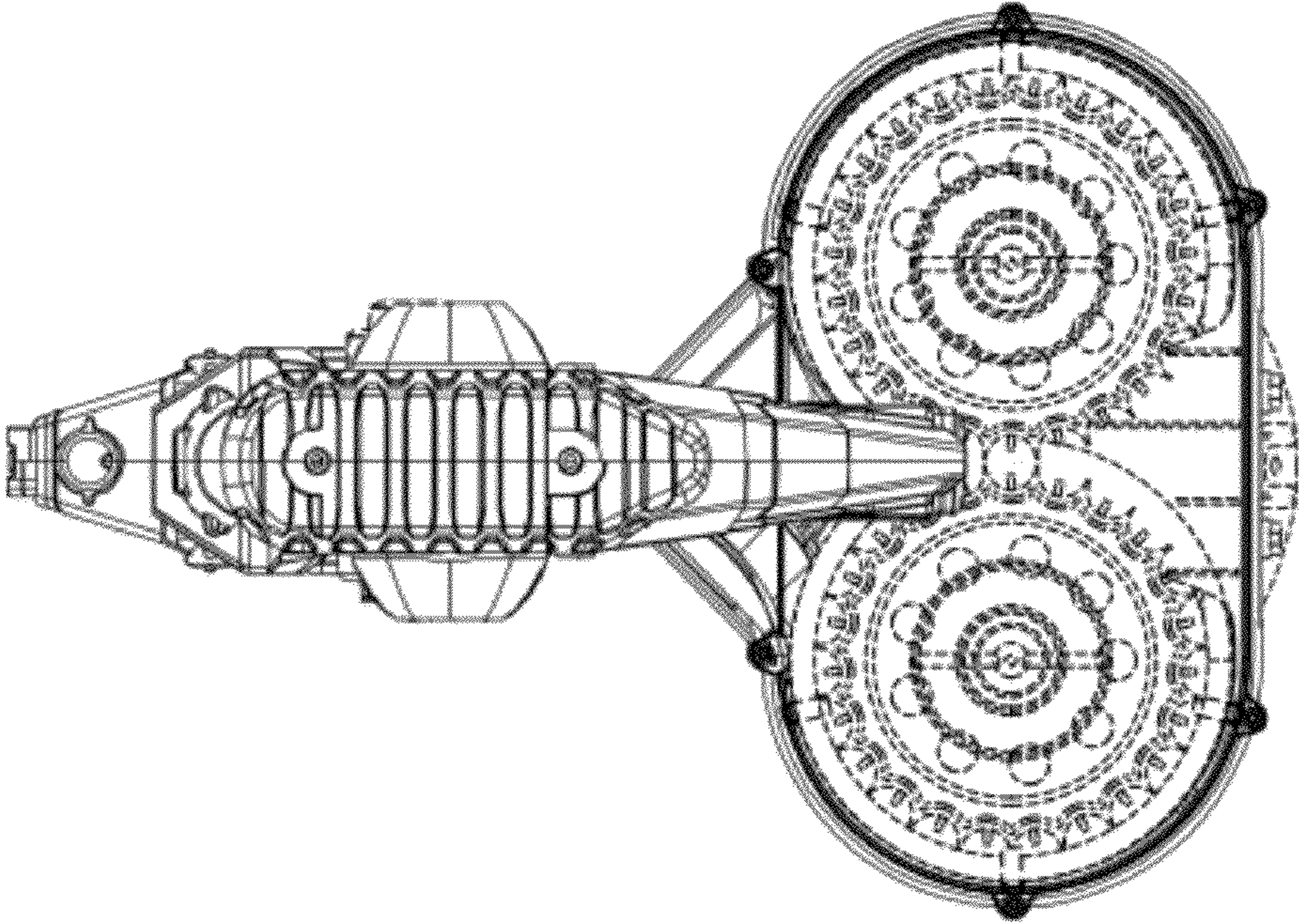


FIG. 7

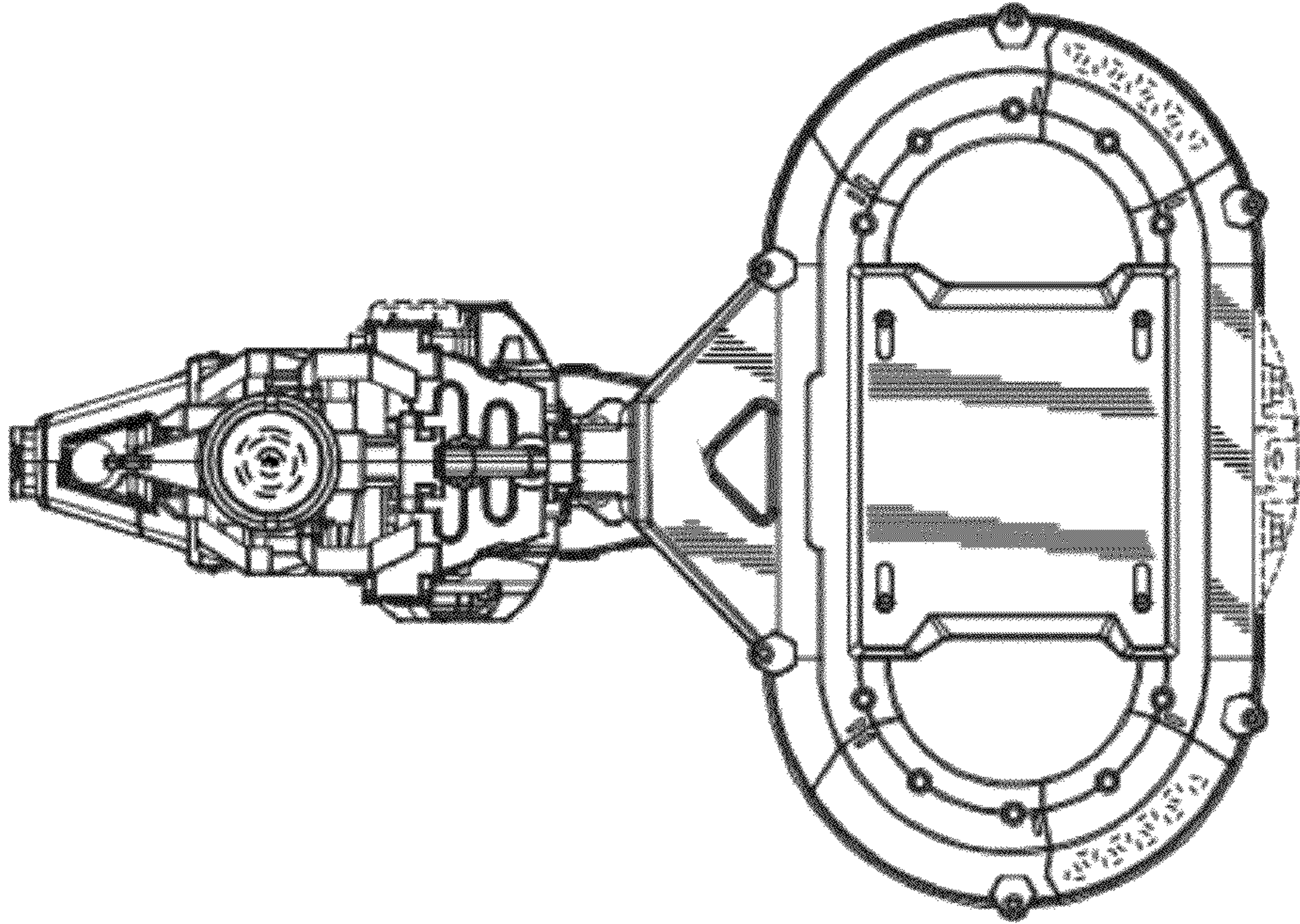


FIG. 6