



US00D664604S

(12) **United States Design Patent**
Greiner

(10) **Patent No.:** **US D664,604 S**
(45) **Date of Patent:** **** Jul. 31, 2012**

(54) **TOY PROJECTILE LAUNCHER APPARATUS**

(75) **Inventor:** **Joshua H. Greiner**, Columbus, OH (US)

(73) **Assignee:** **Hasbro, Inc.**, Pawtucket, RI (US)

(**) **Term:** **14 Years**

(21) **Appl. No.:** **29/402,774**

(22) **Filed:** **Sep. 27, 2011**

(51) **LOC (9) Cl.** **07-02**

(52) **U.S. Cl.** **D21/570**

(58) **Field of Classification Search** D21/454,
D21/455, 569, 570; 124/45, 56, 65, 66, 78;
446/39, 435; 42/12

See application file for complete search history.

5,611,321 A *	3/1997	Hoeting et al.	124/6
5,611,322 A	3/1997	Matsuzaki et al.	
5,711,285 A	1/1998	Stewart et al.	
5,996,564 A	12/1999	Kotowski	
D429,504 S *	8/2000	Hornsby et al.	D21/572
6,224,457 B1	5/2001	Wu	
6,598,329 B1	7/2003	Alexander	
6,733,356 B2	5/2004	Lee	
7,287,526 B1	10/2007	Bligh et al.	
7,418,797 B1	9/2008	Cröse	
7,437,847 B1	10/2008	Mabry	
7,552,557 B1	6/2009	Mabry	
7,578,290 B2 *	8/2009	Mitchell	124/62
7,673,624 B2	3/2010	Rosella, Jr.	
2006/0242880 A1	11/2006	Griffin	
2008/0022990 A1 *	1/2008	Mitchell	124/65
2010/0282227 A1 *	11/2010	Vanek	124/27

* cited by examiner

Primary Examiner — Cynthia M Chin

(74) *Attorney, Agent, or Firm* — Perry Hoffman

(56) **References Cited**

U.S. PATENT DOCUMENTS

961,511 A	6/1910	Marble	
1,374,757 A	4/1921	Napier	
1,441,975 A	1/1923	Edelin	
2,109,589 A	3/1938	Horwitt et al.	
D186,179 S *	9/1959	Parker	D21/454
D207,172 S *	3/1967	Ryan	D21/573
3,968,783 A	7/1976	Pfotenhauer	
4,170,215 A	10/1979	Kettlestrings	
4,248,202 A	2/1981	Jaworski et al.	
4,659,320 A	4/1987	Rich et al.	
5,267,549 A	12/1993	Webber	
D344,108 S *	2/1994	Shirai et al.	D21/573
5,292,134 A	3/1994	Schlundt et al.	
D352,976 S *	11/1994	Hsieh	D21/573
D353,170 S *	12/1994	Shirai et al.	D14/418
5,377,656 A	1/1995	Lewinski et al.	
5,433,646 A	7/1995	Targ	
5,471,967 A	12/1995	Matsuzaki et al.	
5,529,050 A	6/1996	D'Andrade	
5,605,140 A	2/1997	Griffin	

(57) **CLAIM**

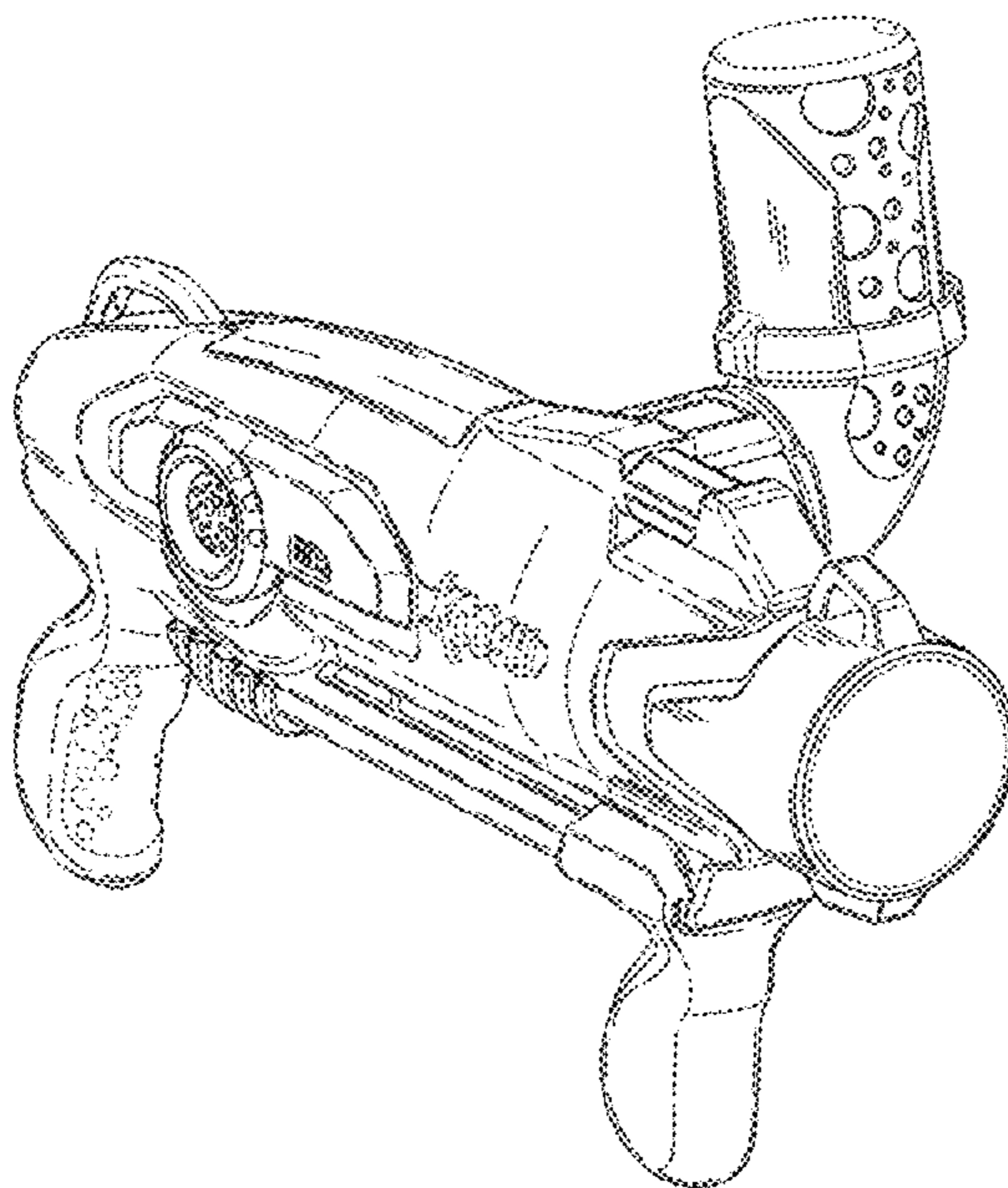
The ornamental design for a toy projectile launcher apparatus, as shown and described.

DESCRIPTION

FIG. 1 is a perspective view of the toy projectile launcher apparatus of the instant invention;
FIG. 2 is a right side elevational view thereof;
FIG. 3 is a left side elevational view thereof;
FIG. 4 is a front view thereof;
FIG. 5 is a rear view thereof;
FIG. 6 is a top view thereof; and,
FIG. 7 is a bottom view thereof.

The broken lines shown are included for the purpose of illustrating the unclaimed portions of the article and form no part of the claimed design.

1 Claim, 4 Drawing Sheets



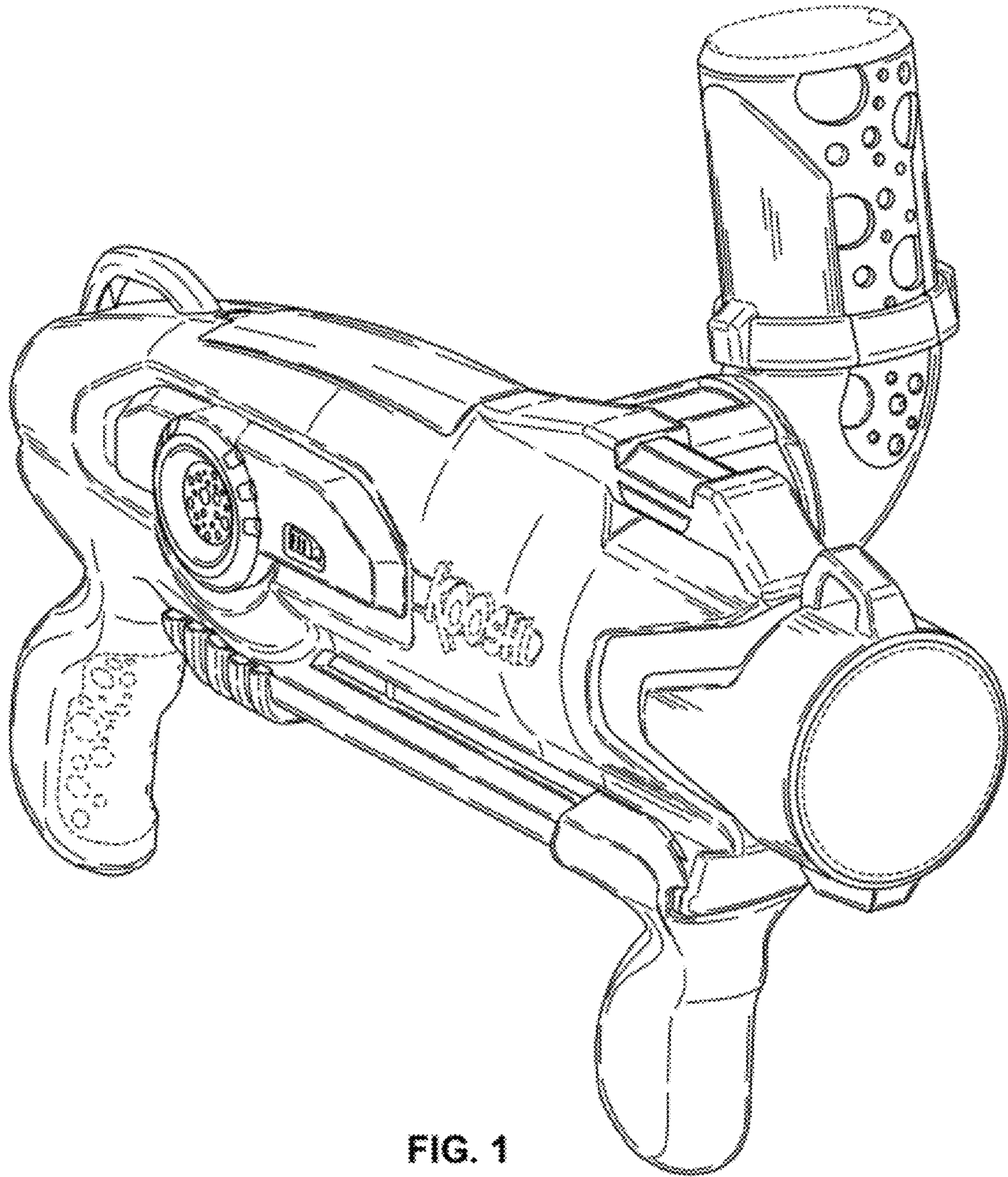


FIG. 1

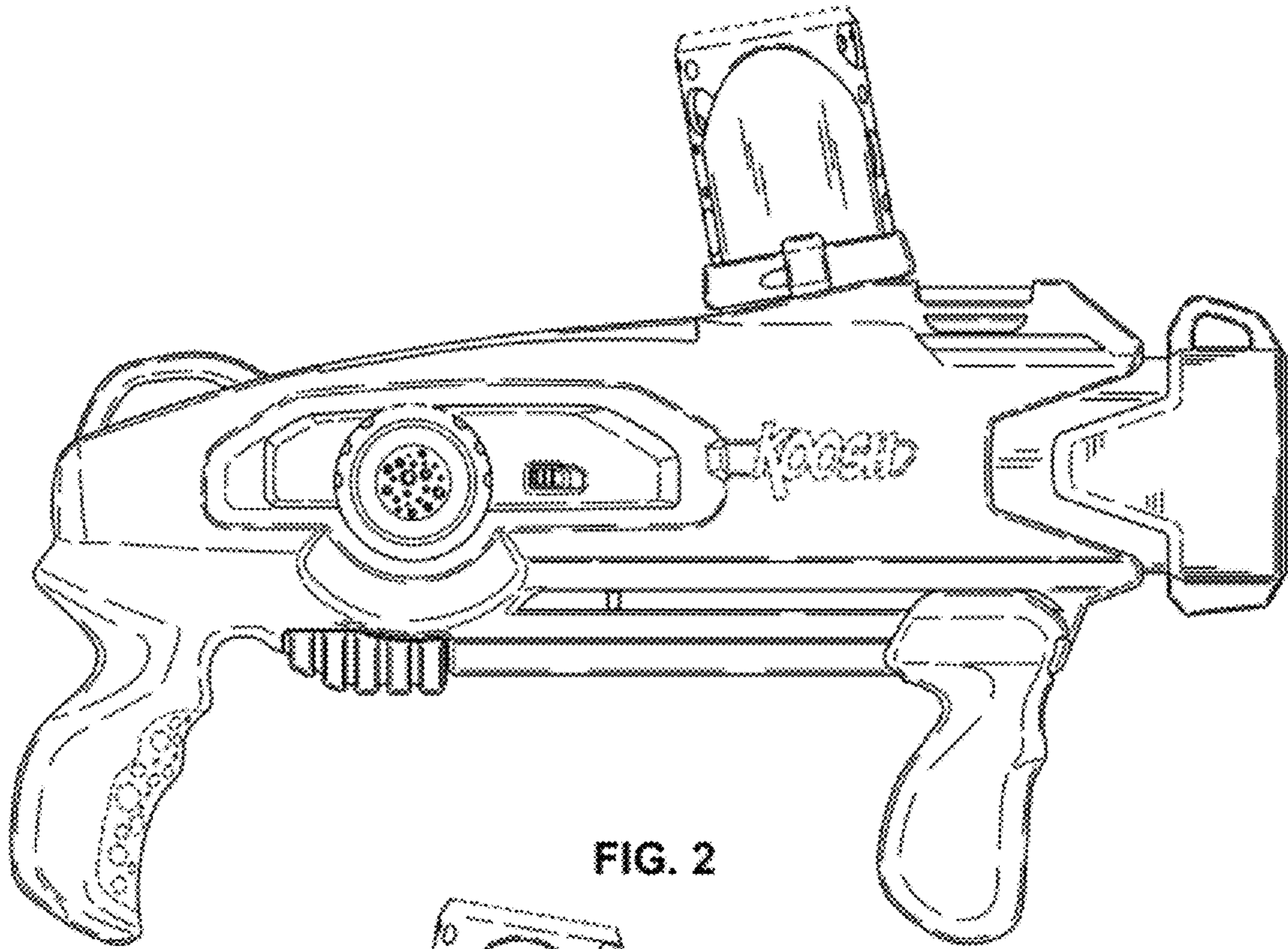


FIG. 2

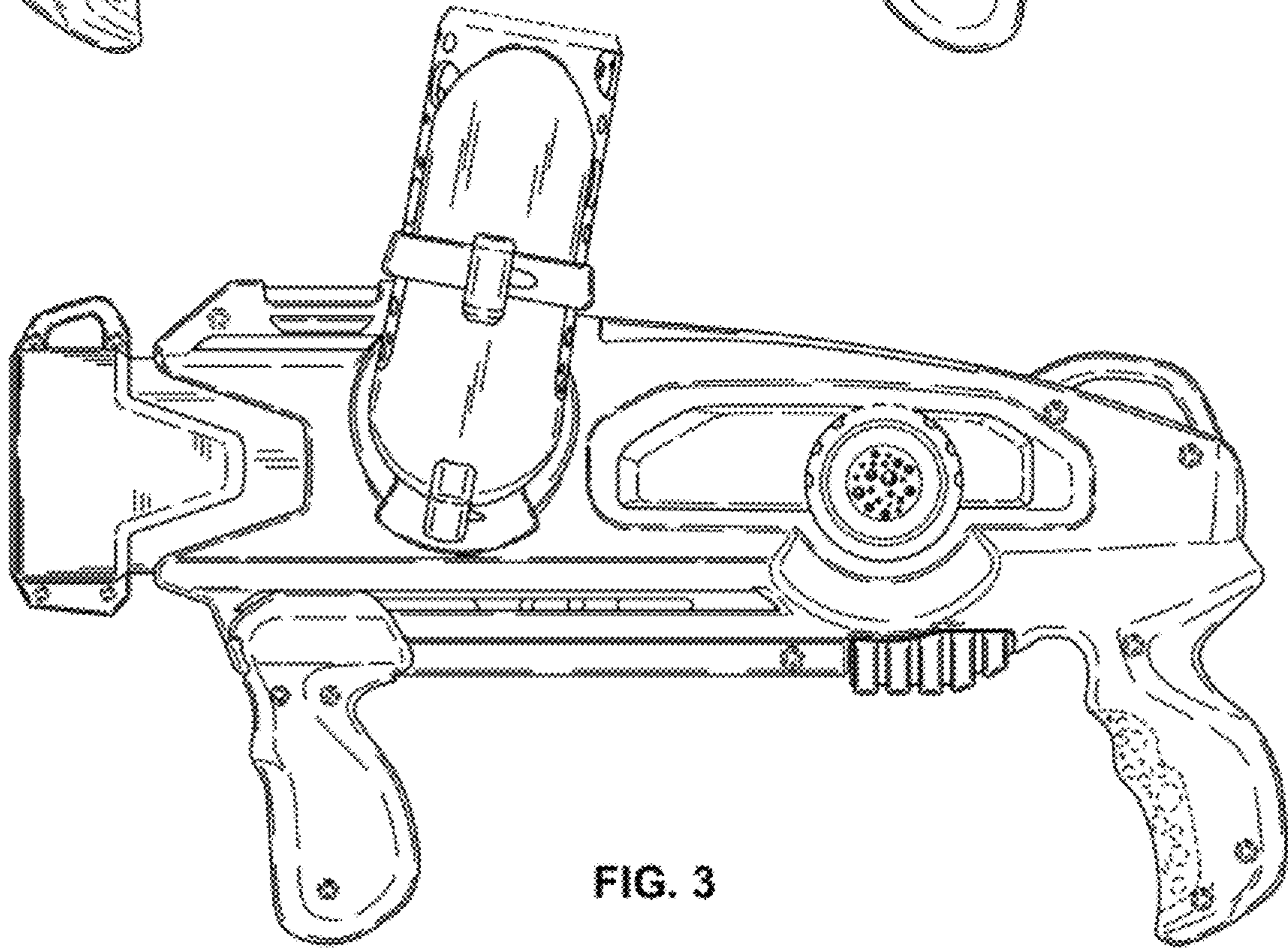


FIG. 3

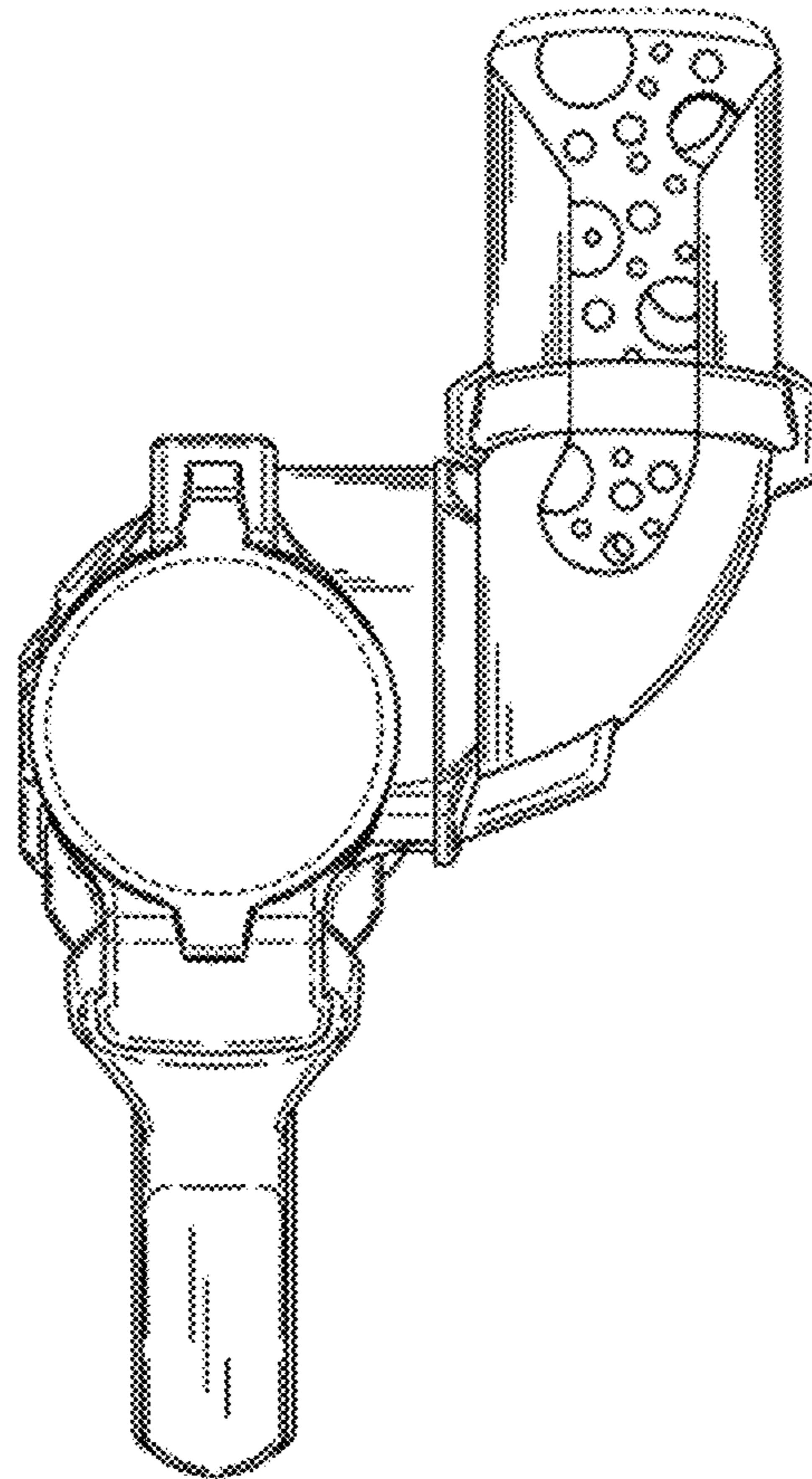


FIG. 4

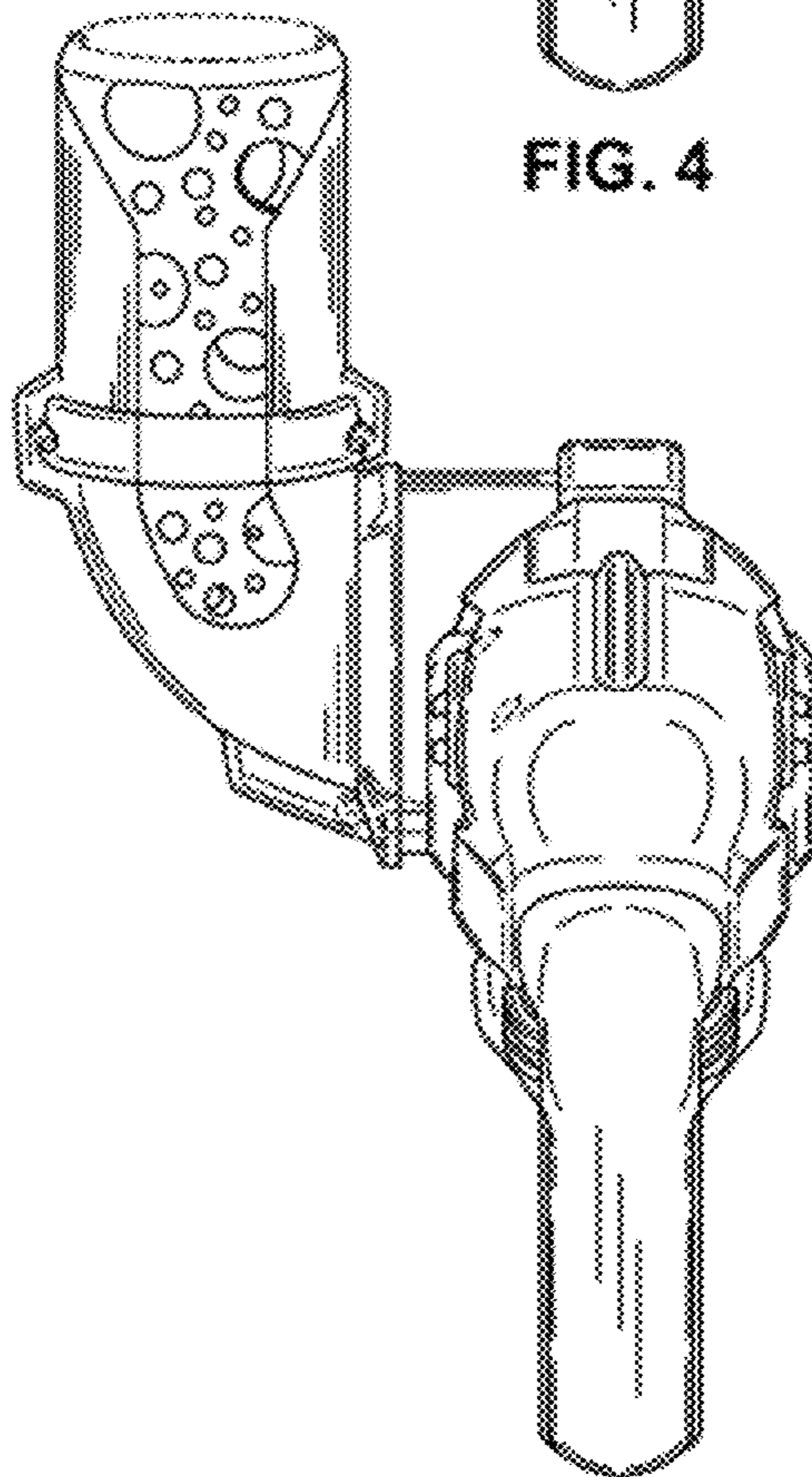


FIG. 5

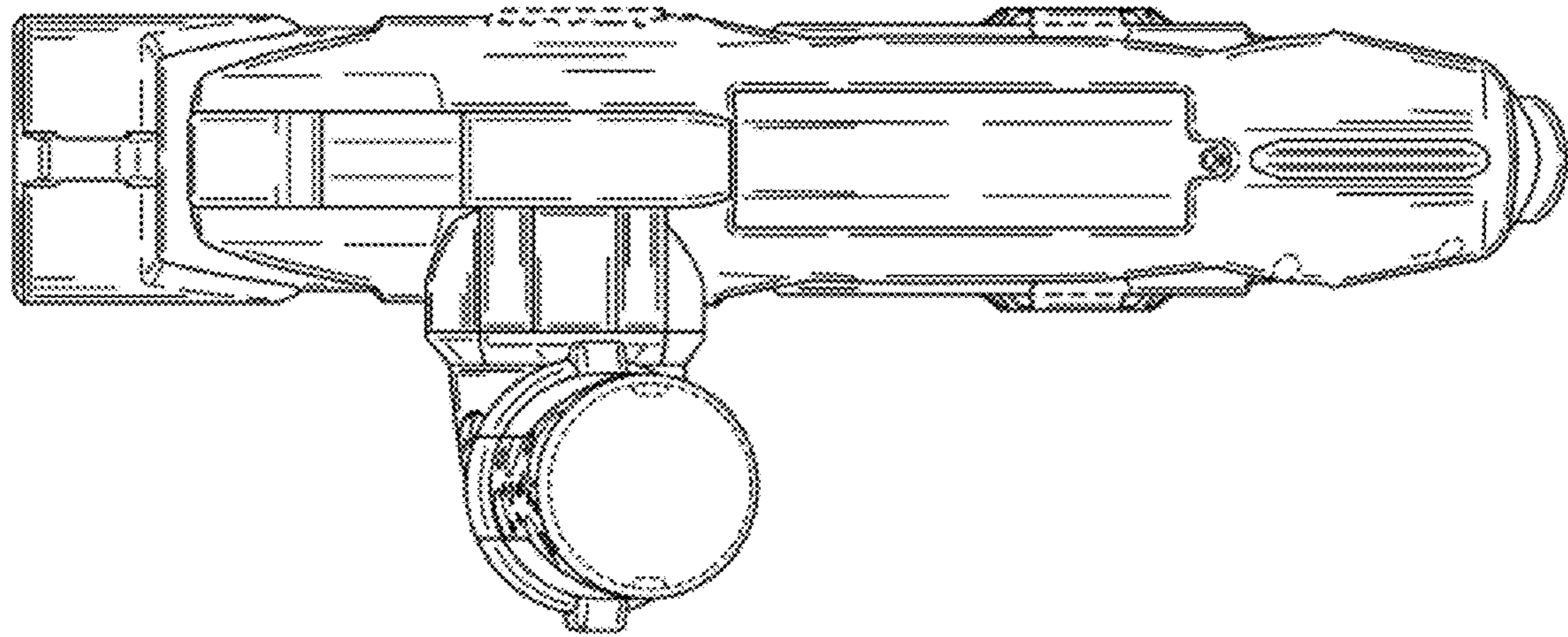


FIG. 6

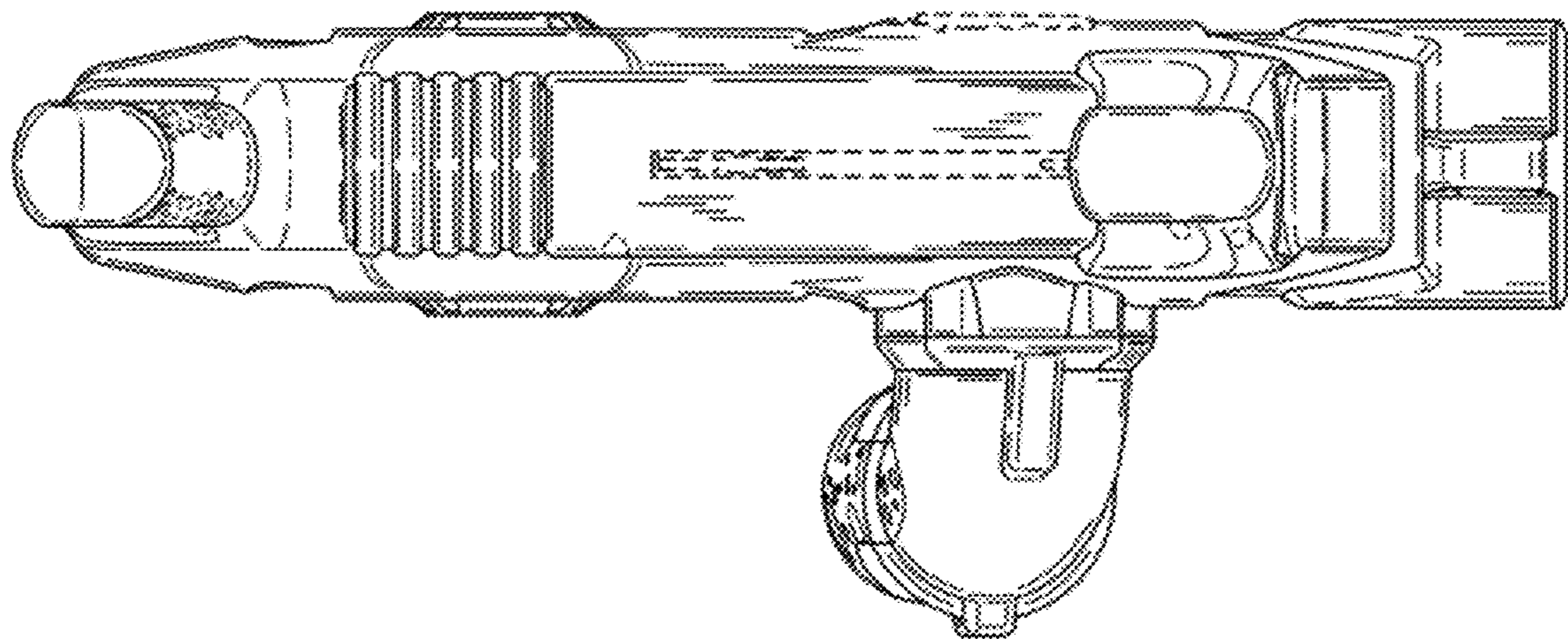


FIG. 7