

US00D664601S

(12) **United States Design Patent**
Sogabe

(10) **Patent No.:** **US D664,601 S**
(45) **Date of Patent:** **** Jul. 31, 2012**

(54) **PORTABLE INFORMATION TERMINAL**

(75) Inventor: **Takashi Sogabe**, Tokyo (JP)

(73) Assignee: **Sony Computer Entertainment Inc.**,
Tokyo (JP)

(**) Term: **14 Years**

(21) Appl. No.: **29/371,707**

(22) Filed: **Jul. 22, 2011**

(30) **Foreign Application Priority Data**

Jan. 26, 2011 (JP) D2011-001606

(51) **LOC (9) Cl.** **21-01**

(52) **U.S. Cl.** **D21/329; D14/356; D14/401**

(58) **Field of Classification Search** D21/324-333;
D14/341-346, 356, 432, 496, 207.3, 203.7,
D14/507, 399-401; 273/148 B; 463/1, 29-47;
345/156-161, 168, 169, 172; 341/22, 23
See application file for complete search history.

(56) **References Cited**

U.S. PATENT DOCUMENTS

4,423,792 A * 1/1984 Cowan 177/25.19
4,611,406 A * 9/1986 Engstrom et al. 33/443
4,969,647 A * 11/1990 Mical et al. 463/31

5,207,426 A * 5/1993 Inoue et al. 463/36
D417,664 S 12/1999 Goto
D528,543 S * 9/2006 Ogasawara D14/356
D529,493 S * 10/2006 Ogasawara D14/356
D558,755 S * 1/2008 Tanaka D14/341
D558,759 S * 1/2008 Tanaka D14/341
D584,739 S * 1/2009 Ahlgren D14/496
D620,055 S * 7/2010 Yano D21/329
D620,056 S * 7/2010 Yano D21/329
D622,245 S * 8/2010 Okada et al. D14/138 G

* cited by examiner

Primary Examiner — Prabhakar Deshmukh

(74) *Attorney, Agent, or Firm* — Rader, Fishman & Grauer
PLLC

(57) **CLAIM**

The ornamental design for a portable information terminal, as
shown and described.

DESCRIPTION

FIG. 1 is a front, top, left perspective view of a portable
information terminal showing my new design;
FIG. 2 is a rear, top, right perspective view thereof;
FIG. 3 is a rear, bottom, left perspective view thereof;
FIG. 4 is a front elevational view thereof;
FIG. 5 is a rear elevational view thereof;
FIG. 6 is a left side elevational view thereof;
FIG. 7 is a right side elevational view thereof;
FIG. 8 is a top plan view thereof; and,
FIG. 9 is a bottom plan view thereof.

1 Claim, 7 Drawing Sheets

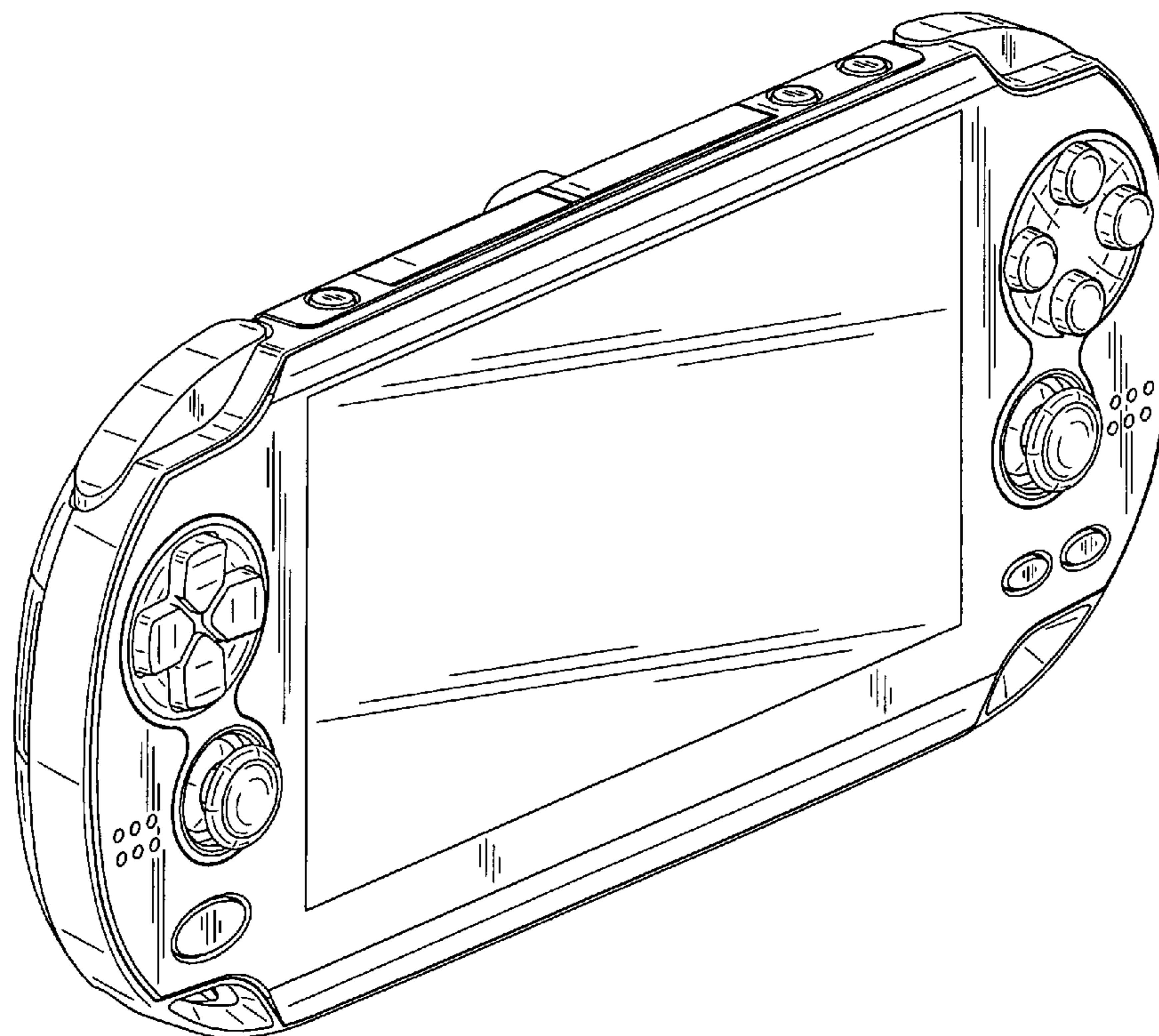


FIG. 1

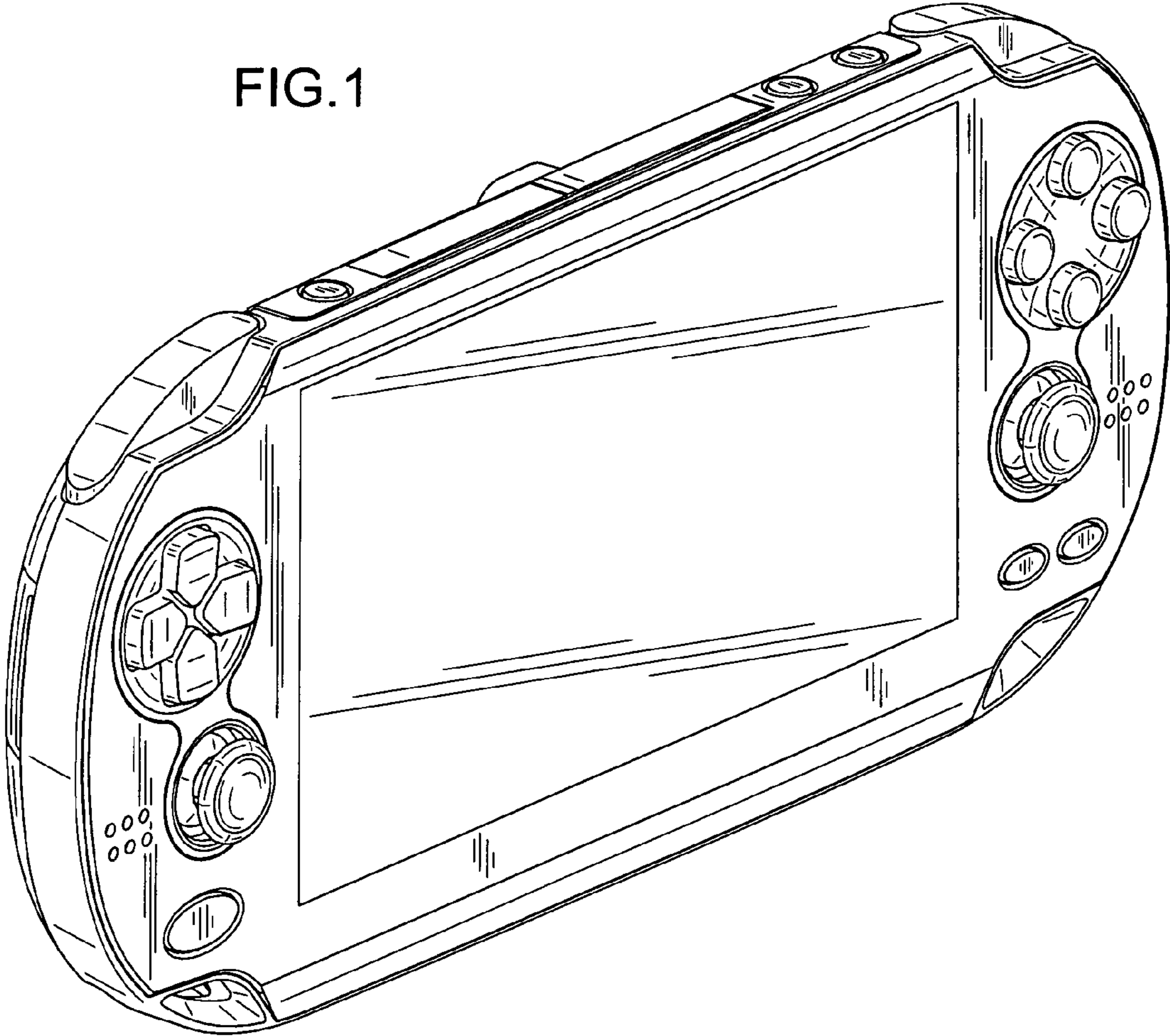
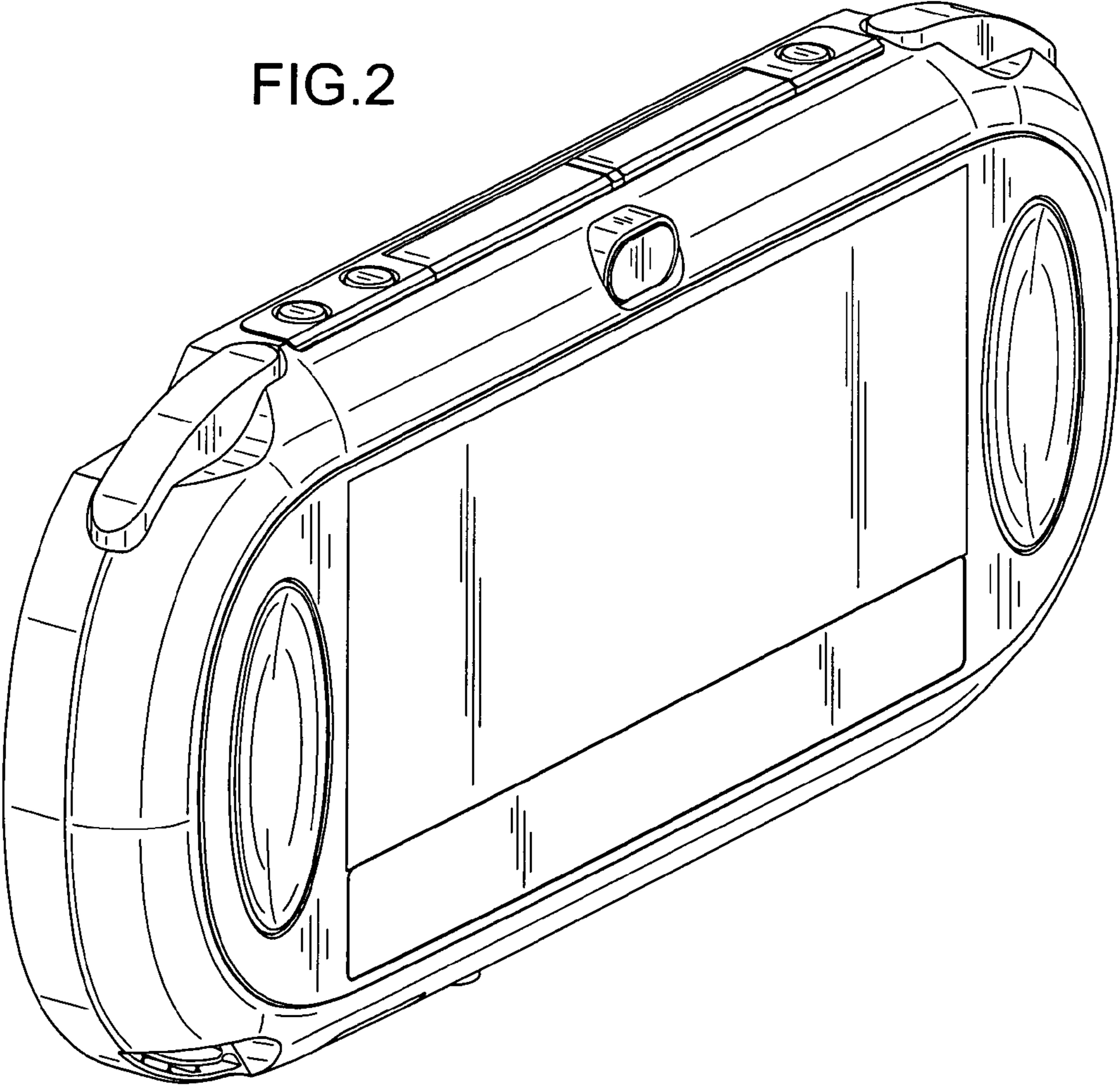


FIG.2



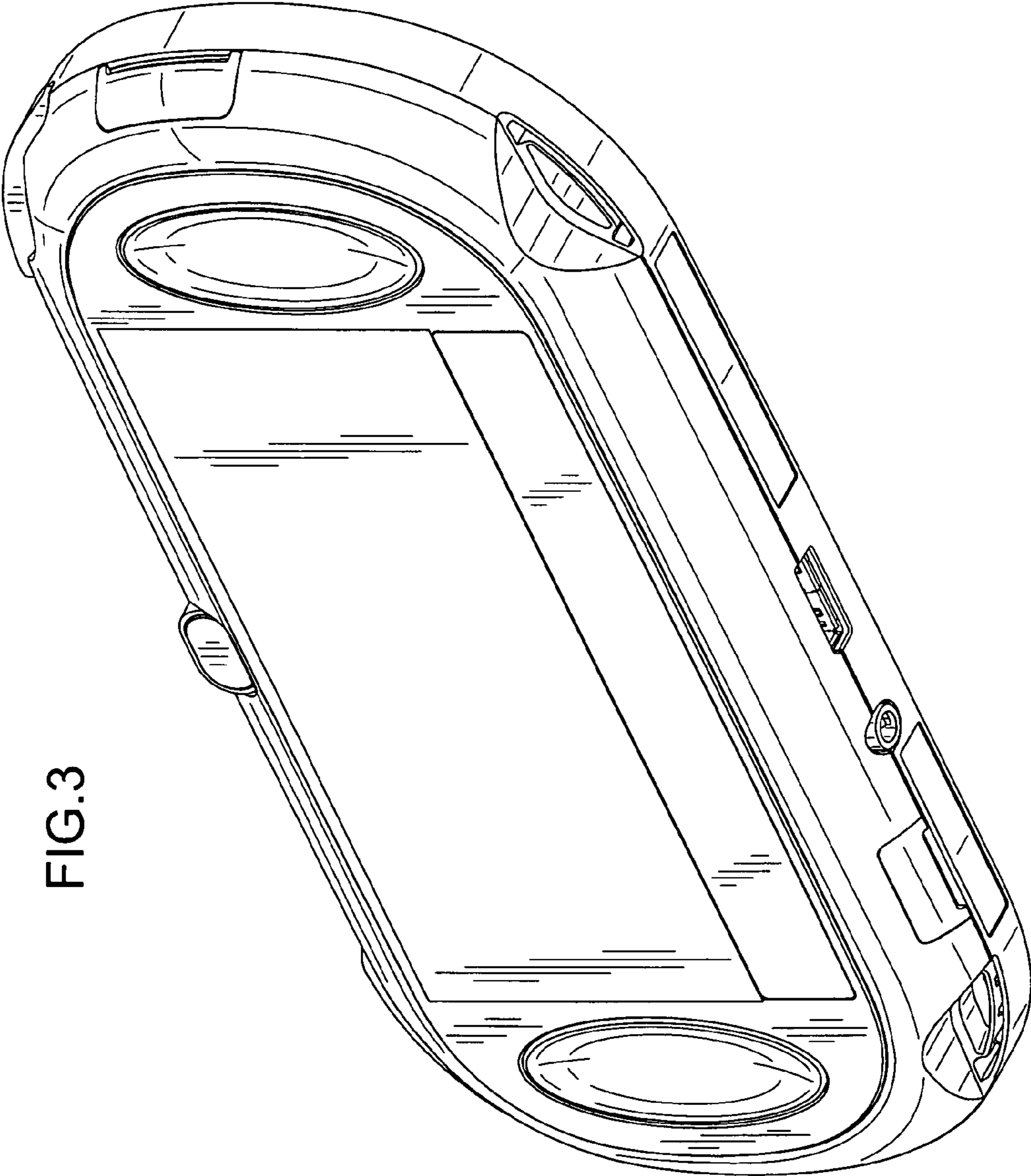


FIG.3

FIG.4

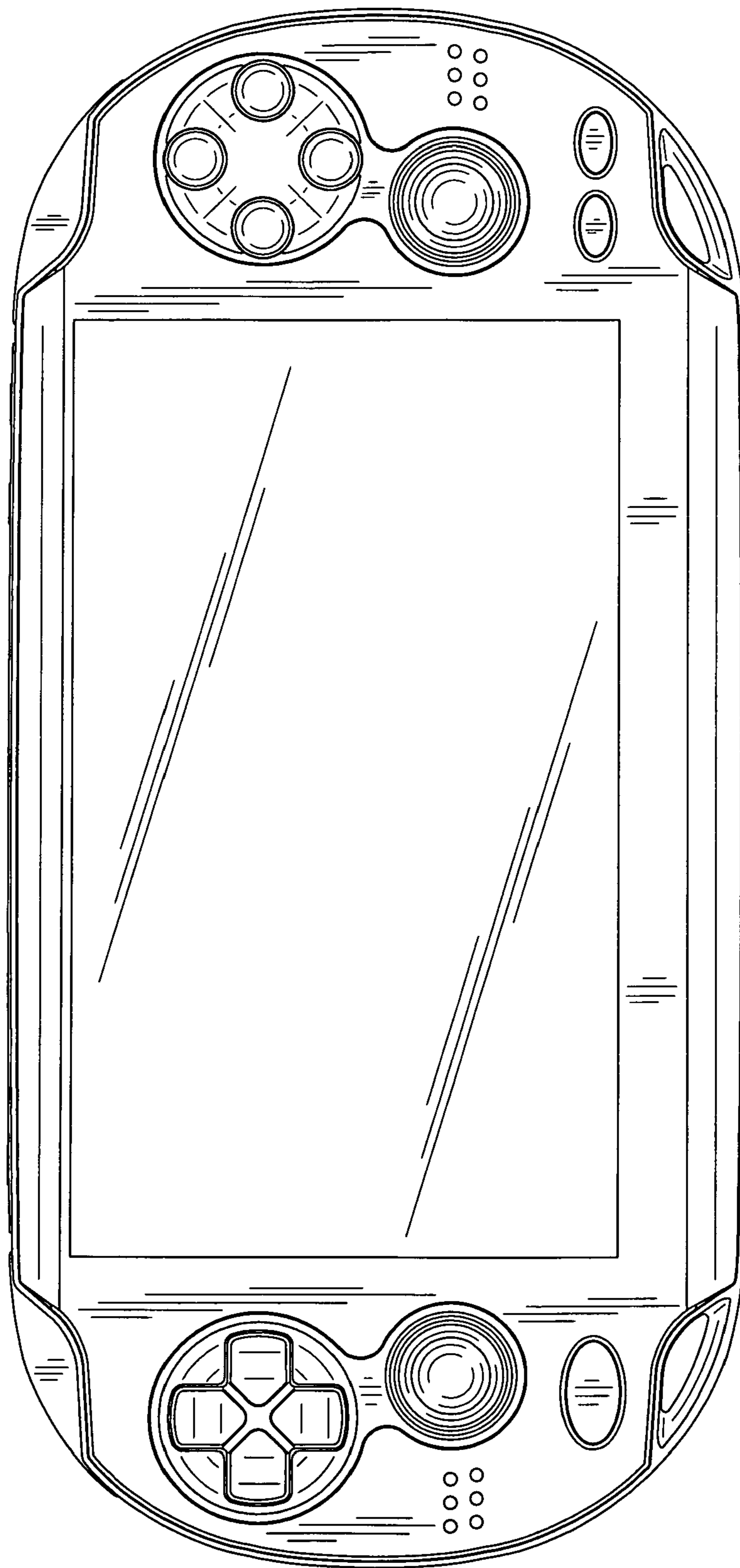


FIG.5



FIG.6

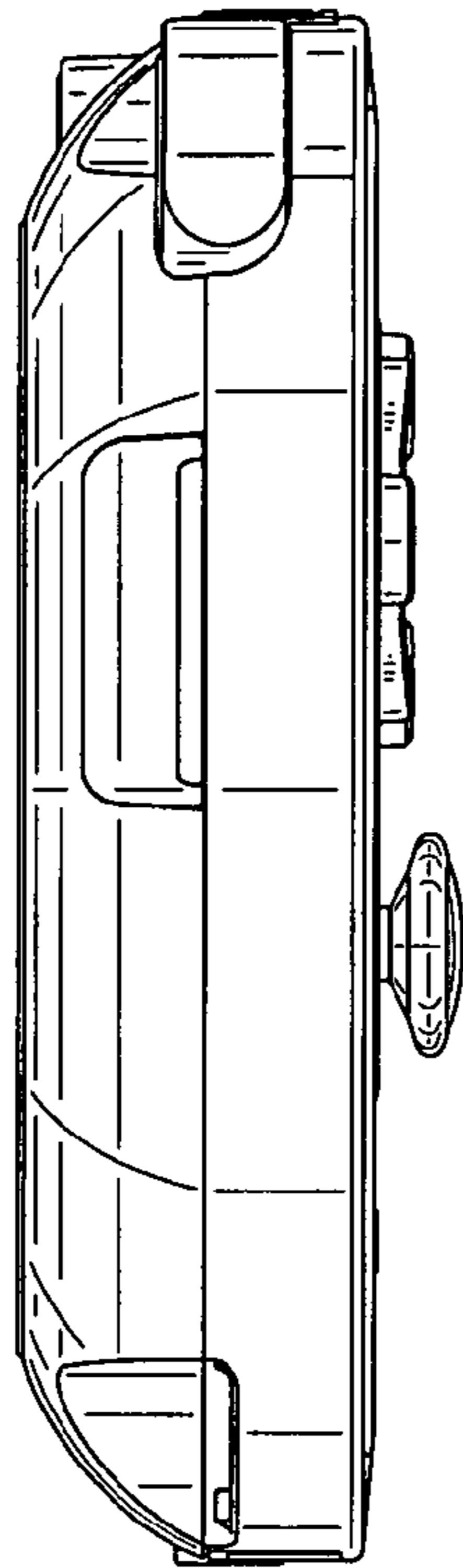


FIG.7

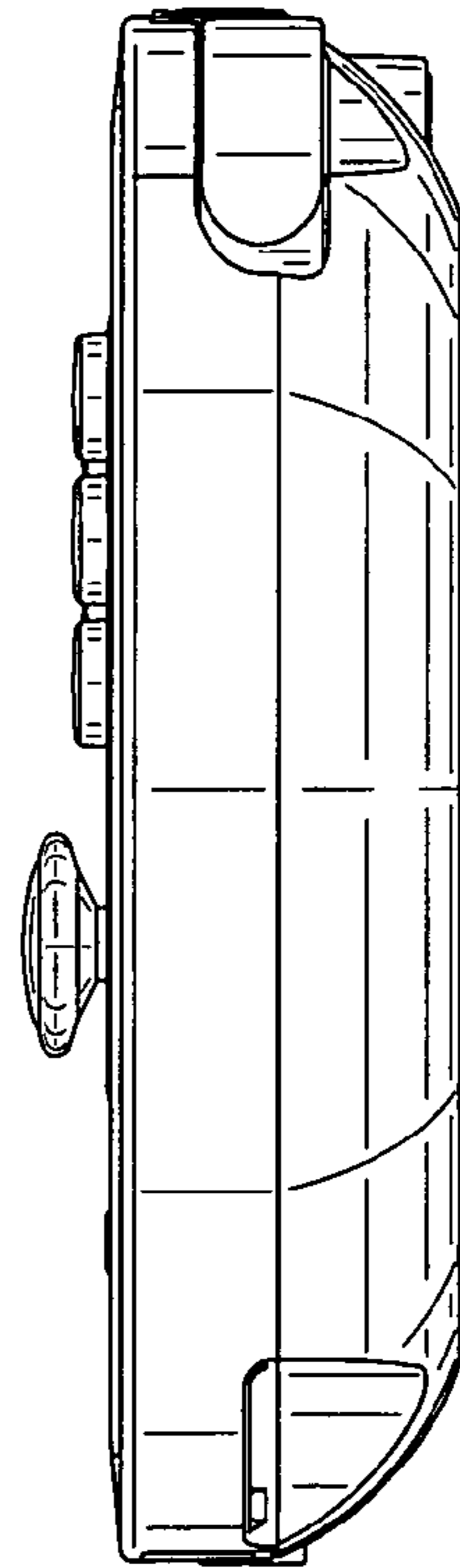


FIG.8

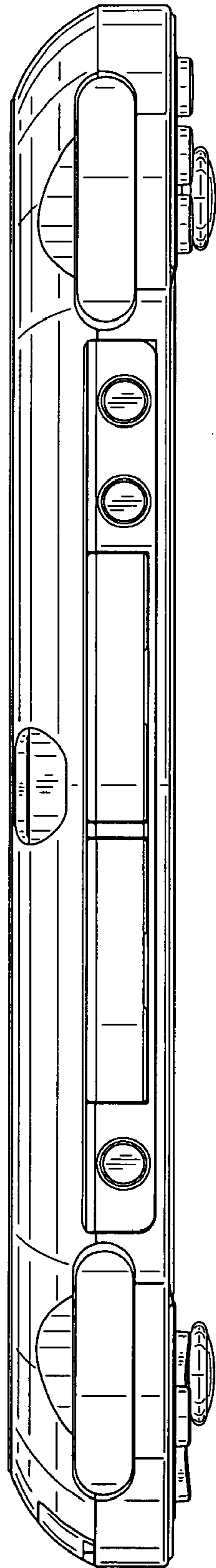


FIG.9

