



US00D664600S

(12) **United States Design Patent**
Clark et al.

(10) **Patent No.:** **US D664,600 S**
(45) **Date of Patent:** **** Jul. 31, 2012**

(54) **SIGN HOLDER**

(75) Inventors: **Jeremy A. Clark**, Minneapolis, MN (US); **Amy M. Bacskai**, St. Paul, MN (US); **Robert G. Logan**, Blaine, MN (US); **David Cheney**, St. Paul, MN (US)

(73) Assignee: **Target Brands, Inc.**, Minneapolis, MN (US)

(**) Term: **14 Years**

(21) Appl. No.: **29/412,401**

(22) Filed: **Feb. 2, 2012**

(51) **LOC (9) Cl.** **20-02**

(52) **U.S. Cl.** **D20/43; D20/41**

(58) **Field of Classification Search** D20/10, D20/19, 21, 40-44, 99; 40/593, 625, 642.01, 40/642.02, 644, 647-655, 657-661, 661.03, 40/661.05-661.08, 661.11, 607.02, 611.05
See application file for complete search history.

(56) **References Cited**

U.S. PATENT DOCUMENTS

1,824,578	A	9/1931	Thake
D194,019	S	11/1962	Smith
4,742,633	A	5/1988	Snediker
4,790,091	A	12/1988	Hull
4,854,533	A	8/1989	Sainato
4,887,783	A	12/1989	Franklin
5,012,603	A	5/1991	Elcock
5,236,095	A	8/1993	Krizka
5,443,167	A	8/1995	Menaged et al.
5,462,178	A	10/1995	Wallach et al.
5,660,286	A	8/1997	Shea
5,722,623	A	3/1998	Gibson
5,933,992	A	8/1999	Padiak et al.
RE36,669	E	4/2000	Zilincar, III
D434,082	S	11/2000	Tsiogas

D454,373	S	3/2002	Kosir	
6,523,291	B2 *	2/2003	Nagel	40/661
6,533,134	B1	3/2003	Menaged et al.	
6,601,328	B1 *	8/2003	Benaquista et al.	40/611.06
6,698,124	B2	3/2004	Kump et al.	
6,932,226	B2	8/2005	Hardy	
7,600,895	B2	10/2009	Hawkins et al.	
D647,978	S *	11/2011	Bacskai et al.	D20/43
2008/0149576	A1	6/2008	Onachilla et al.	

* cited by examiner

Primary Examiner — Mary Ann Calabrese

(74) *Attorney, Agent, or Firm* — Griffiths & Seaton PLLC

(57) **CLAIM**

The ornamental design for a sign holder, as shown and described.

DESCRIPTION

FIG. 1 is a front perspective view of a sign holder showing a first embodiment of our new design;

FIG. 2 is a front view thereof;

FIG. 3 is a rear view thereof;

FIG. 4 is a left side view thereof, the right side view being a mirror image of the left side view;

FIG. 5 is a top view thereof; and

FIG. 6 is a bottom view thereof.

FIG. 7 is a front perspective view of a sign holder showing a second embodiment of our new design;

FIG. 8 is a front view thereof;

FIG. 9 is a rear view thereof;

FIG. 10 is a right side view thereof;

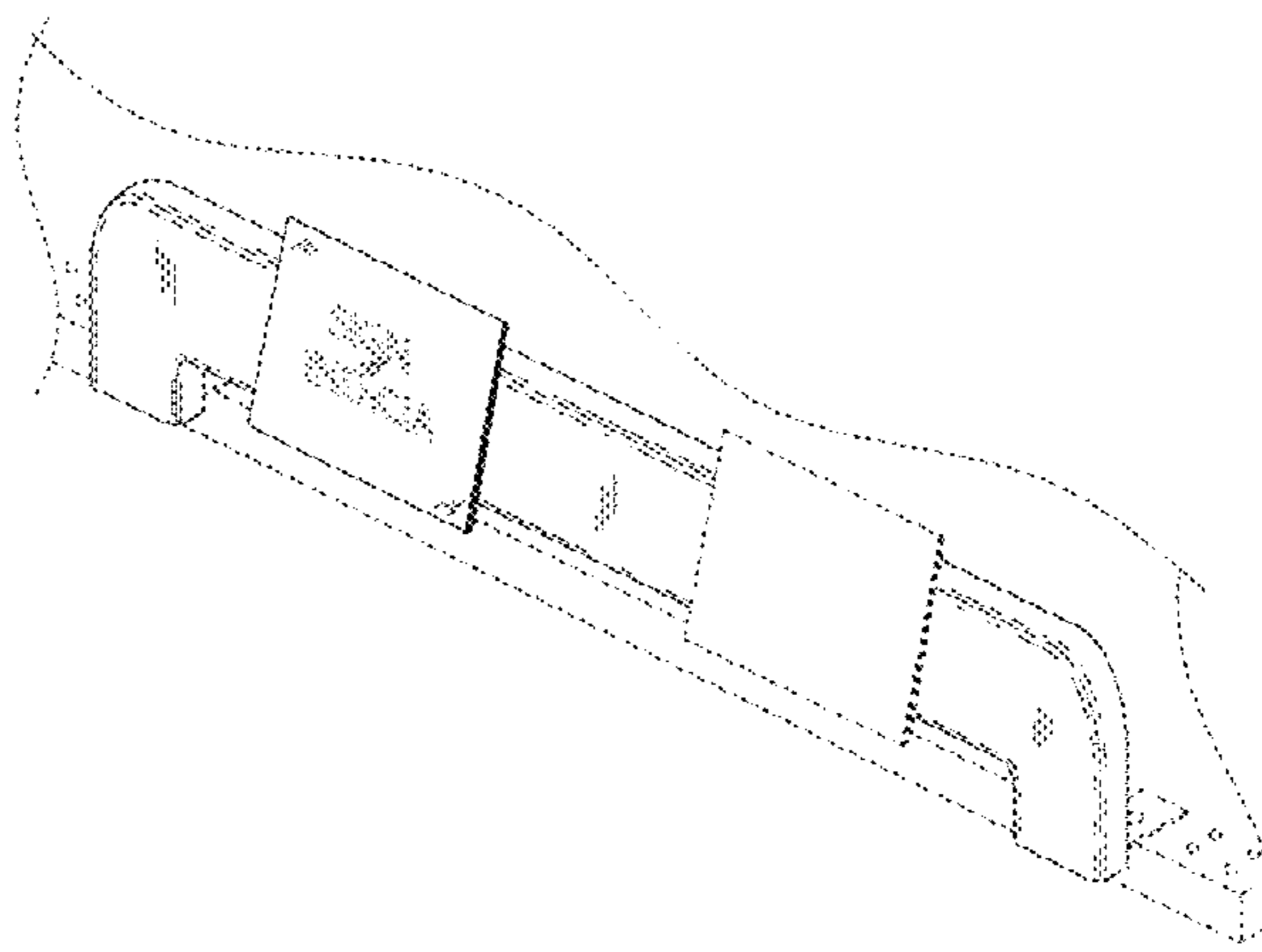
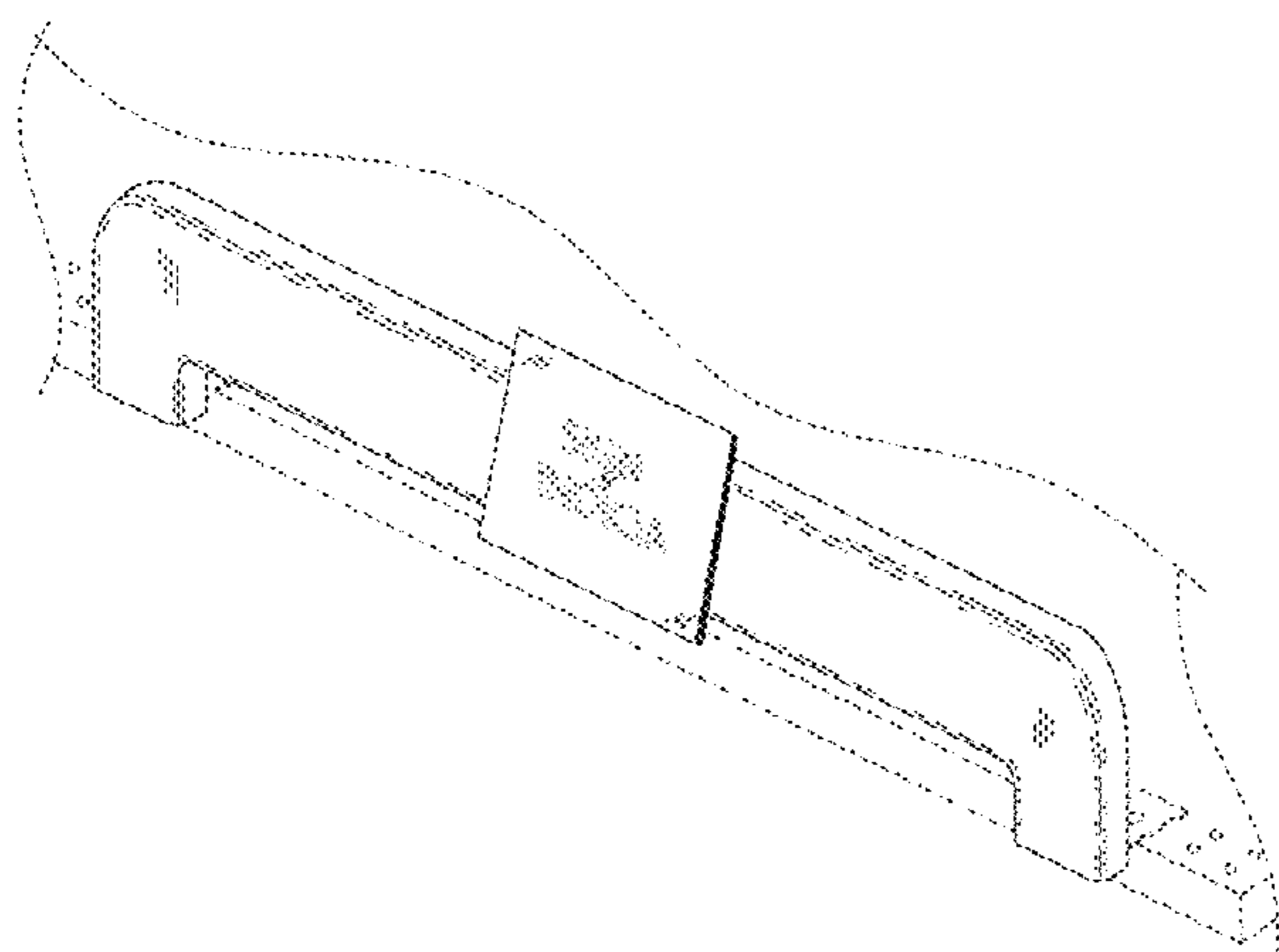
FIG. 11 is a left side view thereof;

FIG. 12 is a top view thereof; and,

FIG. 13 is a bottom view thereof.

The features shown in broken lines depict environmental subject matter only and form no part of the claimed design.

1 Claim, 6 Drawing Sheets



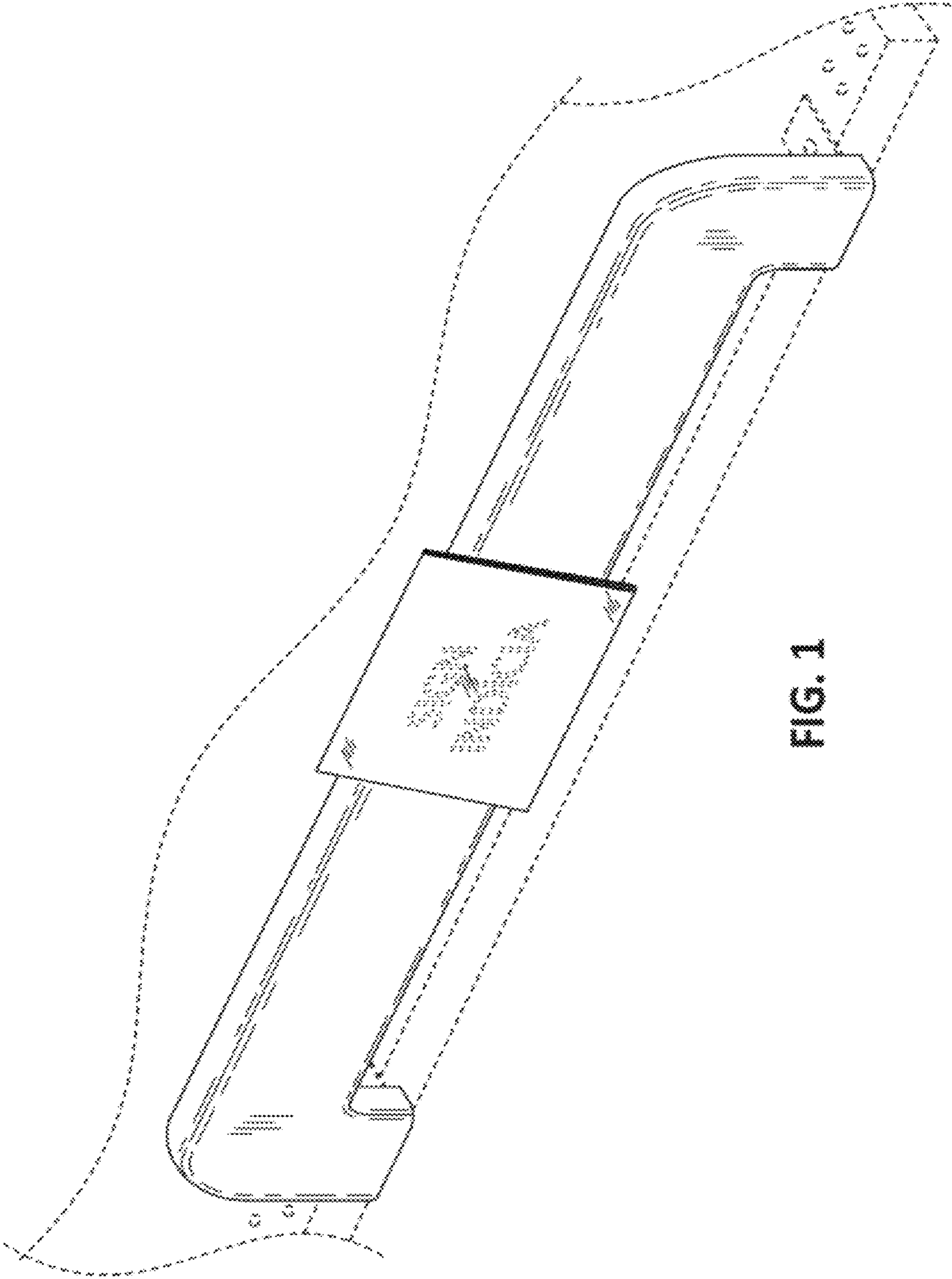


FIG. 1

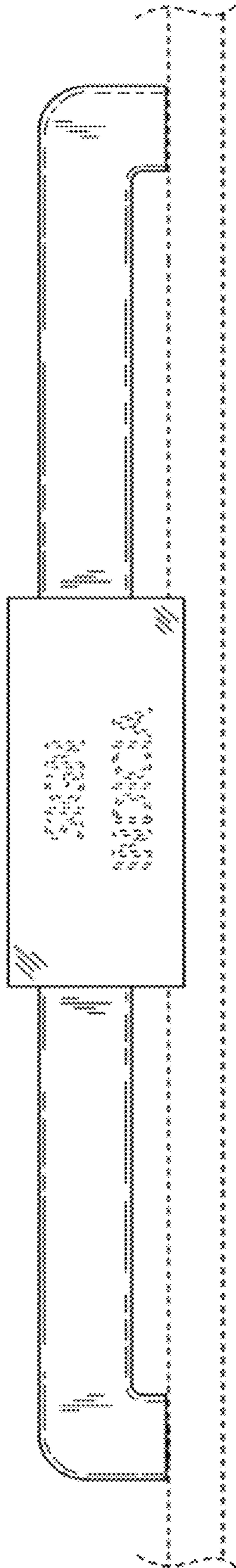


FIG. 2

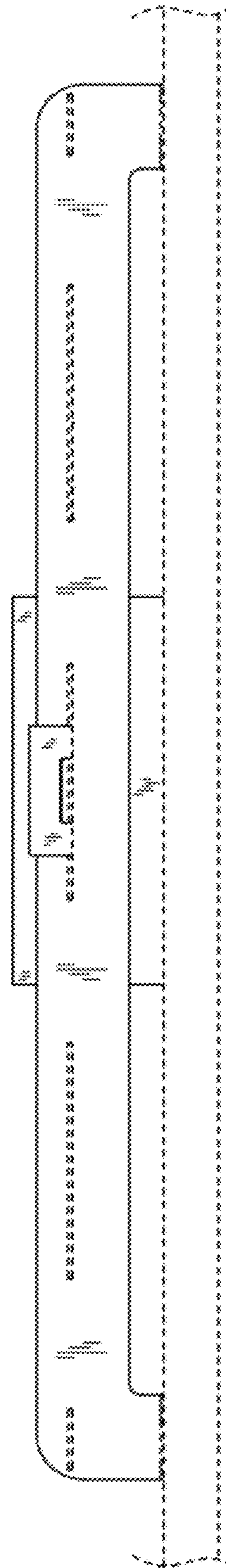


FIG. 3

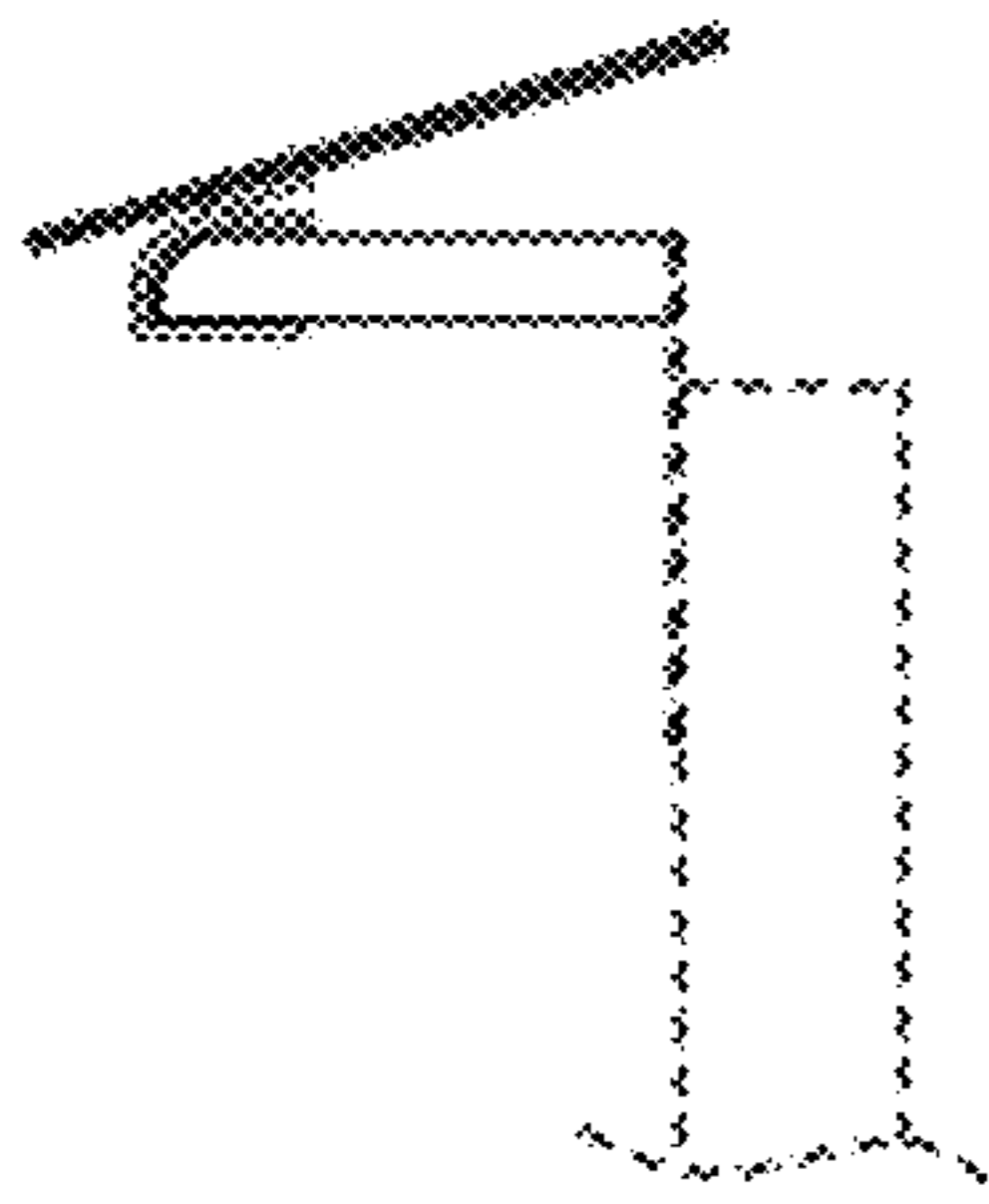


FIG. 4

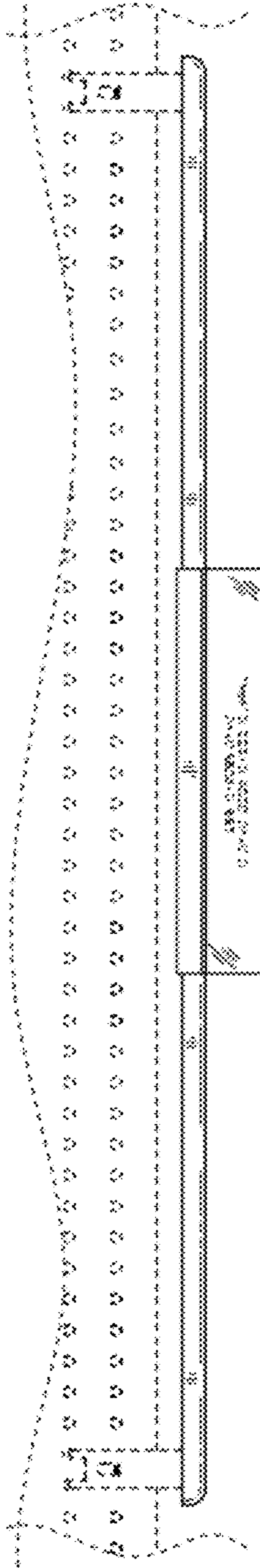


FIG. 5

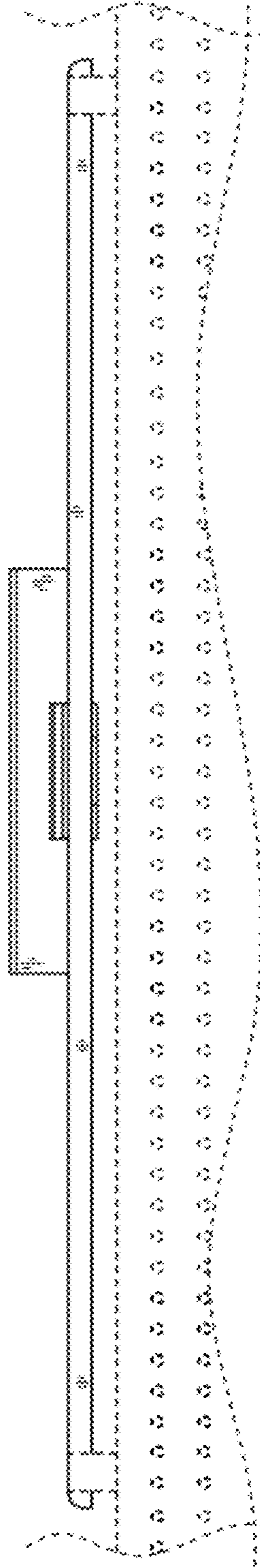


FIG. 6

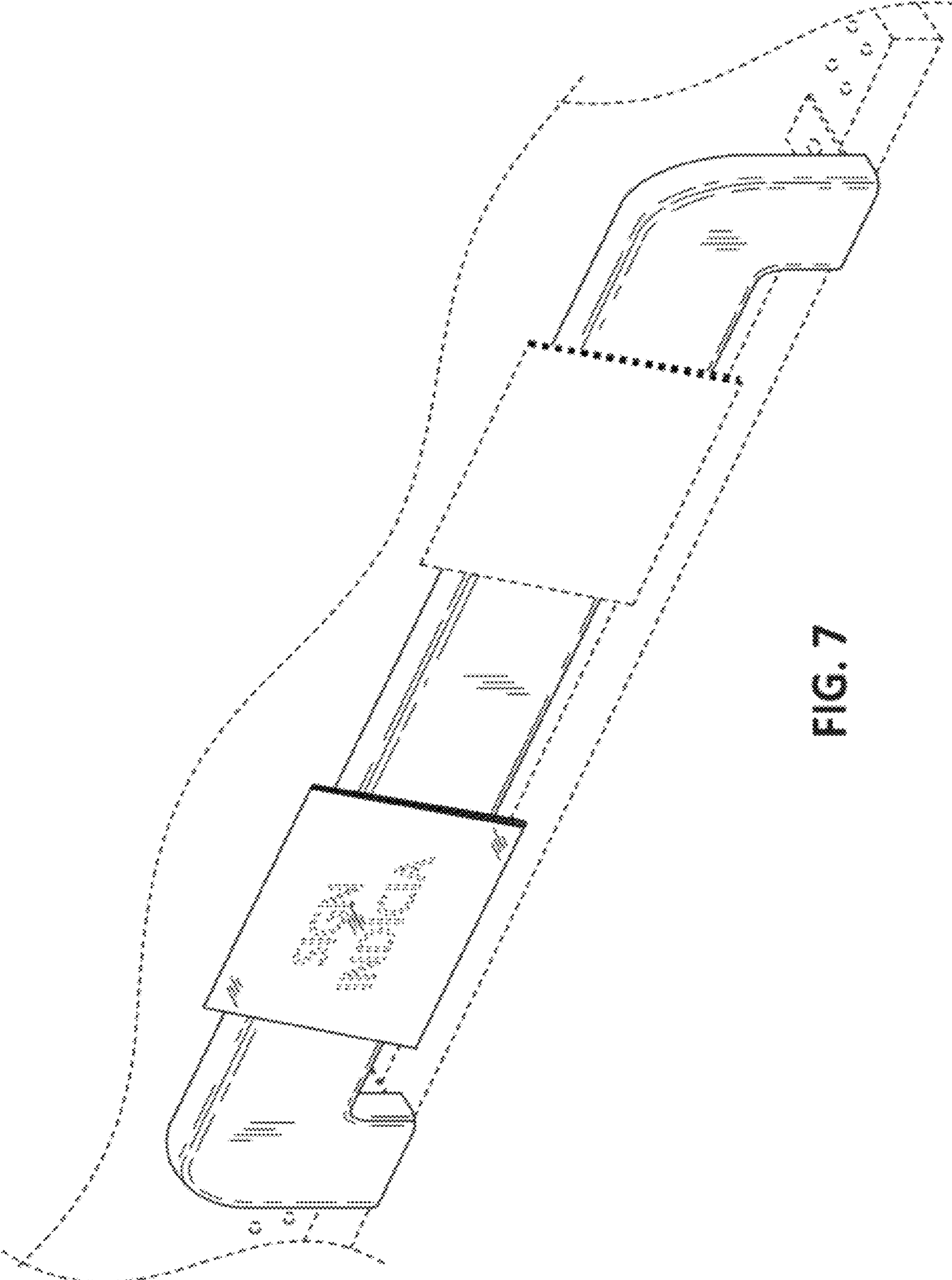


FIG. 7

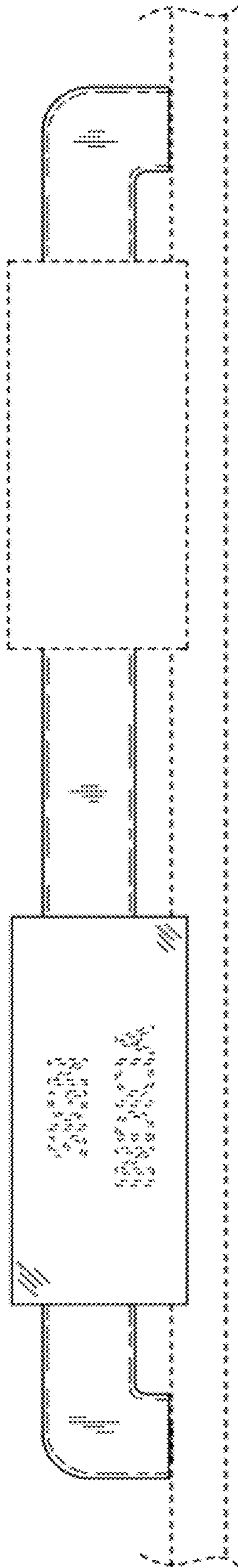


FIG. 8

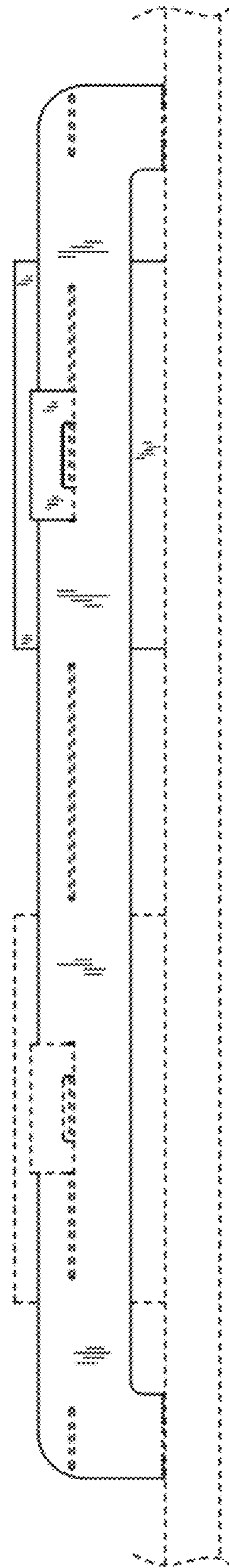


FIG. 9

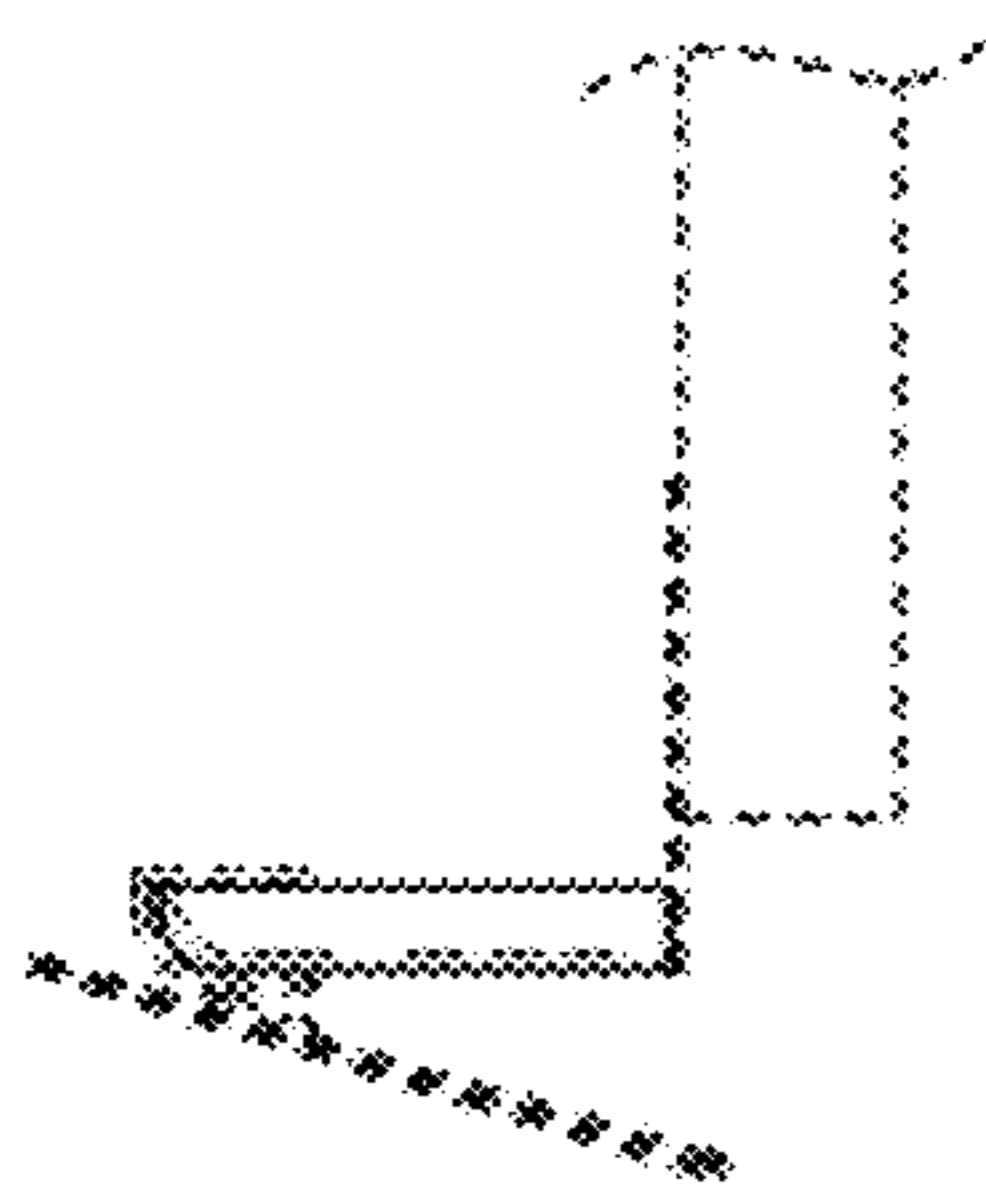


FIG. 10

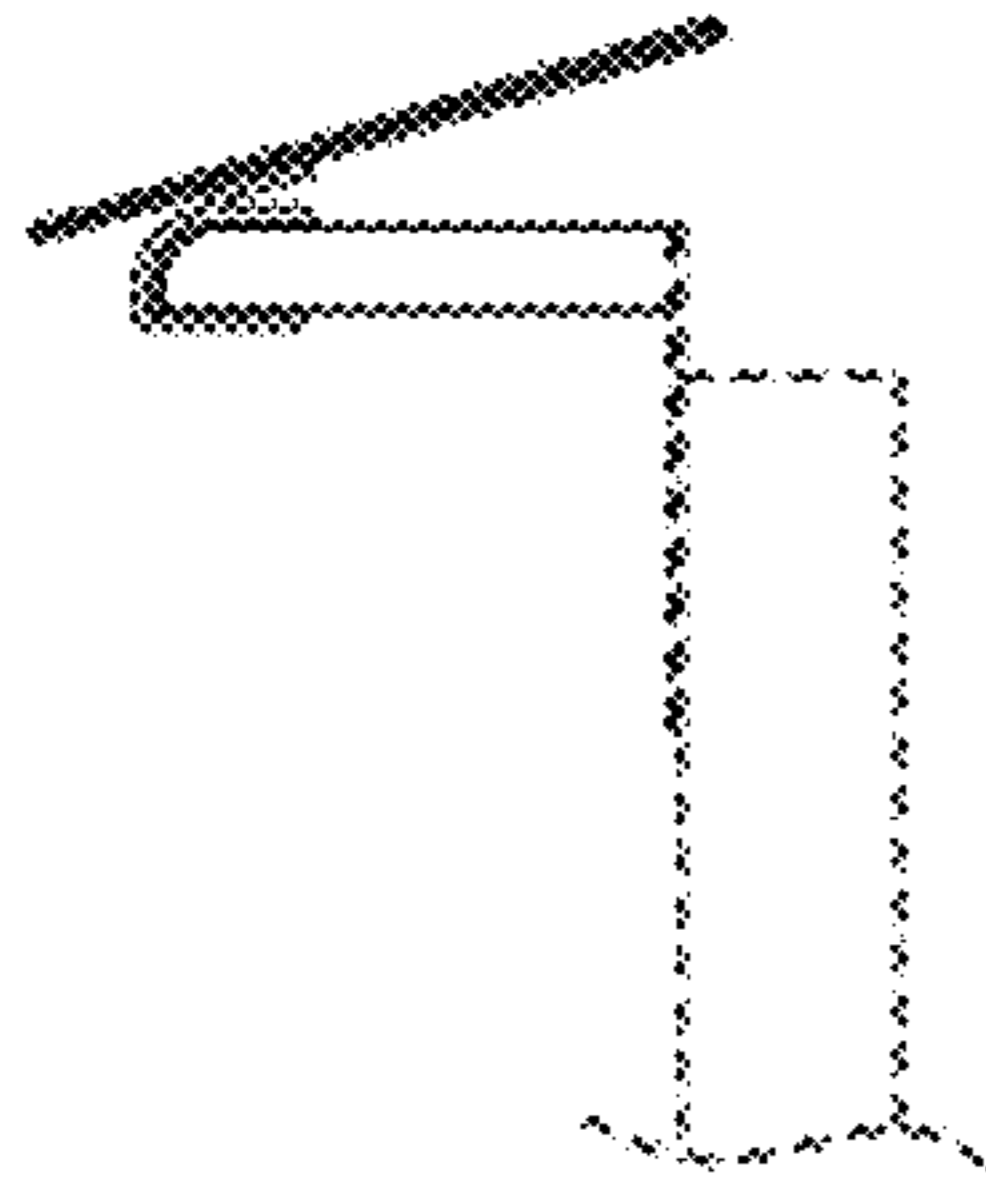


FIG. 11

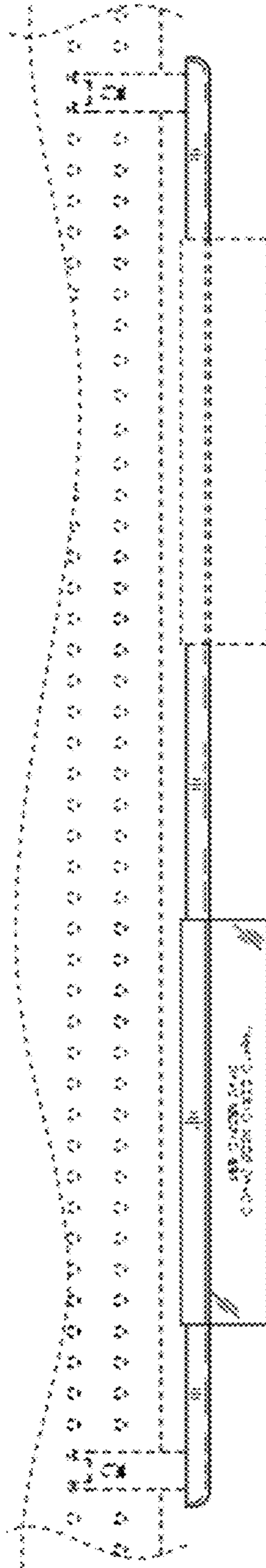


FIG. 12

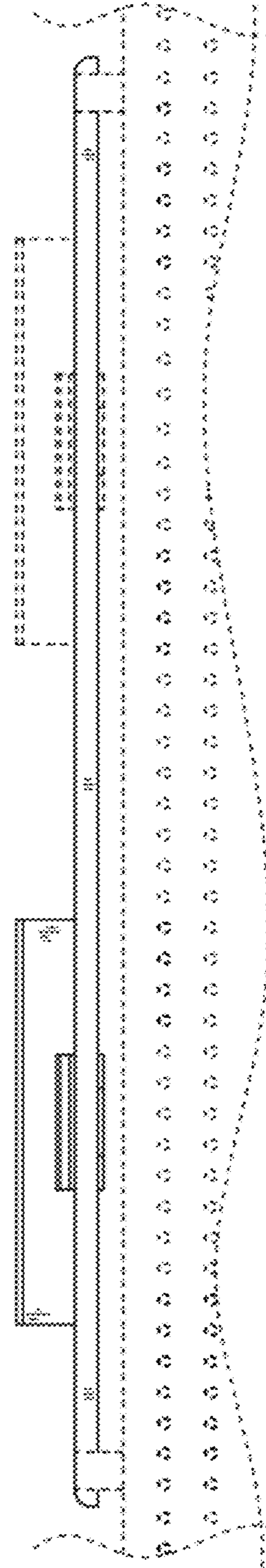


FIG. 13