



US00D664594S

(12) **United States Design Patent**
Casciotti et al.

(10) **Patent No.:** **US D664,594 S**
(45) **Date of Patent:** **** Jul. 31, 2012**

(54) **WRITING INSTRUMENT**

(75) Inventors: **David M. Casciotti**, Amsterdam, NY
(US); **Jing Mahler**, Glenville, NY (US)

(73) Assignee: **Holland USA, Inc.**, North Mankato, MN
(US)

(**) Term: **14 Years**

(21) Appl. No.: **29/392,831**

(22) Filed: **May 26, 2011**

(51) **LOC (9) Cl.** **19-06**

(52) **U.S. Cl.** **D19/55**

(58) **Field of Classification Search** D19/35,
D19/36, 41-51, 54-58; D14/411; 24/11 F,
24/11 P, 11 R; 401/52, 99, 104-109, 192,
401/195, 196

See application file for complete search history.

(56) **References Cited**

U.S. PATENT DOCUMENTS

D445,455 S *	7/2001	Saito	D19/55
D451,142 S *	11/2001	Saito	D19/55
D454,368 S *	3/2002	Pellissa Beneyto	D19/48
D454,589 S *	3/2002	Pellissa Beneyto	D19/48
D455,177 S *	4/2002	Chiu	D19/54
D458,679 S *	6/2002	Thompson et al.	D24/133
D464,676 S *	10/2002	Leo et al.	D19/55
D477,363 S *	7/2003	Baudino et al.	D19/48
D485,574 S *	1/2004	Keil	D19/50
D486,860 S *	2/2004	Hodge	D19/55
D492,350 S *	6/2004	Morrow	D19/55
D499,141 S *	11/2004	Chevalier	D19/48
D499,142 S *	11/2004	Morrow	D19/50
D506,507 S *	6/2005	Qiu	D19/51
D508,717 S *	8/2005	Anand	D19/50
D509,852 S *	9/2005	Anand	D19/50
D538,853 S *	3/2007	Losel	D19/51
D540,381 S *	4/2007	Qiu	D19/43
D541,342 S *	4/2007	Qiu	D19/48
D541,344 S *	4/2007	Hamilton et al.	D19/50

D541,860 S *	5/2007	Kung	D19/50
D546,882 S *	7/2007	Qiu	D19/50
D572,754 S *	7/2008	Li	D19/43
D572,757 S *	7/2008	Qiu et al.	D19/48
D573,183 S *	7/2008	Qiu et al.	D19/36
D576,213 S *	9/2008	Fei	D19/47
D580,491 S *	11/2008	Fei	D19/48
D622,771 S *	8/2010	Casciotti et al.	D19/55
D626,595 S *	11/2010	Casciotti et al.	D19/55
D643,067 S *	8/2011	Casciotti et al.	D19/50
D648,388 S *	11/2011	Casciotti et al.	D19/54
D650,857 S *	12/2011	Lira-Nunez et al.	D19/48
D650,859 S *	12/2011	Lira-Nunez et al.	D19/57
D651,241 S *	12/2011	Liang	D19/48

* cited by examiner

Primary Examiner — Elizabeth Albert

(74) *Attorney, Agent, or Firm* — Dicke, Billig & Czaja
PLLC; Peter Forrest

(57) **CLAIM**

We claim the ornamental design for a writing instrument, as shown and described.

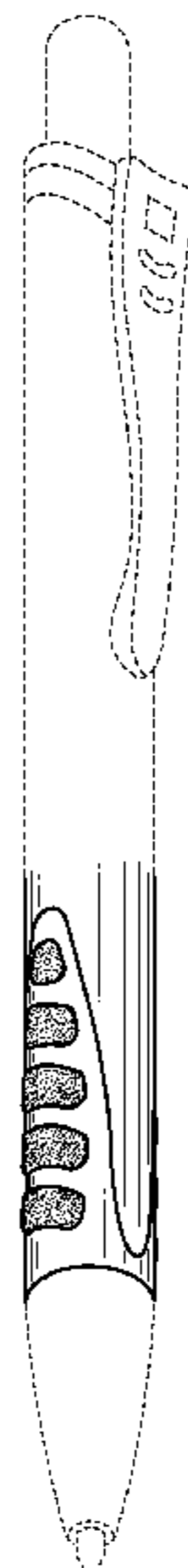
DESCRIPTION

FIG. 1 is a perspective view of a writing instrument showing our new design;
FIG. 2 is a front view of the same writing instrument;
FIG. 3 is a back view of the same writing instrument;
FIG. 4 is a right side view of the same writing instrument, the left side view being a mirror image of the left side view;
FIG. 5 is an enlarged top view of the same writing instrument;
and,
FIG. 6 is an enlarged bottom view of the same writing instrument.

The broken lines showing the clip, upper barrel, and writing tip in FIGS. 1-6 are included for the purpose of showing portions of the writing instrument that form no part of the claimed design.

The stippling represents contrast in material.

1 Claim, 4 Drawing Sheets



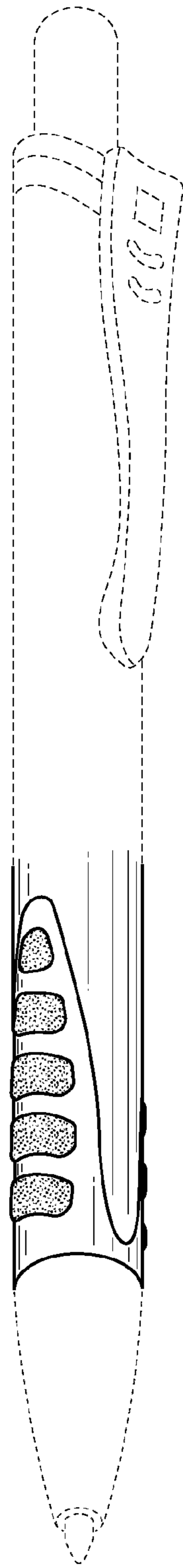


Fig. 1



Fig. 2

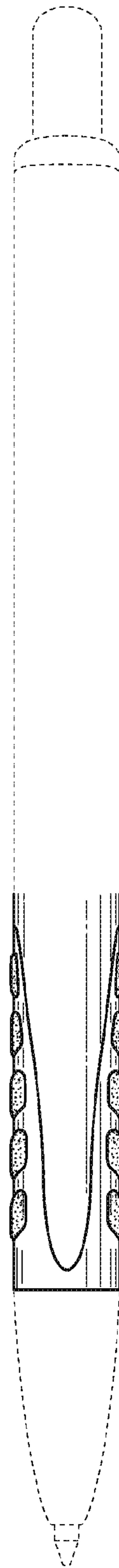


Fig. 3

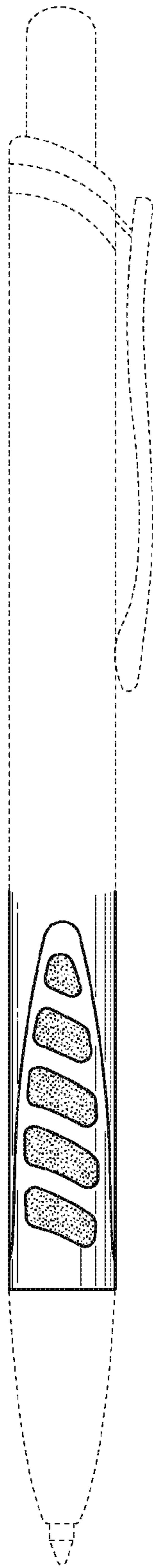


Fig. 4

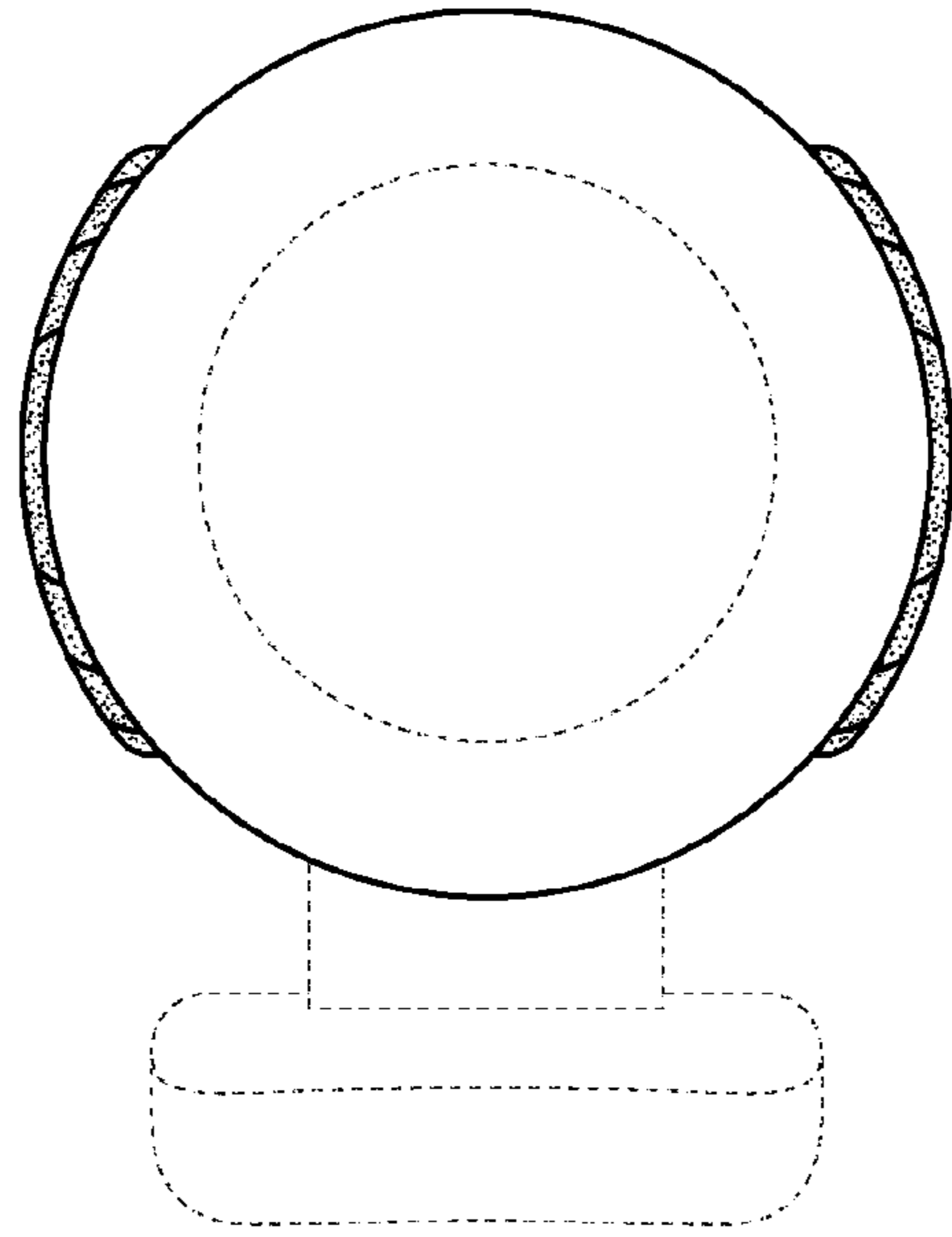


Fig. 5

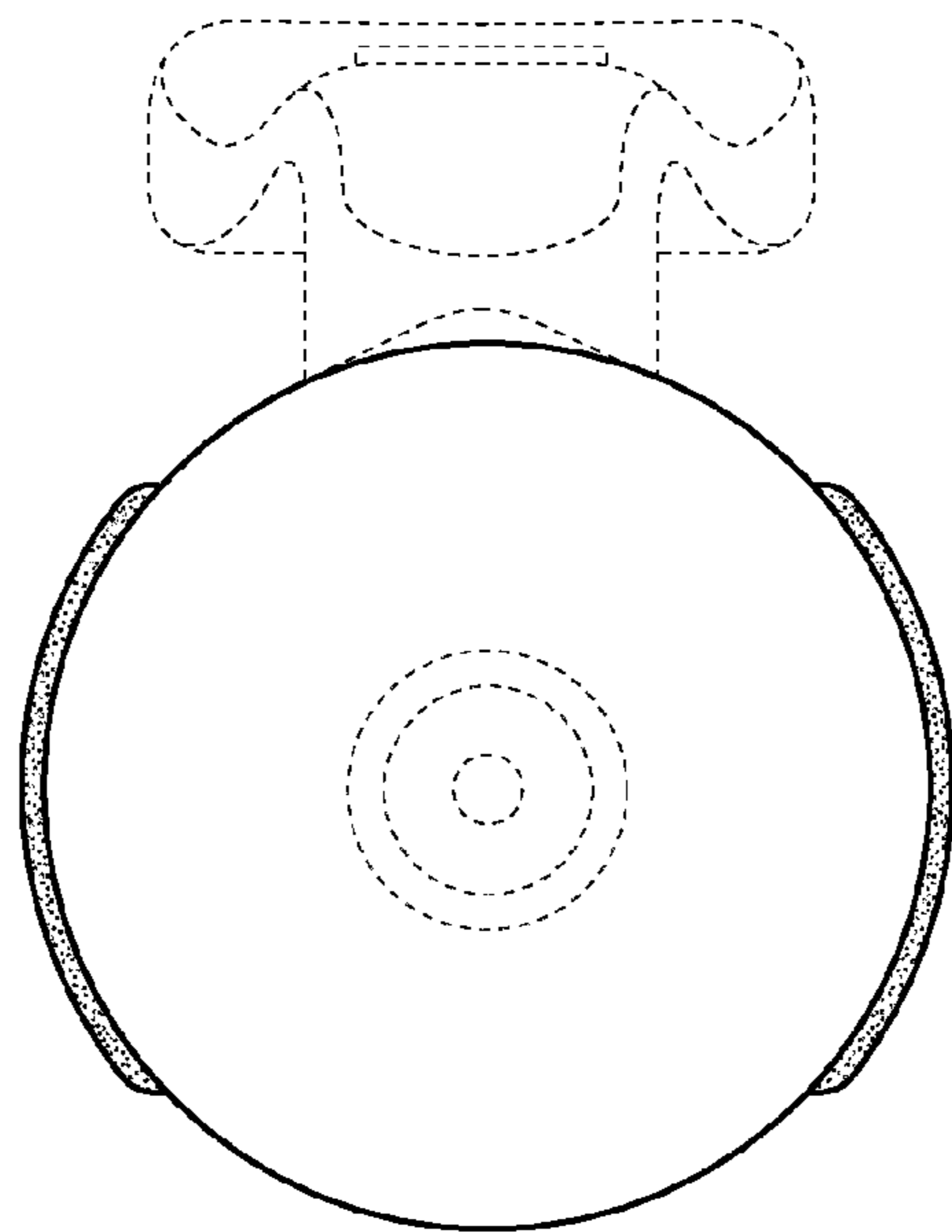


Fig. 6