



US00D664593S

(12) **United States Design Patent**
Squillante, Jr. et al.

(10) **Patent No.:** **US D664,593 S**
(45) **Date of Patent:** **** Jul. 31, 2012**

(54) **COMBINATION PENCIL AND GOLF TEE**
(76) Inventors: **Stephen Squillante, Jr.**, Weymouth, MA
(US); **Edward Gonsalves**, Swansea, MA
(US)
(**) Term: **14 Years**
(21) Appl. No.: **29/386,361**
(22) Filed: **Feb. 28, 2011**
(51) **LOC (9) Cl.** **19-06**
(52) **U.S. Cl.** **D19/36**
(58) **Field of Classification Search** D19/35,
D19/36, 41-51, 54-58; 24/11 R, 11 F, 11 P;
401/52, 99, 100-109, 192, 195, 196; D14/411;
D21/717, 718
See application file for complete search history.

3,606,554 A * 9/1971 De Bang et al. 401/105
D260,020 S * 7/1981 DuBois et al. D19/42
4,669,725 A * 6/1987 Taylor 473/257
D317,624 S * 6/1991 Jurinjak D19/42
D366,918 S * 2/1996 Mathers D21/718
D383,166 S * 9/1997 Nowak, Jr. D19/86
D432,167 S * 10/2000 Chodat D19/47
D468,379 S * 1/2003 Gan D21/717
D476,684 S * 7/2003 Rommel D19/46
D572,323 S * 7/2008 Merullo D21/718
D603,004 S * 10/2009 Chudy D21/717
D620,541 S * 7/2010 Timbers D21/718

* cited by examiner

Primary Examiner — Elizabeth Albert
(74) *Attorney, Agent, or Firm* — Chapin IP Law, LLC

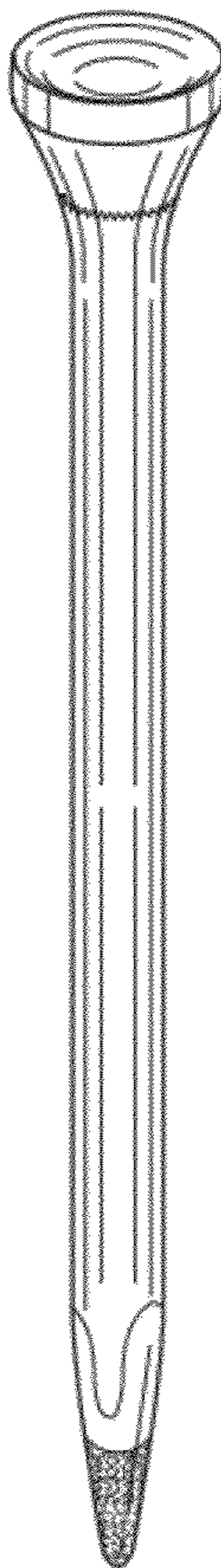
(57) **CLAIM**
The ornamental design for a combination pencil and golf tee,
substantially as shown.

DESCRIPTION

FIG. 1 is a top, front perspective view of a combination pencil
and golf tee showing our new design;
FIG. 2 is a bottom, front perspective view of FIG. 1;
FIG. 3 is a front elevation view of FIG. 1;
FIG. 4 is a side elevation view of FIG. 1;
FIG. 5 is a top plan view of FIG. 1; and,
FIG. 6 is a bottom plan view of FIG. 1.

1 Claim, 3 Drawing Sheets

(56) **References Cited**
U.S. PATENT DOCUMENTS
D57,397 S * 3/1921 Taussig D19/46
D59,035 S * 9/1921 Sheaffer D19/46
1,421,318 A * 6/1922 Steffan et al. 40/334
1,959,347 A * 5/1934 Czichos 473/401
D109,238 S * 4/1938 Welling D10/2
2,363,545 A * 11/1944 Morehead 33/774
D172,313 S * 5/1954 Rucker D19/46



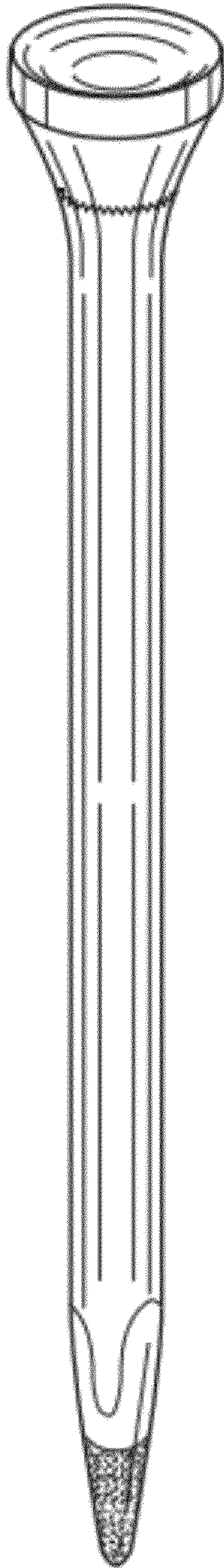


FIG. 1

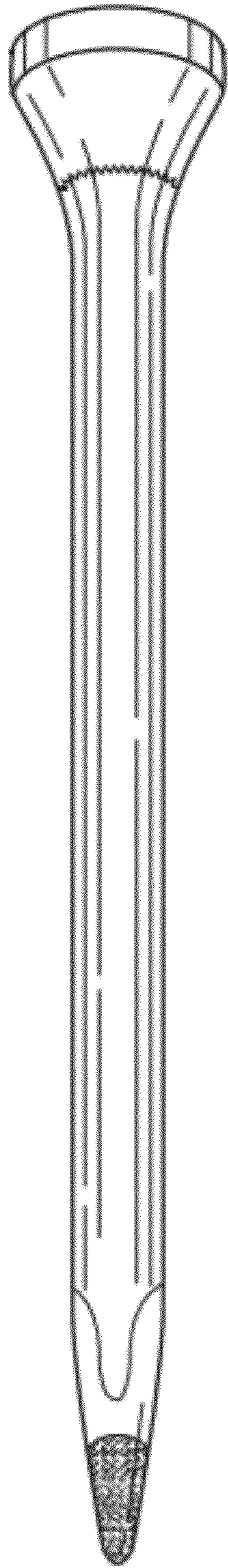


FIG. 2

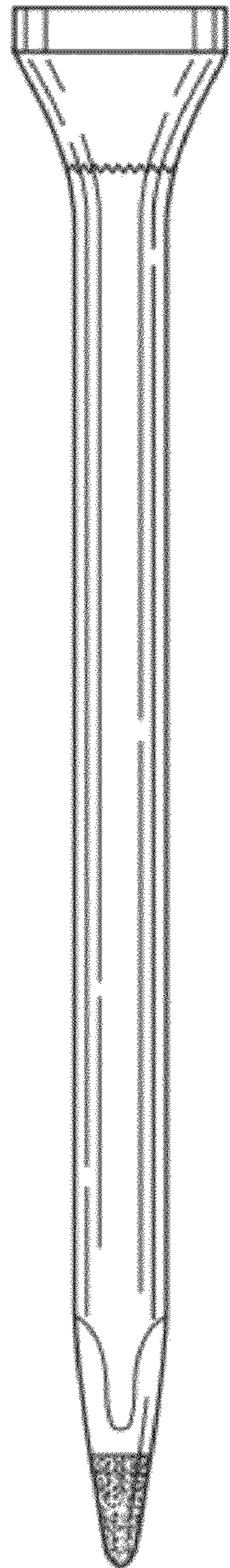


FIG. 3

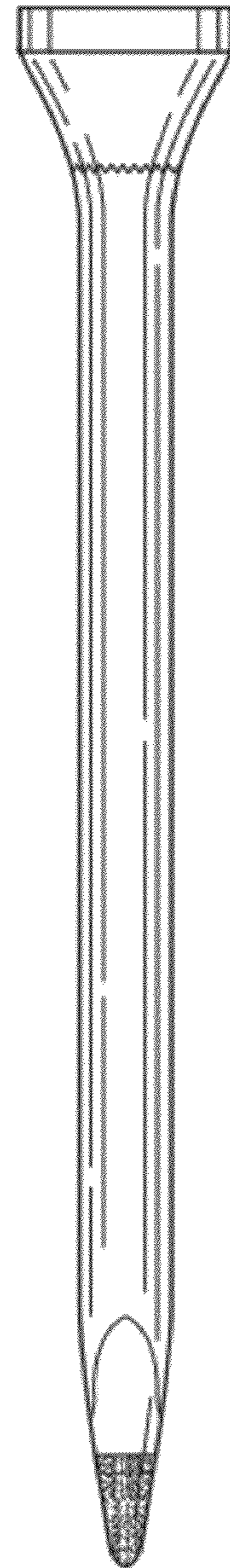


FIG. 4

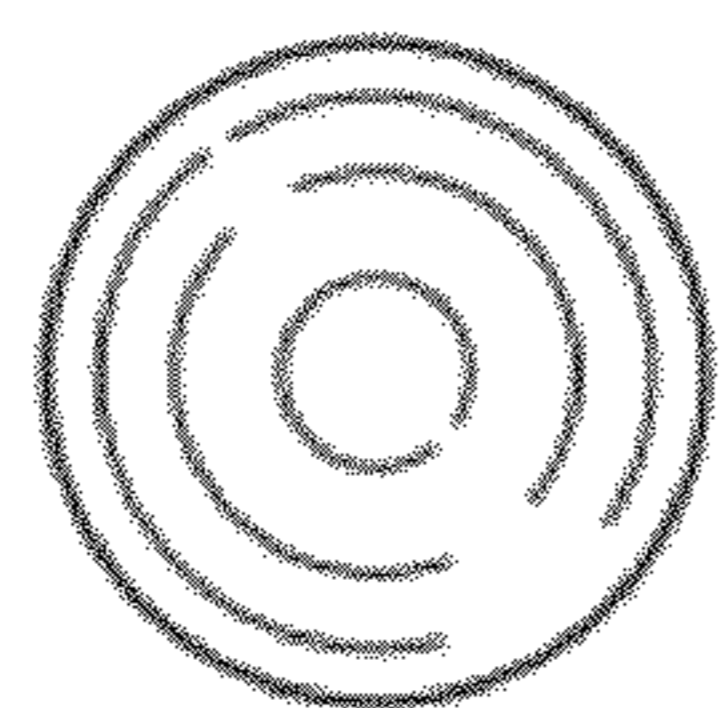


FIG. 5

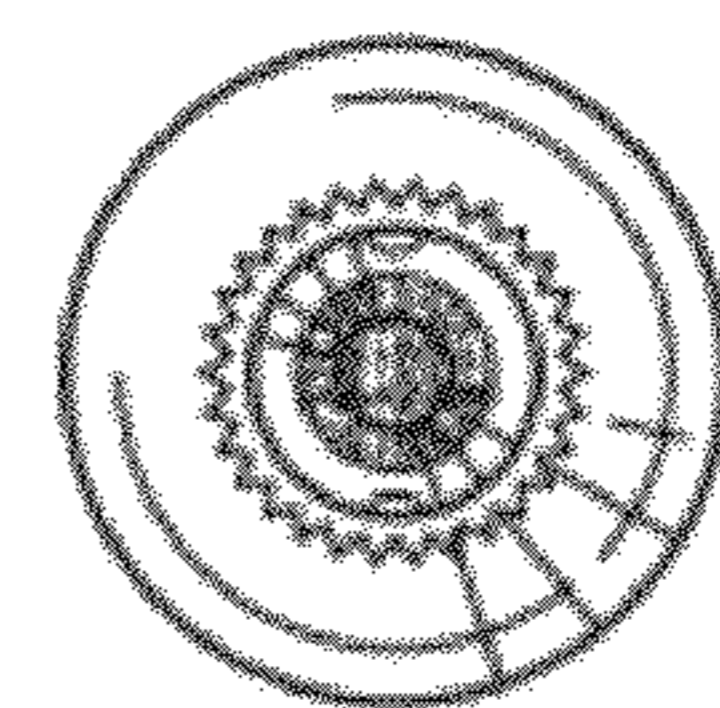


FIG. 6