



US00D664592S

(12) **United States Design Patent**
Nakagawa et al.

(10) **Patent No.:** **US D664,592 S**
(45) **Date of Patent:** **** Jul. 31, 2012**

(54) **PRINTER**

(75) Inventors: **Ryoichi Nakagawa**, Nagoya (JP);
Toshiya Inada, Nagoya (JP)

(73) Assignee: **Brother Industries, Ltd.**, Nagoya (JP)

(**) Term: **14 Years**

(21) Appl. No.: **29/398,866**

(22) Filed: **Aug. 5, 2011**

(30) **Foreign Application Priority Data**

Feb. 14, 2011 (JP) 2011-3055

(51) **LOC (9) Cl.** **14-02**

(52) **U.S. Cl.** **D18/50**

(58) **Field of Classification Search** D18/19,
D18/36-37, 50, 54, 54.1, 55; D14/420-425,
D14/463-470; 400/613, 613.1-613.4, 690,
400/690.1-690.4, 691-694

See application file for complete search history.

(56) **References Cited**

U.S. PATENT DOCUMENTS

D299,346 S *	1/1989	Lehman et al.	D18/54
4,904,100 A *	2/1990	Enix	400/613
D307,157 S *	4/1990	Sakaguchi et al.	D18/54
D322,982 S *	1/1992	Tashiro	D18/54
D447,766 S *	9/2001	Obara et al.	D18/14
D499,388 S *	12/2004	Murakami	D14/507
D516,618 S *	3/2006	Sato	D18/50

D517,111 S *	3/2006	Katayama	D18/50
D518,021 S *	3/2006	Tanaka	D14/168
D522,571 S *	6/2006	Senda et al.	D18/54
D532,448 S *	11/2006	Lim et al.	D18/50
D533,216 S *	12/2006	Sato	D18/50
D545,355 S *	6/2007	Katayama	D18/50
D546,383 S *	7/2007	Wang	D18/50
D554,603 S *	11/2007	Murakami	D14/507
D556,253 S *	11/2007	Hong et al.	D18/50
D558,820 S *	1/2008	Hong et al.	D18/50
D580,939 S *	11/2008	Fitch et al.	D14/420
D620,492 S *	7/2010	Tang et al.	D14/422
D650,008 S *	12/2011	Zindl et al.	D18/15
D652,445 S *	1/2012	Burton et al.	D18/50

* cited by examiner

Primary Examiner — Cathy A MacCormac

(74) *Attorney, Agent, or Firm* — Oliff & Berridge, PLC

(57) **CLAIM**

The ornamental design for a printer, as shown and described.

DESCRIPTION

FIG. 1 is a perspective view of a printer;

FIG. 2 is a front view thereof;

FIG. 3 is a top view thereof;

FIG. 4 is a right-side view thereof;

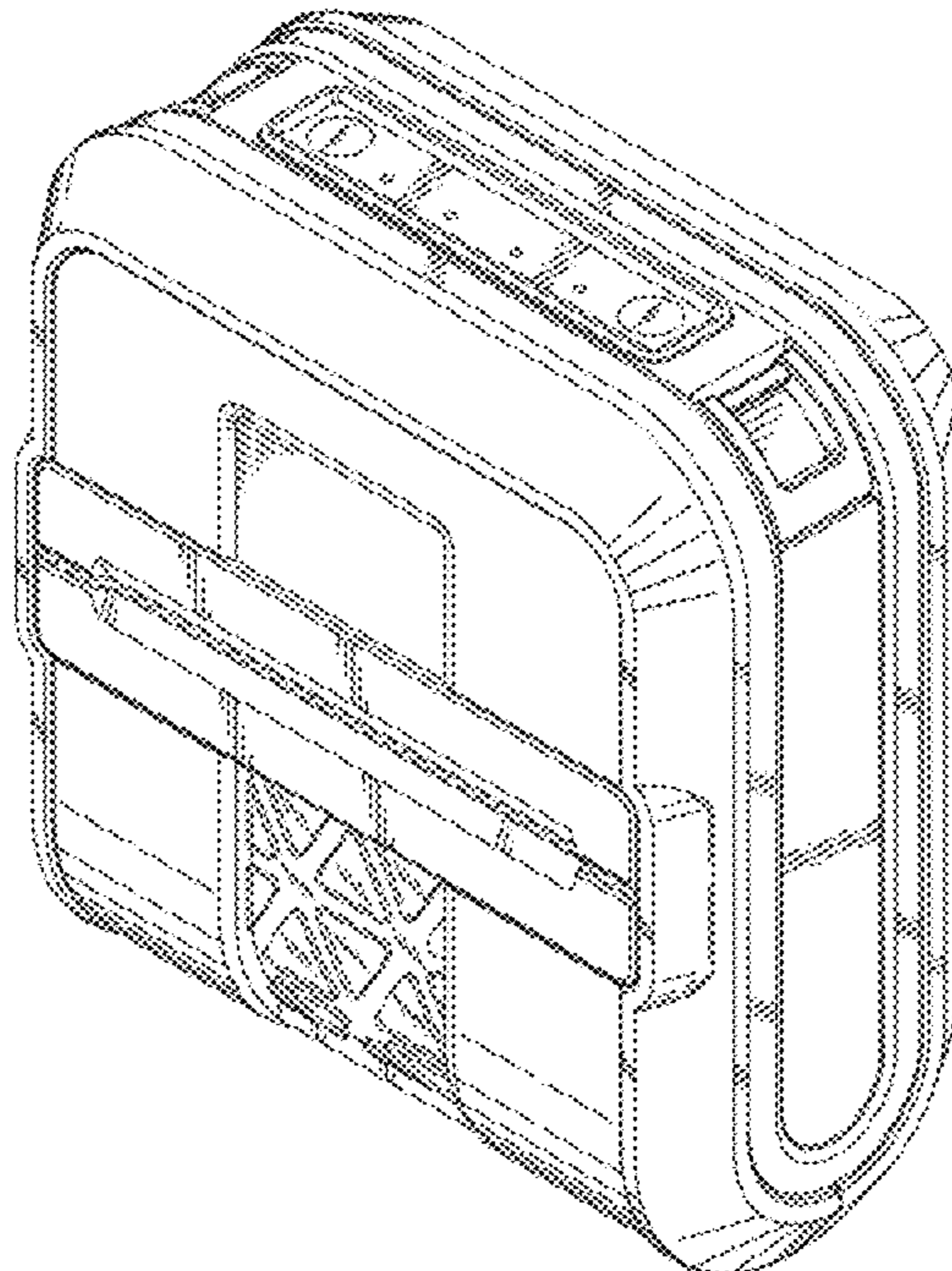
FIG. 5 is a left-side view thereof;

FIG. 6 is a rear view thereof; and,

FIG. 7 is a bottom view thereof.

The broken lines depict environmental subject matter only and form no part of the claimed design.

1 Claim, 6 Drawing Sheets



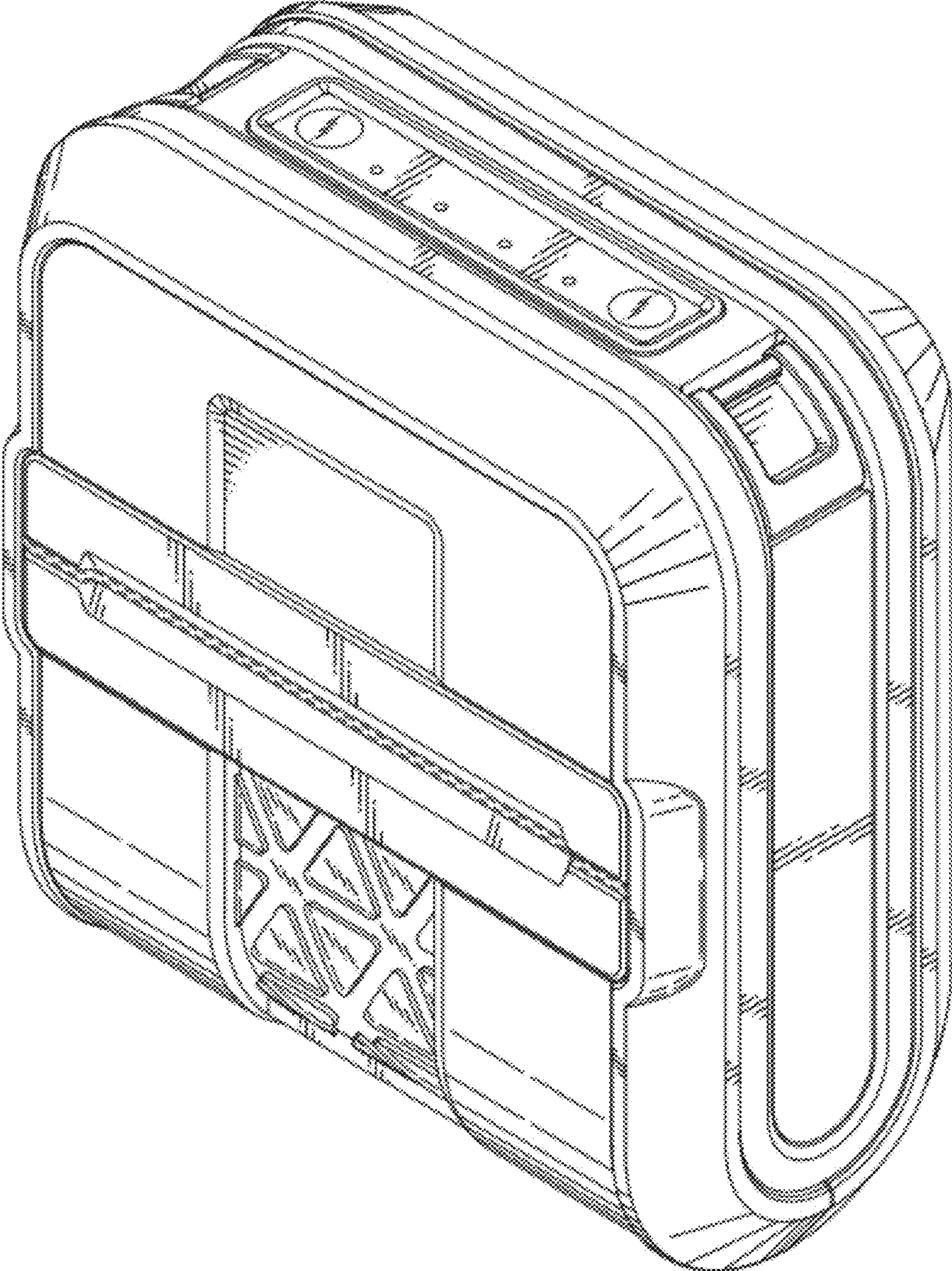


FIG. 1

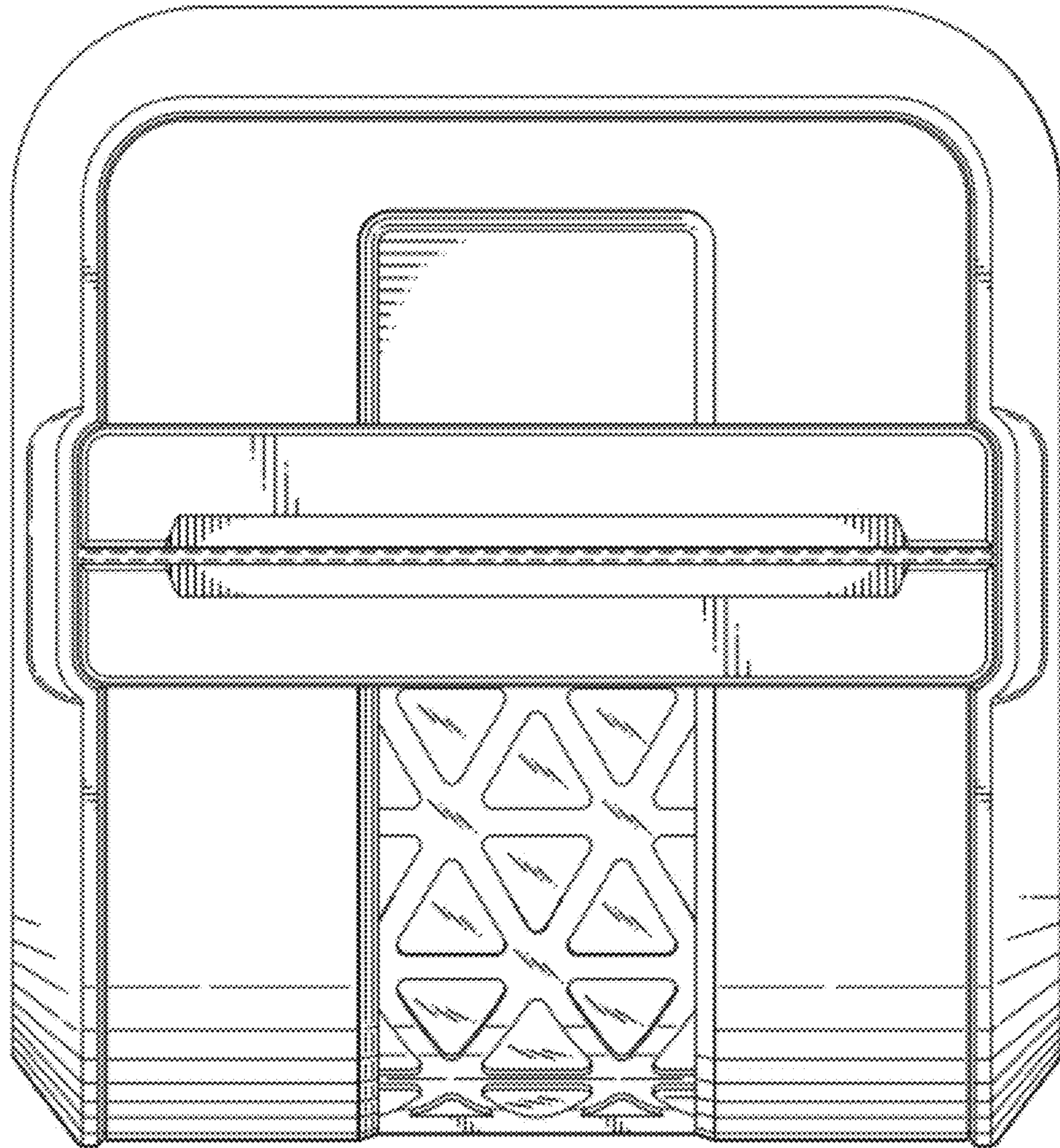


FIG. 2

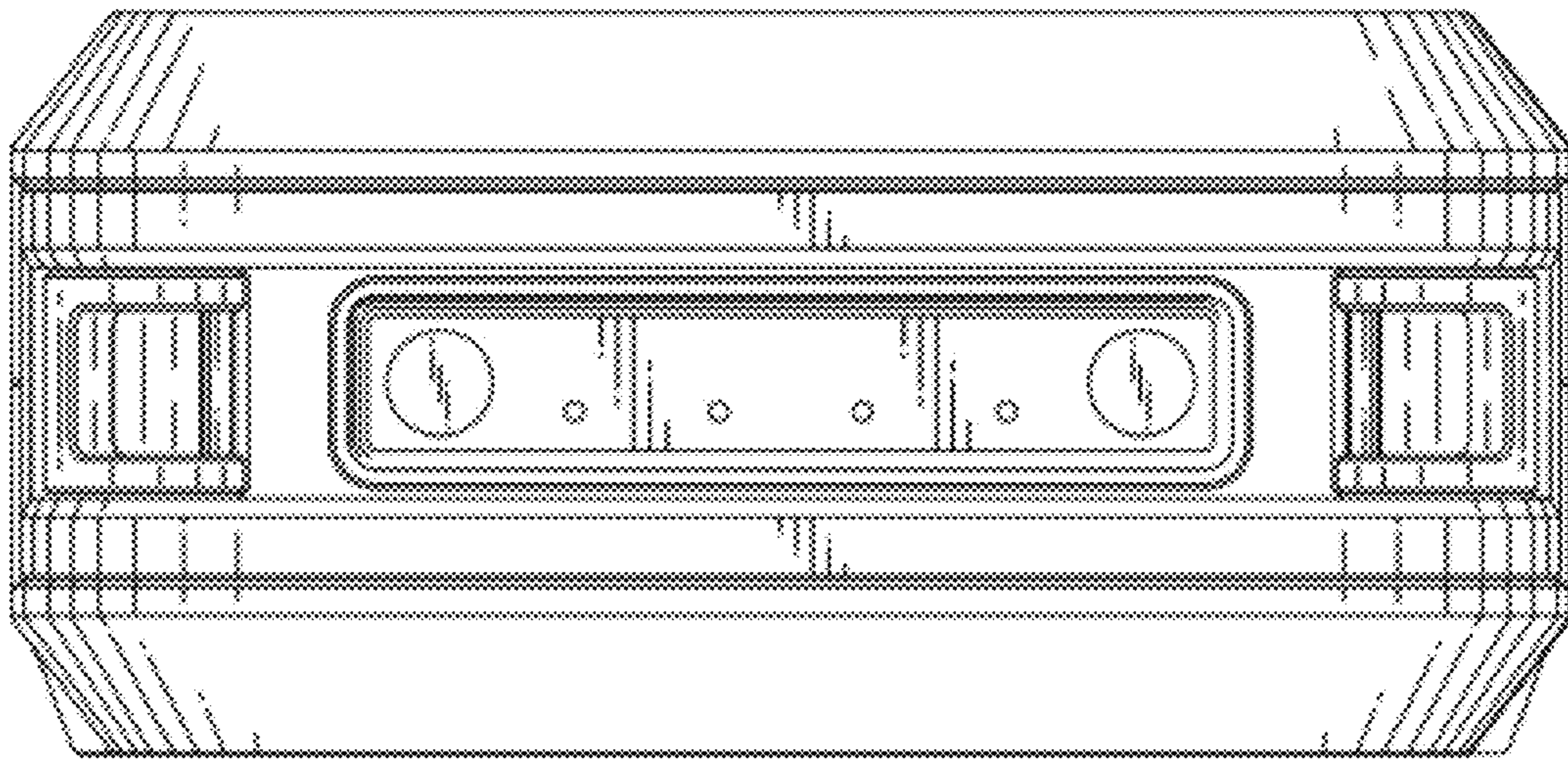


FIG. 3

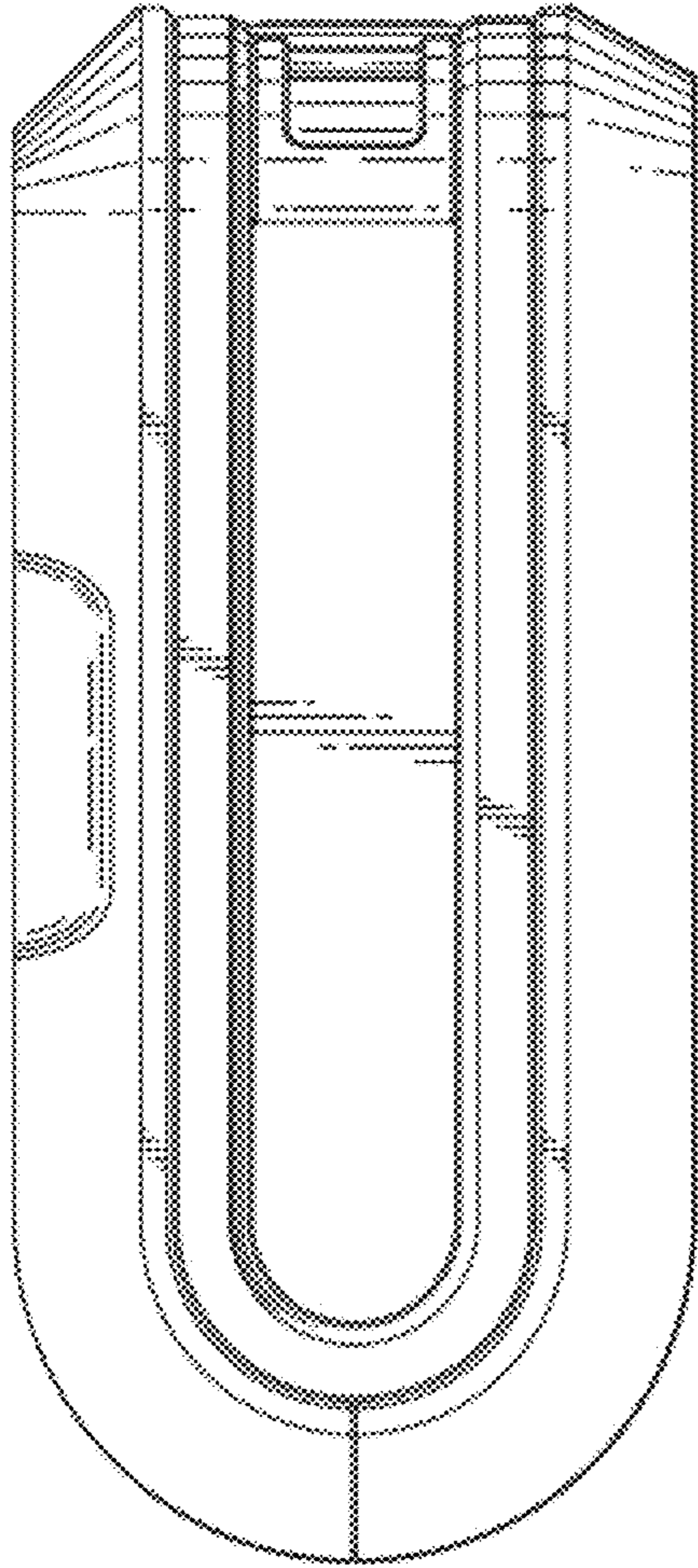


FIG. 4

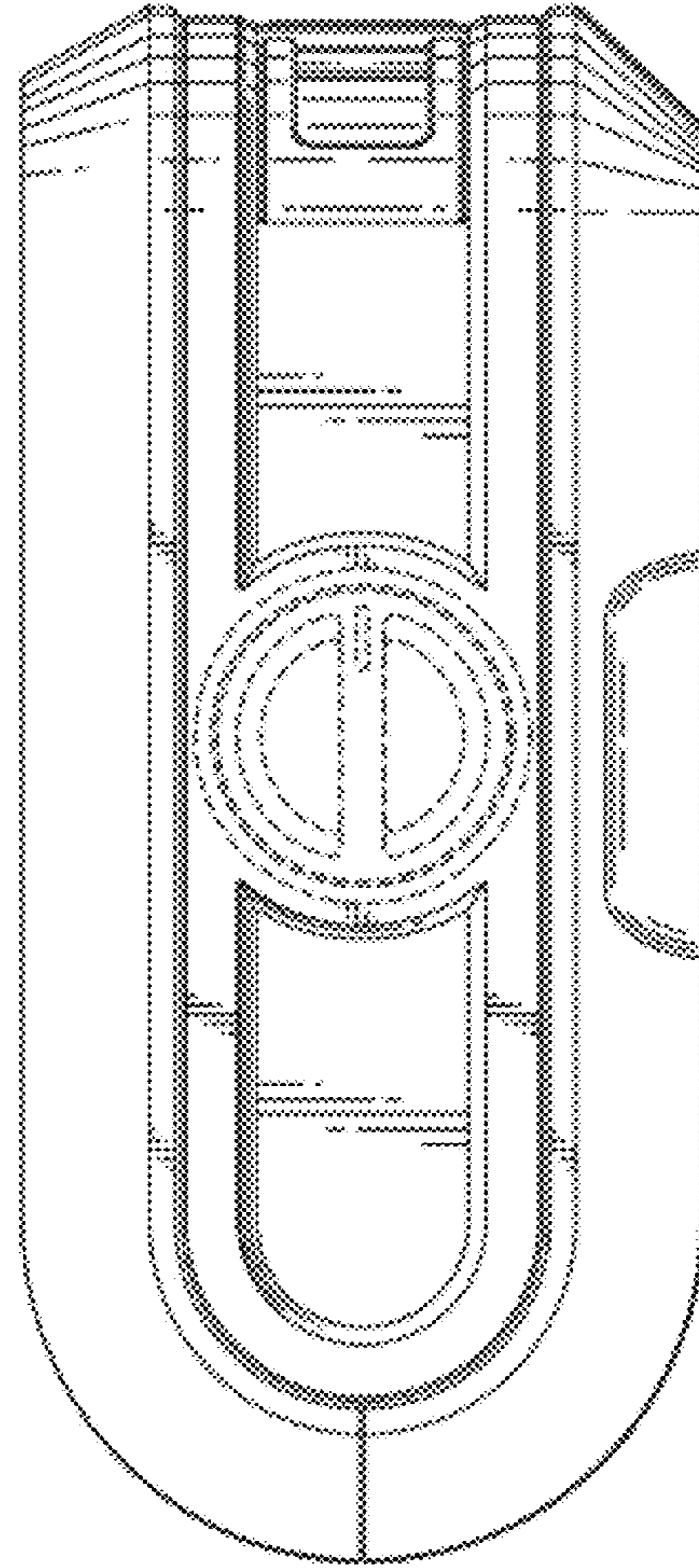


FIG. 5

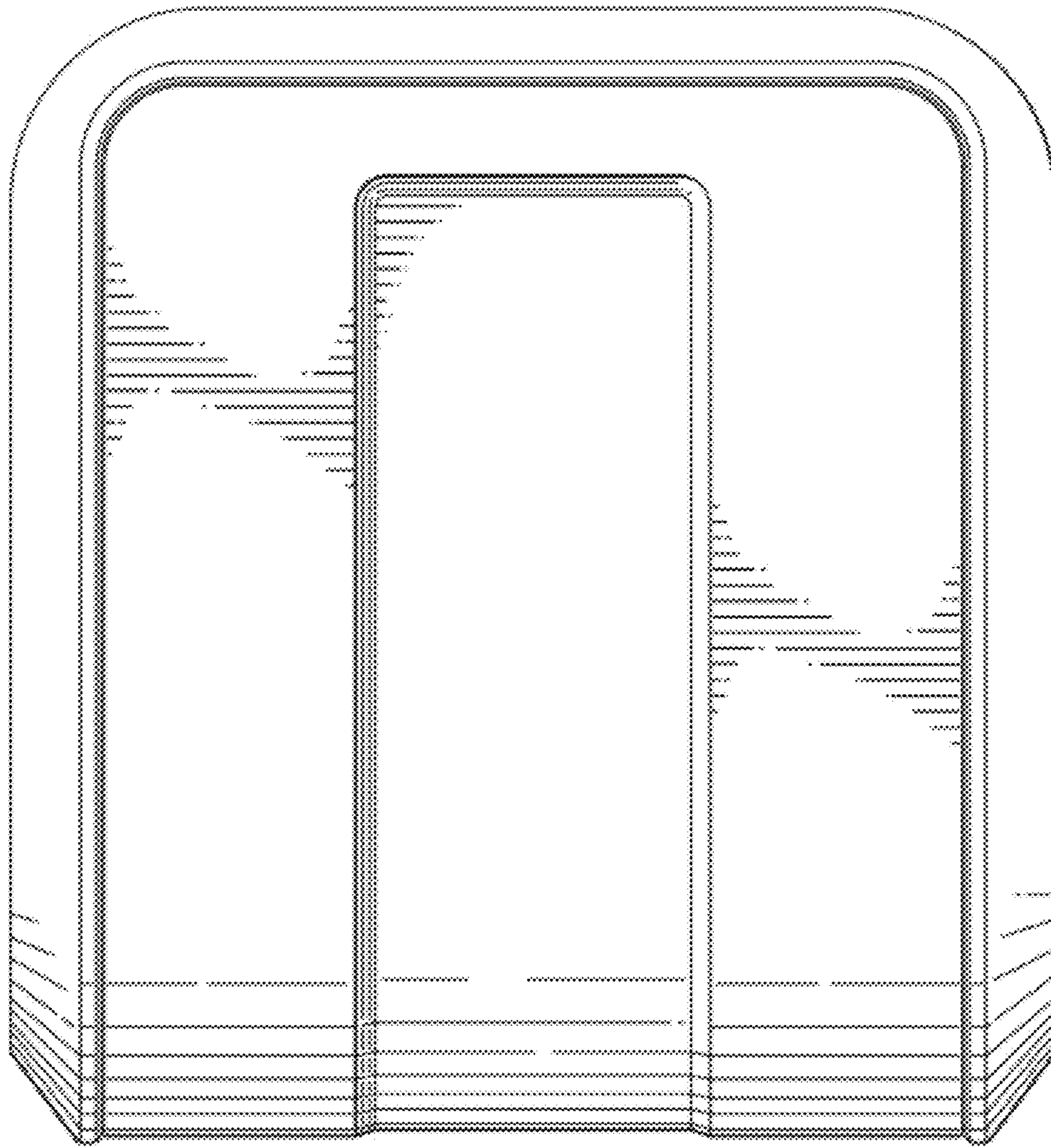


FIG. 6

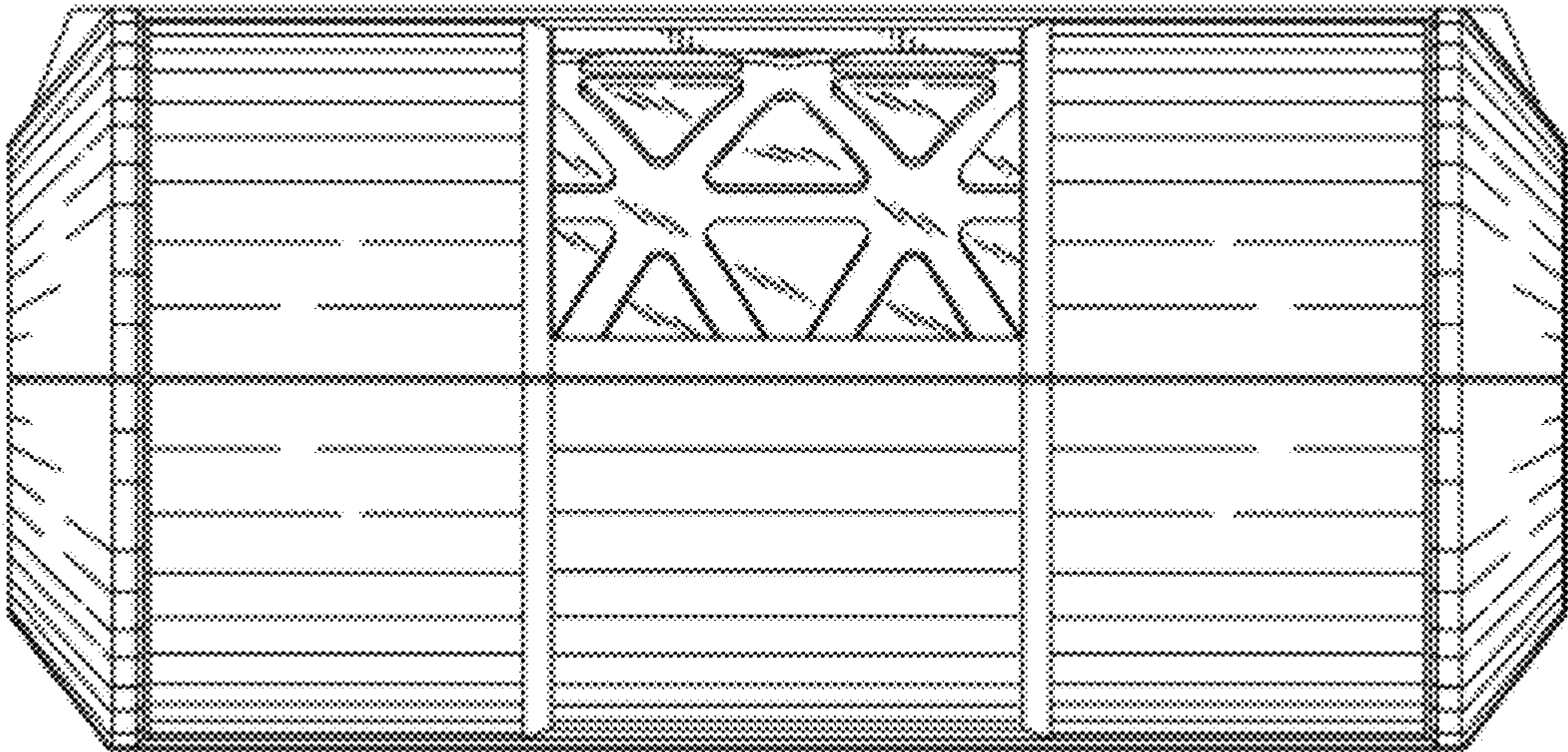


FIG. 7