

US00D664586S

(12) **United States Design Patent**
Olsson

(10) **Patent No.:** **US D664,586 S**

(45) **Date of Patent:** **** Jul. 31, 2012**

(54) **WEARABLE DISPLAY DEVICE**

(75) Inventor: **Maj Isabelle Olsson**, San Francisco, CA (US)

(73) Assignee: **Google Inc.**, Mountain View, CA (US)

(**) Term: **14 Years**

(21) Appl. No.: **29/404,646**

(22) Filed: **Oct. 24, 2011**

(51) **LOC (9) Cl.** **16-06**

(52) **U.S. Cl.** **D16/300**

(58) **Field of Classification Search** D16/101,
D16/300-342, 900; D29/109-110; D24/110.2;
351/41, 44, 51-52, 62, 158, 92, 103-123,
351/140, 153, 45-46; 2/426-432, 447-449,
2/441, 434-437, 13, 15; D21/483, 659-661;
D14/372

See application file for complete search history.

(56) **References Cited**

U.S. PATENT DOCUMENTS

3,944,344	A *	3/1976	Wichers	351/41
D334,557	S *	4/1993	Hunter et al.	D14/372
D337,320	S *	7/1993	Hunter et al.	D14/372
D354,974	S *	1/1995	Wielhouwer	D16/301
D402,651	S *	12/1998	Depay et al.	D14/372
D428,620	S *	7/2000	Maturaporn	D16/314
D436,960	S *	1/2001	Budd et al.	D14/372
D512,985	S *	12/2005	Travers et al.	D14/206
D533,893	S *	12/2006	Canavan et al.	D16/330
D559,250	S *	1/2008	Pombo	D14/372
D565,082	S *	3/2008	McClure et al.	D16/309
D578,120	S *	10/2008	Lowe et al.	D14/372
8,029,132	B1 *	10/2011	Park	351/59

* cited by examiner

Primary Examiner — Raphael Barkai

(74) *Attorney, Agent, or Firm* — Lerner, David, Littenberg, Krumholz & Mentlik, LLP

(57) **CLAIM**

The ornamental design for a wearable display device, as shown and described.

DESCRIPTION

FIG. 1 is a front perspective view of a wearable display device according to our design;

FIG. 2 is a right side elevation view the wearable display device of FIG. 1;

FIG. 3 is a left side elevation view of the wearable display device of FIG. 1;

FIG. 4 is a front elevation view of the wearable display device of FIG. 1;

FIG. 5 is a front perspective view of a wearable display device according to a modified embodiment of our design;

FIG. 6 is a front elevation view of the wearable display device of FIG. 5;

FIG. 7 is a back elevation view of the wearable display device of FIG. 5;

FIG. 8 is a right elevation view of the wearable display device of FIG. 5;

FIG. 9 is a left elevation view of the wearable display device of FIG. 5;

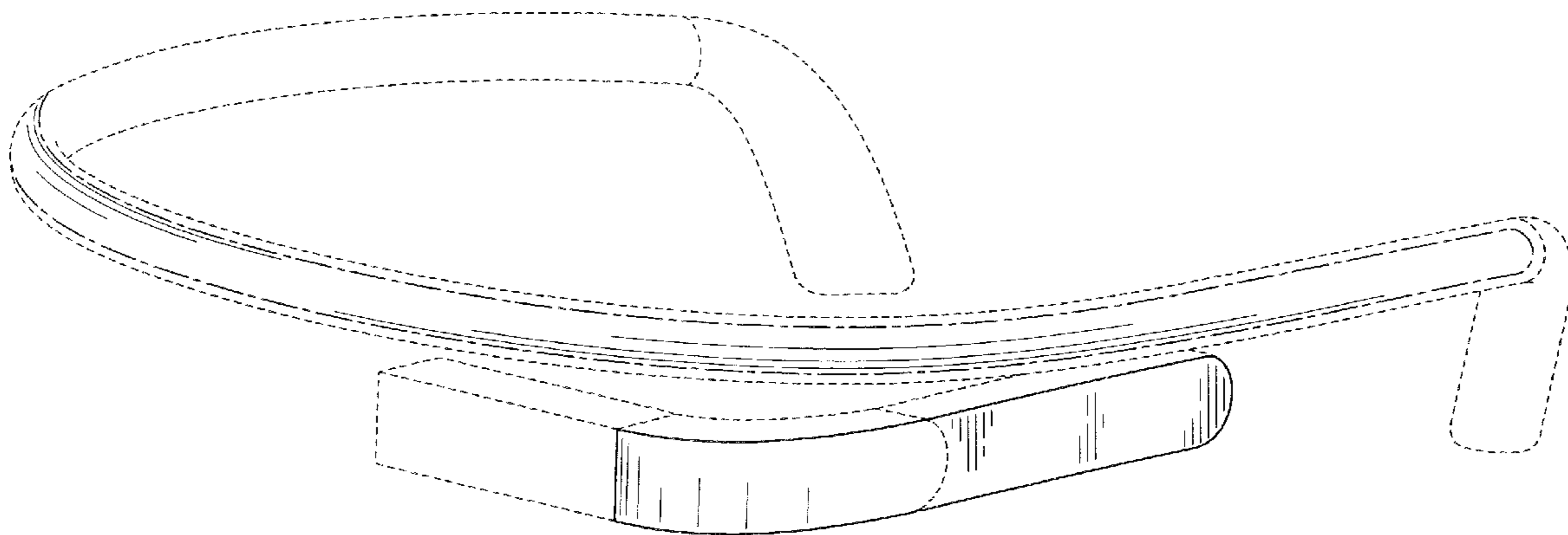
FIG. 10 is a top elevation view of the wearable display device of FIG. 5; and,

FIG. 11 is a bottom elevation view of the wearable display device of FIG. 5.

Broken lines are environmental only and form no part of the claimed design.

Dash-dot lines represent bounds of associated portions of the claimed design and form no part of the claimed design.

1 Claim, 7 Drawing Sheets



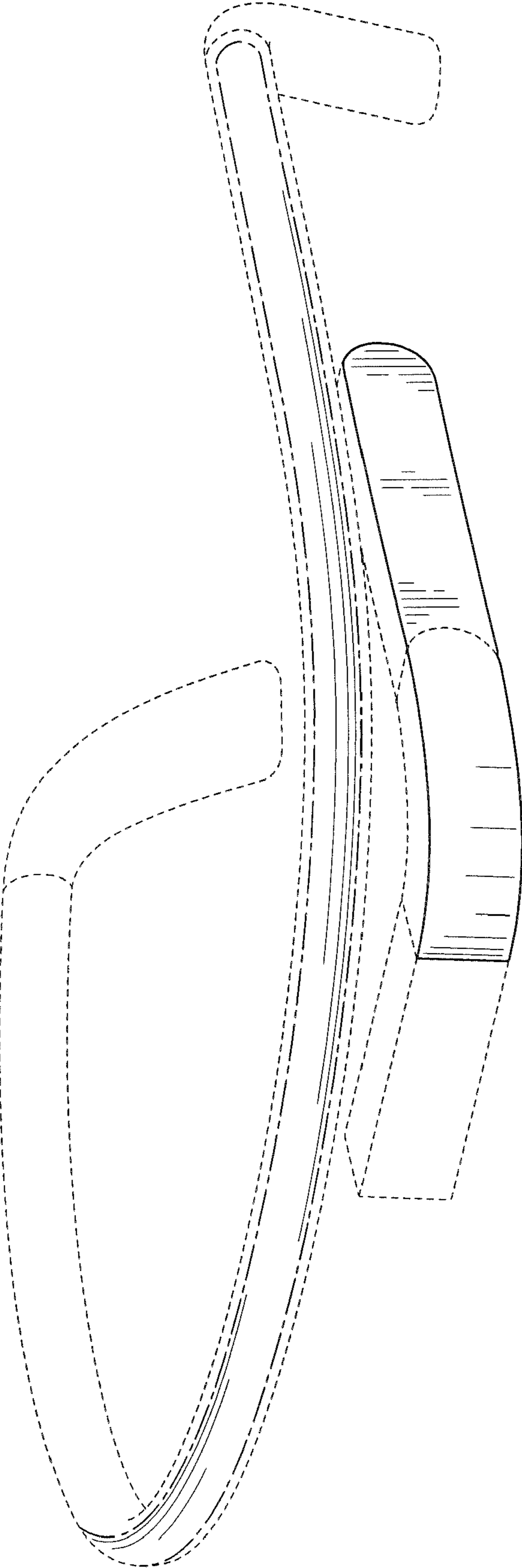


FIG. 1

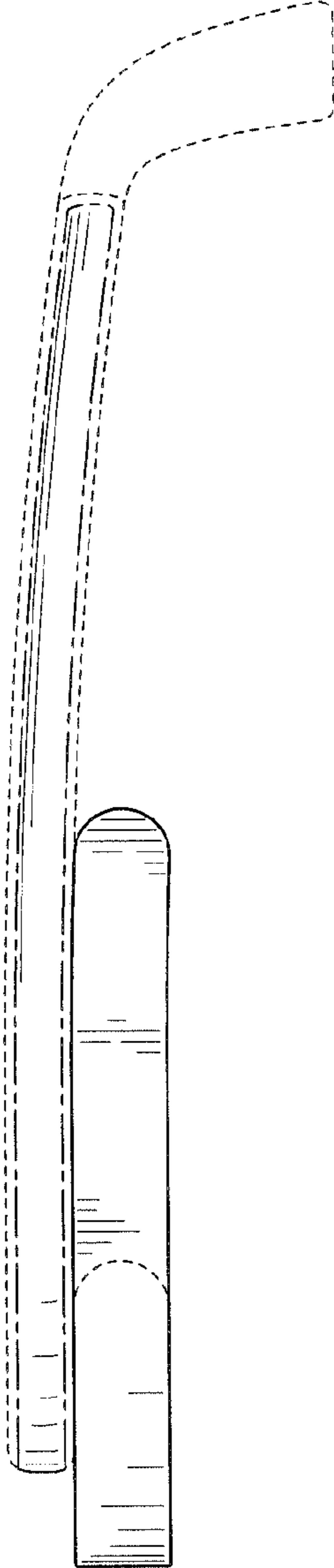


FIG. 2

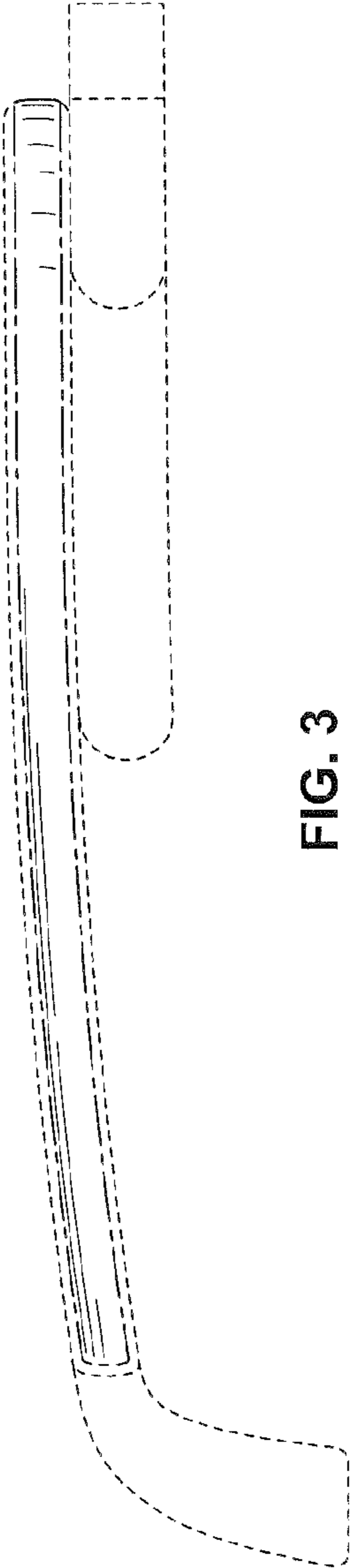


FIG. 3

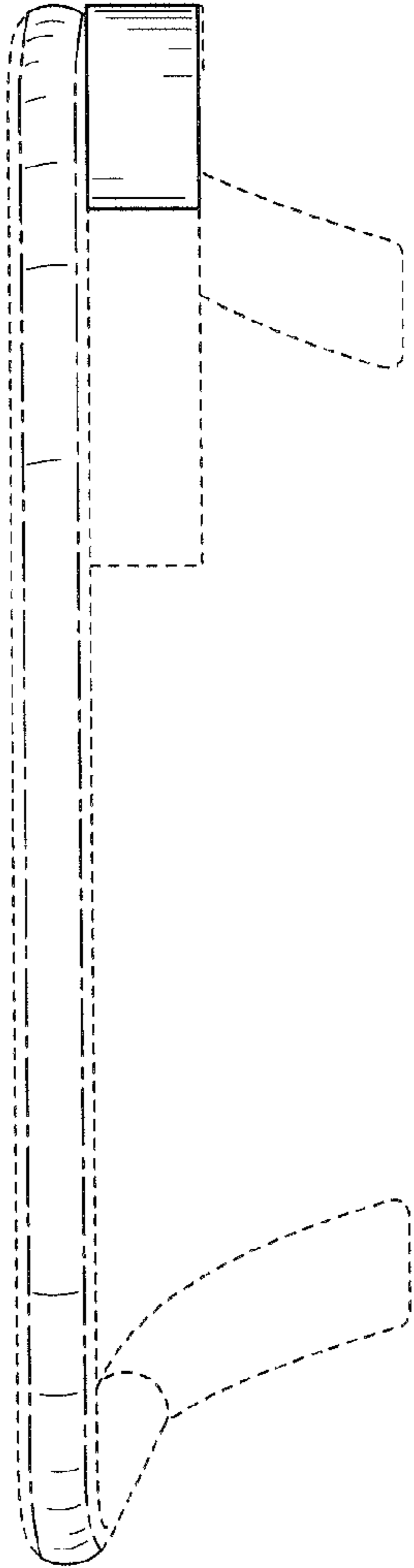


FIG. 4

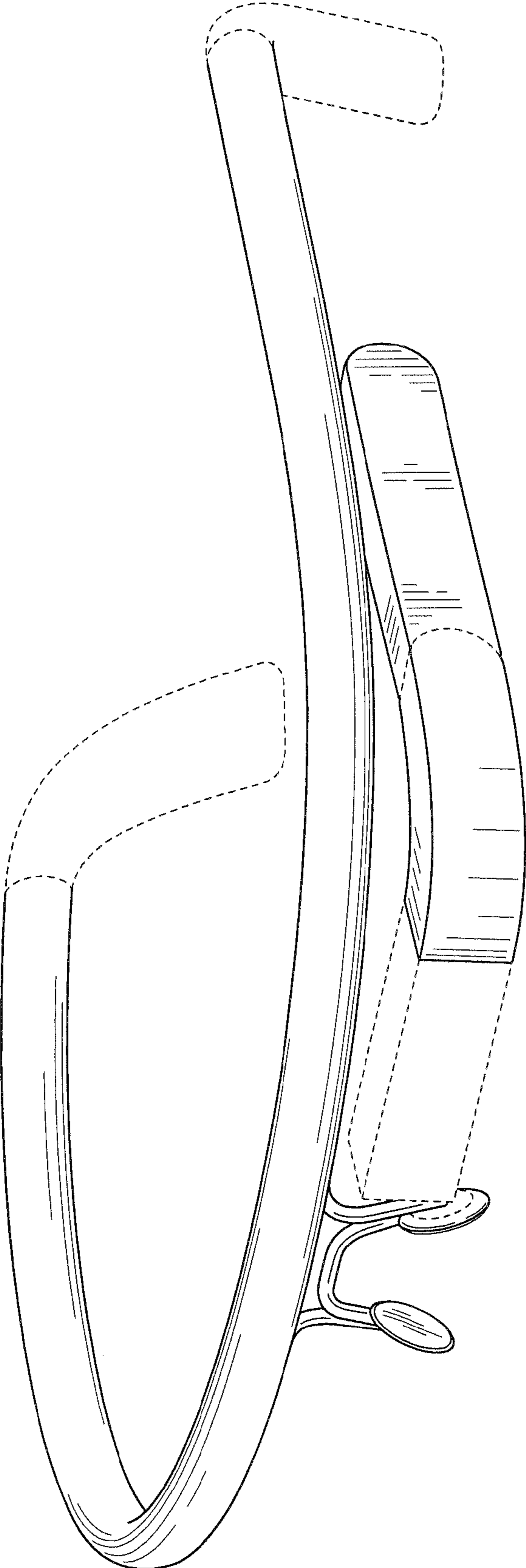


FIG. 5

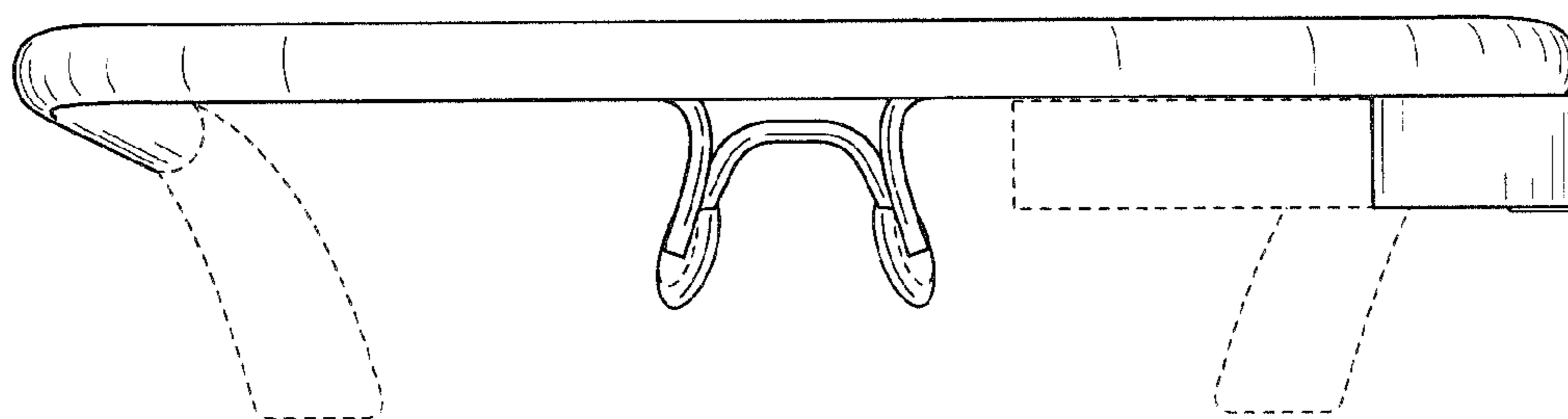


FIG. 6

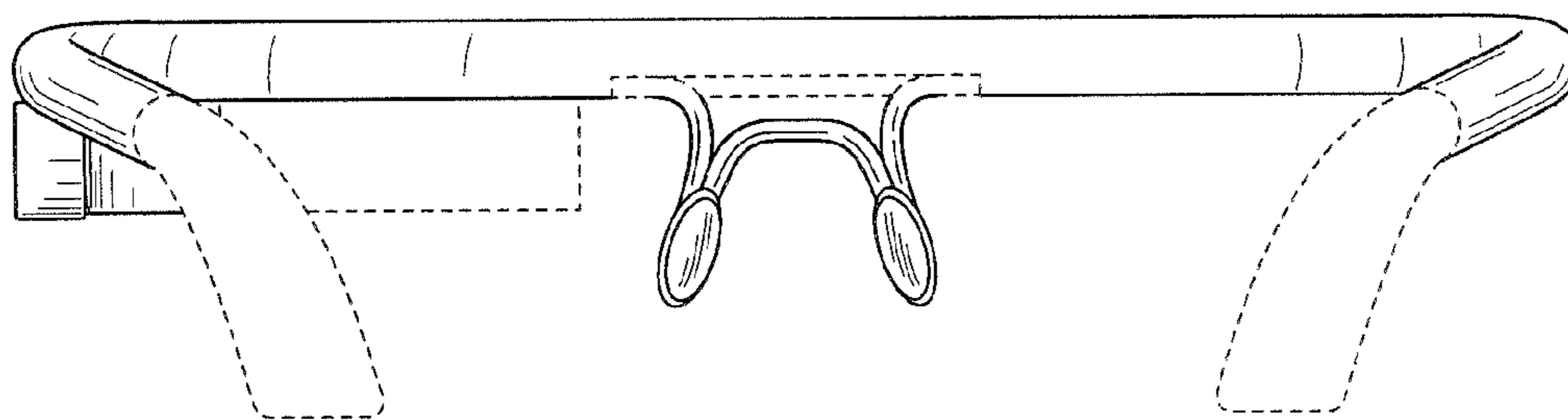


FIG. 7

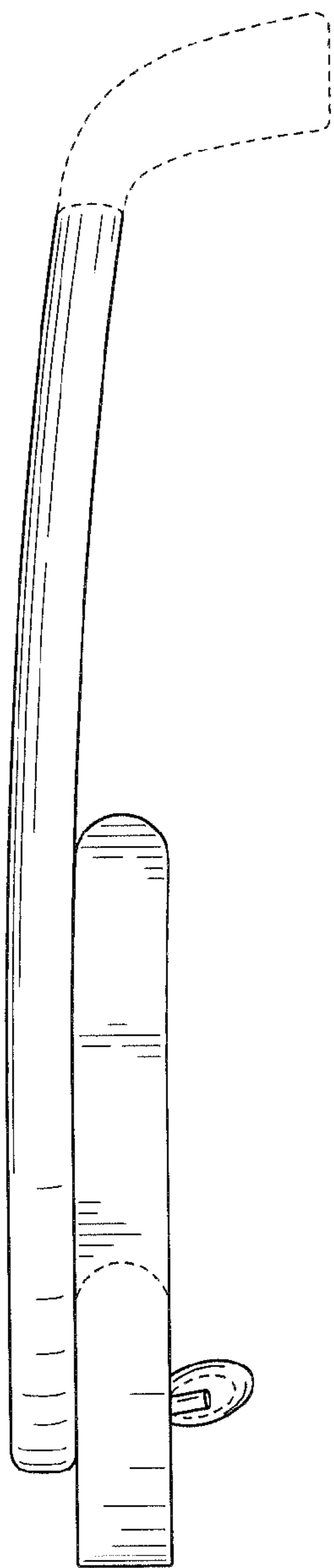


FIG. 8

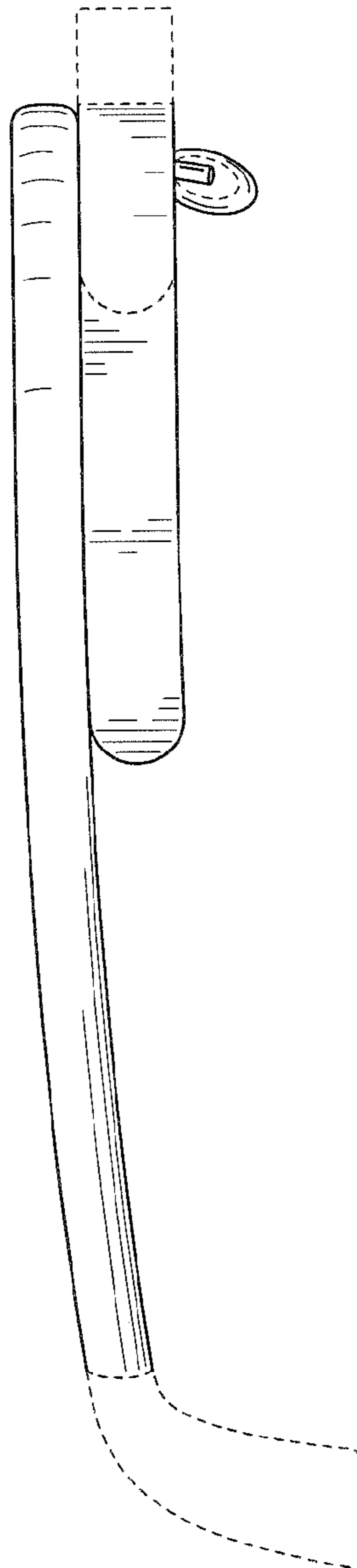


FIG. 9

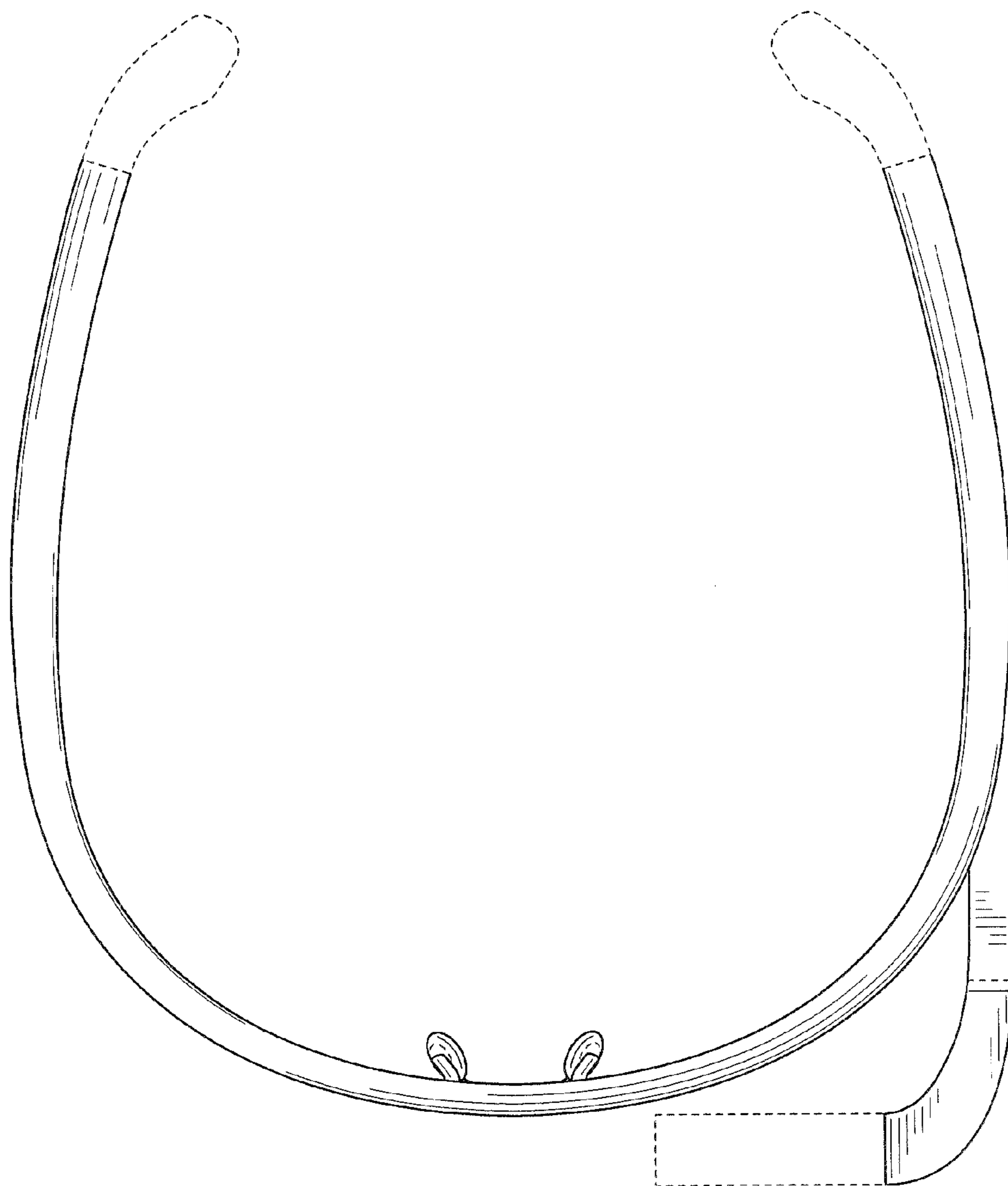


FIG. 10

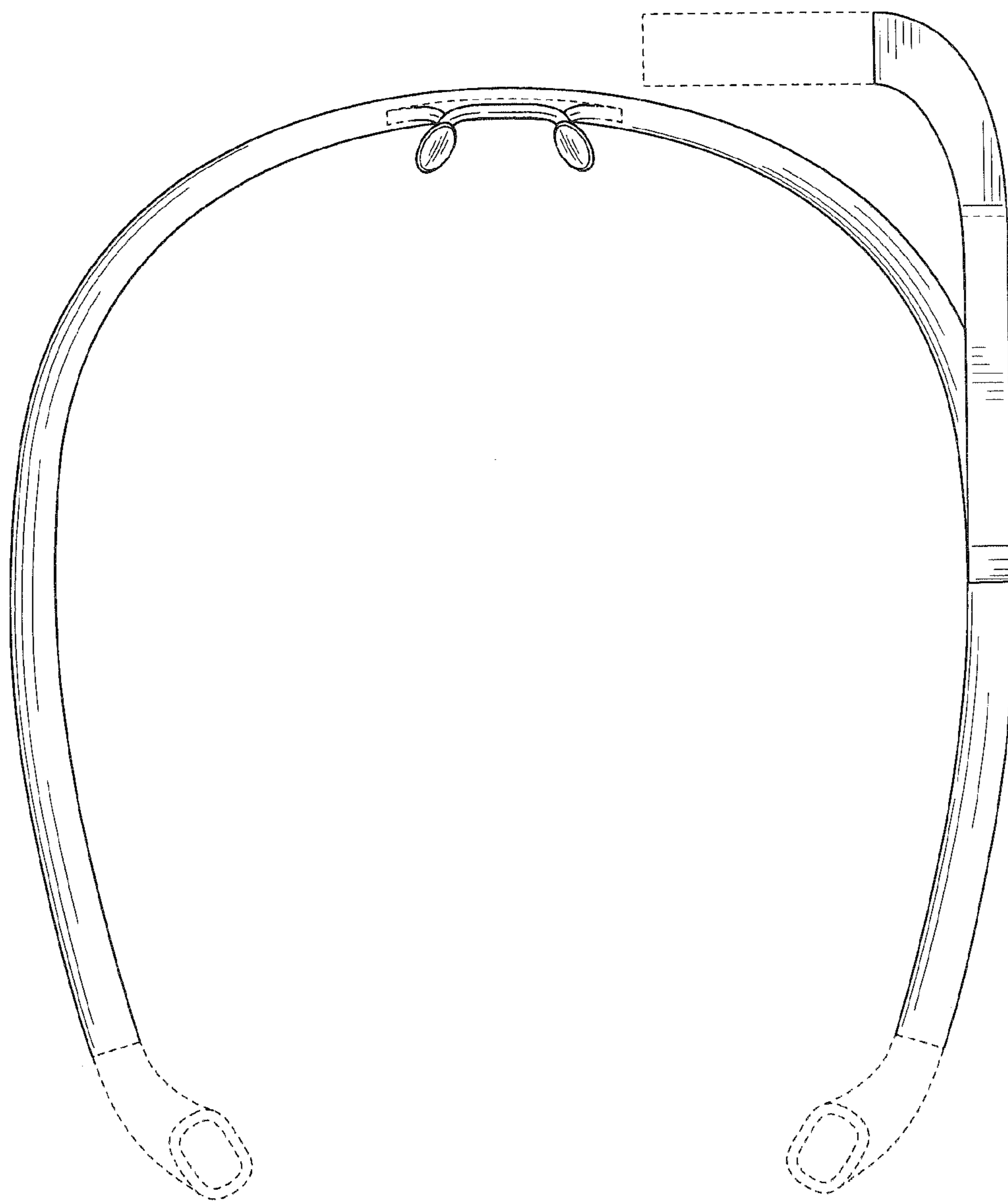


FIG. 11