



US00D664583S

(12) **United States Design Patent**  
**Asano et al.**

(10) **Patent No.:** **US D664,583 S**  
(45) **Date of Patent:** **\*\* Jul. 31, 2012**

(54) **CAMERA LENS**

(75) Inventors: **Hideaki Asano**, Chiba (JP); **Arata Ono**,  
Odawara (JP); **Masaaki Yanagisawa**,  
Chigasaki (JP)

(73) Assignee: **Nikon Corporation** (JP)

(\*\*) Term: **14 Years**

(21) Appl. No.: **29/398,582**

(22) Filed: **Aug. 2, 2011**

(30) **Foreign Application Priority Data**

Feb. 7, 2011 (JP) ..... 2011-002537

(51) **LOC (9) Cl.** ..... **16-05**

(52) **U.S. Cl.** ..... **D16/219**

(58) **Field of Classification Search** ..... D16/134,  
D16/136, 200, 204, 219; 359/819, 827, 828;  
396/529-532

See application file for complete search history.

(56) **References Cited**

U.S. PATENT DOCUMENTS

D375,969 S \* 11/1996 Watanabe ..... D16/134  
D449,322 S \* 10/2001 Ono et al. .... D16/134

D451,116 S \* 11/2001 Kono et al. .... D16/202  
D505,685 S \* 5/2005 Yoshida ..... D16/219  
D605,681 S \* 12/2009 Obata ..... D16/219  
8,002,483 B2 \* 8/2011 Fujiwara et al. .... 396/531

\* cited by examiner

*Primary Examiner* — Adir Aronovich

(74) *Attorney, Agent, or Firm* — Ceasar, Rivise, Bernstein,  
Cohen & Pokotilow, Ltd.

(57) **CLAIM**

The ornamental design for a camera lens, as shown and  
described.

**DESCRIPTION**

FIG. 1 is a front perspective view of a camera lens showing  
our new design;

FIG. 2 is a front elevational view thereof;

FIG. 3 is a rear elevational view thereof;

FIG. 4 is a top plan view thereof;

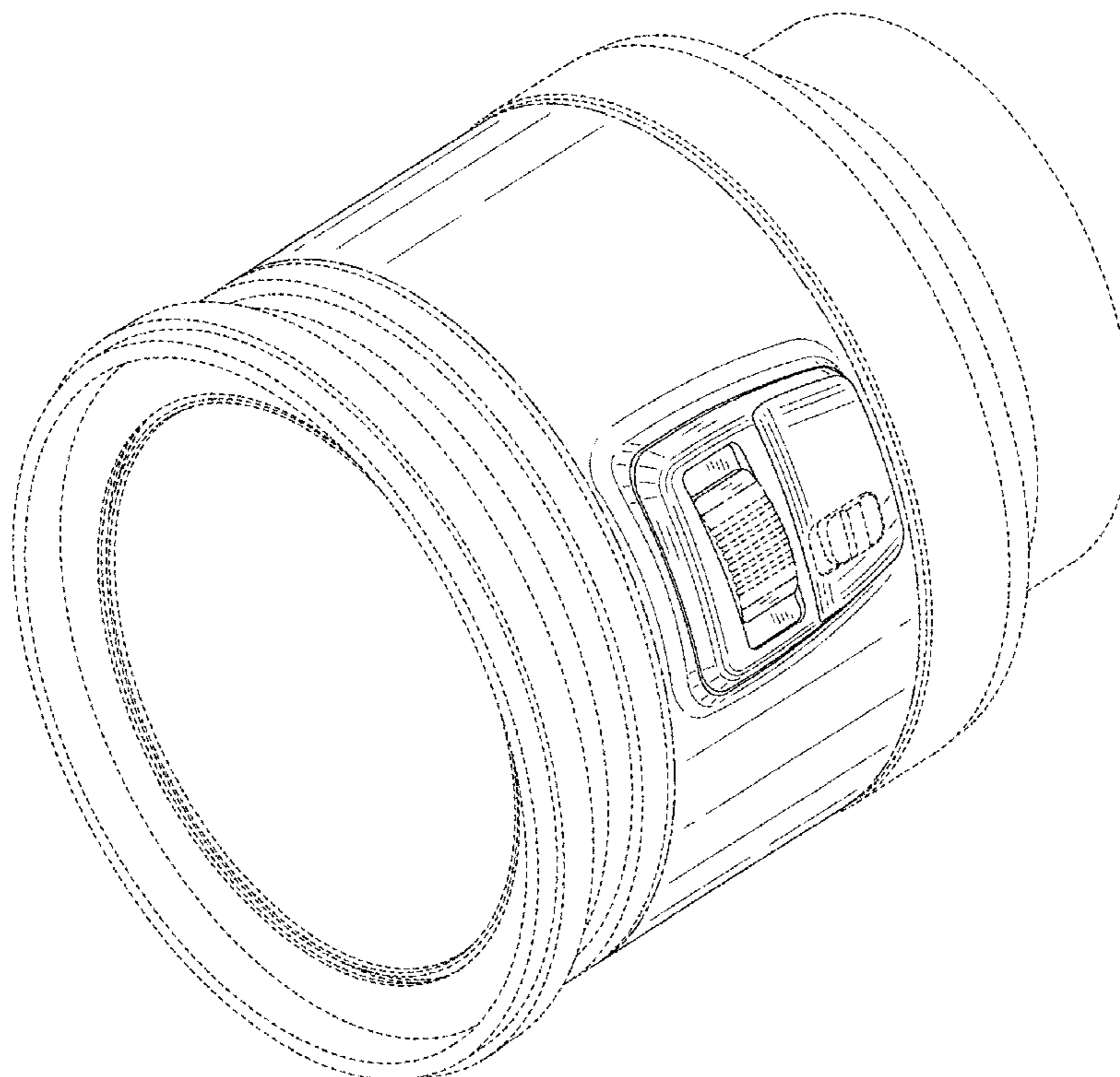
FIG. 5 is a bottom plan view thereof;

FIG. 6 is a right side elevational view thereof; and,

FIG. 7 is a left side elevational view thereof.

The features shown in broken lines in the drawings depict  
environmental subject matter only and form no part of the  
claimed design. The dot-dash broken lines define the bound-  
aries of the claimed design but form no part thereof.

**1 Claim, 7 Drawing Sheets**



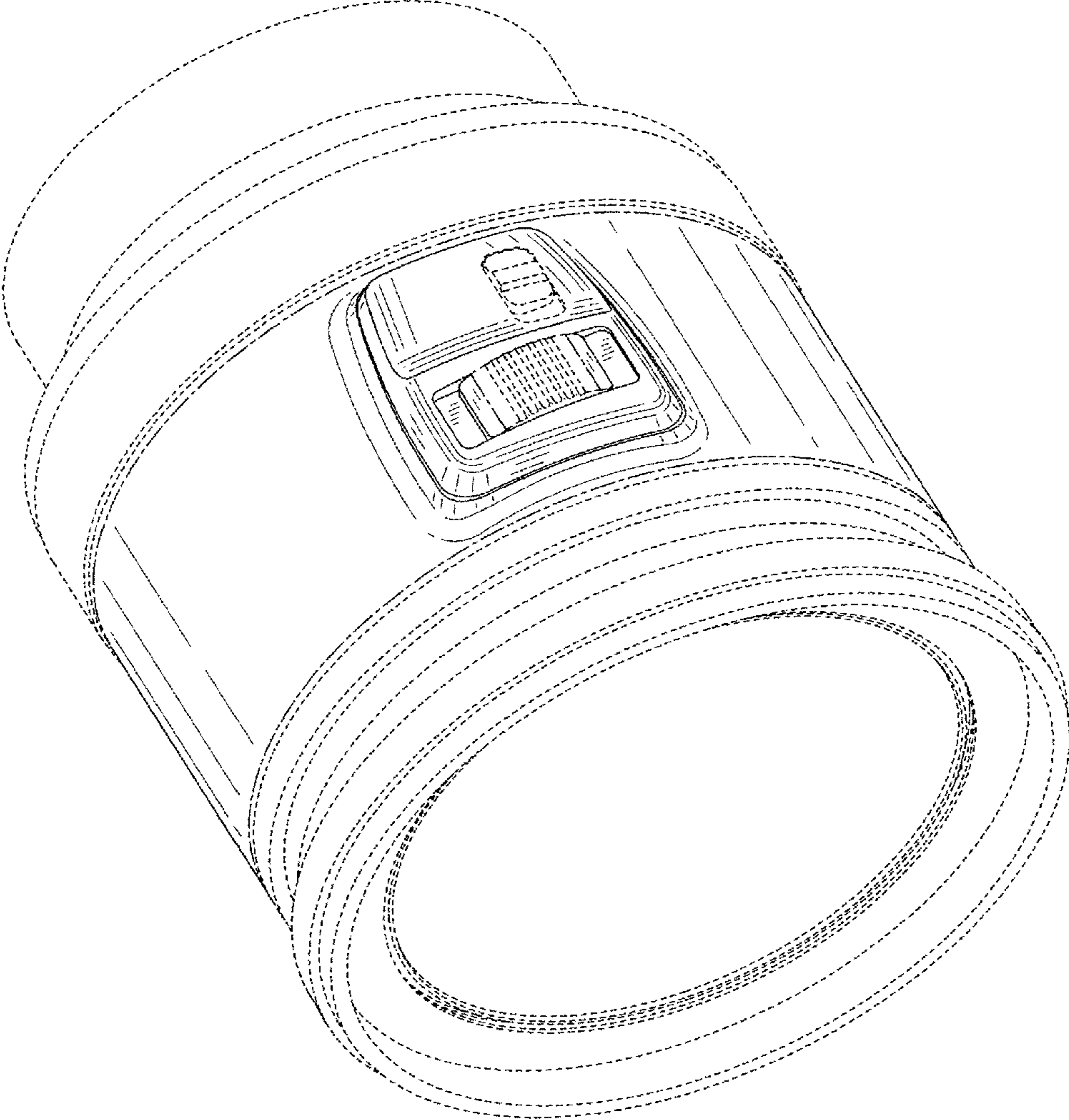
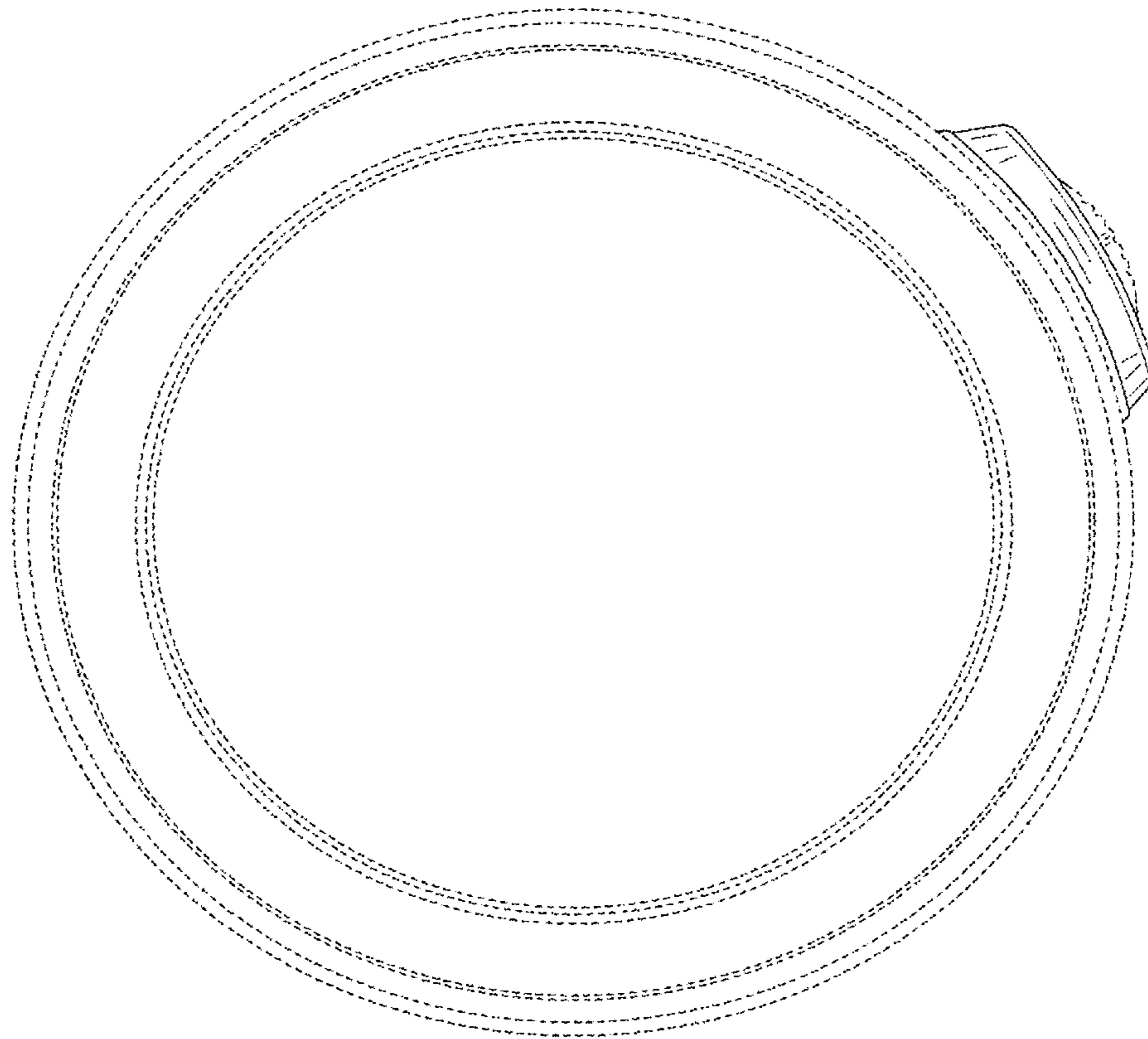
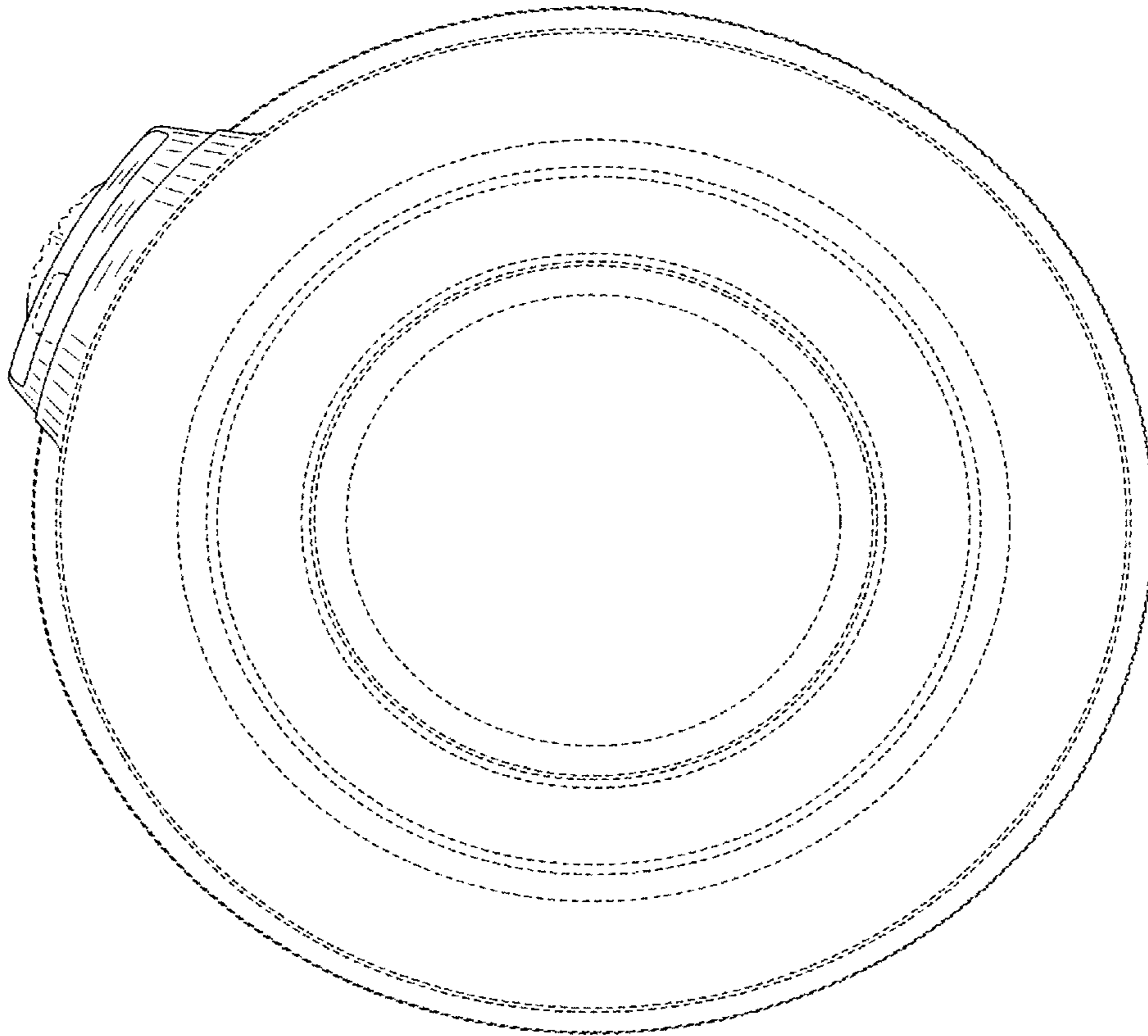


Fig. 1

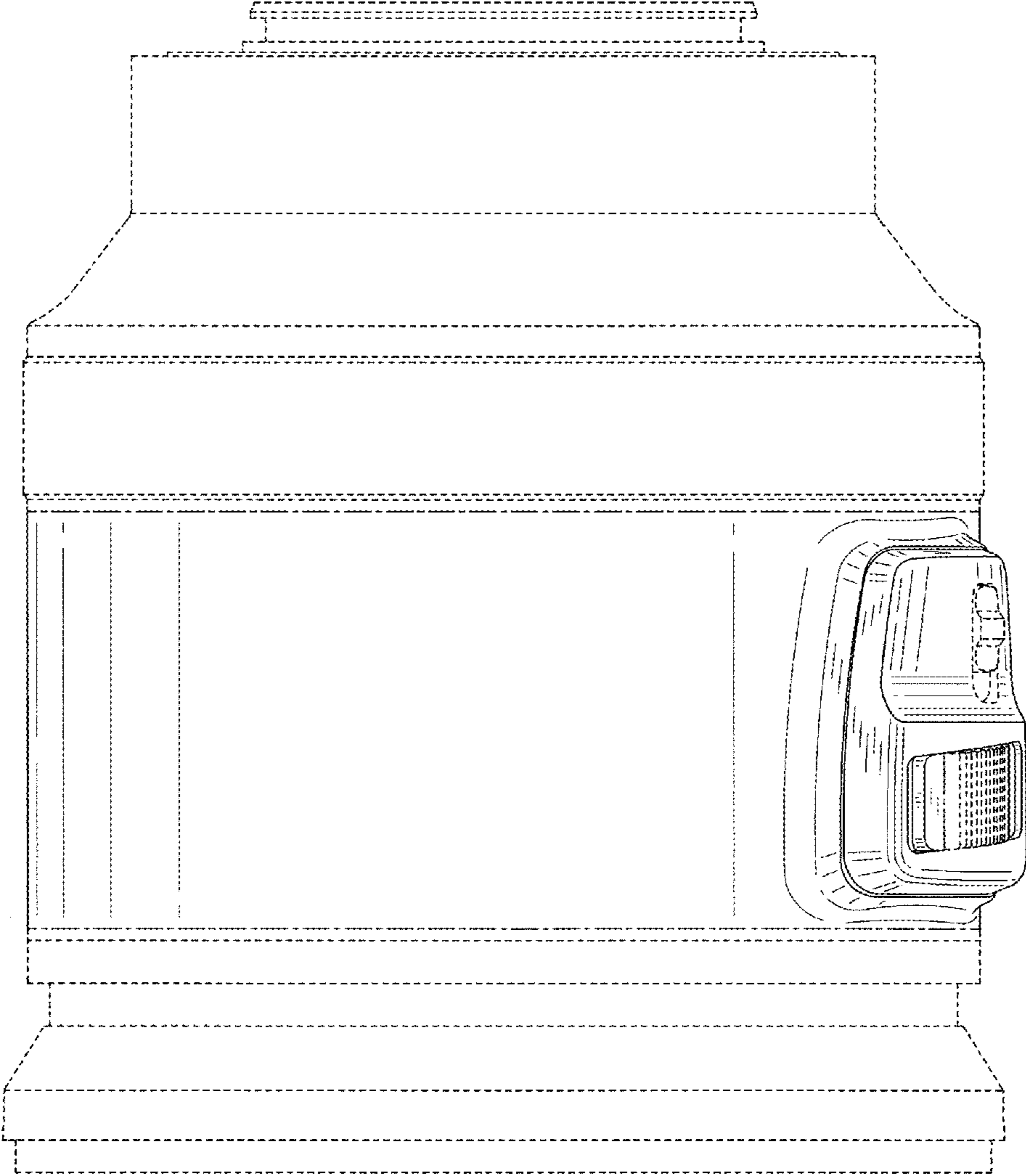
**Fig. 2**



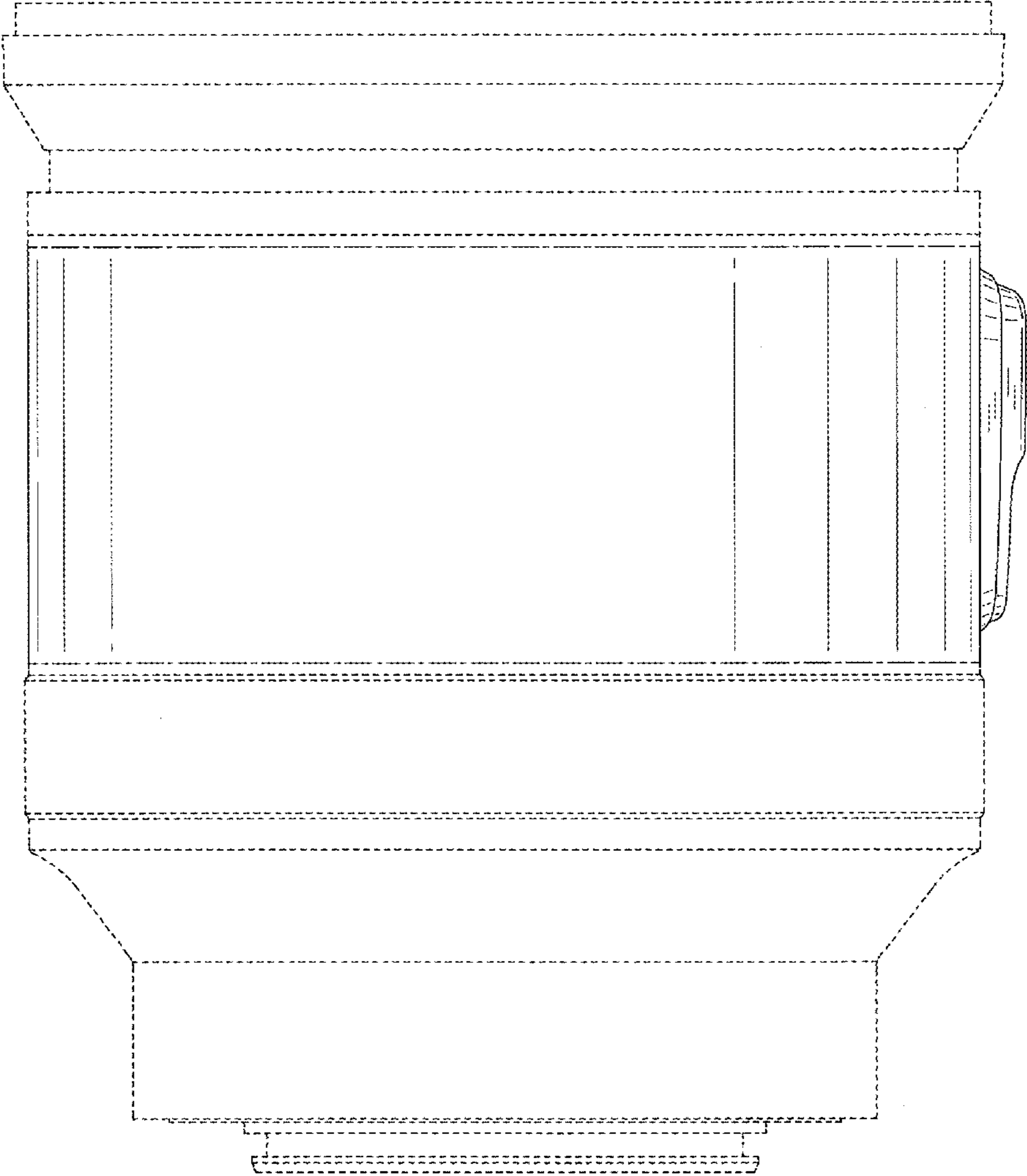
**Fig. 3**



**Fig. 4**



**Fig. 5**



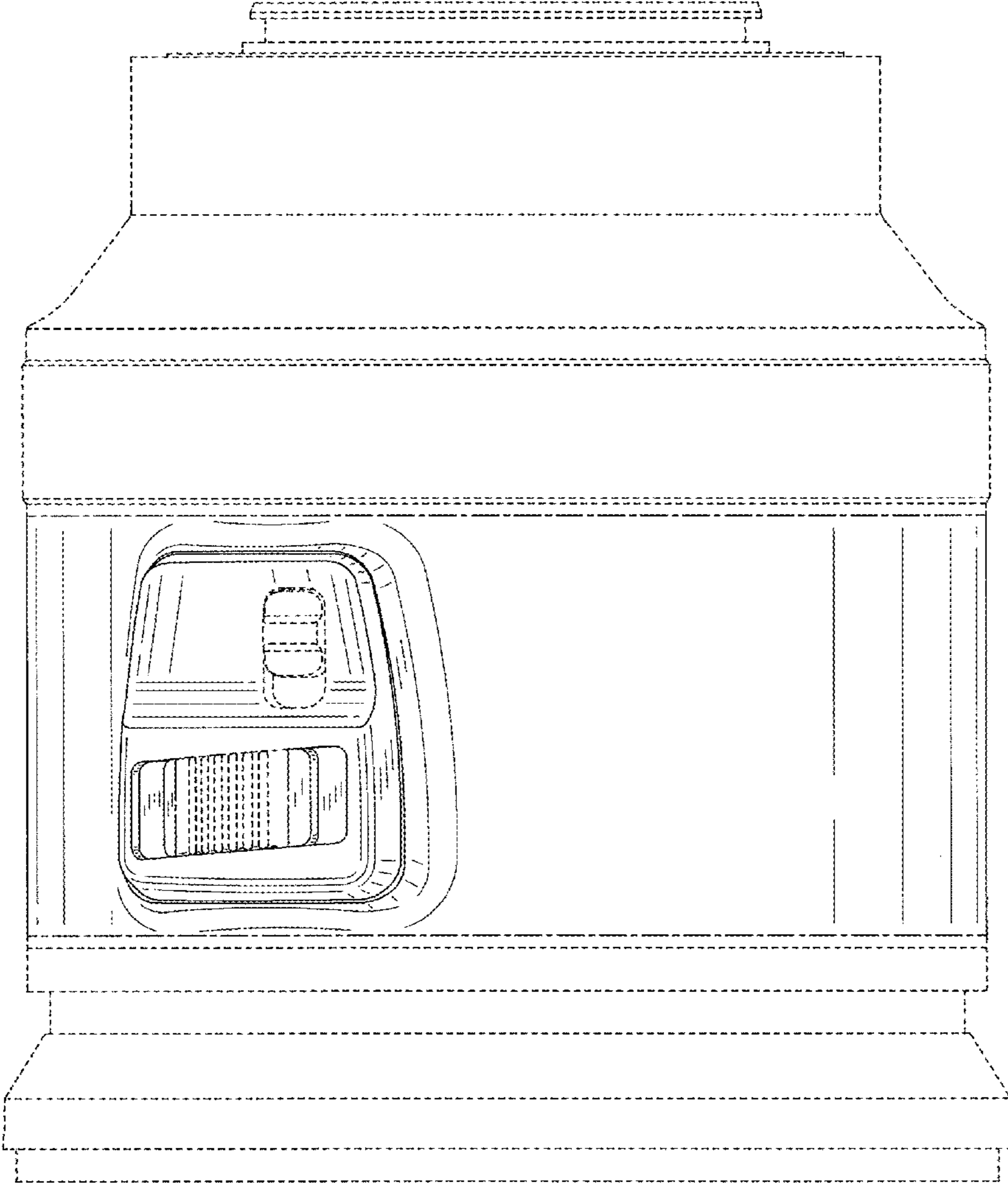


Fig. 6

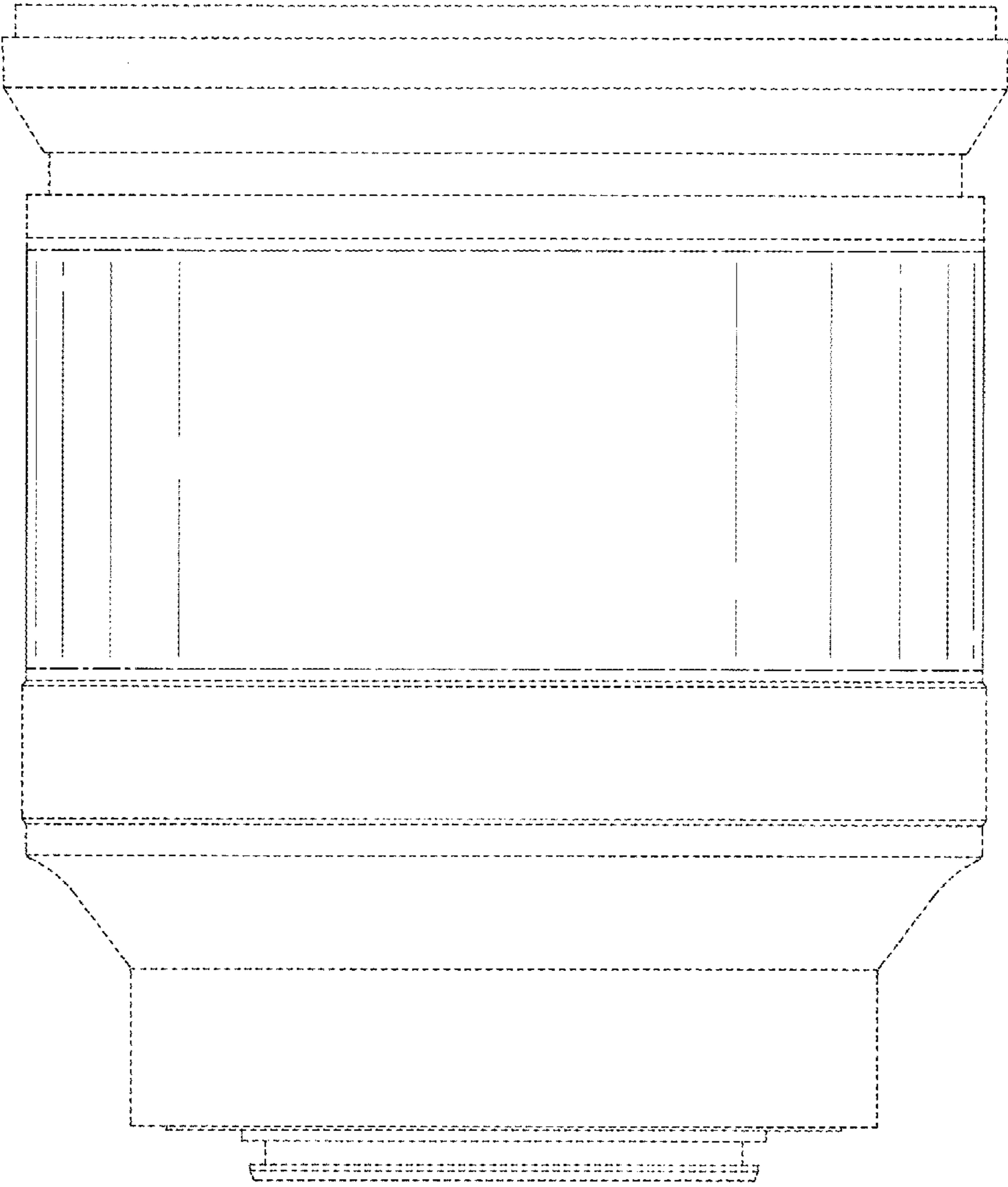


Fig. 7