

US00D664582S

(12) **United States Design Patent**
Asano et al.

(10) **Patent No.:** **US D664,582 S**
(45) **Date of Patent:** **** Jul. 31, 2012**

(54) **DIGITAL CAMERA**

(75) Inventors: **Hideaki Asano**, Chiba (JP); **Masaaki Yanagisawa**, Chigasaki (JP)

(73) Assignee: **Nikon Corporation** (JP)

(**) Term: **14 Years**

(21) Appl. No.: **29/398,575**

(22) Filed: **Aug. 2, 2011**

(30) **Foreign Application Priority Data**

Feb. 7, 2011 (JP) 2011-002527

(51) **LOC (9) Cl.** **16-05**

(52) **U.S. Cl.** **D16/219; D16/202**

(58) **Field of Classification Search** D16/200,
D16/202, 204, 206, 217, 218, 219; 348/373,
348/376; 358/909.1; 396/176, 354-359,
396/535

See application file for complete search history.

(56) **References Cited**

U.S. PATENT DOCUMENTS

5,253,003 A * 10/1993 Fujii et al. 396/176
D433,435 S * 11/2000 Hamamura D16/219

D556,809 S * 12/2007 Hayashi D16/219
D581,440 S * 11/2008 Nakamura D16/202
D594,892 S * 6/2009 Kamiya et al. D16/202
D630,661 S * 1/2011 Meguro D16/217

* cited by examiner

Primary Examiner — Adir Aronovich

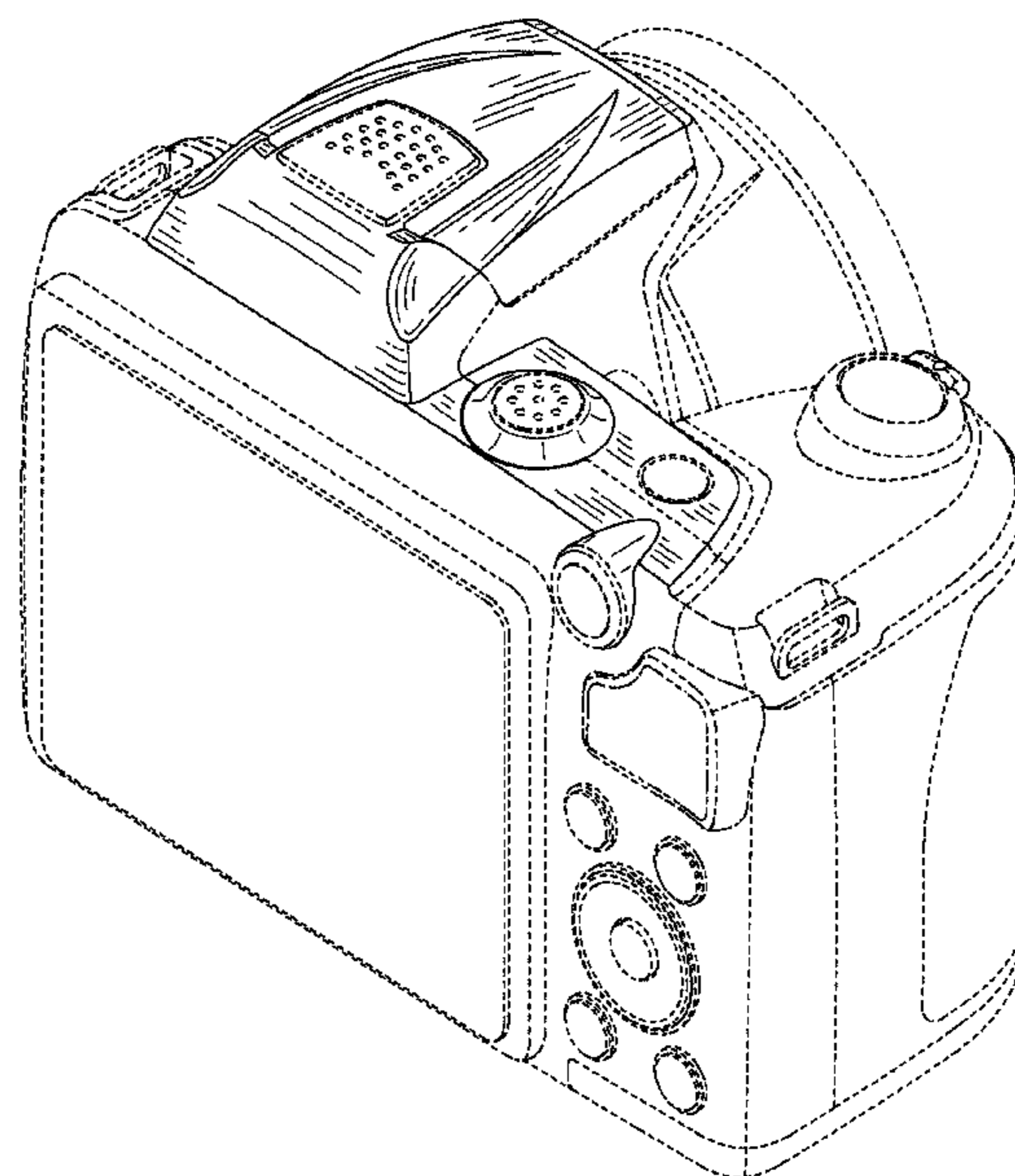
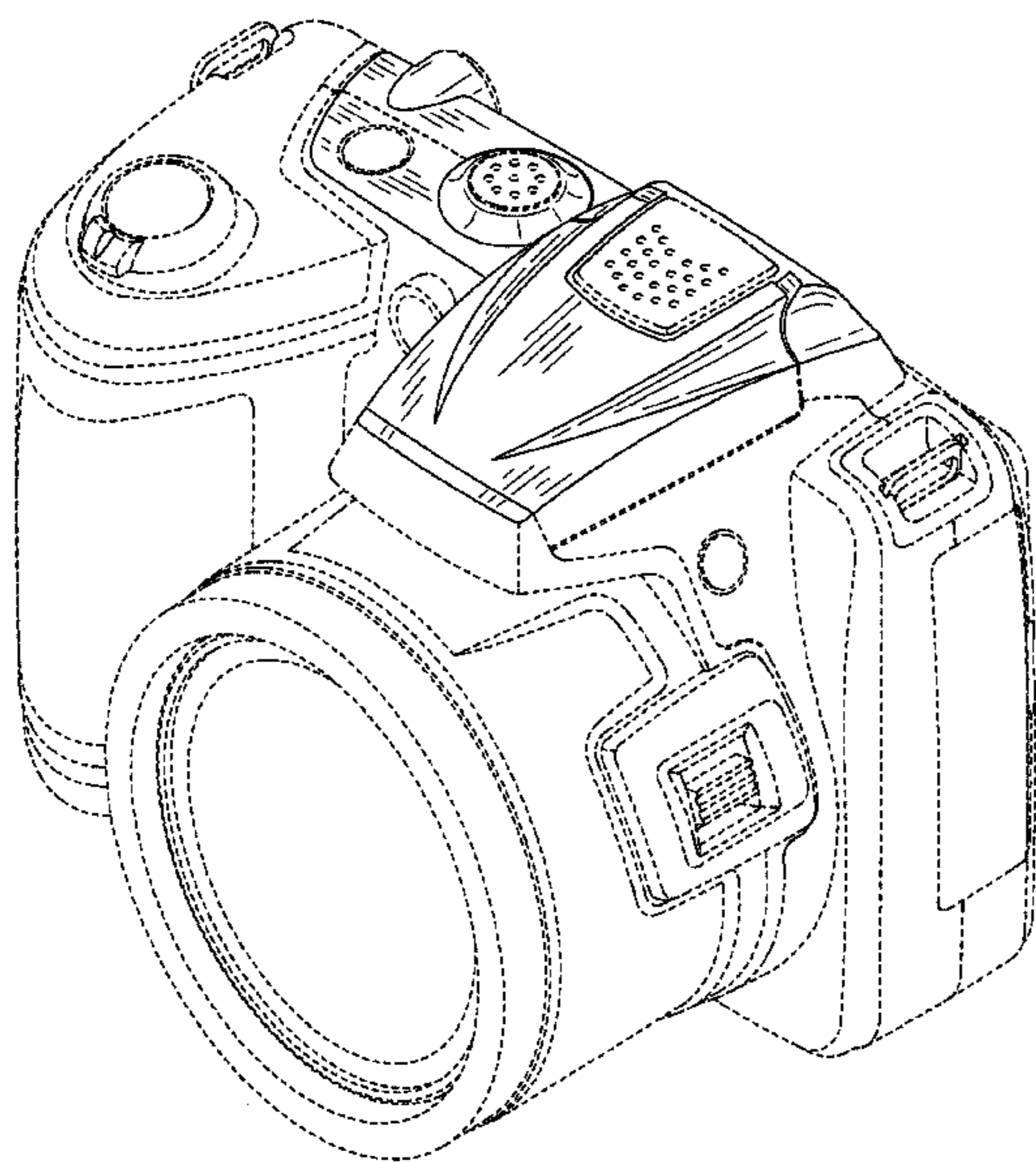
(74) *Attorney, Agent, or Firm* — Caesar, Rivise, Bernstein, Cohen & Pokotilow, Ltd.

(57) **CLAIM**
The ornamental design for a digital camera, as shown and described.

DESCRIPTION

FIG. 1 is a top, front and right side perspective view of a digital camera showing our new design;
FIG. 2 is a top rear and left side perspective view thereof;
FIG. 3 is a front elevational view thereof;
FIG. 4 is a rear elevational view thereof;
FIG. 5 is a top plan view thereof;
FIG. 6 is a right side elevational view thereof; and,
FIG. 7 is a left side elevational view thereof.
The features shown in broken lines in the drawings depict environmental subject matter only and form no part of the claimed design.

1 Claim, 7 Drawing Sheets



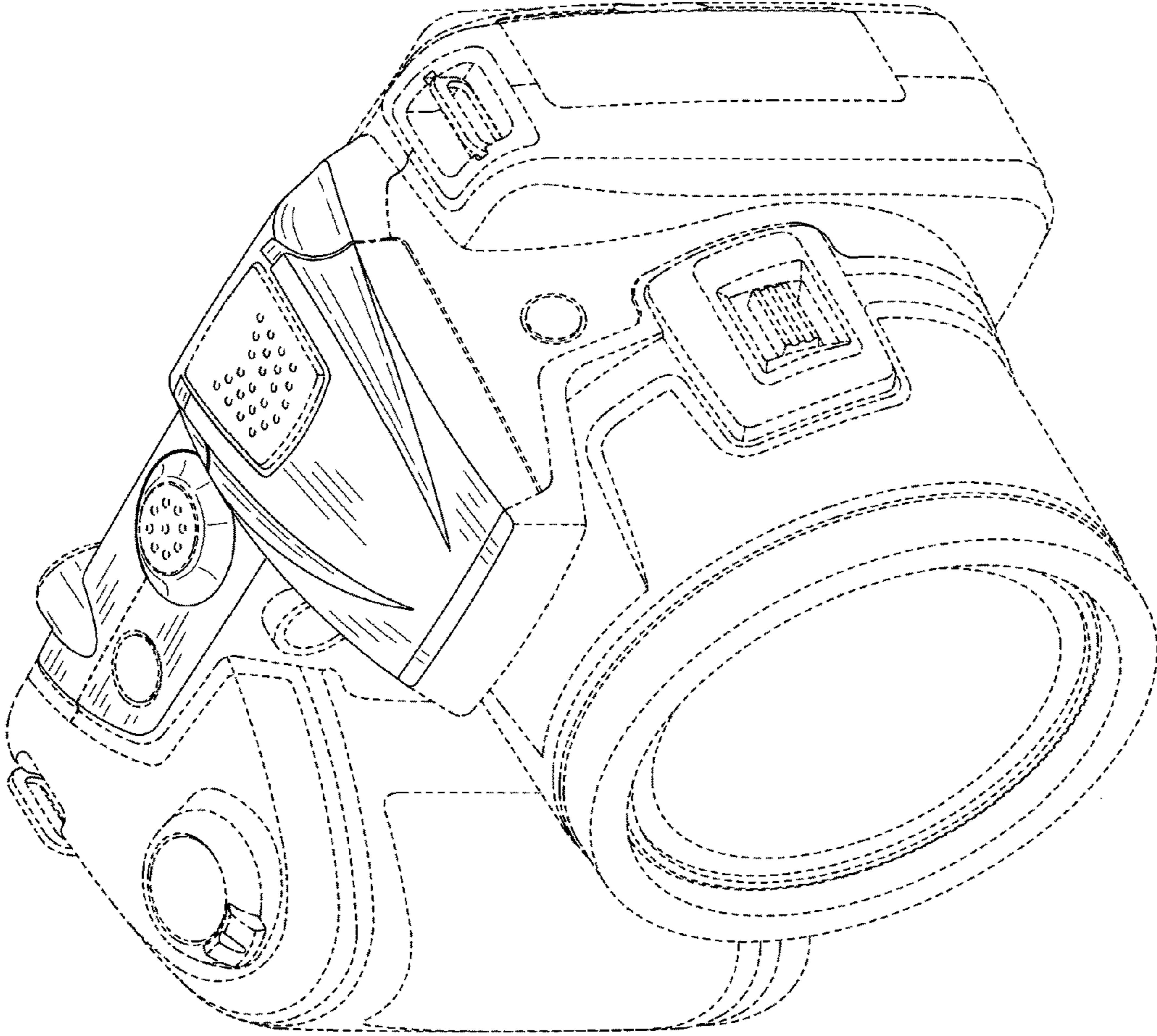


Fig. 1

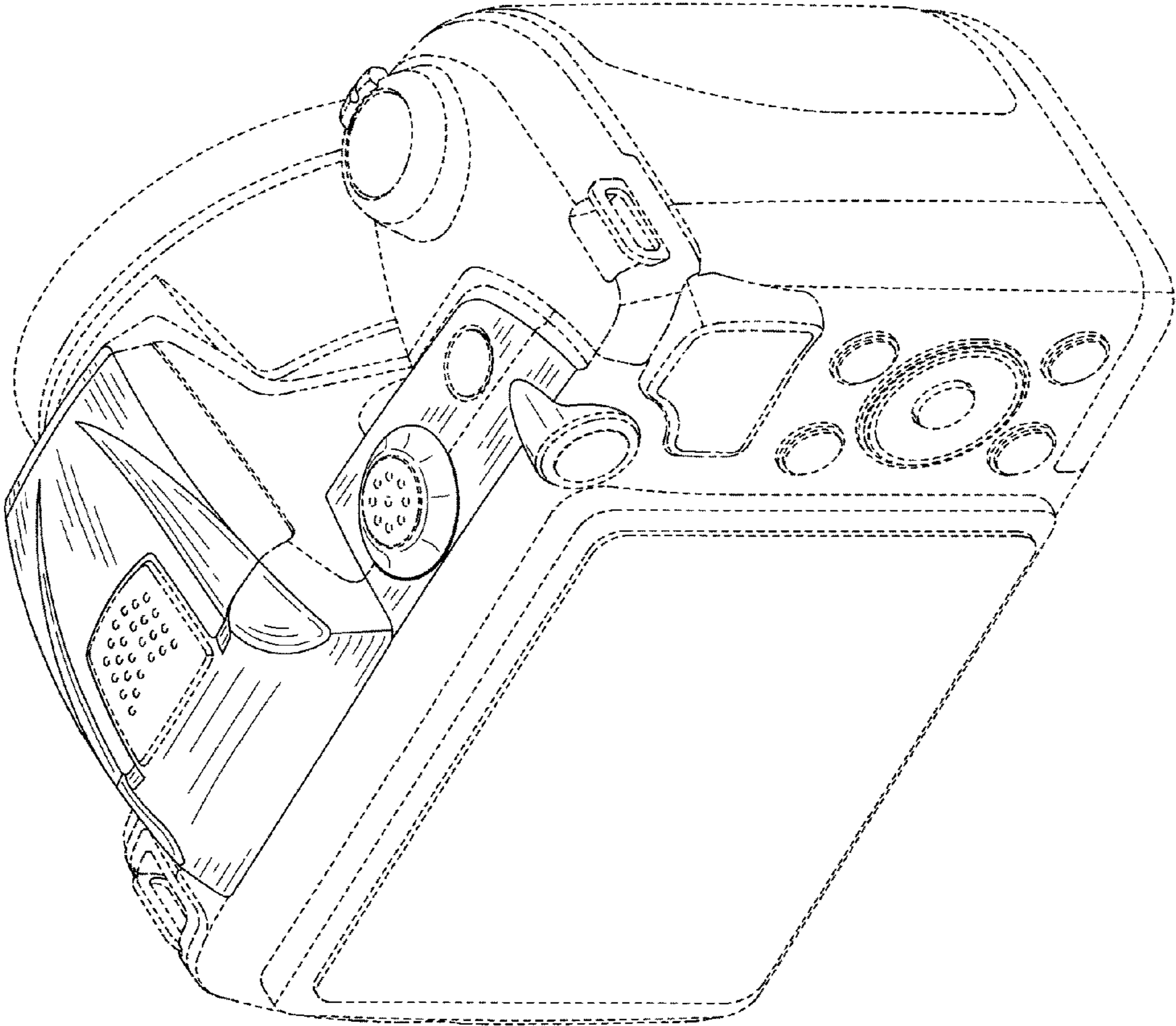


Fig. 2

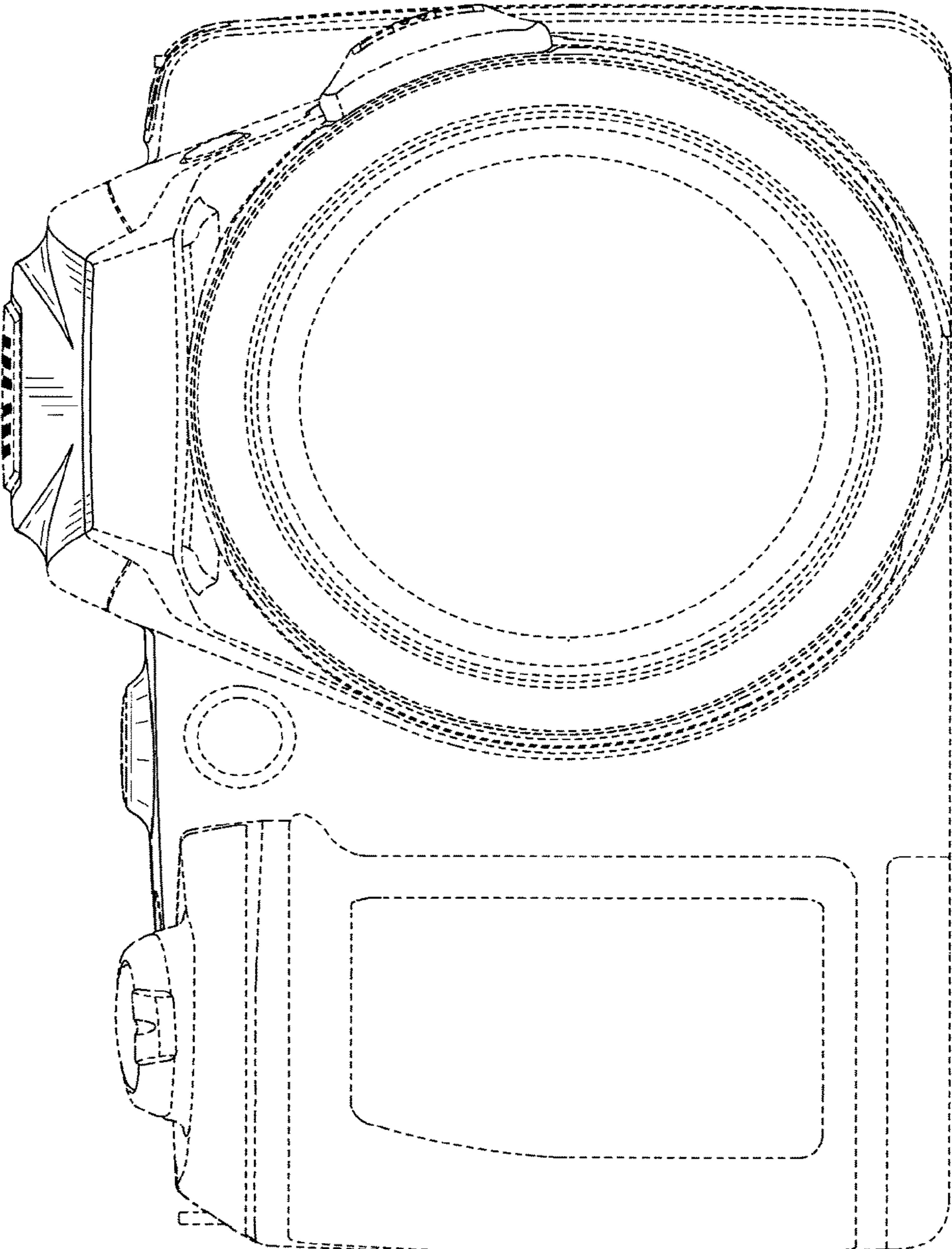


Fig. 3

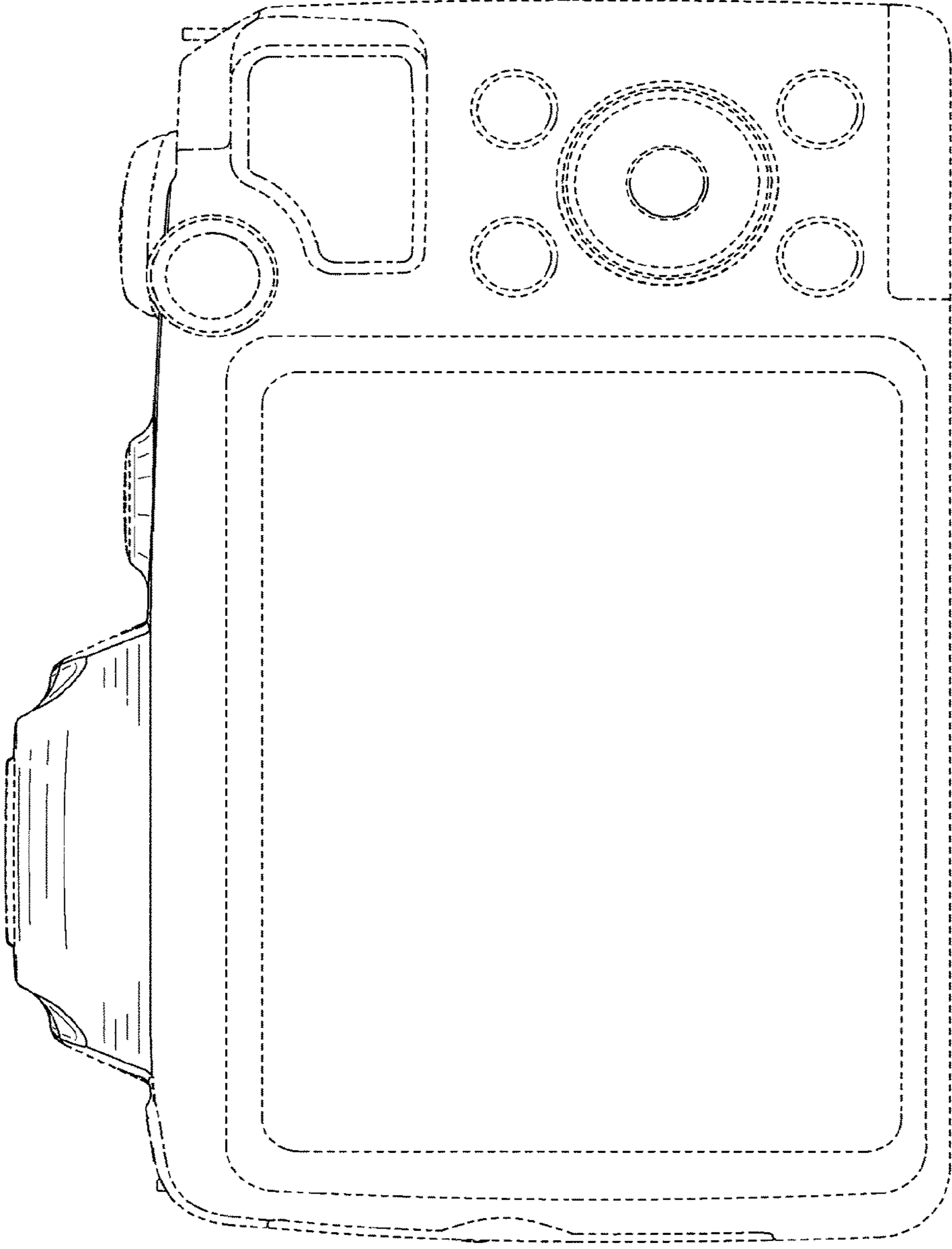


Fig. 4

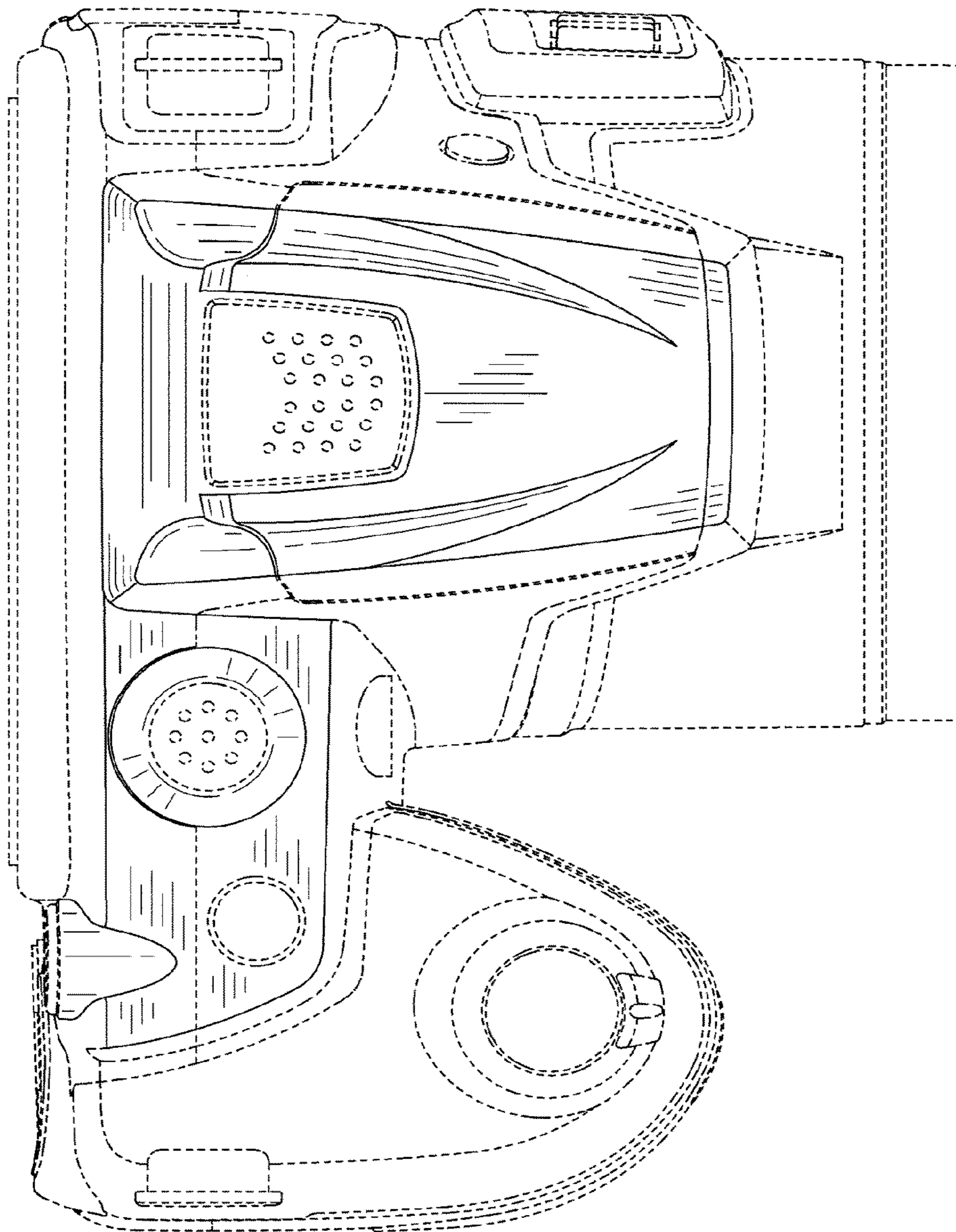


Fig. 5

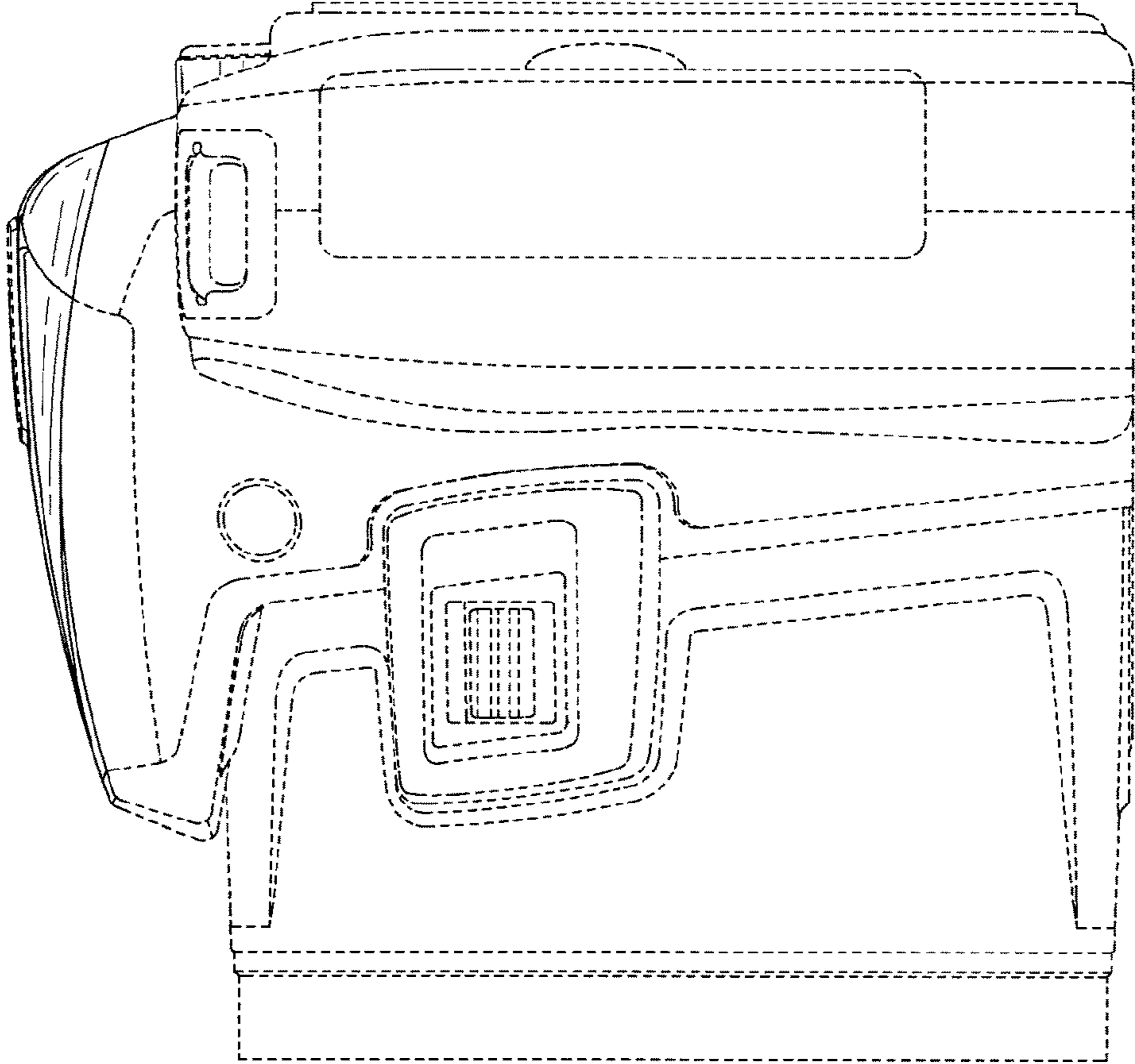


Fig. 6

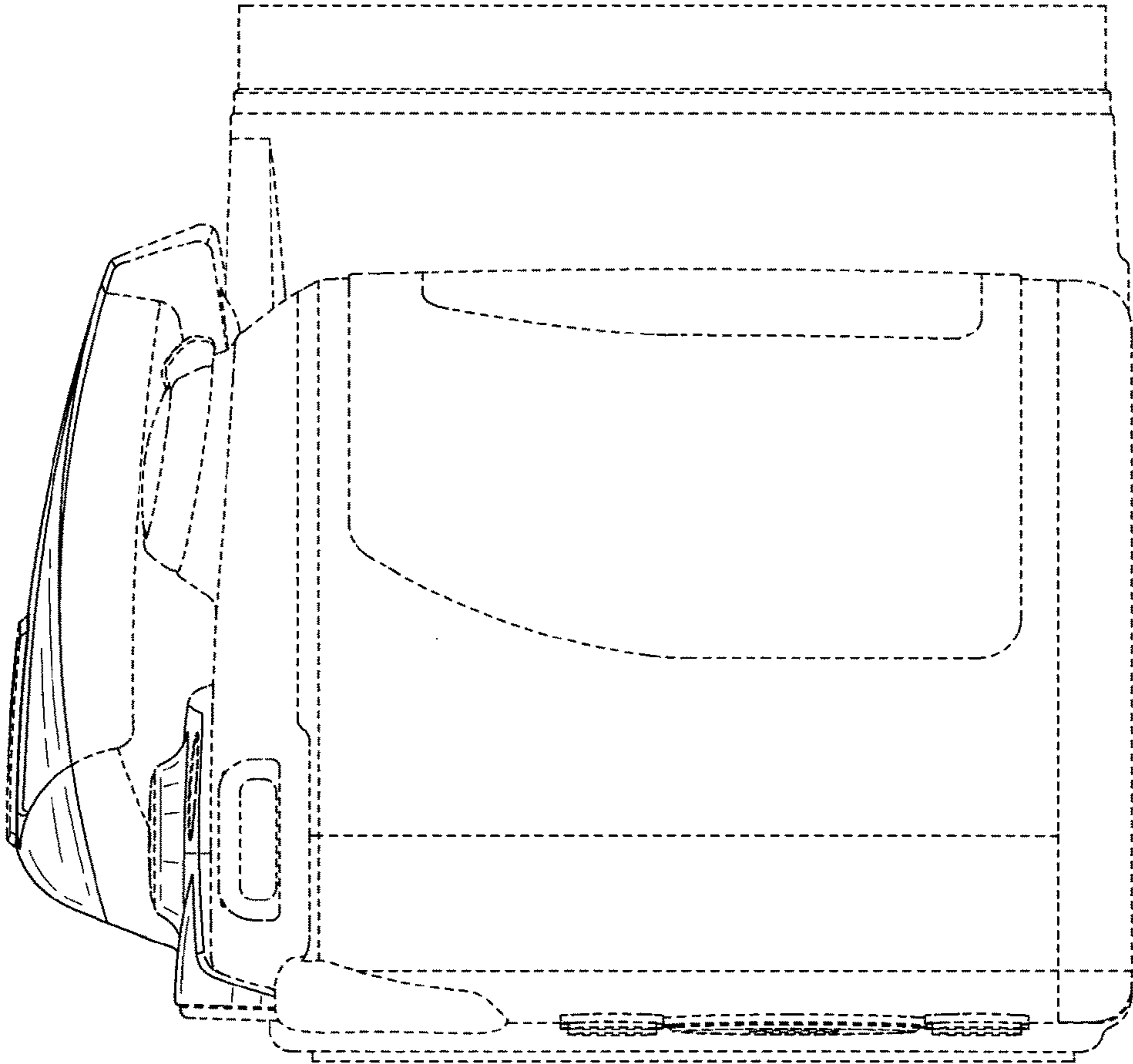


Fig. 7