

US00D664580S

(12) **United States Design Patent**
Sigward

(10) **Patent No.:** **US D664,580 S**

(45) **Date of Patent:** **** *Jul. 31, 2012**

(54) **OBJECTIVE FOR INFRARED CAMERA AND THERMAL IMAGER**

(75) Inventor: **Olle Sigward**, Solna (SE)

(73) Assignee: **FLIR Systems AB**, Danderyd (SE)

(*) Notice: This patent is subject to a terminal disclaimer.

(**) Term: **14 Years**

(21) Appl. No.: **29/361,741**

(22) Filed: **May 14, 2010**

(51) **LOC (9) Cl.** **16-05**

(52) **U.S. Cl.** **D16/219**

(58) **Field of Classification Search** D16/134,
D16/136, 200, 204, 218, 219; 250/330, 332;
348/373-374; 359/826-828; 396/529-532,
396/535

See application file for complete search history.

(56) **References Cited**

U.S. PATENT DOCUMENTS

D183,253 S *	7/1958	Gebele	D16/134
D183,255 S *	7/1958	Gebele	D16/134
4,307,954 A *	12/1981	Ludwig	359/828

4,457,609 A *	7/1984	Tomino et al.	396/532
D338,028 S *	8/1993	Takahashi	D16/134
D427,221 S *	6/2000	Ono	D16/219
D523,057 S *	6/2006	Watanabe	D16/219
D548,261 S *	8/2007	Nakamura	396/532

* cited by examiner

Primary Examiner — Adir Aronovich

(74) *Attorney, Agent, or Firm* — Hiscock & Barclay, LLP

(57) **CLAIM**

The ornamental design for an “objective for infrared camera and thermal imager,” as shown and described.

DESCRIPTION

FIG. 1 is a front and left side perspective view of an objective for an infrared camera and thermal imager showing my new design;

FIG. 2 is a front elevational view thereof;

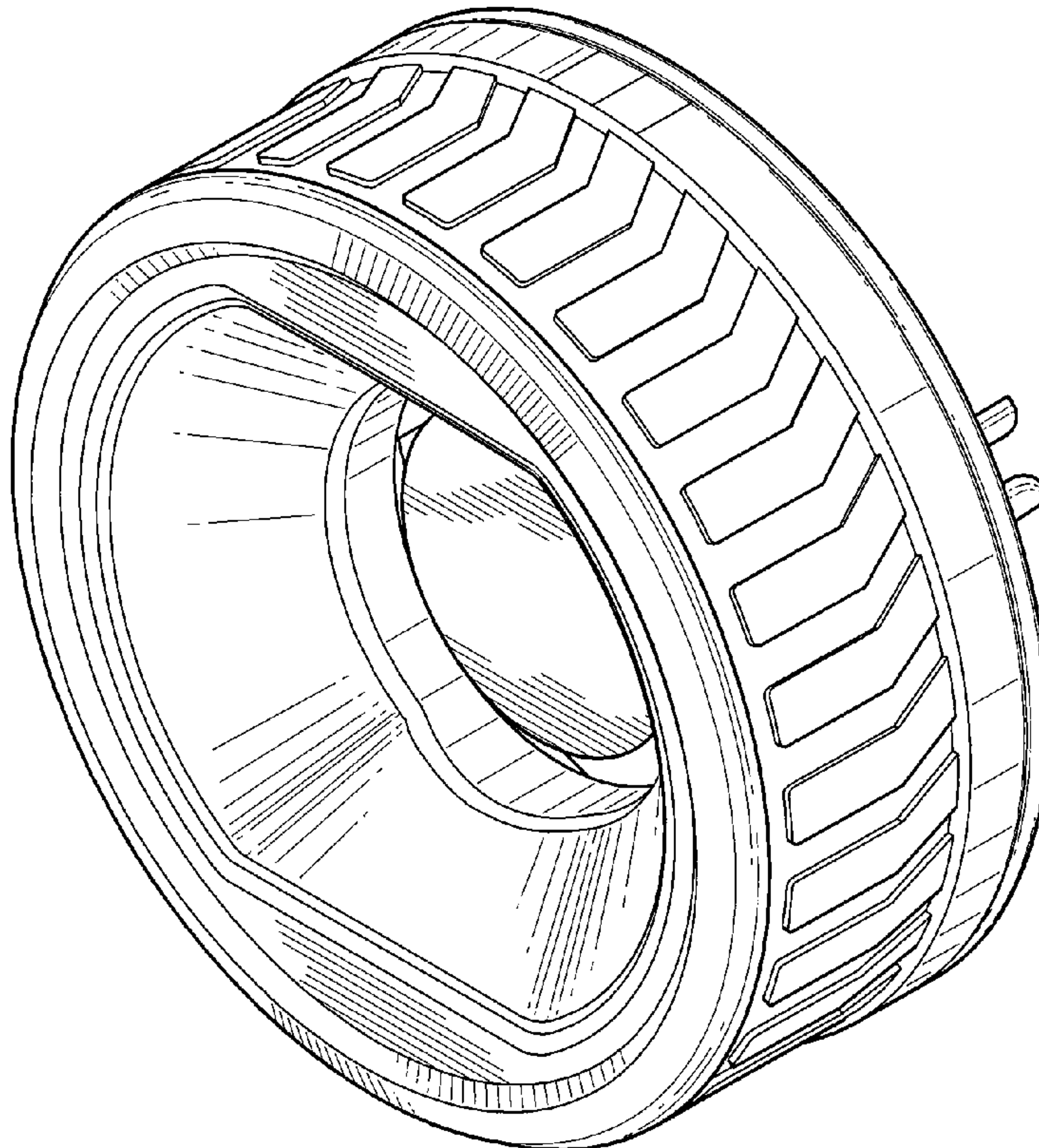
FIG. 3 is a right side elevational view thereof;

FIG. 4 is a left side elevational view thereof;

FIG. 5 is a right side elevational view thereof, shown from a different angle; and,

FIG. 6 is a rear elevational view thereof, the portions in broken lines are shown for illustrative purposes only and form no part of the claimed design.

1 Claim, 5 Drawing Sheets



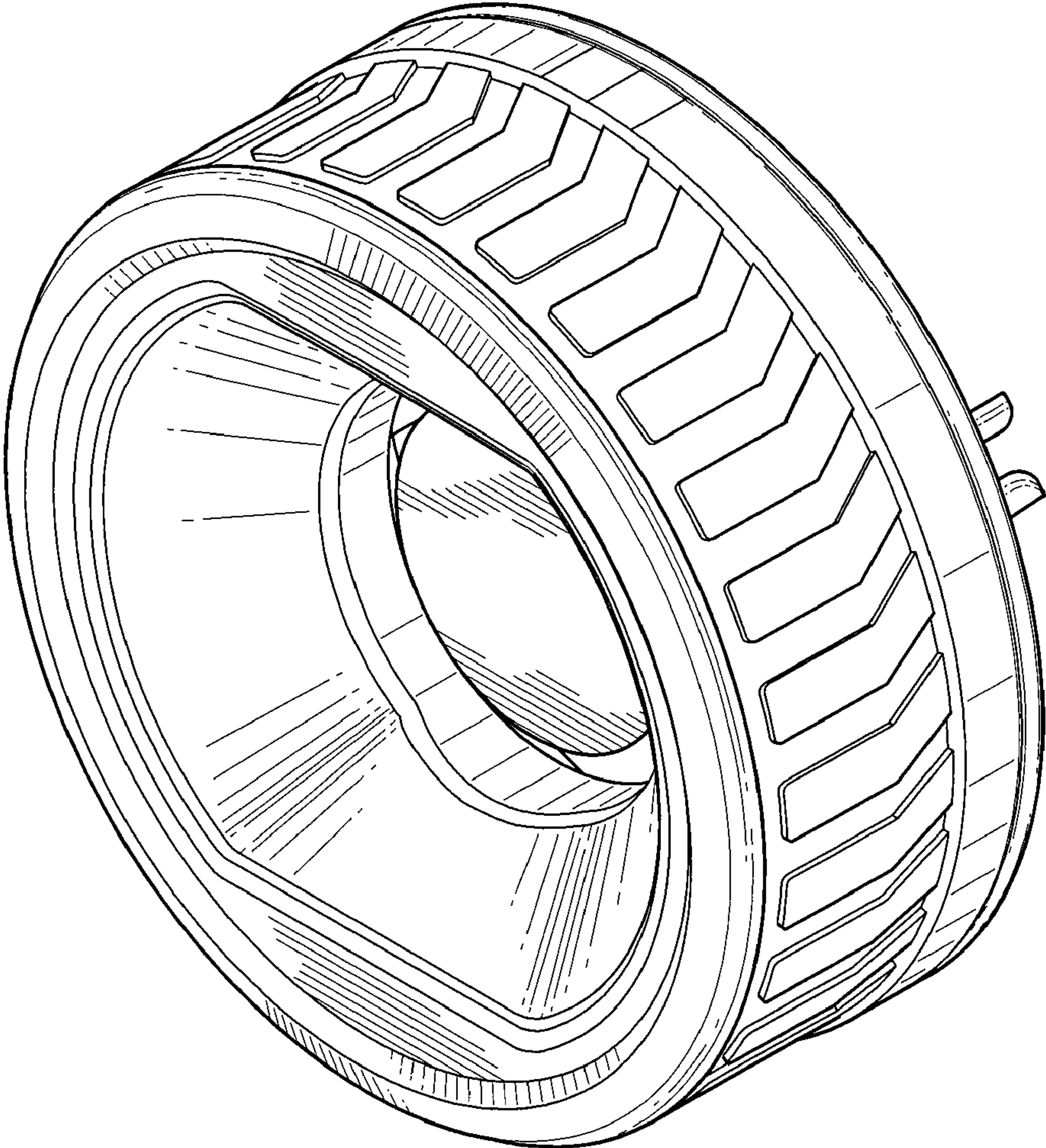


FIG. 1

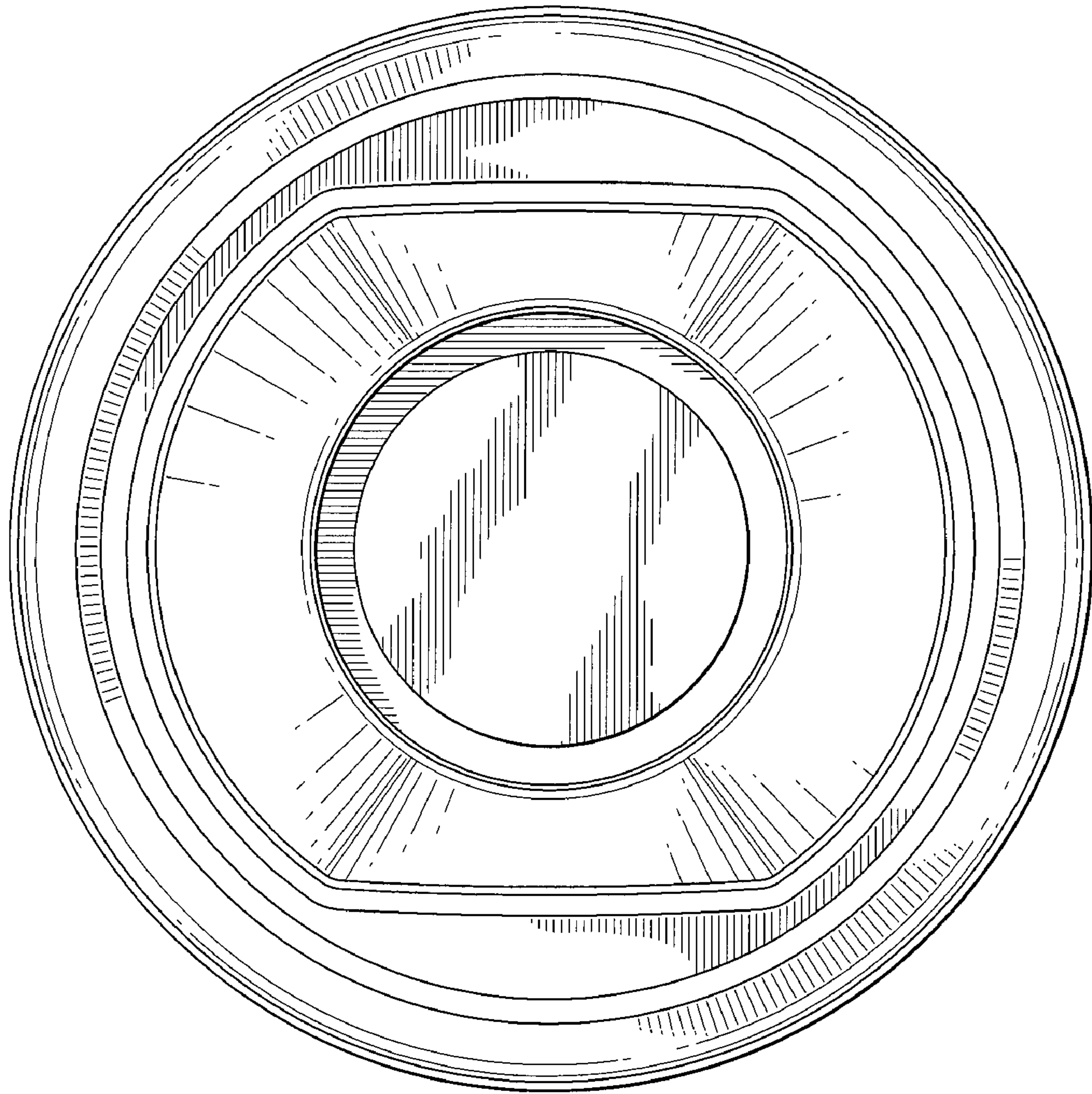


FIG. 2

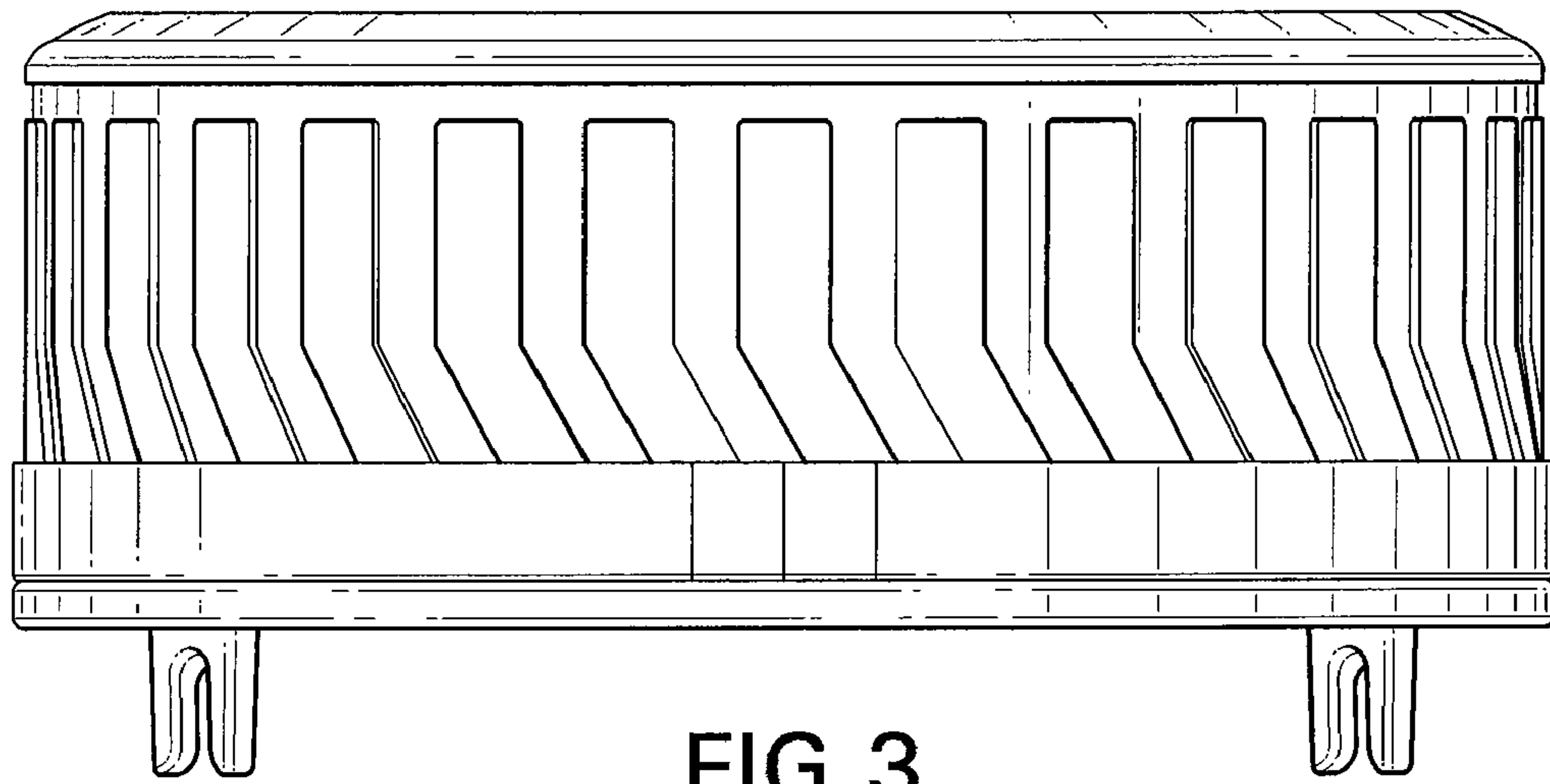


FIG. 3

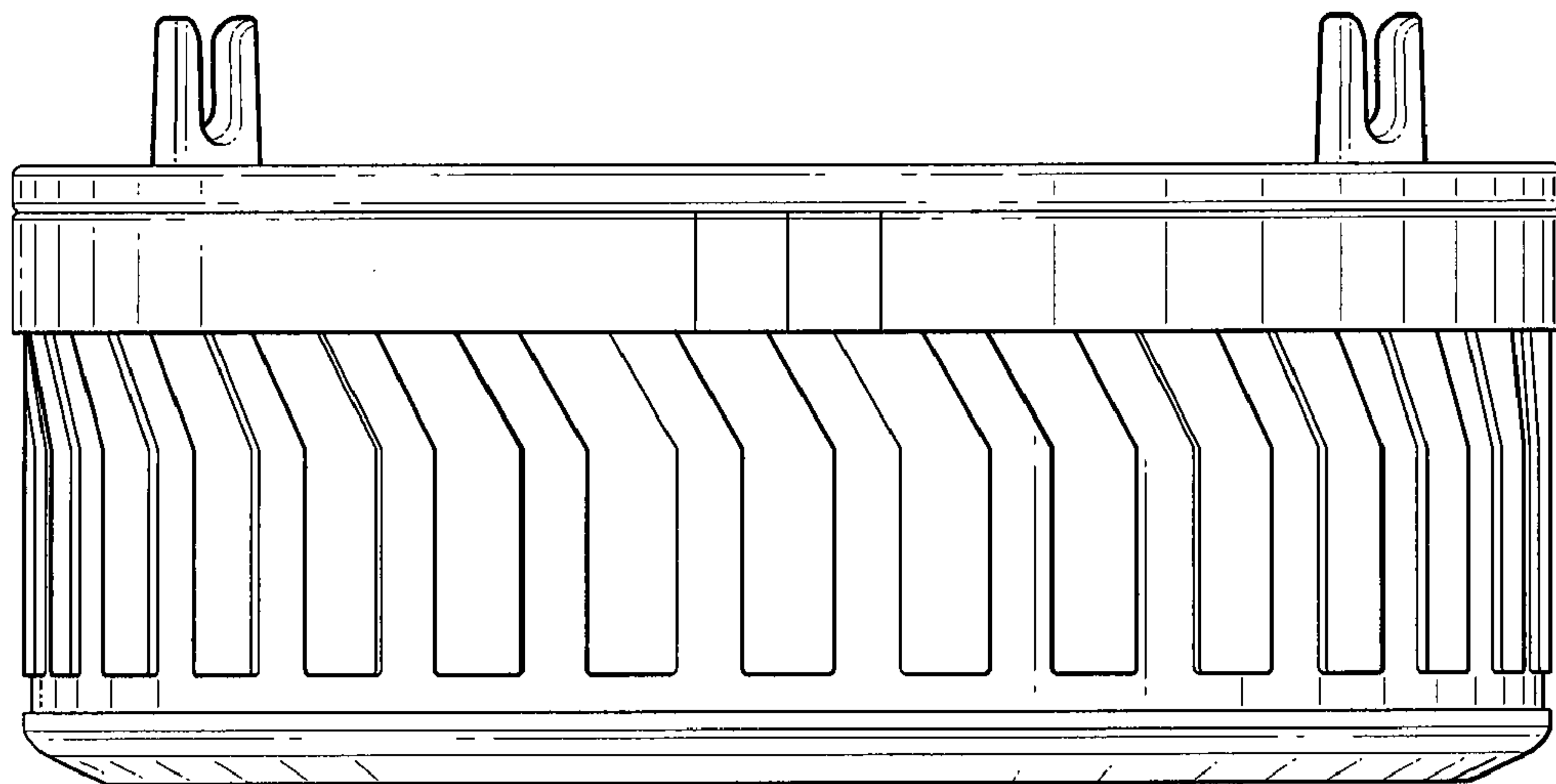


FIG. 4

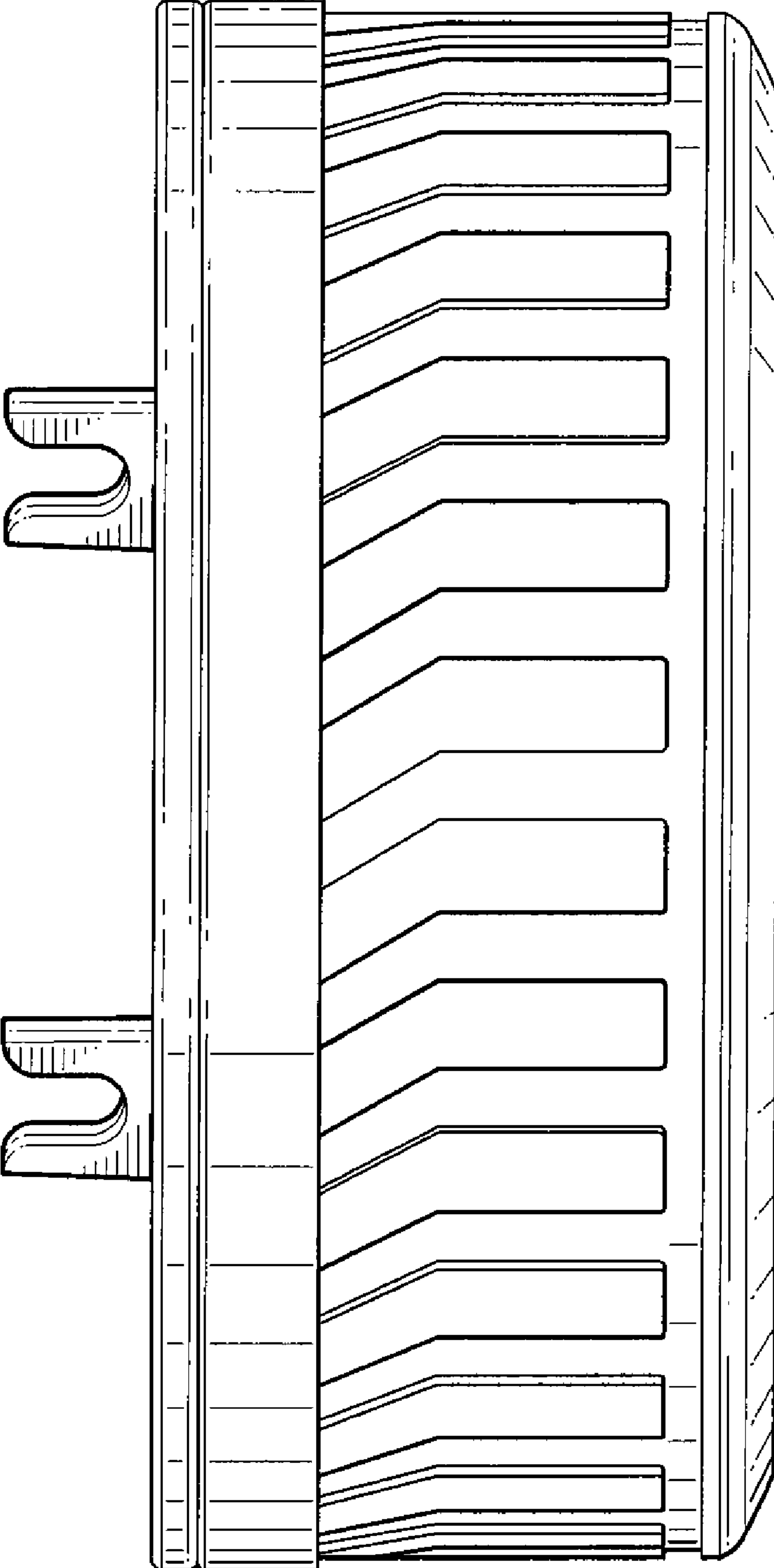


FIG. 5

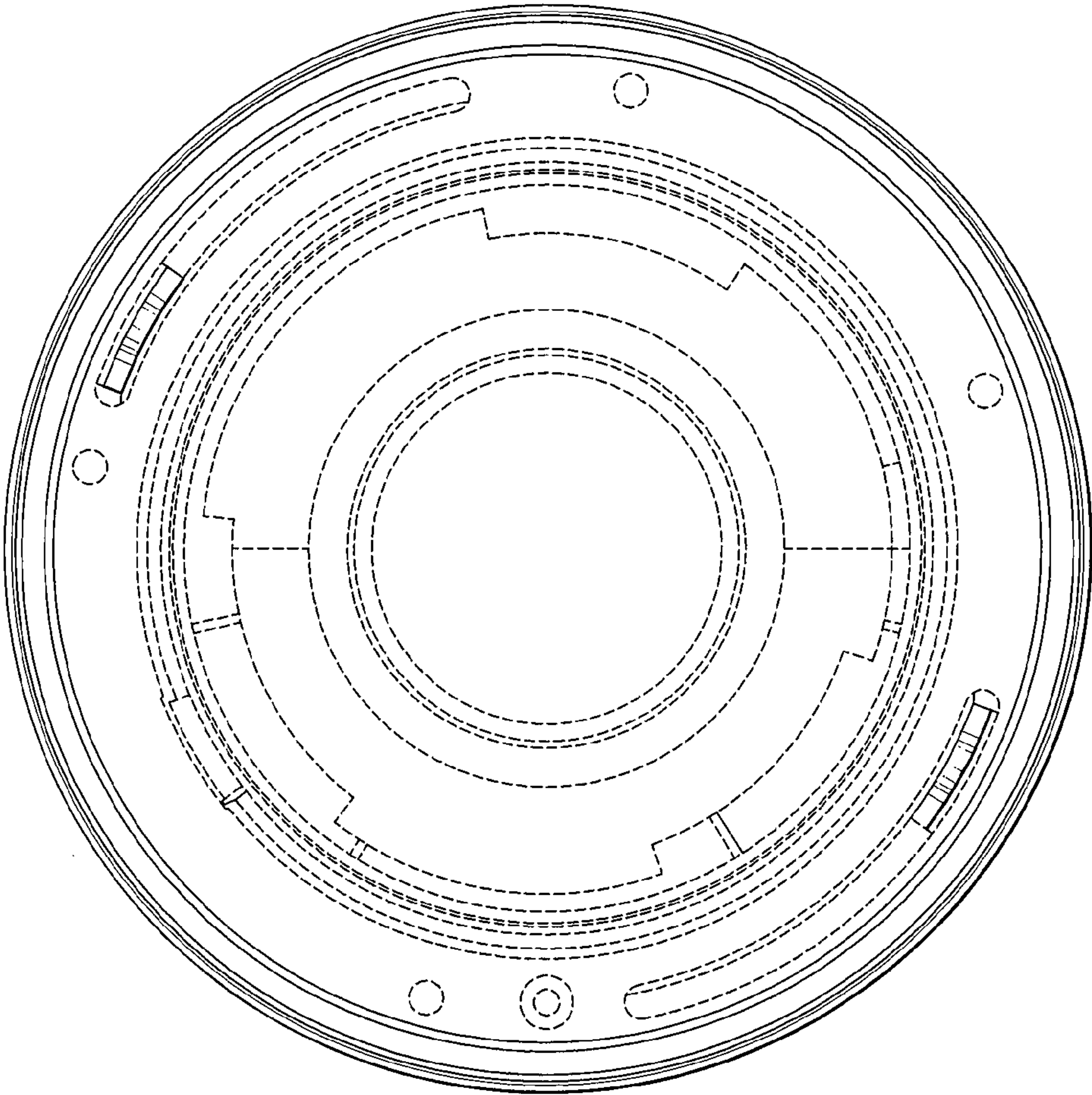


FIG.6