



US00D664579S

(12) **United States Design Patent**
Tzeng

(10) **Patent No.:** **US D664,579 S**
(45) **Date of Patent:** **** Jul. 31, 2012**

(54) **WEBCAM**
(75) Inventor: **Guan-Hua Tzeng**, New Taipei (TW)
(73) Assignee: **Cheng Uei Precision Industry Co., Ltd.**, New Taipei (TW)
(**) Term: **14 Years**
(21) Appl. No.: **29/399,413**

(22) Filed: **Aug. 12, 2011**
(51) **LOC (9) Cl.** **16-01**
(52) **U.S. Cl.** **D16/202; D16/242**
(58) **Field of Classification Search** **D16/200,**
D16/202, 203, 208, 218, 242; 348/373; 396/419,
396/427, 535
See application file for complete search history.

(56) **References Cited**

U.S. PATENT DOCUMENTS

D627,813 S *	11/2010	Chen et al.	D16/202
D631,079 S *	1/2011	Tzeng	D16/202
D631,497 S *	1/2011	Han et al.	D16/202
D632,718 S *	2/2011	Tzeng	D16/242
D641,388 S *	7/2011	Shih et al.	D16/202
D641,770 S *	7/2011	Hoehn et al.	D16/242

* cited by examiner

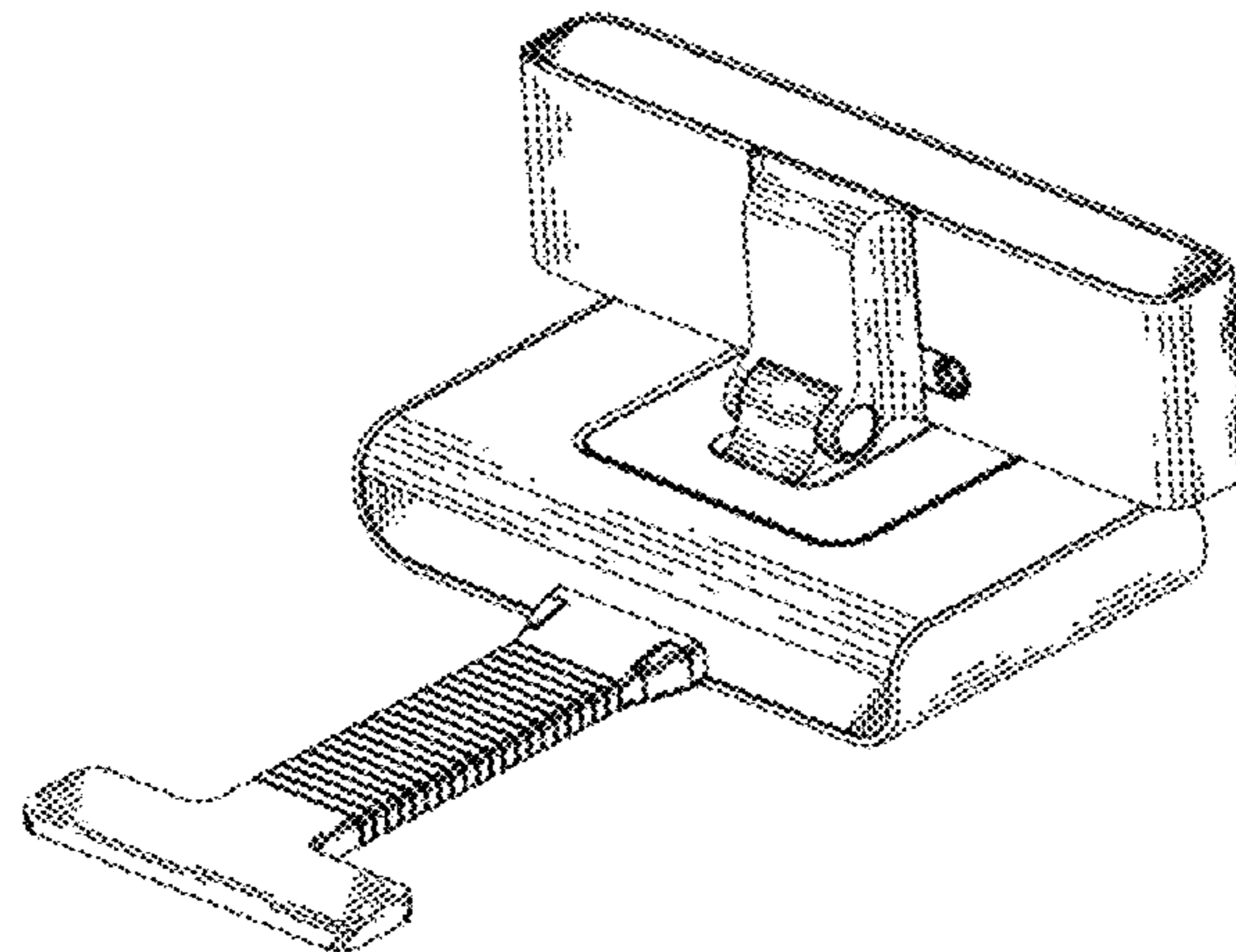
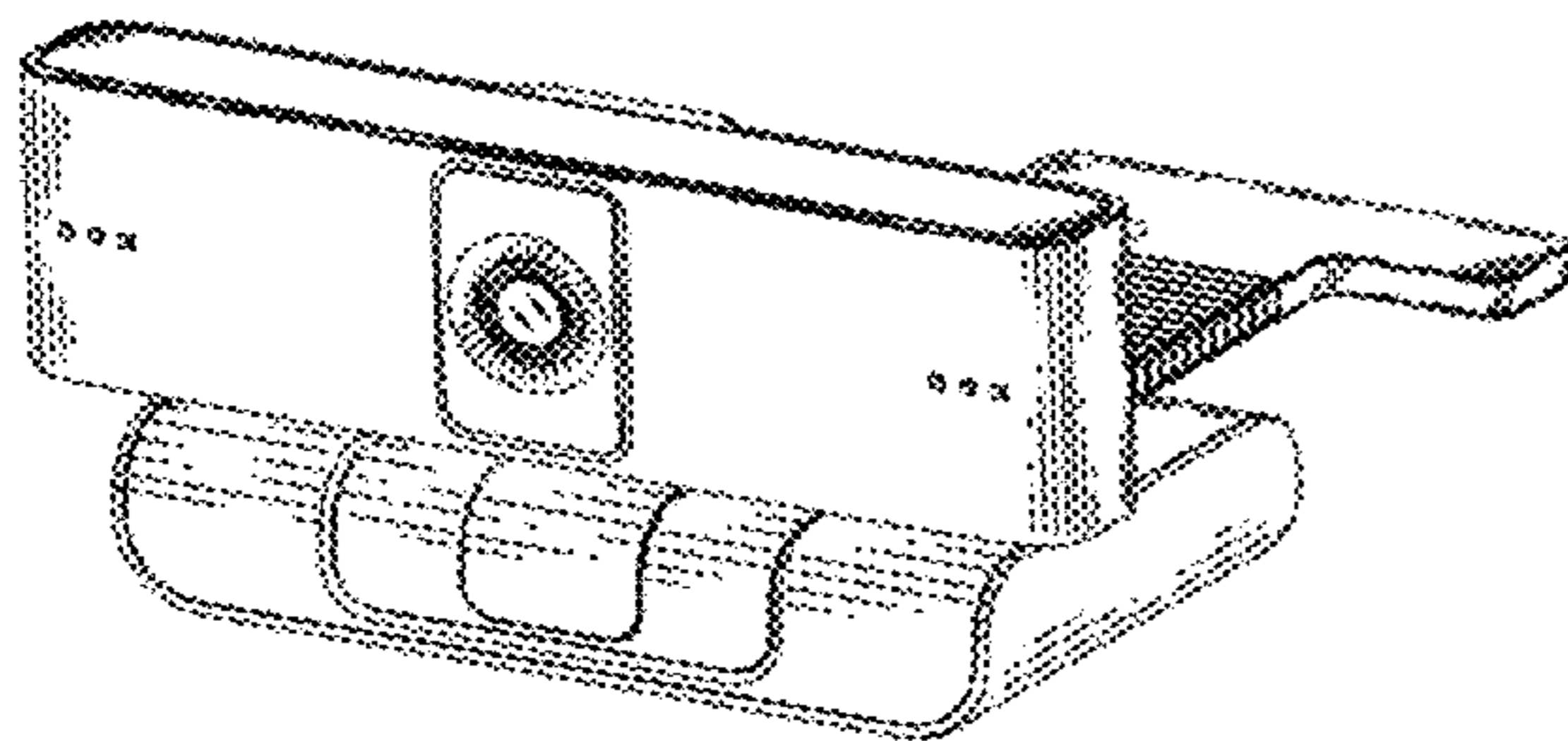
Primary Examiner — Adir Aronovich
(74) *Attorney, Agent, or Firm* — Cheng-Ju Chiang

(57) **CLAIM**
The ornamental design for a webcam, as shown and described.

DESCRIPTION

FIG. 1 is a front perspective view of a webcam showing my new design;
FIG. 2 is a front elevational view thereof;
FIG. 3 is a rear elevational view thereof;
FIG. 4 is a left side elevational view thereof;
FIG. 5 is a right side elevational view thereof;
FIG. 6 is a top plan view thereof;
FIG. 7 is a bottom plan view thereof;
FIG. 8 is a rear perspective view of the webcam showing my new design; and,
FIG. 9 is a bottom perspective view of the webcam showing my new design.

1 Claim, 9 Drawing Sheets



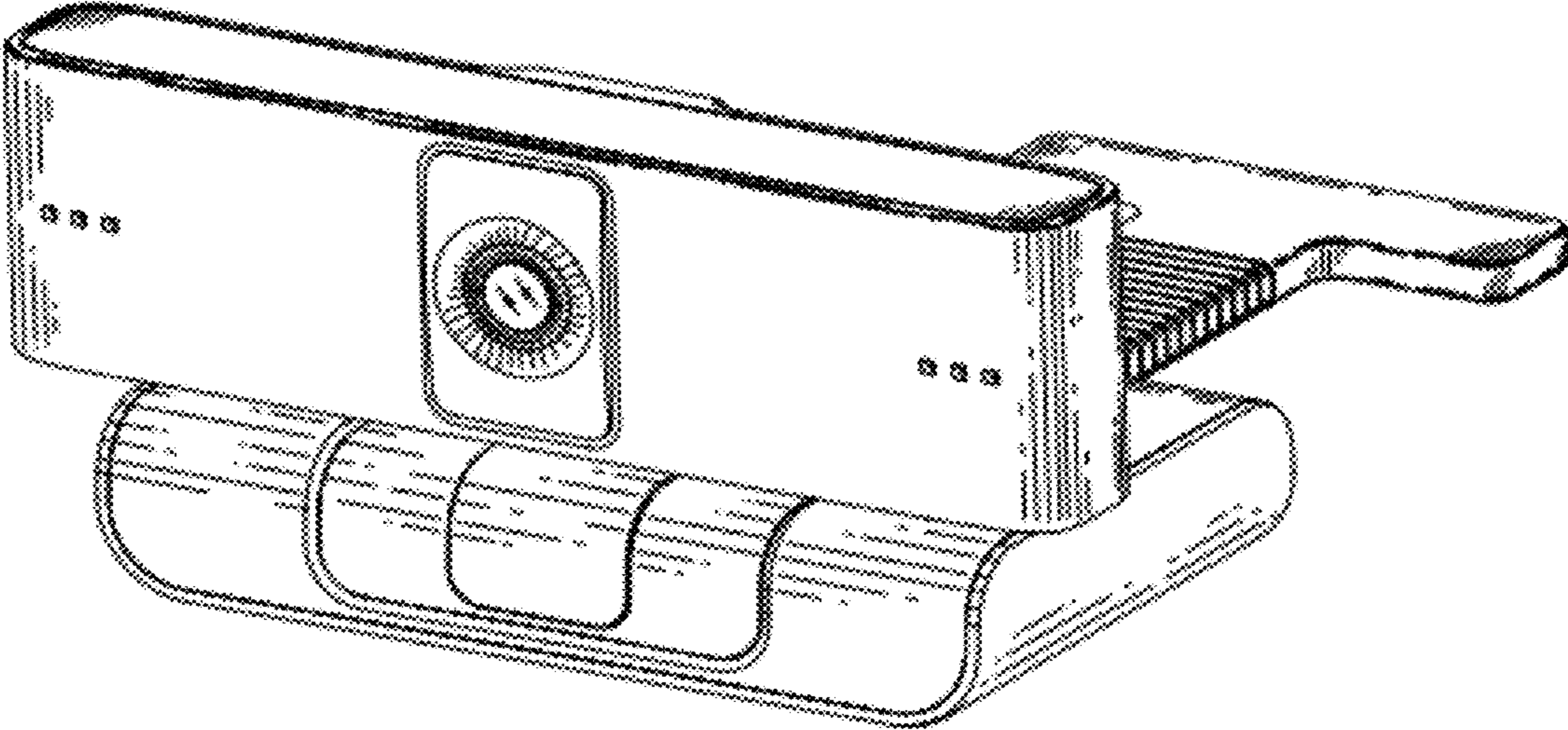


FIG. 1

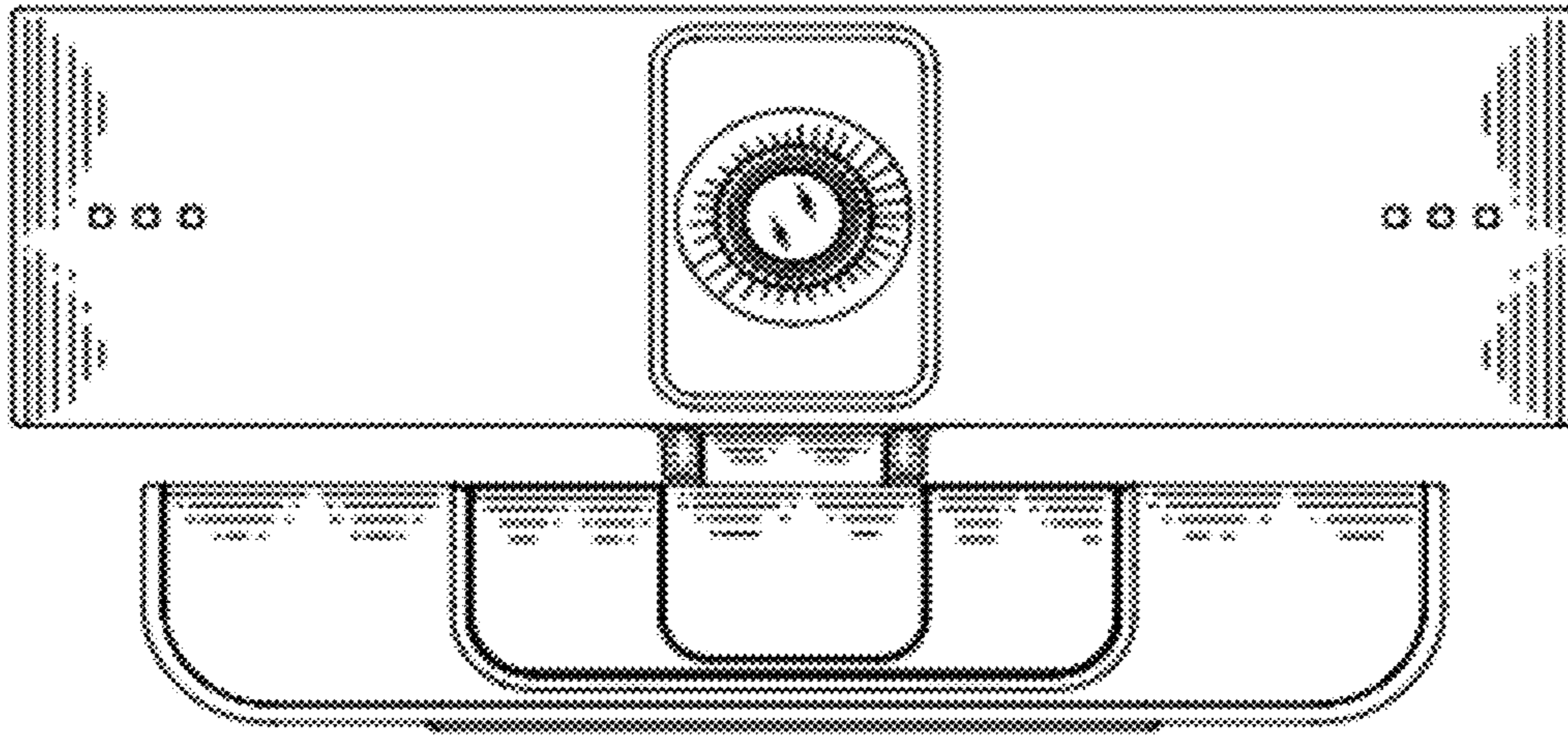


FIG. 2

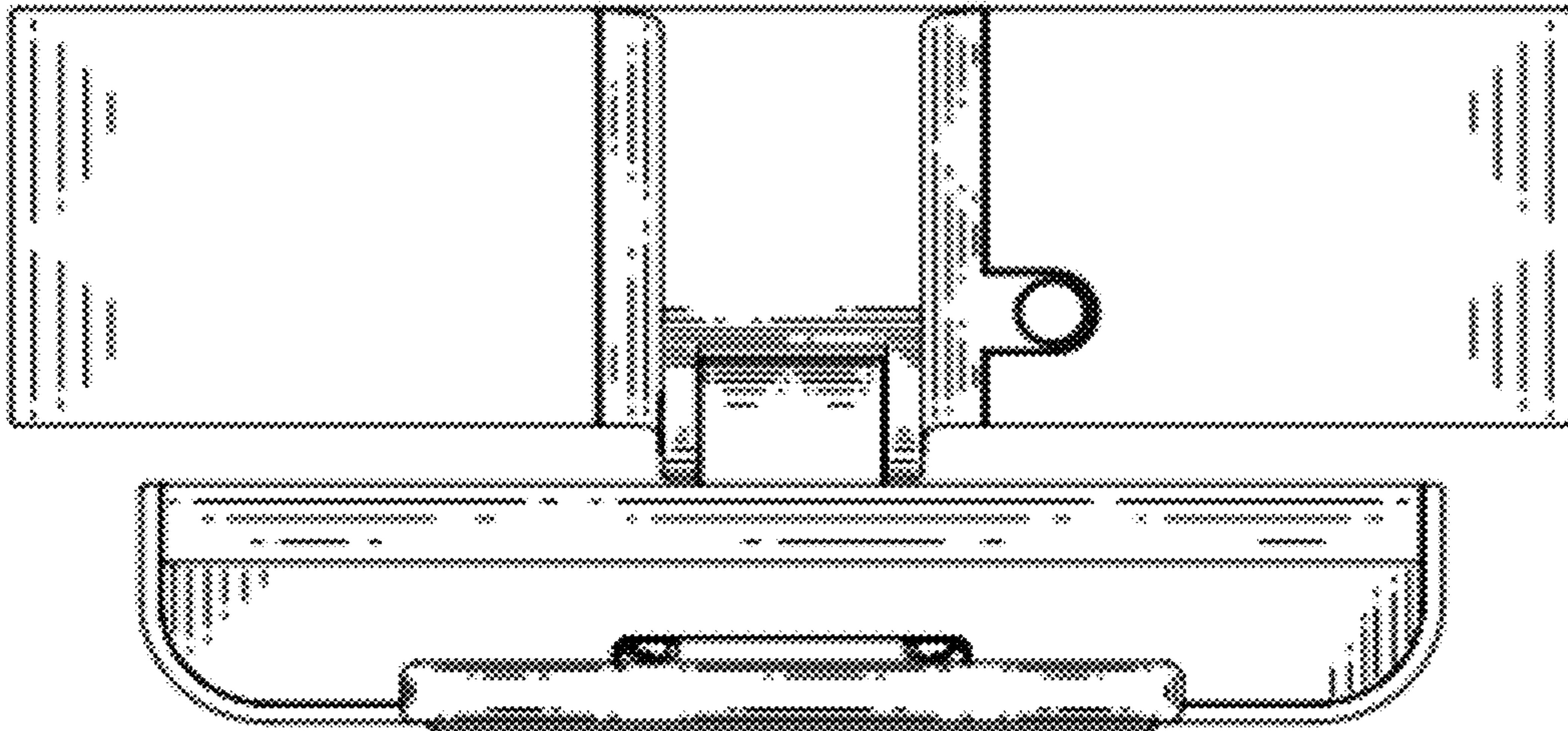


FIG. 3

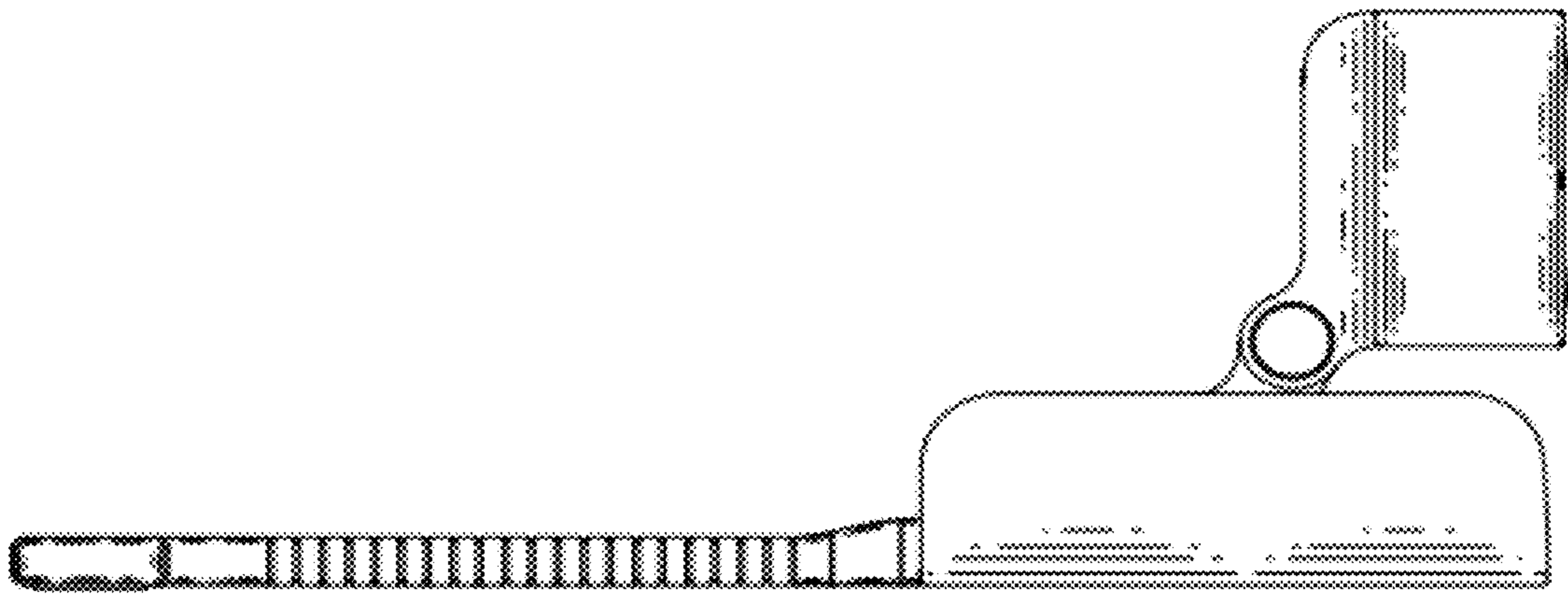


FIG. 4

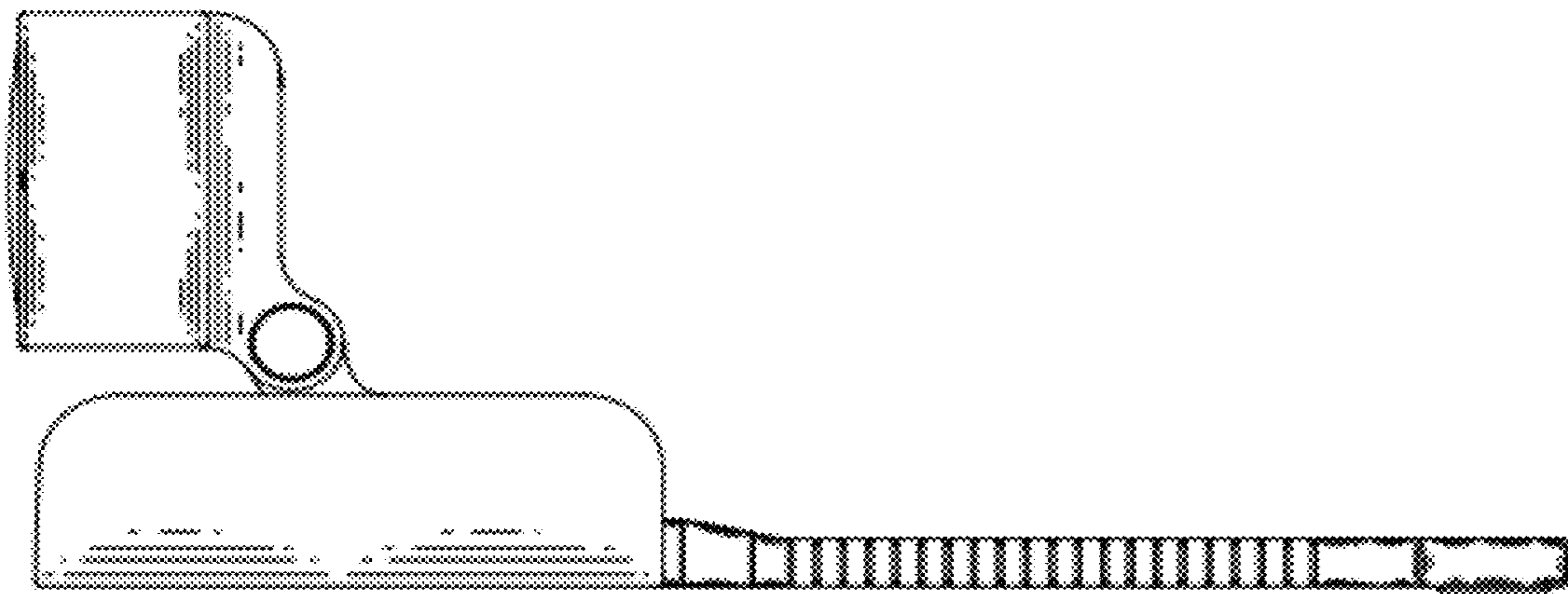


FIG. 5

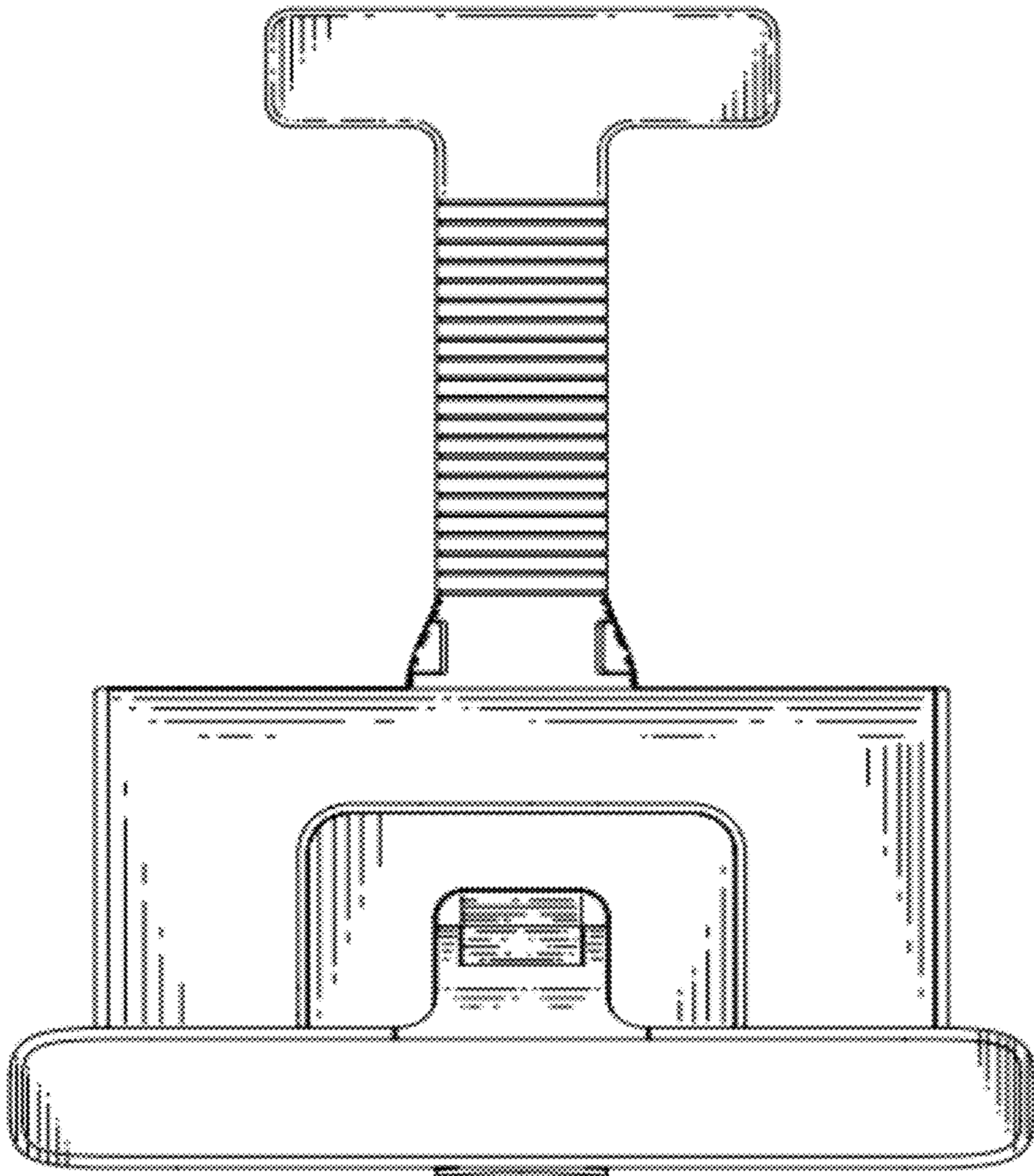


FIG. 6

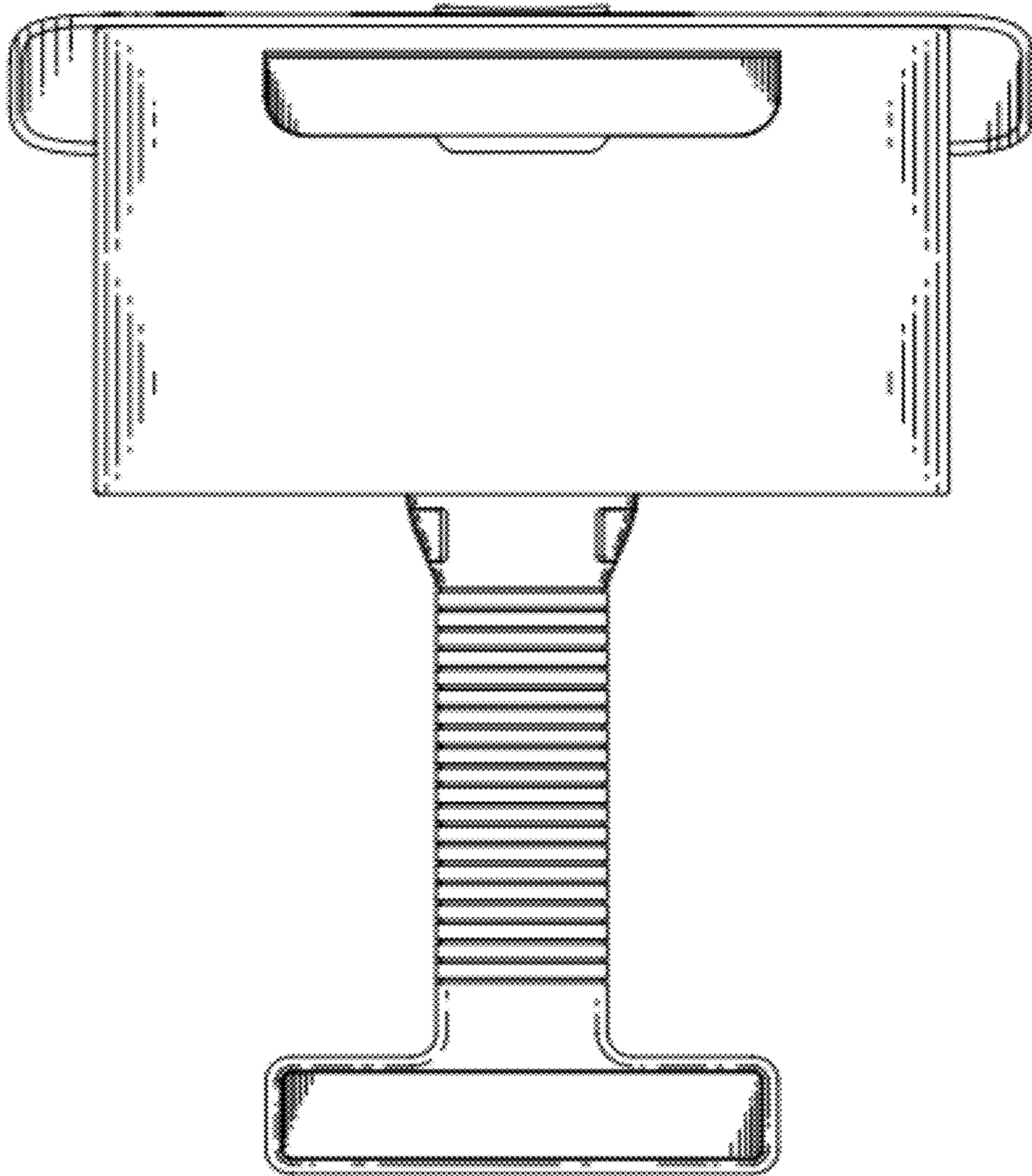


FIG. 7

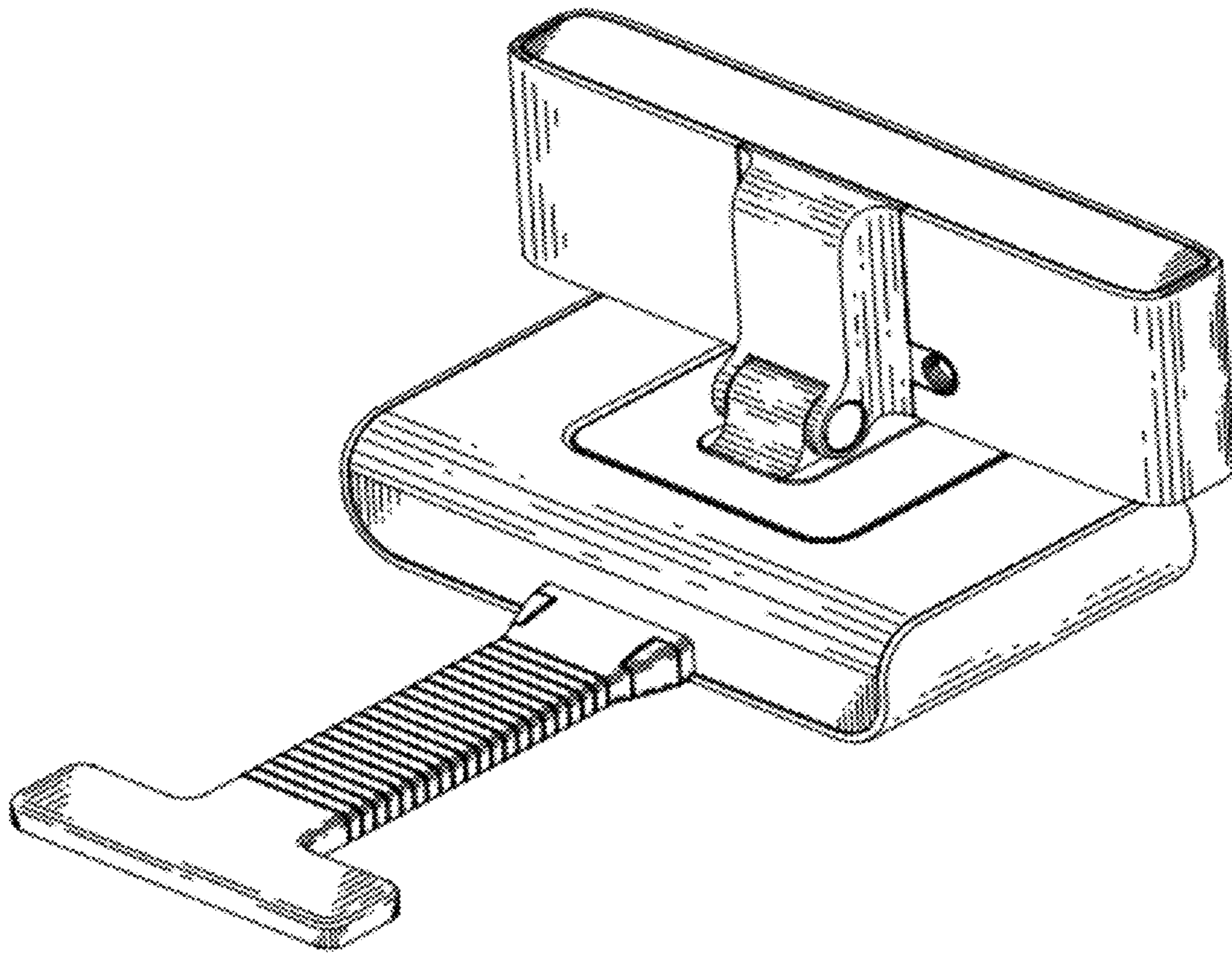


FIG. 8

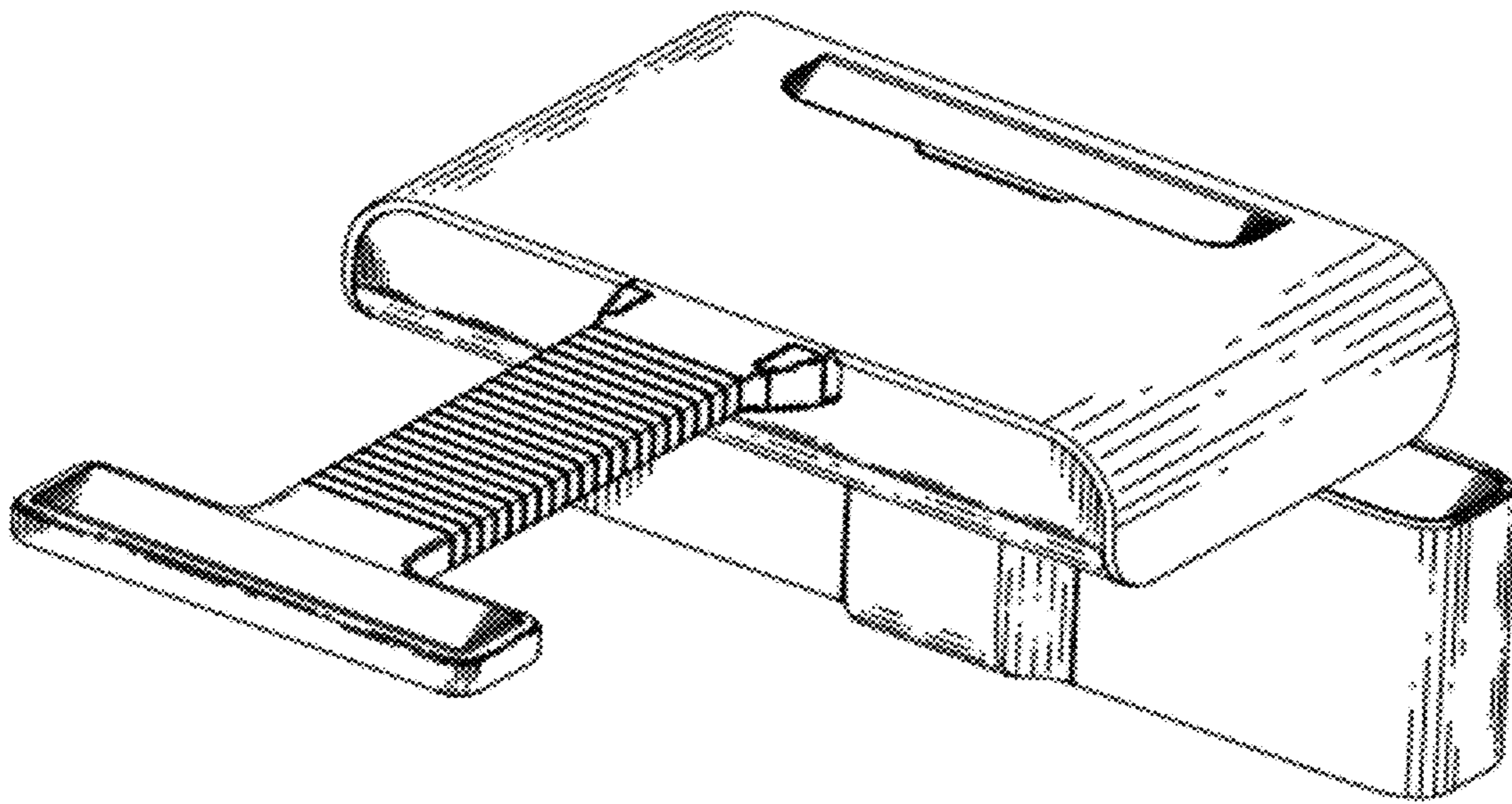


FIG. 9