



US00D664578S

(12) **United States Design Patent**
Tanifuji et al.

(10) **Patent No.:** **US D664,578 S**
(45) **Date of Patent:** **** Jul. 31, 2012**

(54) **CAMCORDER**

(75) Inventors: **Shuji Tanifuji**, Kanagawa (JP); **Eiichiro Hayashi**, Tokyo (JP)

(73) Assignee: **JVC Kenwood Corporation**, Yokohama (JP)

(**) Term: **14 Years**

(21) Appl. No.: **29/386,084**

(22) Filed: **Feb. 24, 2011**

(30) **Foreign Application Priority Data**

Nov. 24, 2010 (JP) D2010-028068

(51) **LOC (9) Cl.** **16-01**

(52) **U.S. Cl.** **D16/202**

(58) **Field of Classification Search** D16/200–205,
D16/208, 218; 348/373–376; 358/906;
396/535–541

See application file for complete search history.

(56) **References Cited**

U.S. PATENT DOCUMENTS

6,683,654 B1 * 1/2004 Haijima 348/374
D529,063 S * 9/2006 Cheng D16/203
D540,360 S * 4/2007 Yamakawa D16/203
D584,754 S * 1/2009 Chung et al. D16/202
D584,755 S * 1/2009 Eriksson D16/202

D588,176 S * 3/2009 Tanifuji et al. D16/202
D608,379 S * 1/2010 Kinemura D16/202
D613,323 S * 4/2010 Jang et al. D16/202
D629,823 S * 12/2010 Tanifuji et al. D16/202

* cited by examiner

Primary Examiner — Adir Aronovich

(74) *Attorney, Agent, or Firm* — The Nath Law Group;
Jerald L. Meyer; Robert T. Burns

(57) **CLAIM**

The ornamental design for a camcorder, as shown and described.

DESCRIPTION

FIG. 1 is a front and left side perspective view of a camcorder showing our new design;

FIG. 2 is a rear perspective view thereof;

FIG. 3 is a front elevational view thereof;

FIG. 4 is a left side elevational view thereof;

FIG. 5 is a right side elevational view thereof;

FIG. 6 is a top plan view thereof;

FIG. 7 is a rear elevational view thereof;

FIG. 8 is a bottom plan view thereof; and,

FIG. 9 is a front and left side perspective view showing the camcorder with its monitor panel opened.

The portions of the camcorder in broken lines are shown for illustrative purposes only and form no part of the claimed design.

1 Claim, 8 Drawing Sheets

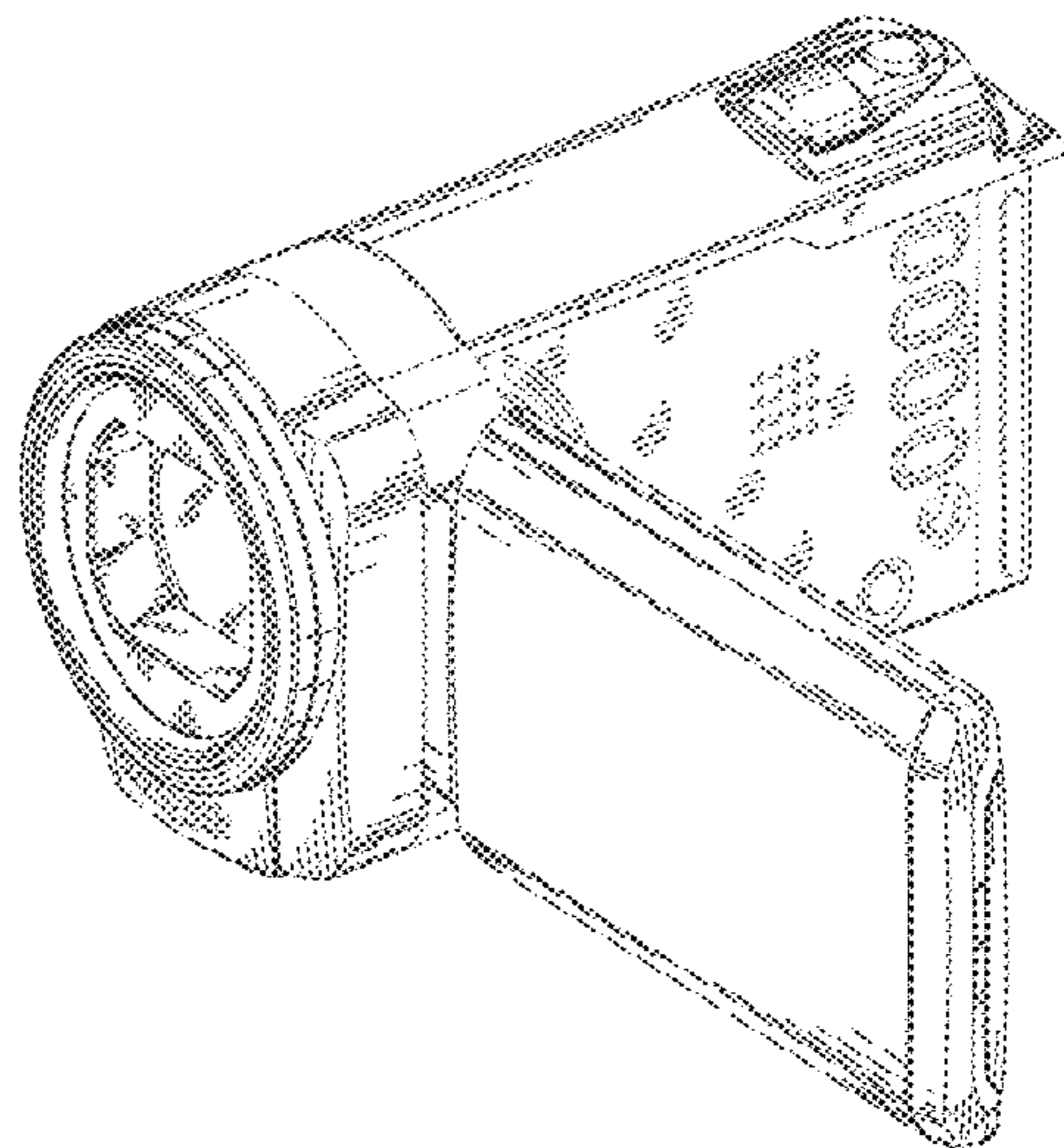
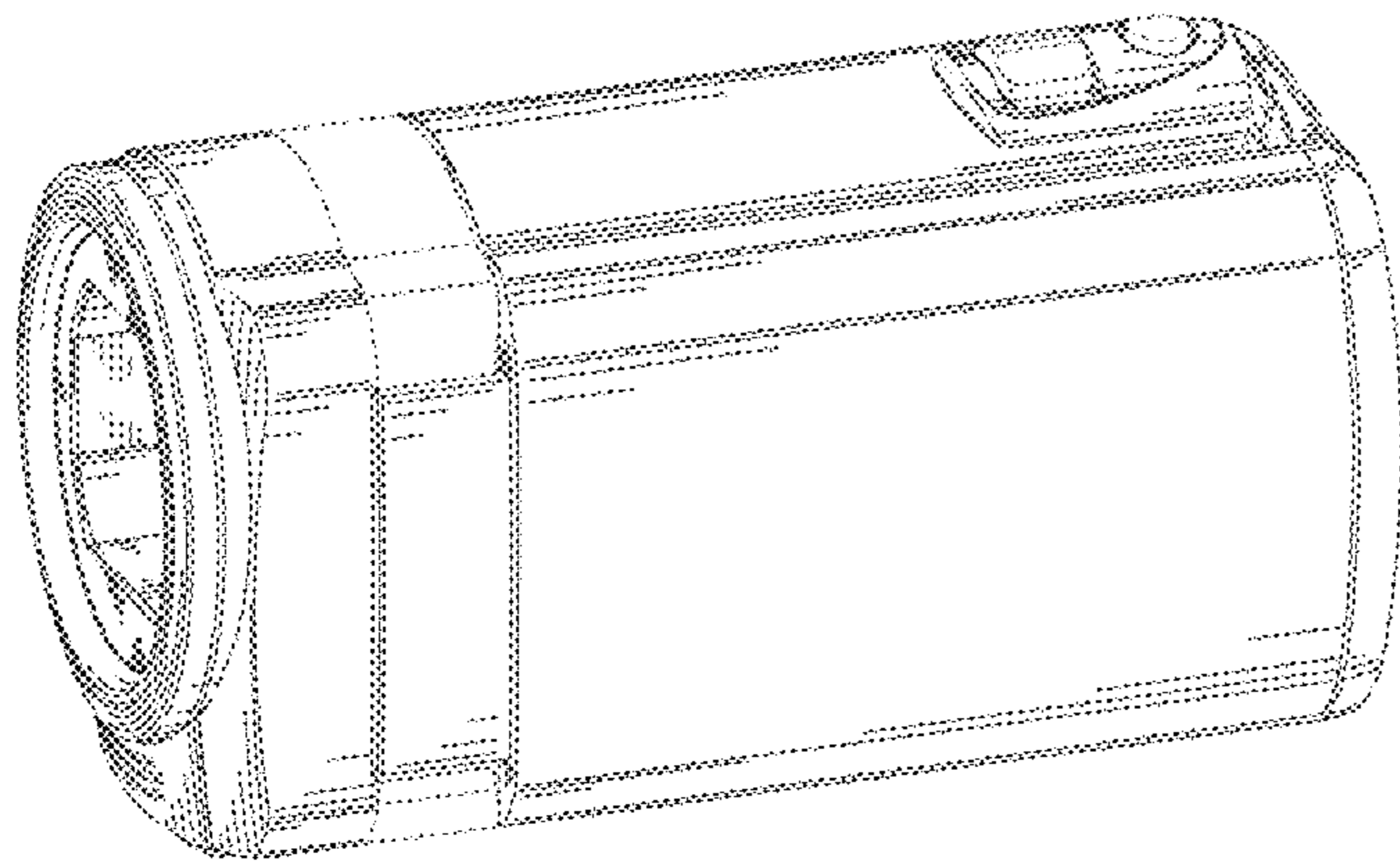
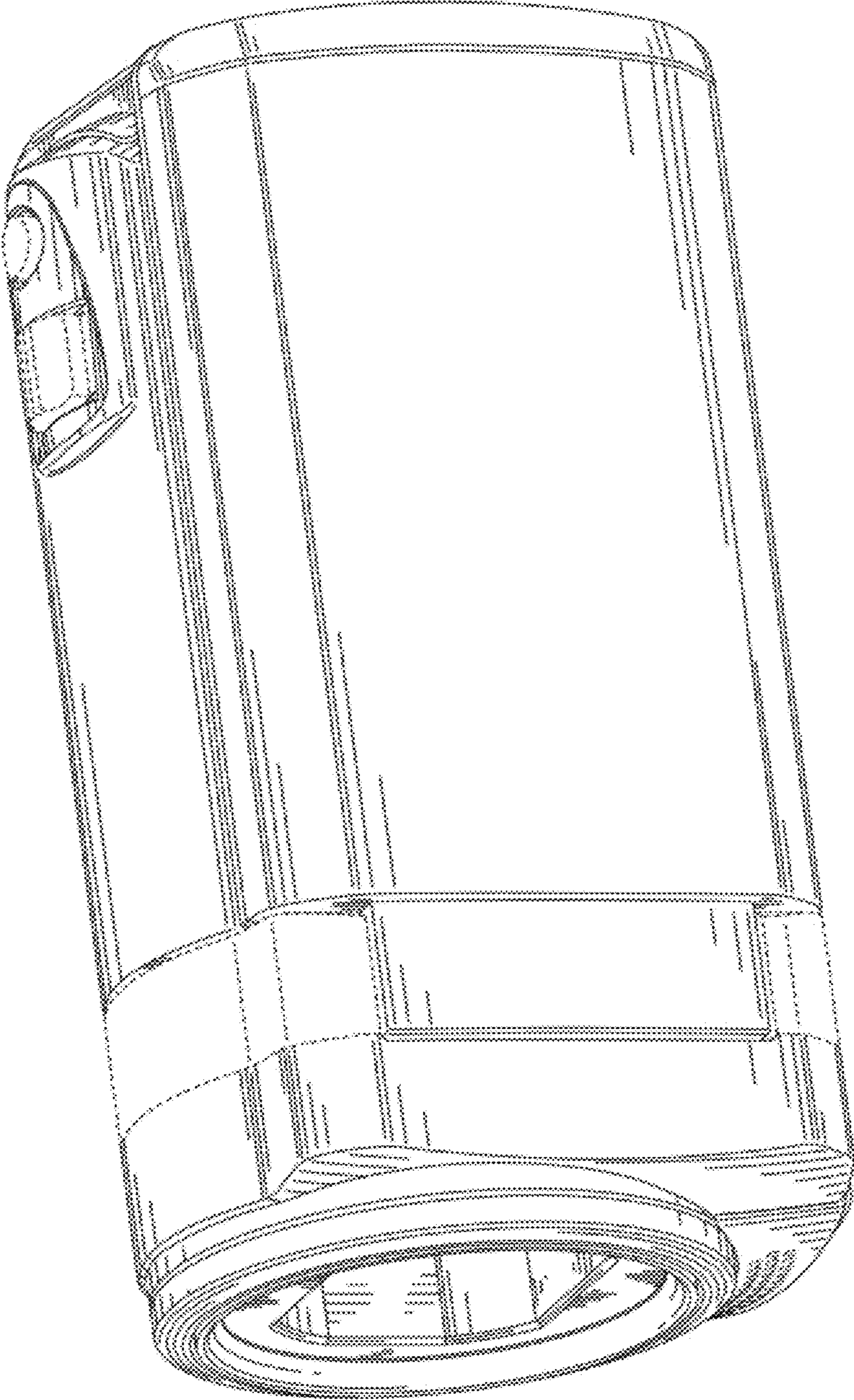


Fig. 1



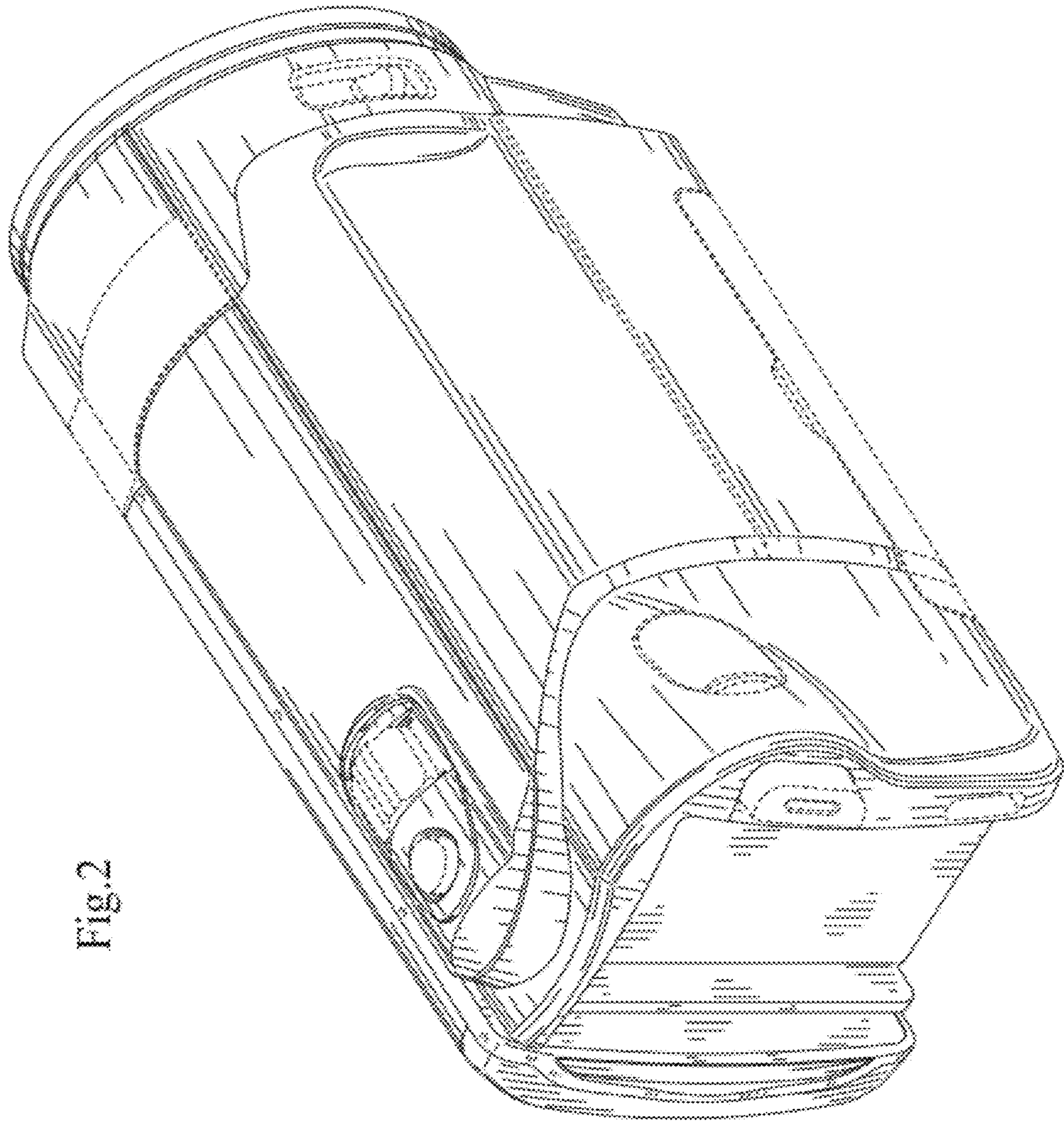


Fig.2

Fig.3

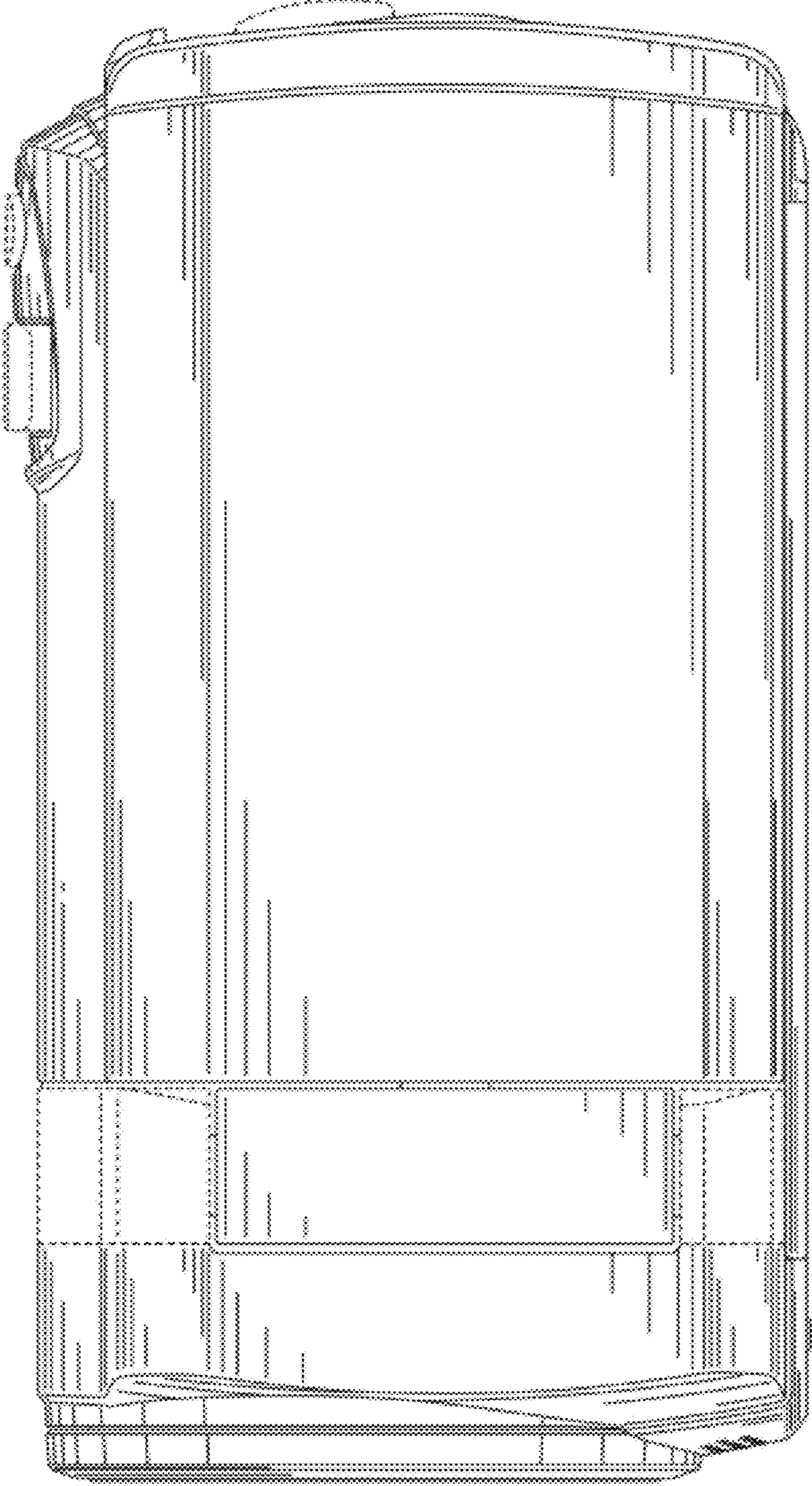


Fig.5

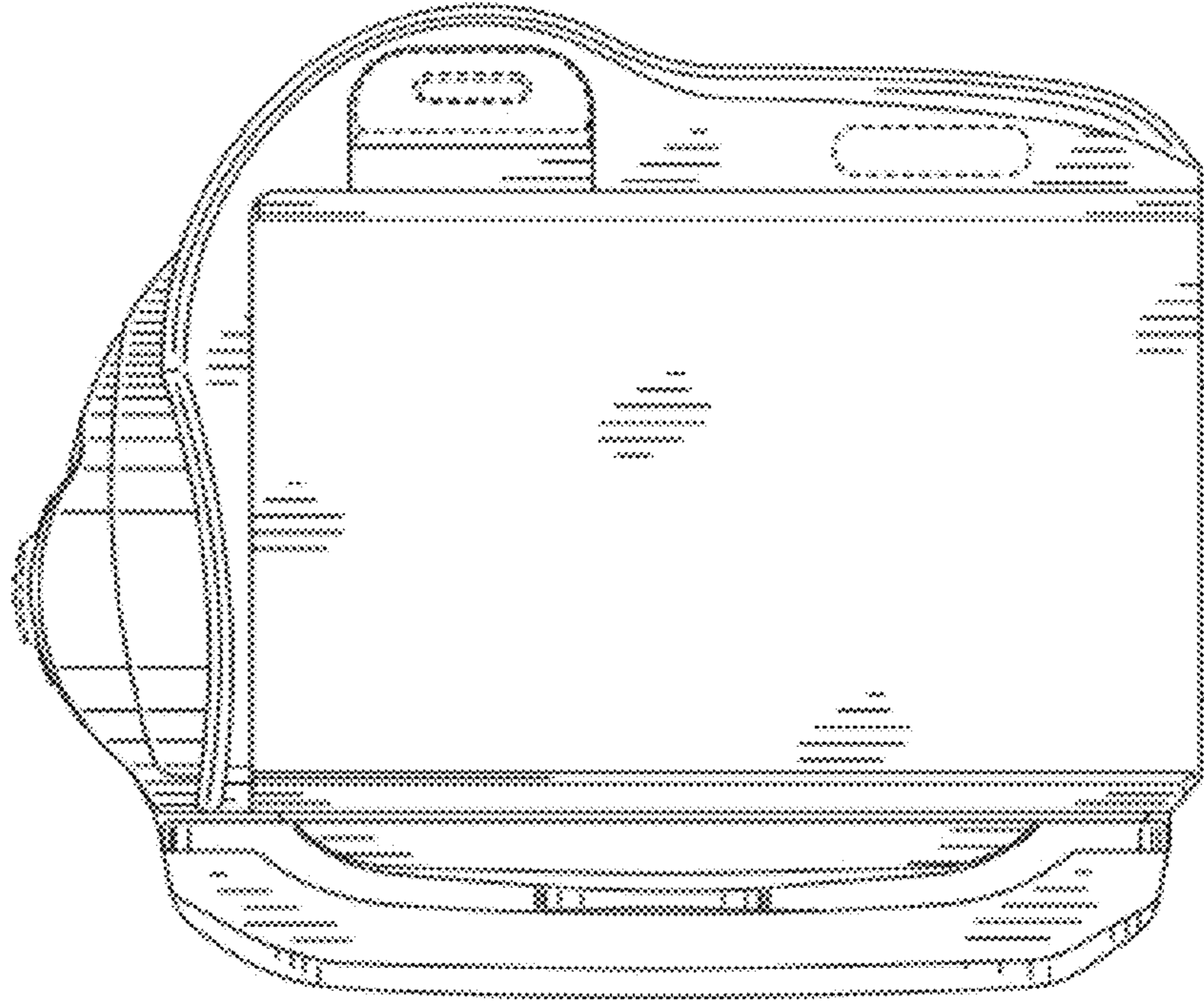


Fig.4

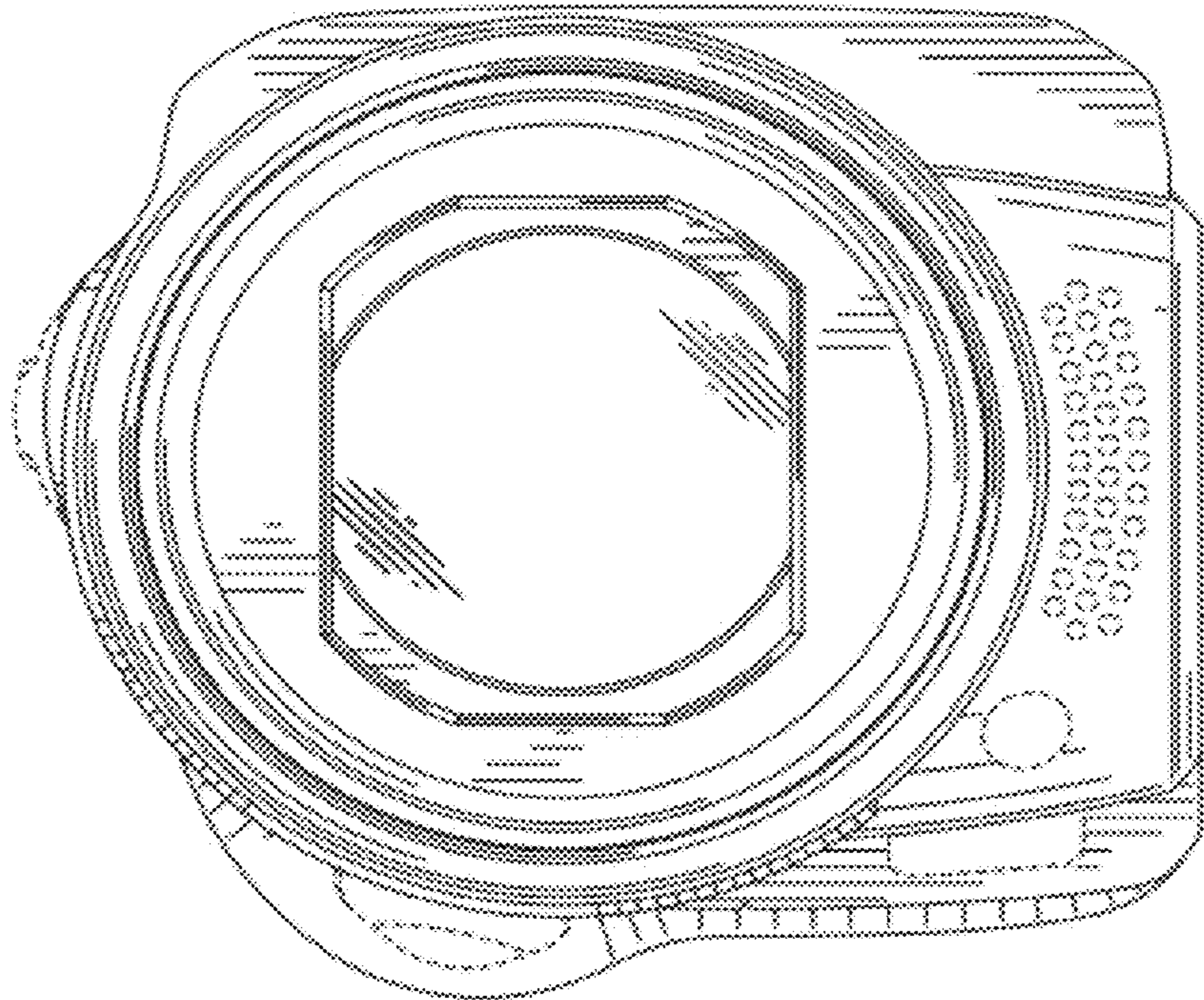


Fig.6

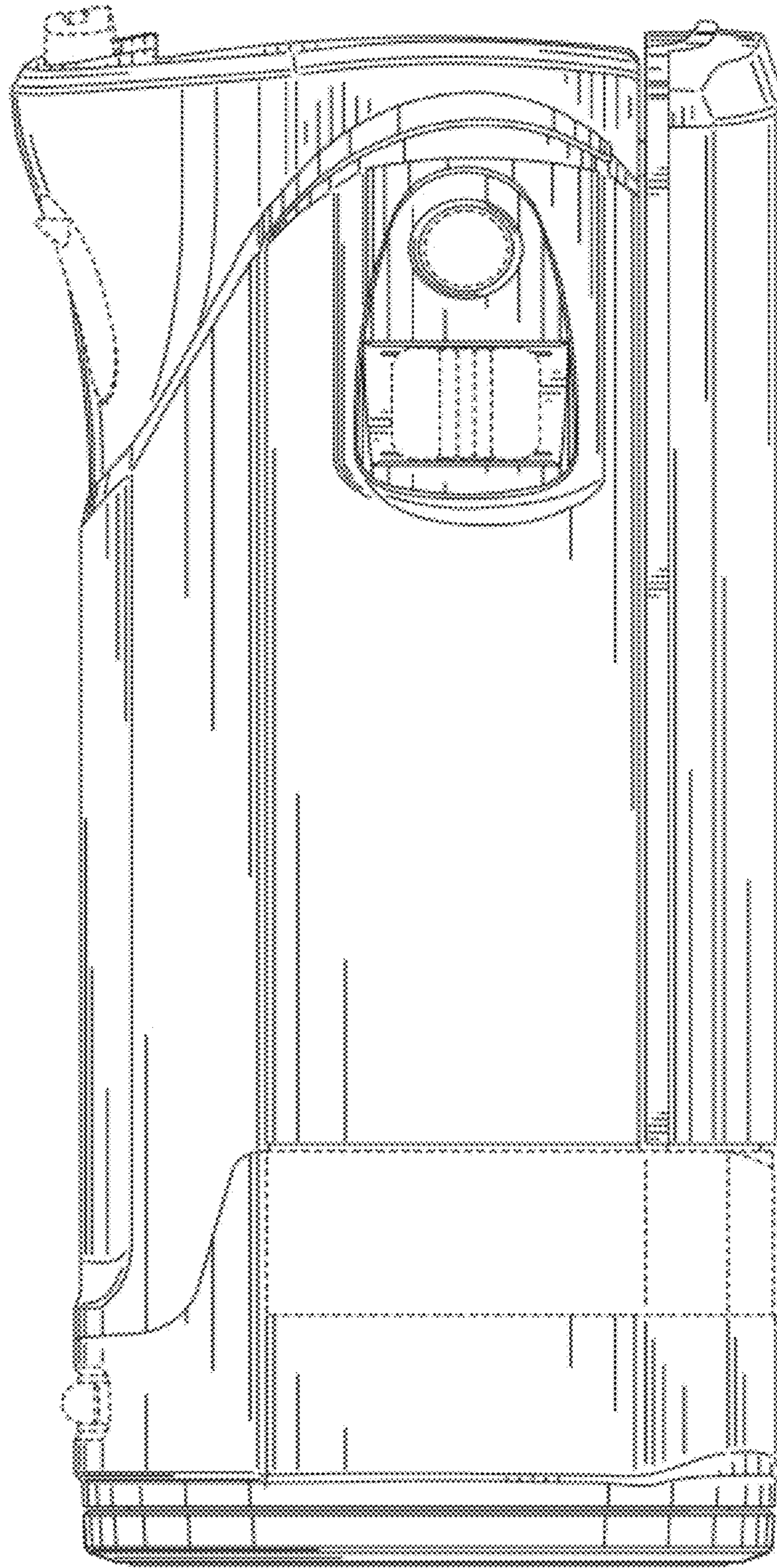


Fig.7

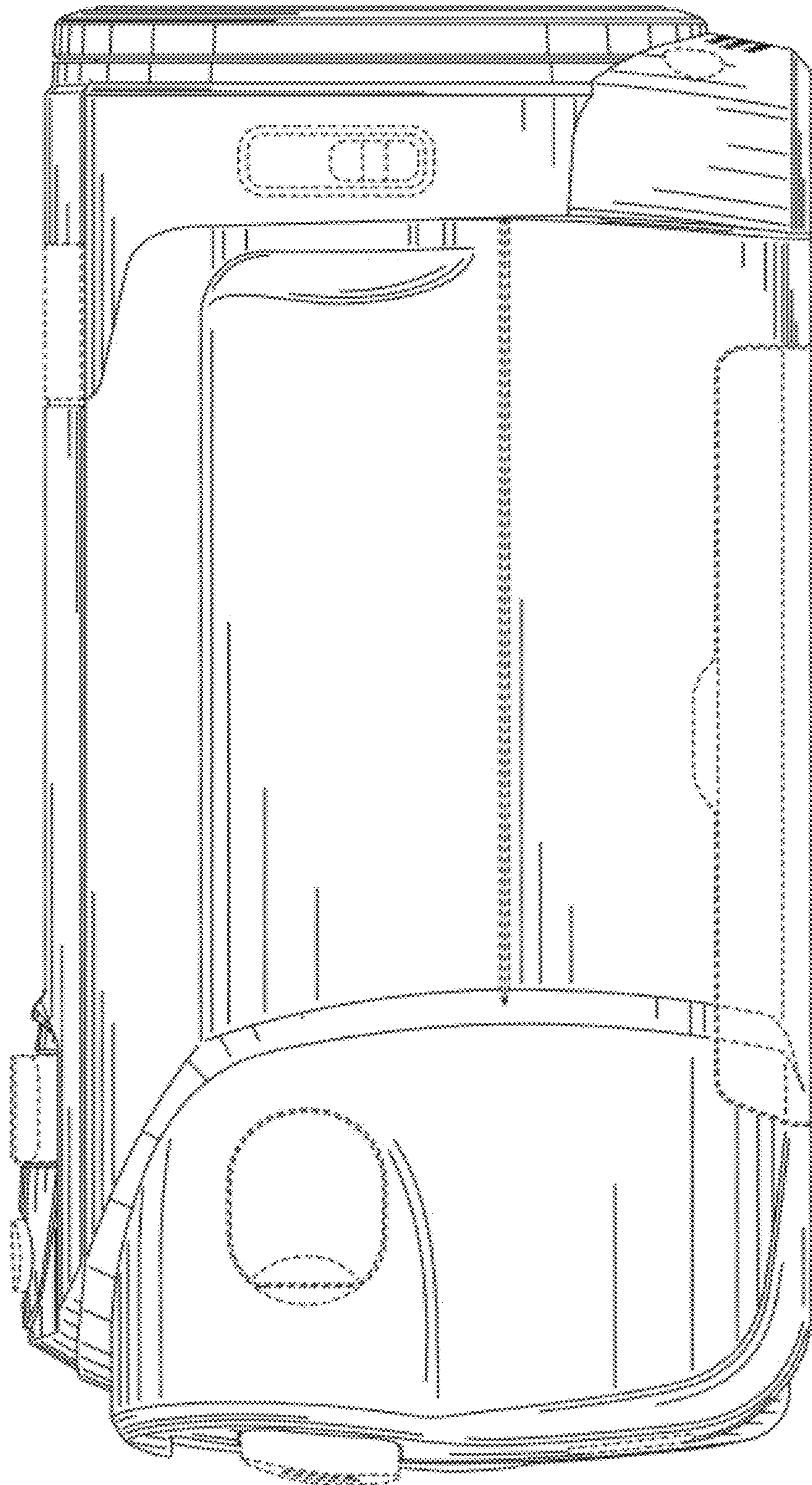
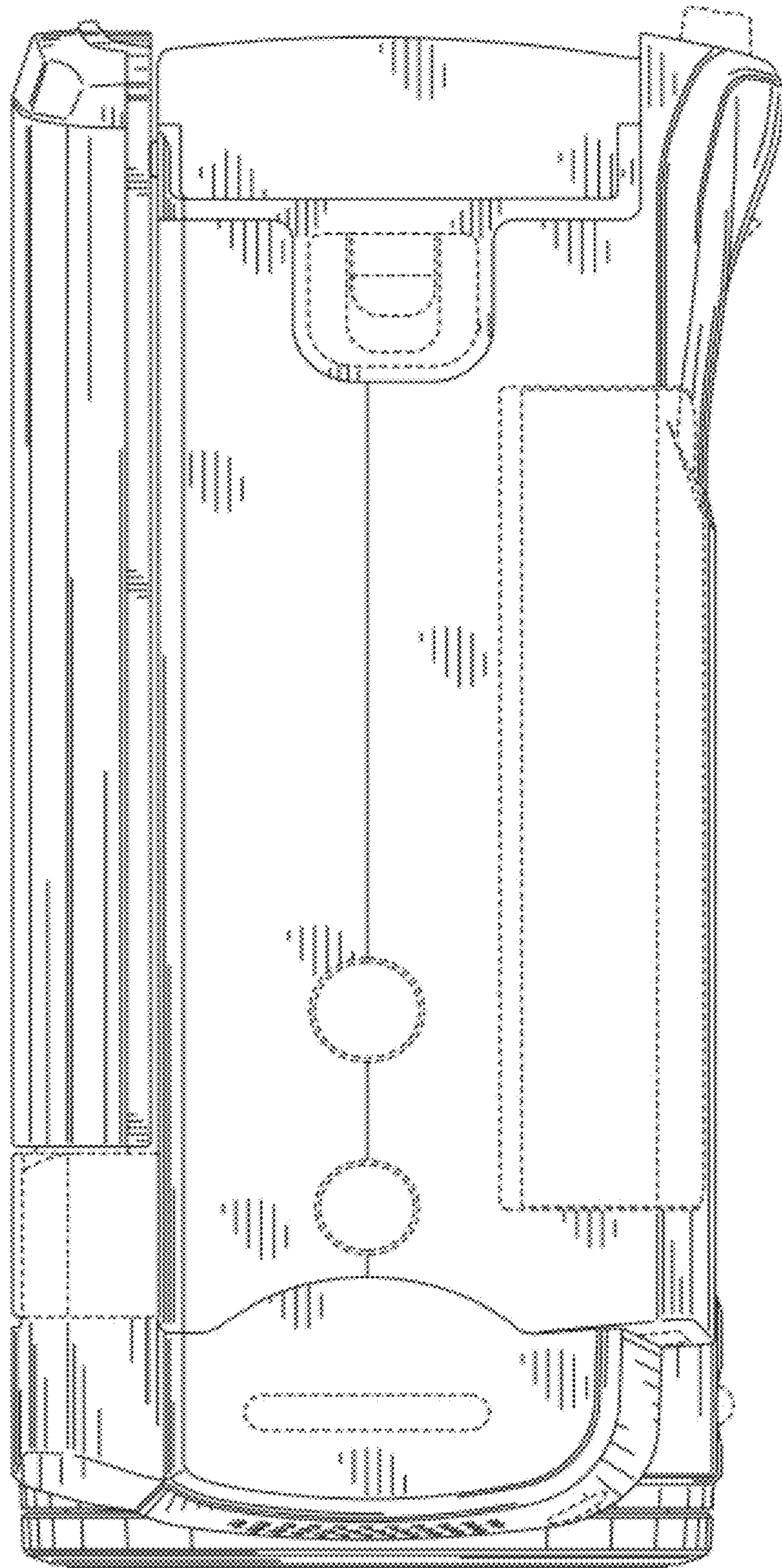


Fig. 8



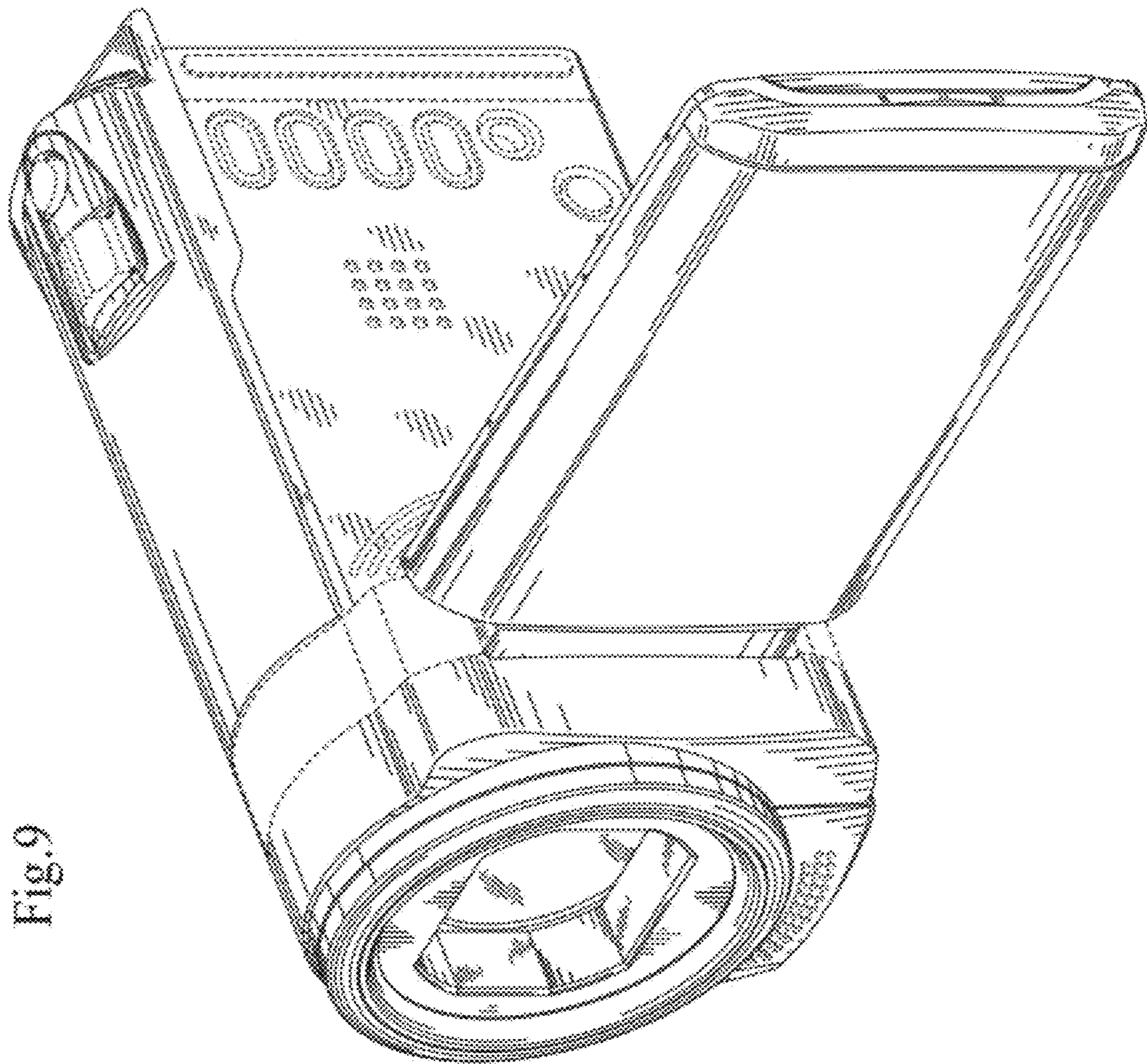


Fig. 9