



US00D664576S

(12) **United States Design Patent**
Mueller et al.

(10) **Patent No.:** **US D664,576 S**
(45) **Date of Patent:** **** Jul. 31, 2012**

(54) **VIBRATING TABLE**

(75) Inventors: **Alexander Mueller**, Fuerth (DE);
Sebastian Maier, Fuerth (DE)

(73) Assignee: **Sartorius Weighing Technology GmbH**
(DE)

(**) Term: **14 Years**

(21) Appl. No.: **29/412,357**

(22) Filed: **Feb. 2, 2012**

(30) **Foreign Application Priority Data**

Aug. 2, 2011 (EM) 001287585-0002

(51) **LOC (9) Cl.** **05-99**

(52) **U.S. Cl.** **D15/147**

(58) **Field of Classification Search** D15/122,
D15/131, 147, 199; 209/233-235, 260, 509,
209/606, 641, 642, 680, 693, 696, 699, 707,
209/910, 911, 940

See application file for complete search history.

(56) **References Cited**

U.S. PATENT DOCUMENTS

2,150,519 A * 3/1939 Rogers et al. 601/55
2,512,304 A * 6/1950 Calver 73/667
3,517,913 A * 6/1970 Rossem 366/112
3,945,246 A * 3/1976 Wadensten 73/666

4,078,996 A * 3/1978 Cohen-Alloro et al. 209/441
4,796,685 A * 1/1989 Hanneton et al. 164/203
5,277,300 A * 1/1994 Maggioni 198/759
5,606,231 A * 2/1997 Kroger et al. 318/67
6,155,707 A * 12/2000 Brehier et al. 366/110
D542,817 S * 5/2007 George D15/147
D583,398 S * 12/2008 Seiler D15/147
D585,922 S * 2/2009 Curran et al. D15/147
D594,489 S * 6/2009 Rose D15/147
D630,659 S * 1/2011 Dibbs D15/147
2005/0022700 A1 * 2/2005 Mackrill et al. 108/70

* cited by examiner

Primary Examiner — Patricia Palasik

(74) *Attorney, Agent, or Firm* — Gerald E. Hespos; Michael
J. Porco

(57) **CLAIM**

The ornamental design for a vibrating table, as shown and
described.

DESCRIPTION

FIG. 1 is a front perspective view of a vibrating table showing
the new design;

FIG. 2 is a rear perspective view thereof;

FIG. 3 is a front elevational view thereof;

FIG. 4 is a rear elevational view thereof;

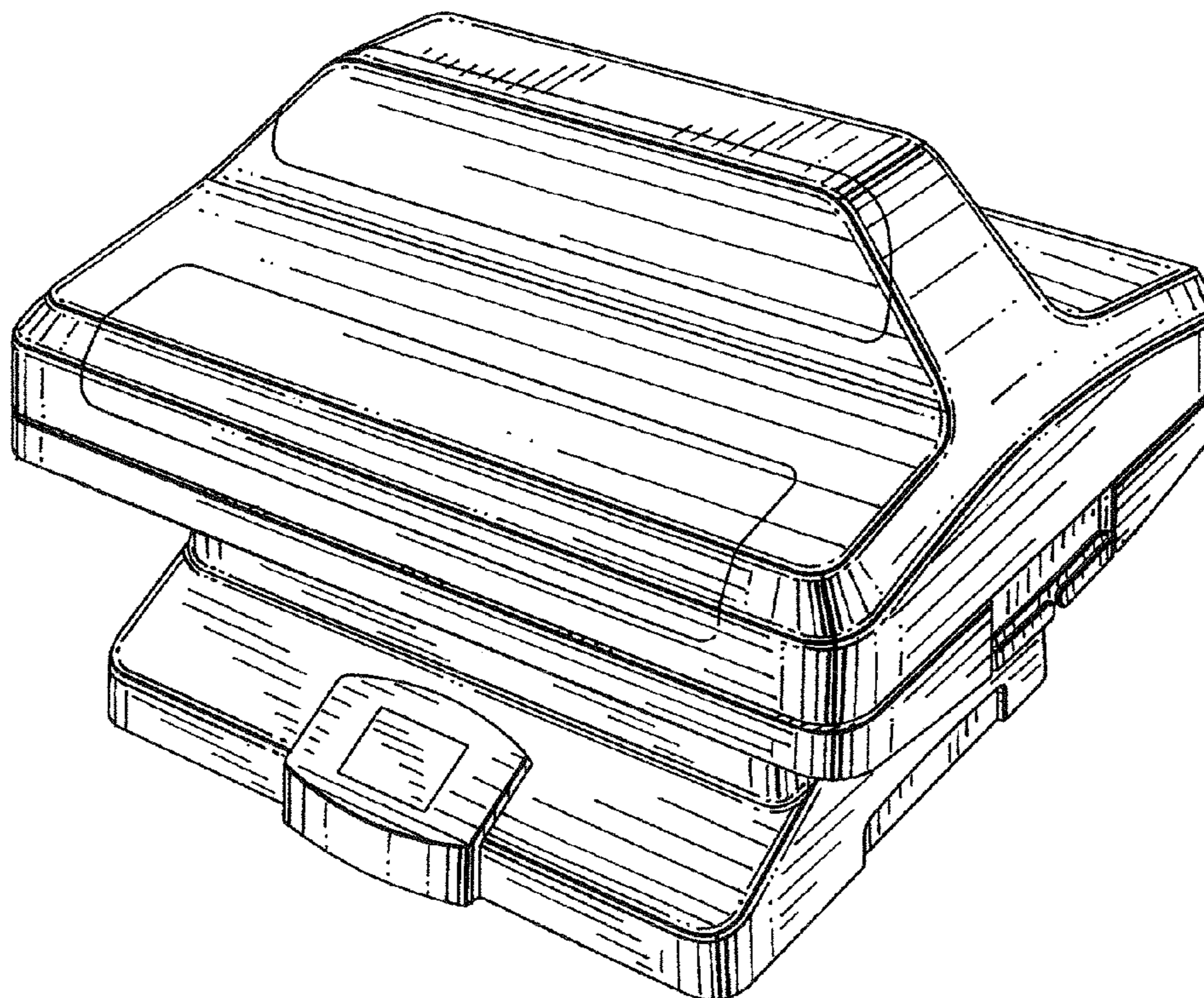
FIG. 5 is a top plan view thereof;

FIG. 6 is a bottom plan view thereof;

FIG. 7 is a right side elevational view thereof; and,

FIG. 8 is a left side elevational view thereof.

1 Claim, 8 Drawing Sheets



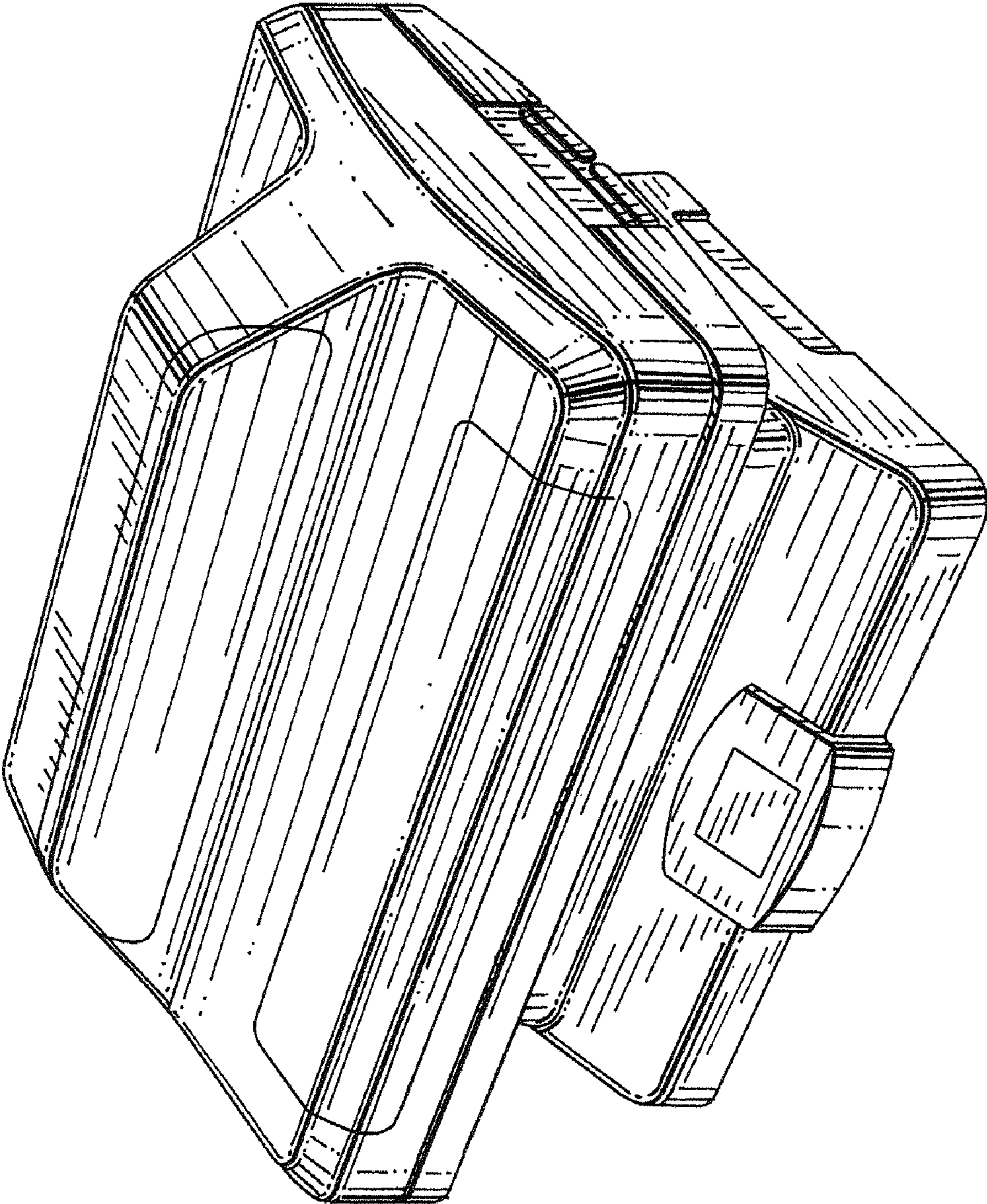


FIG. 1

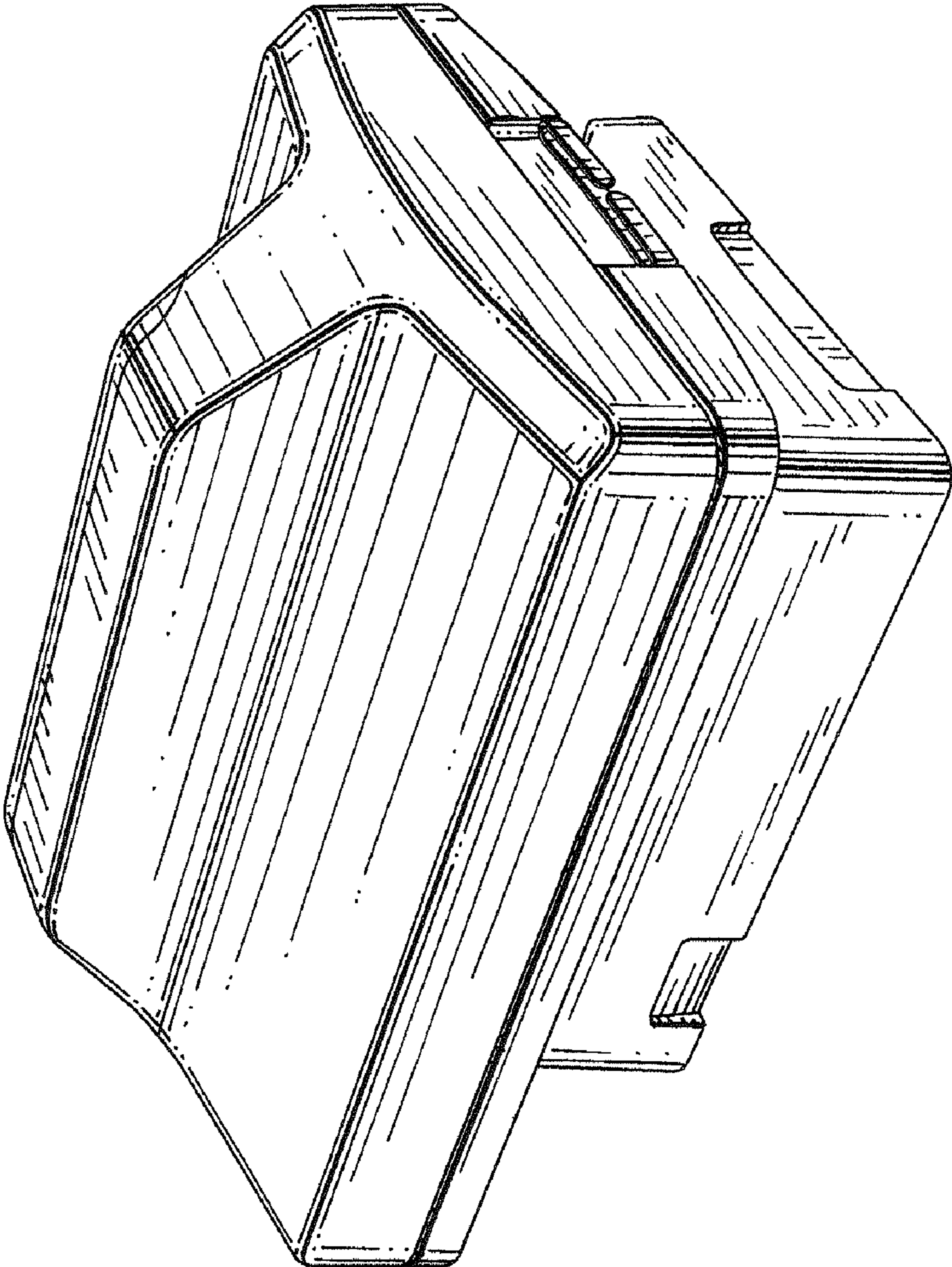


FIG.2

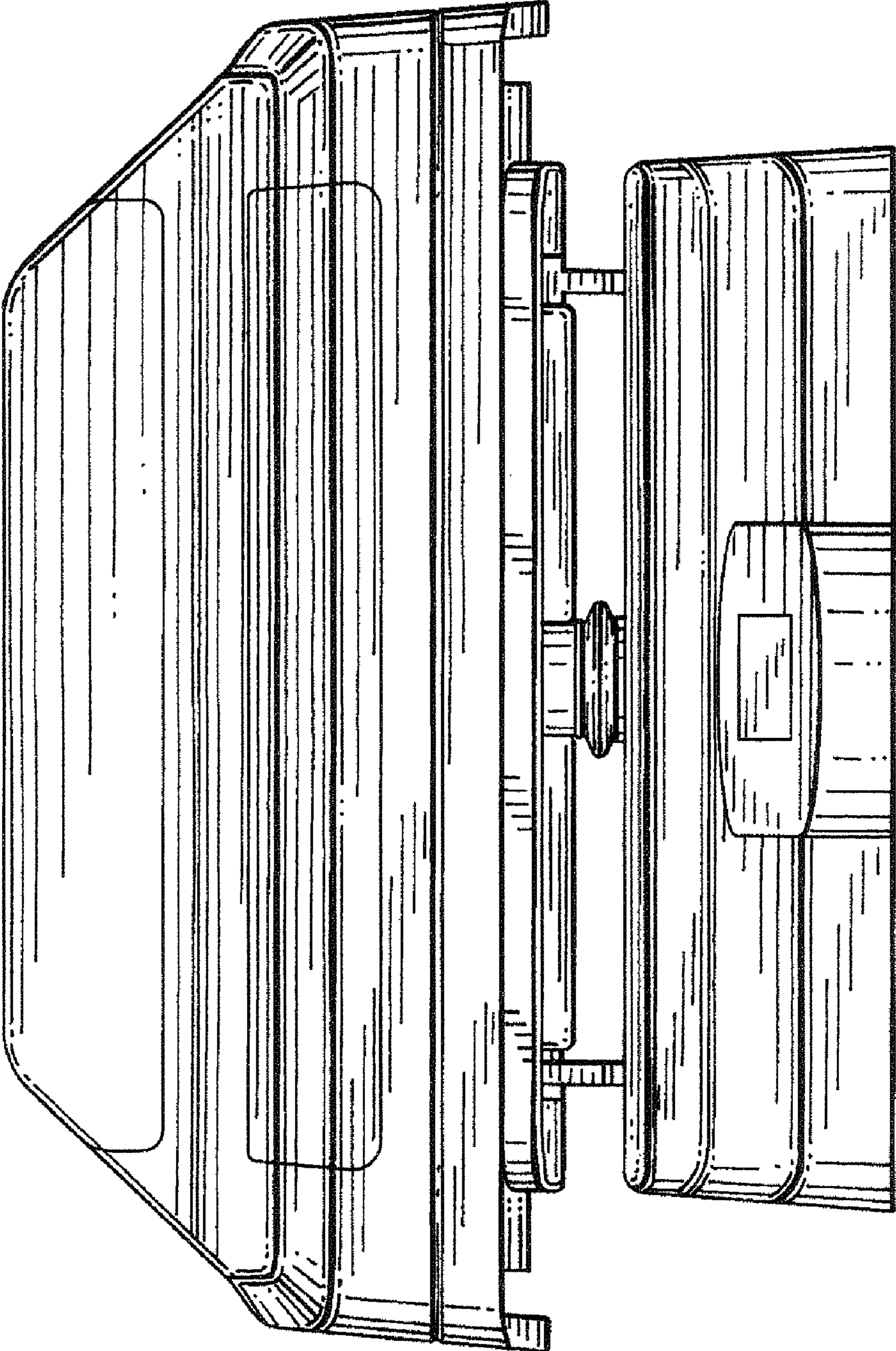


FIG. 3

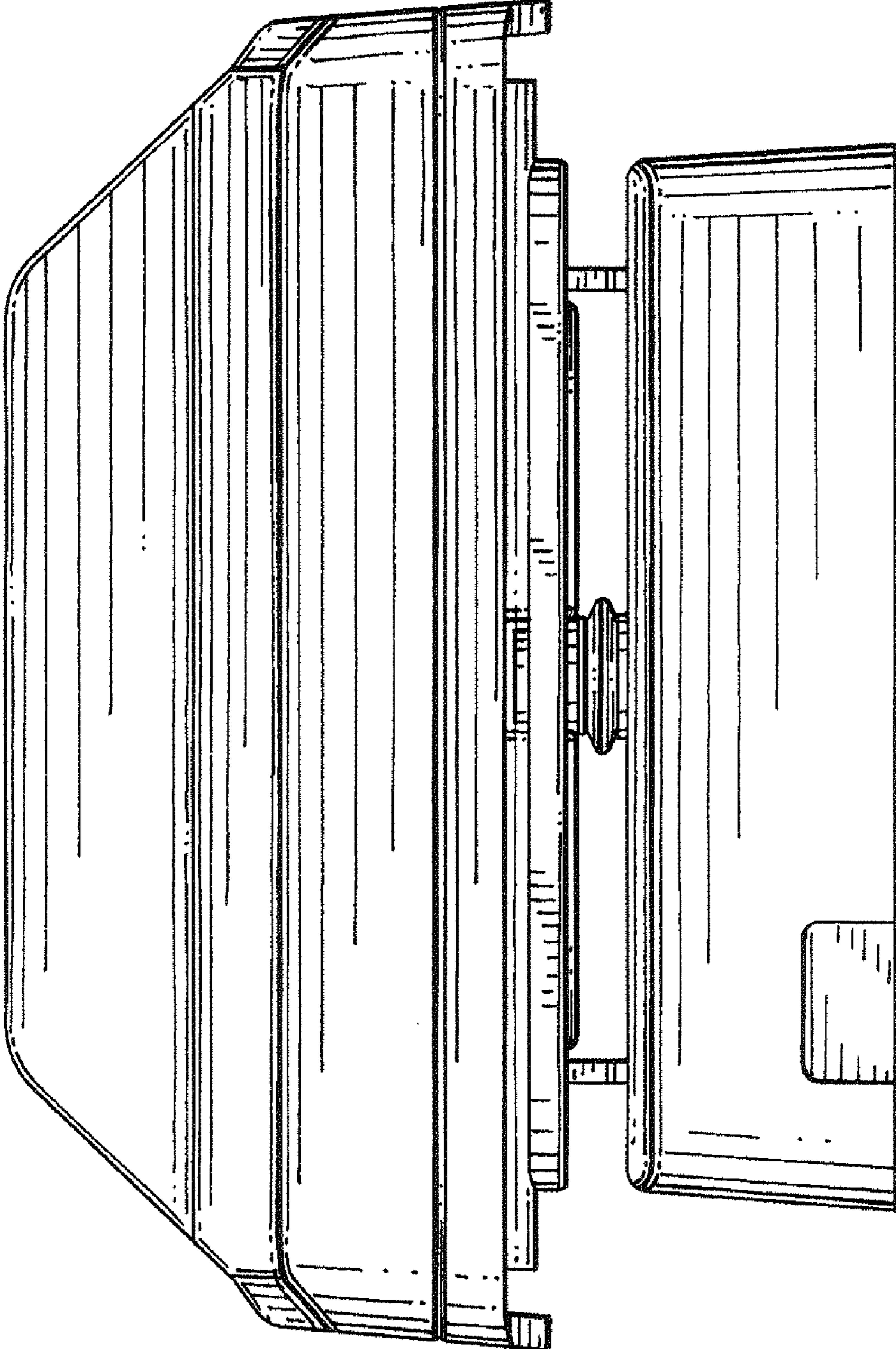


FIG.4

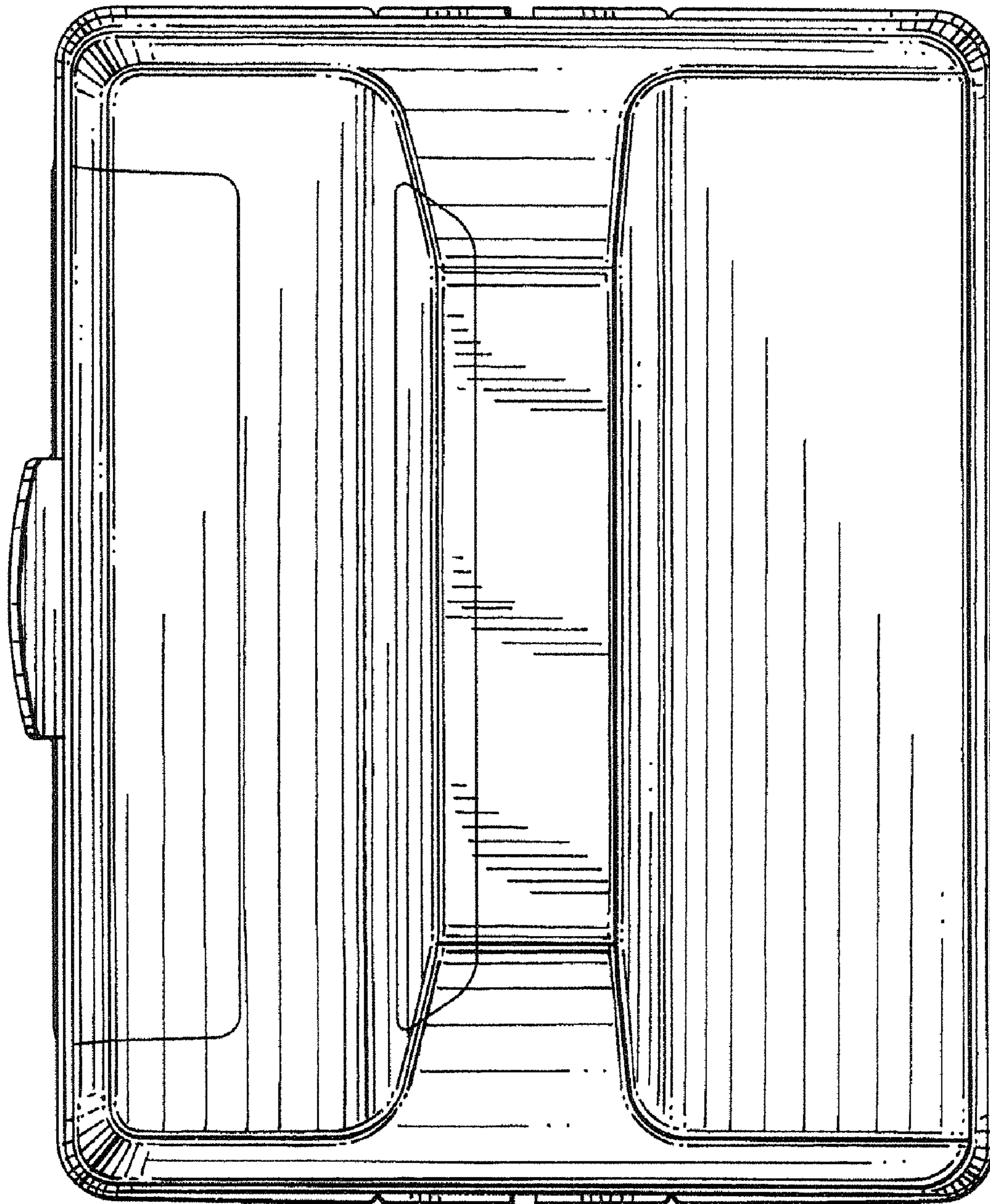


FIG.5

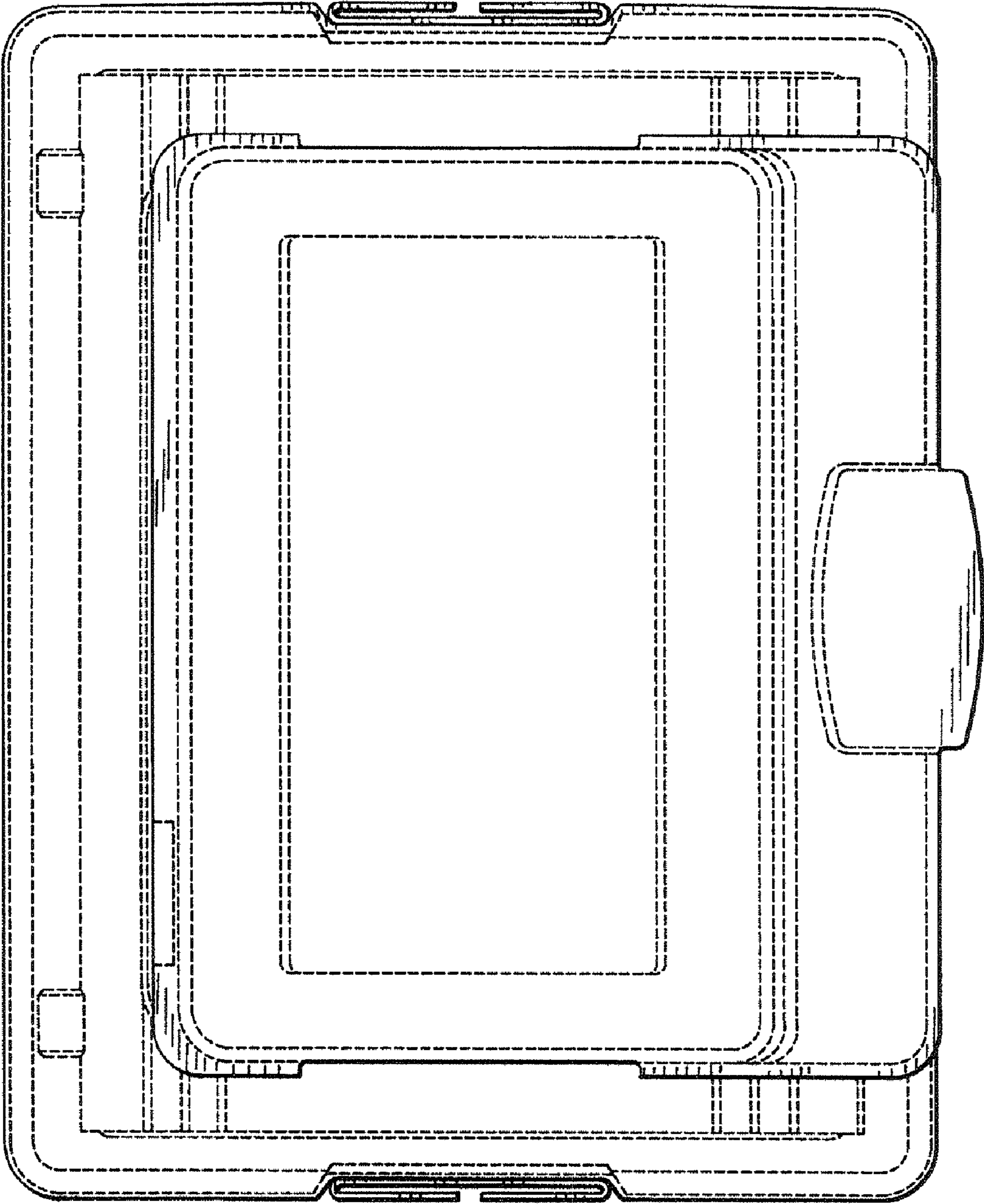


FIG.6

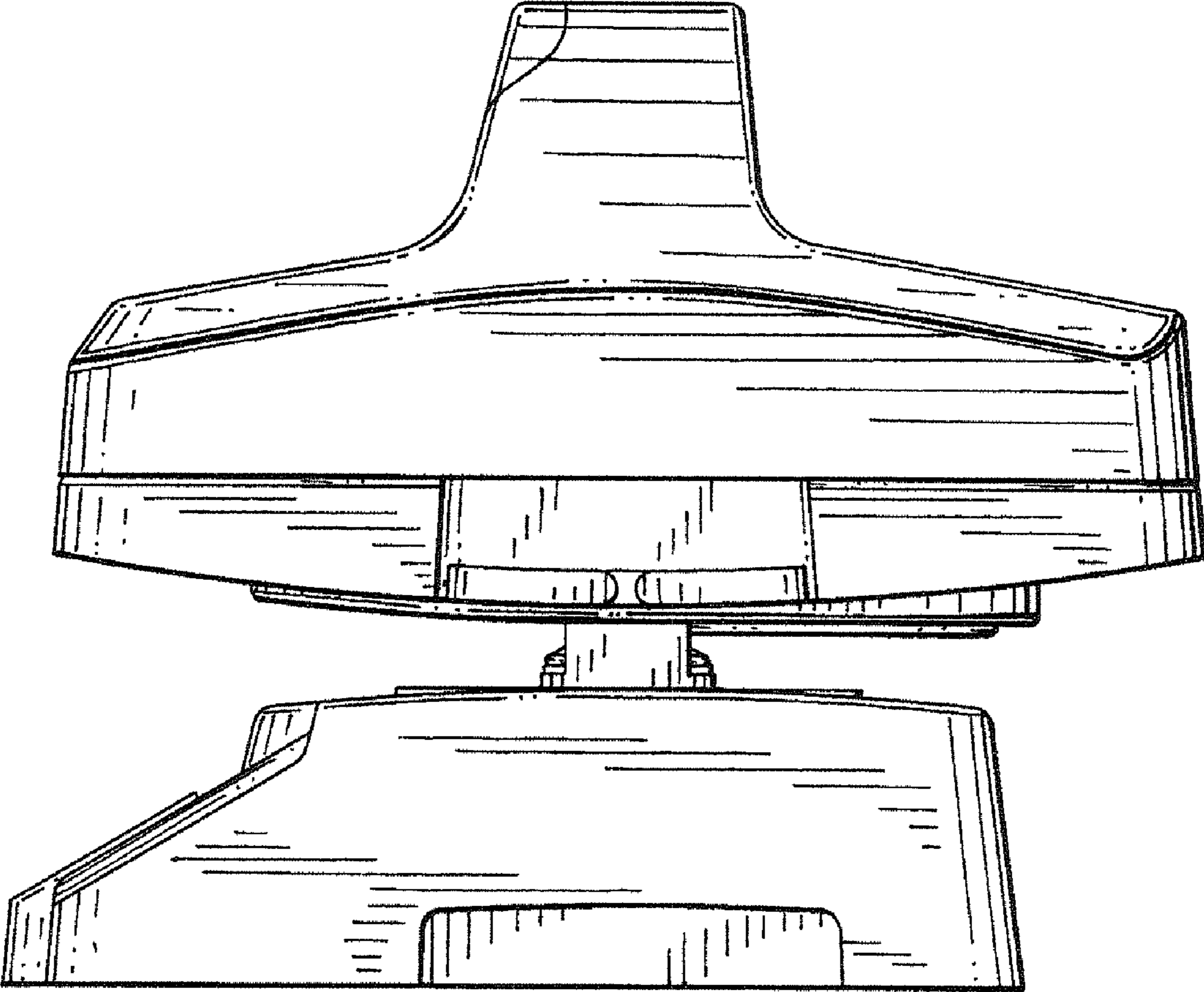


FIG. 7

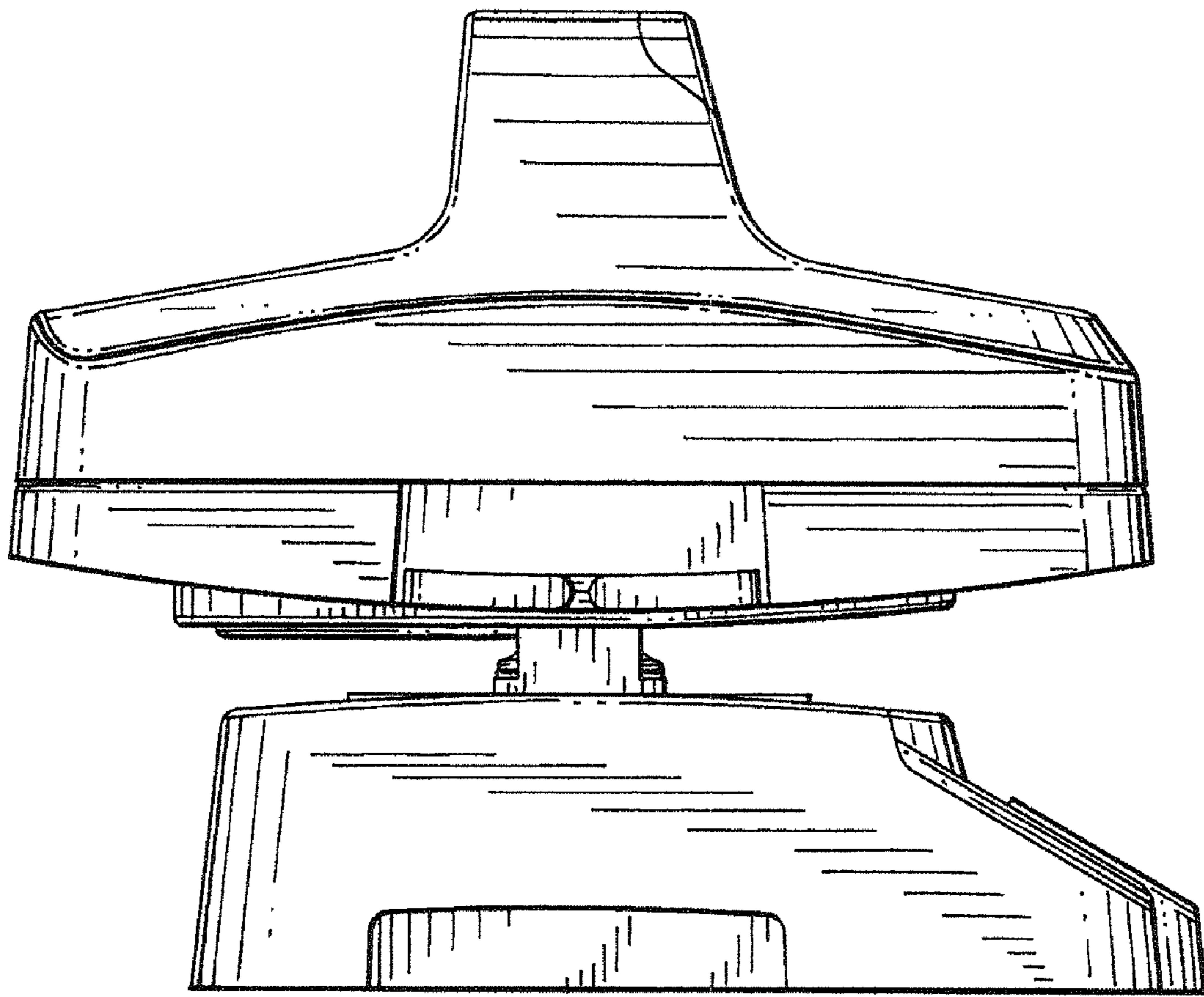


FIG. 8