

US00D664575S

(12) **United States Design Patent**
Pinchot

(10) **Patent No.:** **US D664,575 S**
(45) **Date of Patent:** **** Jul. 31, 2012**

- (54) **EXTRUDER PLATE FOR TRIANGULAR SHAPED EXTRUDER INSERTS**
- (75) Inventor: **James M. Pinchot**, Parma, OH (US)
- (73) Assignee: **JMP Industries, Inc.**, Cleveland, OH (US)
- (**) Term: **14 Years**
- (21) Appl. No.: **29/390,218**
- (22) Filed: **Apr. 21, 2011**
- (51) **LOC (9) Cl.** **15-09**
- (52) **U.S. Cl.** **D15/139**
- (58) **Field of Classification Search** D7/368, D7/387, 665, 672, 676, 677; D15/138, 139, D15/199; D21/398, 401, 444, 468, 483, D21/488, 501-503, 563, 680; D23/259-261; 264/117.12, 209.1, 209.8; 366/76.1, 149; 425/190, 208, 380

| | | | | |
|--------------|--------|---------|-------|---------|
| D562,859 S * | 2/2008 | Pinchot | | D15/199 |
| D562,860 S * | 2/2008 | Pinchot | | D15/199 |
| D563,441 S * | 3/2008 | Pinchot | | D15/199 |
| D564,550 S * | 3/2008 | Pinchot | | D15/139 |
| D564,551 S * | 3/2008 | Pinchot | | D15/139 |
| D565,067 S * | 3/2008 | Pinchot | | D15/139 |
| D565,068 S * | 3/2008 | Pinchot | | D15/199 |
| D565,610 S * | 4/2008 | Pinchot | | D15/139 |
| D565,611 S * | 4/2008 | Pinchot | | D15/139 |
| D565,612 S * | 4/2008 | Pinchot | | D15/139 |
| D568,349 S * | 5/2008 | Pinchot | | D15/139 |

* cited by examiner

Primary Examiner — Patricia Palasik

(74) *Attorney, Agent, or Firm* — Fay Sharpe LLP; Brian E. Turung

See application file for complete search history.

(56) **References Cited**

U.S. PATENT DOCUMENTS

| | | | | |
|--------------|--------|---------|-------|---------|
| D562,370 S * | 2/2008 | Pinchot | | D15/199 |
| D562,857 S * | 2/2008 | Pinchot | | D15/199 |

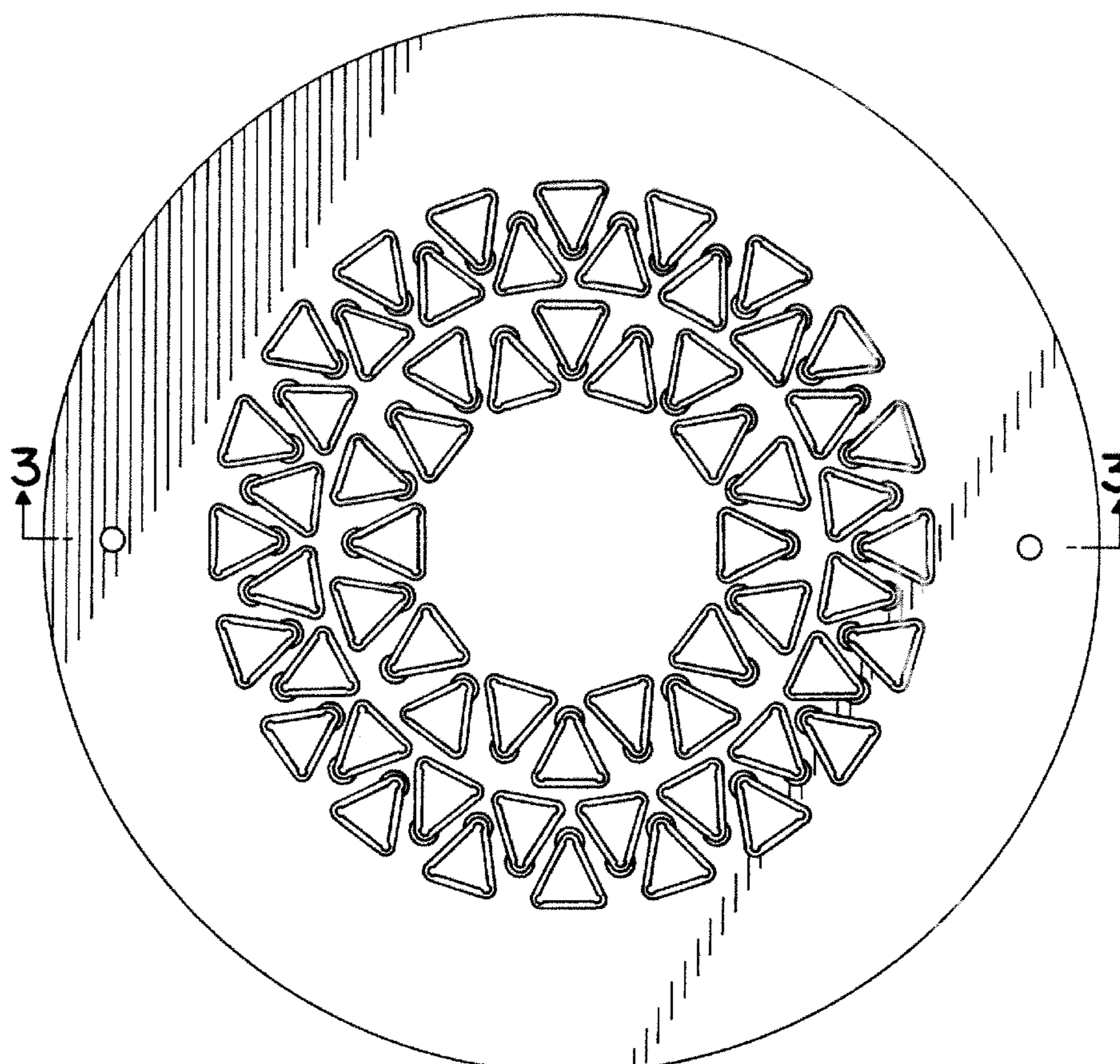
(57) **CLAIM**

The ornamental design for an extruder plate for triangular shaped extruder inserts, as shown and described.

DESCRIPTION

FIG. 1 is a top plan view of an extruder plate for generally triangular shaped extruder inserts showing my new design; FIG. 2 is a bottom plan view of the extruder plate of FIG. 1; and, FIG. 3 is a cross-sectional view along line 3-3 of FIG. 1.

1 Claim, 3 Drawing Sheets



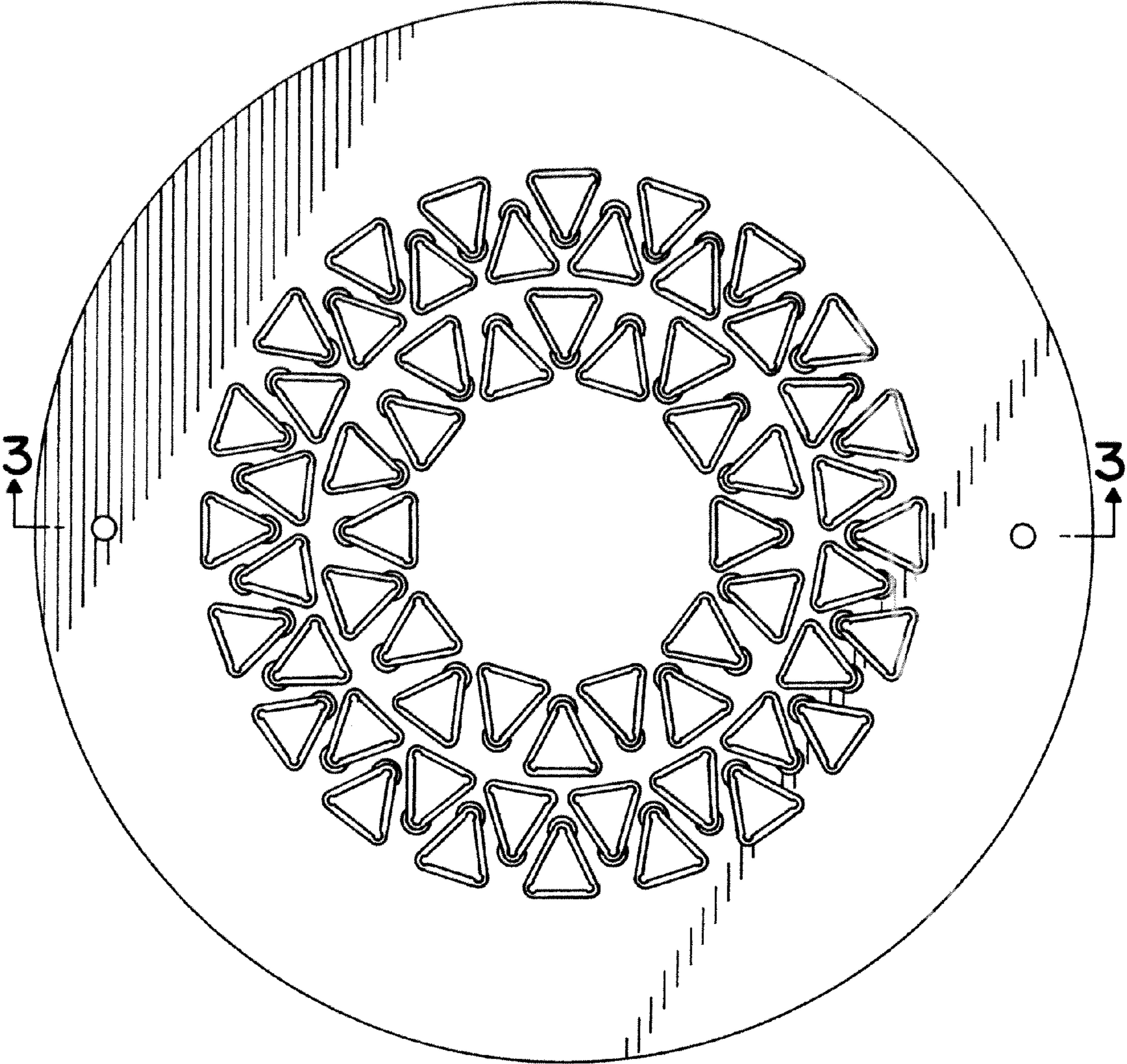


FIG. 1

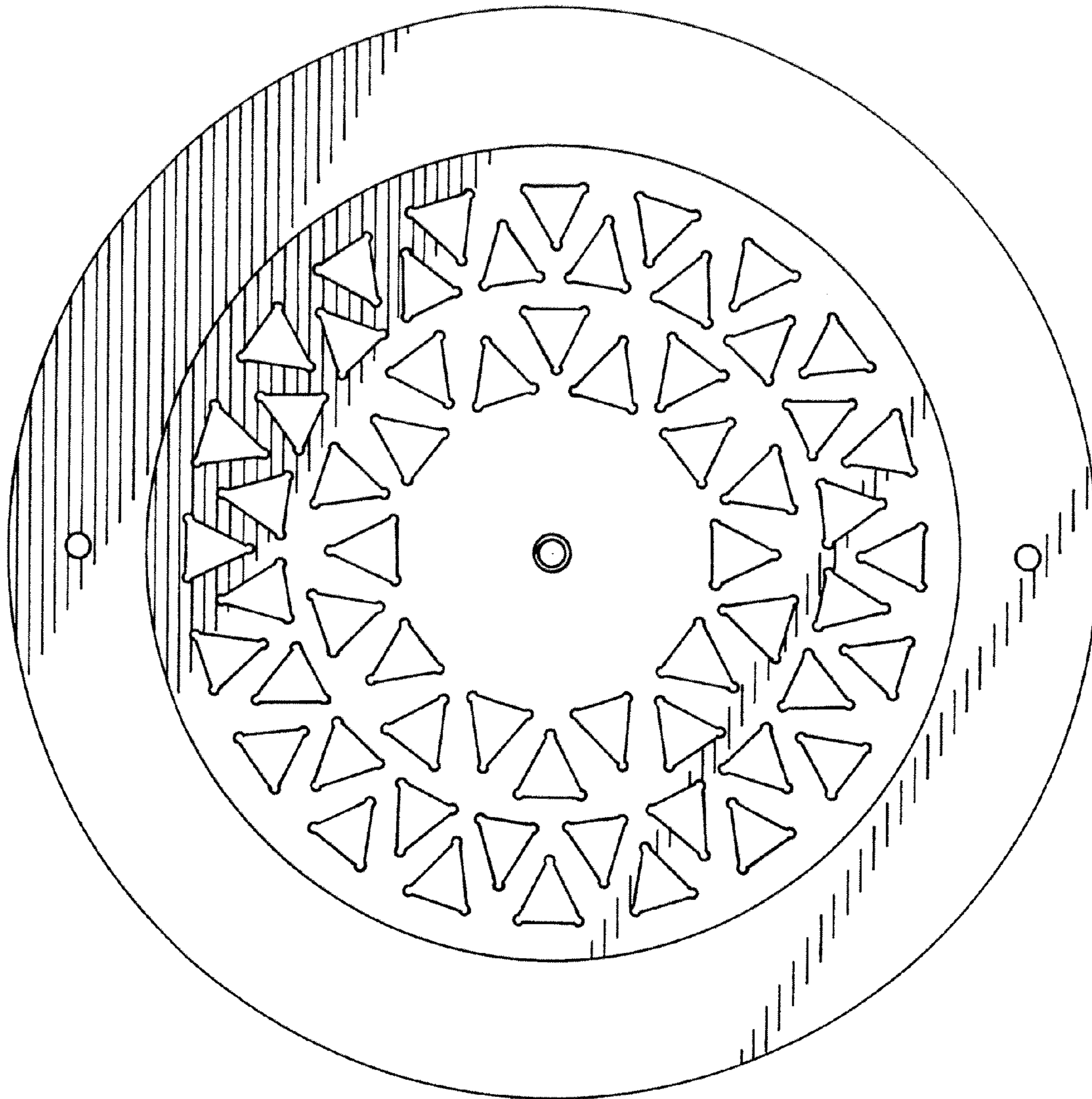


FIG. 2

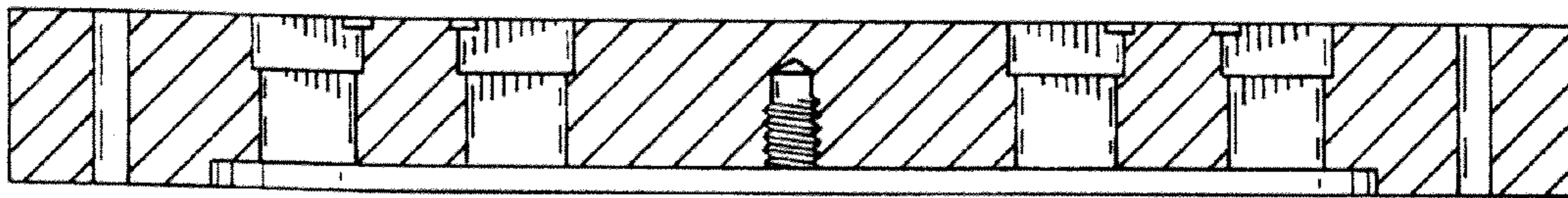


FIG. 3