



US00D664573S

(12) **United States Design Patent**
Brown

(10) **Patent No.:** **US D664,573 S**

(45) **Date of Patent:** **** Jul. 31, 2012**

(54) **RIVET REMOVAL TOOL SET**

(76) Inventor: **Michael C. Brown**, Greensboro, NC
(US)

(**) Term: **14 Years**

(21) Appl. No.: **29/413,483**

(22) Filed: **Feb. 16, 2012**

(51) **LOC (9) Cl.** **15-09**

(52) **U.S. Cl.** **D15/136**

(58) **Field of Classification Search** D15/122,
D15/128; 8/34 B, 54, 243.53, 243, 407.09,
8/524.1, 525.06; 72/455; 227/51, 61, 62
See application file for complete search history.

(56) **References Cited**

U.S. PATENT DOCUMENTS

1,783,445	A *	12/1930	Olson et al.	29/34 B
1,808,041	A *	6/1931	Johnson, Jr. et al.	29/34 B
3,160,046	A *	12/1964	Bredow	83/130
3,268,960	A *	8/1966	Morton	164/257
3,747,193	A *	7/1973	Gregory	29/243.53
3,839,935	A *	10/1974	Daniels	83/104
D253,892	S *	1/1980	Humphreys	D15/128
4,364,256	A *	12/1982	Garlaschi	72/356
D274,186	S *	6/1984	Asai et al.	D15/122
4,545,232	A *	10/1985	Martin et al.	72/356
4,784,591	A *	11/1988	Ackermann	425/116
5,673,839	A *	10/1997	Howard et al.	227/119
6,421,900	B1 *	7/2002	Hunt	29/243.53
6,517,879	B2 *	2/2003	Capodieci	426/238
6,546,609	B1 *	4/2003	Lee et al.	29/243.53
6,564,611	B2 *	5/2003	Harrington et al.	72/481.2
6,964,094	B2 *	11/2005	Kondo	29/798
7,509,721	B1 *	3/2009	Liang	29/243.53
D632,318	S *	2/2011	Sindlinger	D15/128
2001/0039713	A1 *	11/2001	Speller, Jr. et al.	29/525.06
2003/0121133	A1 *	7/2003	Yagawa	29/243.53

2005/0050706	A1 *	3/2005	Motzno	29/426.5
2006/0053643	A1 *	3/2006	Adrian	33/286
2006/0090320	A1 *	5/2006	Matthews et al.	29/407.09
2008/0178454	A1 *	7/2008	Morris et al.	29/432.2
2011/0126396	A1 *	6/2011	Clarke et al.	29/525.06

* cited by examiner

Primary Examiner — Patricia Palasik

(74) *Attorney, Agent, or Firm* — Walter L. Beavers; Blake P. Hurt

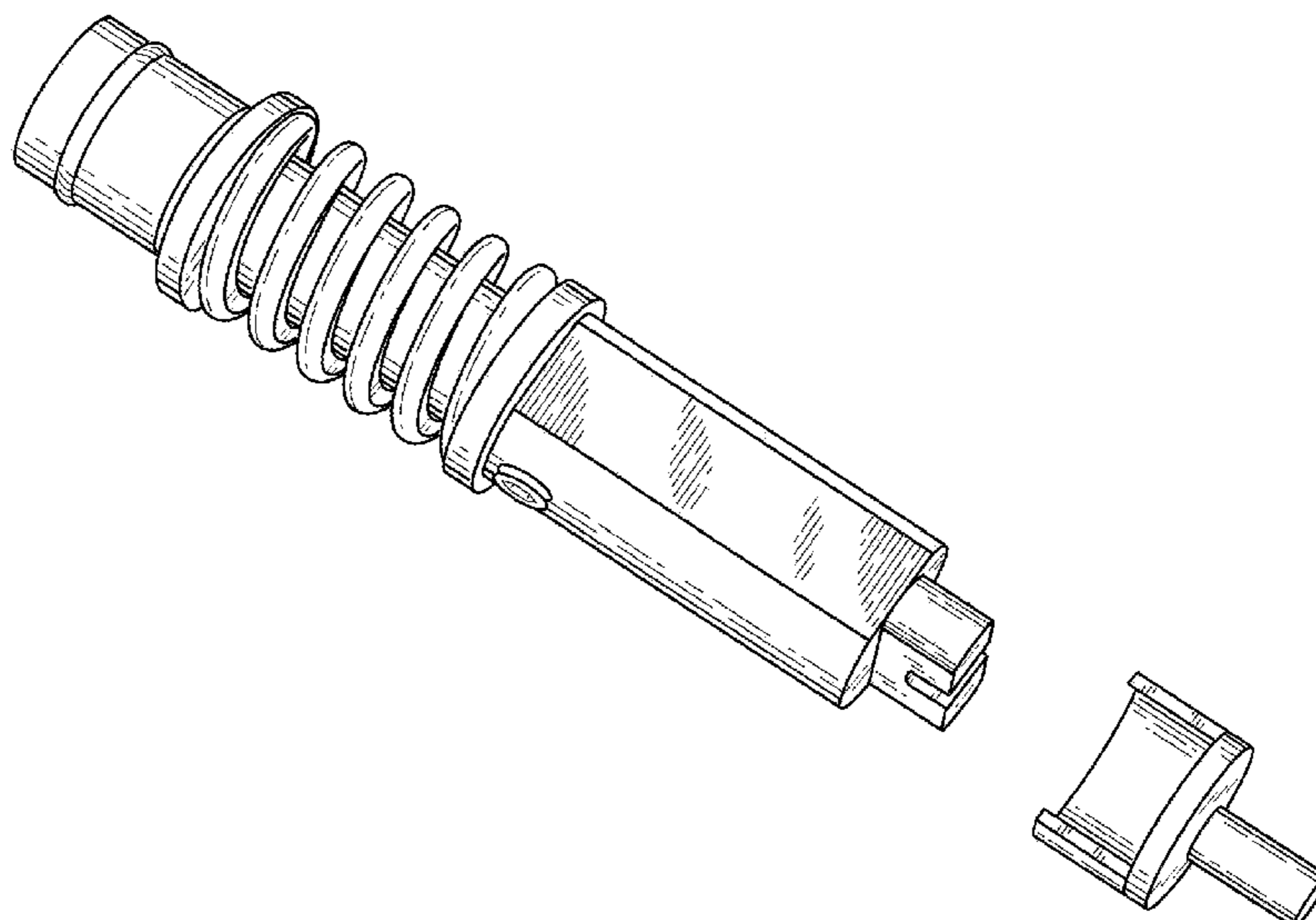
(57) **CLAIM**

The ornamental design for a rivet removal tool set, as shown and described.

DESCRIPTION

FIG. 1 is a perspective view of a rivet removal tool set showing my new design;
 FIG. 2 is a top plan view thereof;
 FIG. 3 is a bottom plan view thereof;
 FIG. 4 is a front elevational view thereof;
 FIG. 5 is a rear elevational view thereof;
 FIG. 6 is an end plan view thereof as along lines 6-6 of FIG. 2;
 FIG. 7 is an end plan view thereof as along lines 7-7 of FIG. 2;
 FIG. 8 is an end plan view thereof as along lines 8-8 of FIG. 2;
 FIG. 9 is an end plan view thereof as along lines 9-9 of FIG. 2; and,
 FIG. 10 shows the rivet removal tool set of the invention in a typical manual press shown in dashed lines for the purpose of illustrating environment which forms no part of the claimed design.

1 Claim, 3 Drawing Sheets



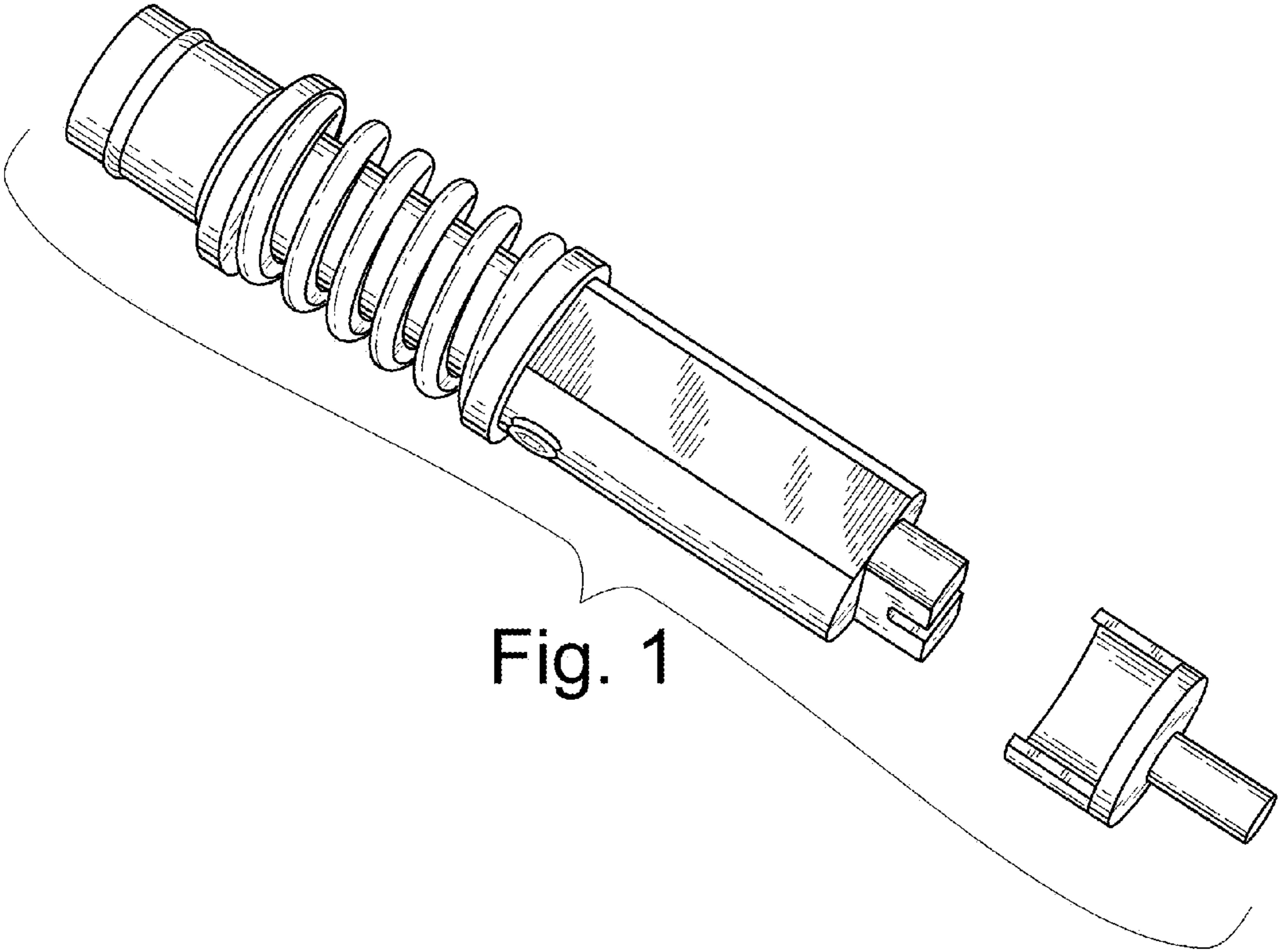


Fig. 1

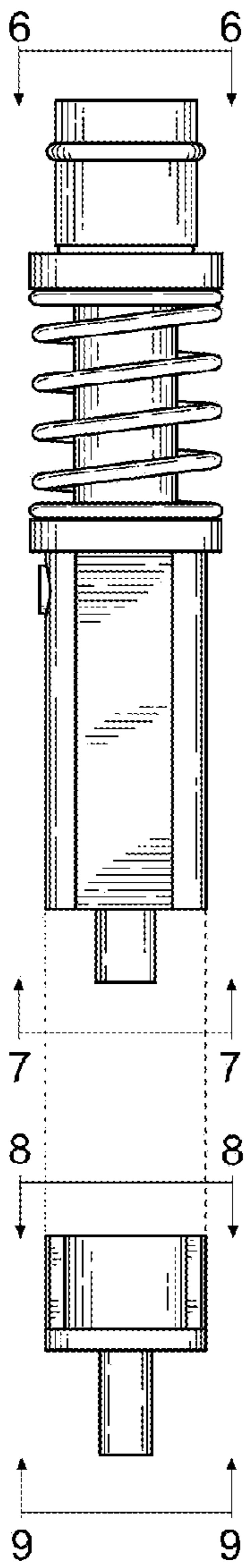


Fig. 2

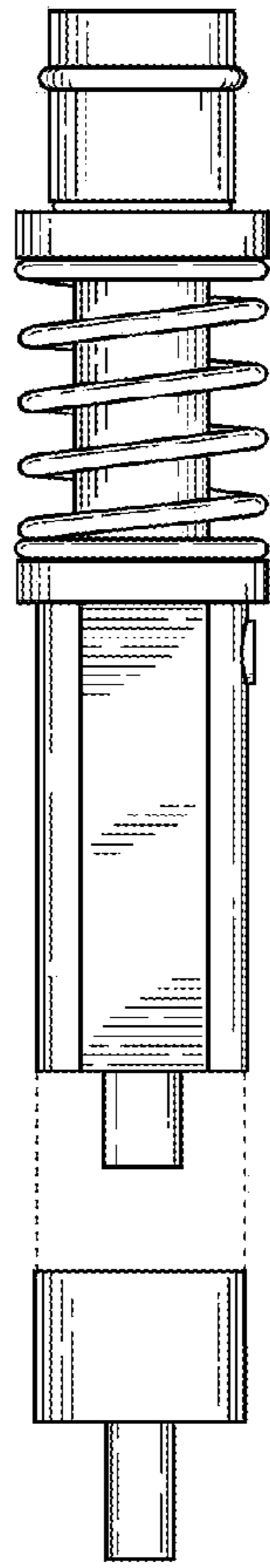


Fig. 3

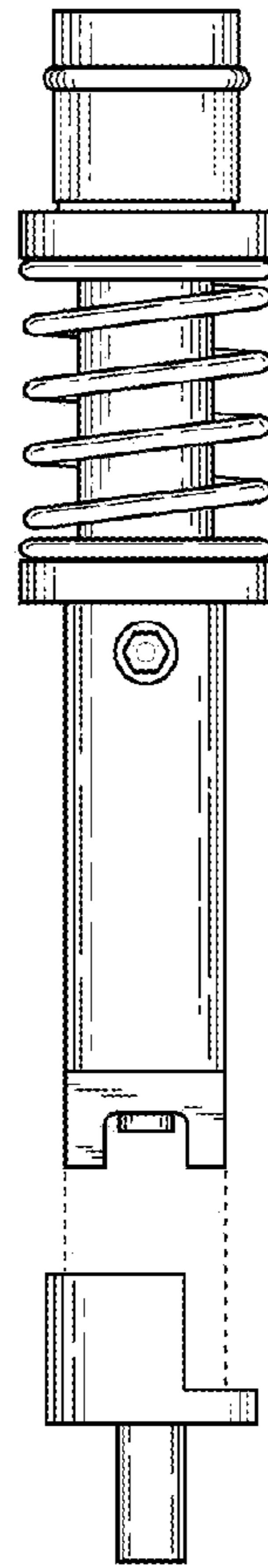


Fig. 4

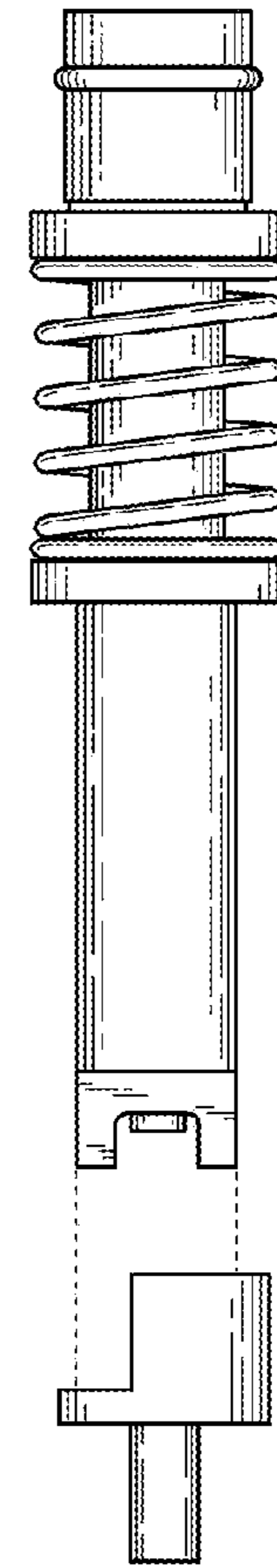


Fig. 5

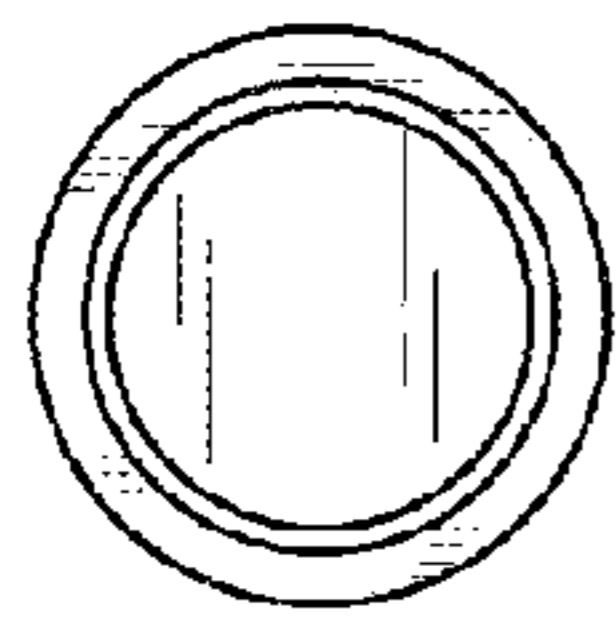


Fig. 6

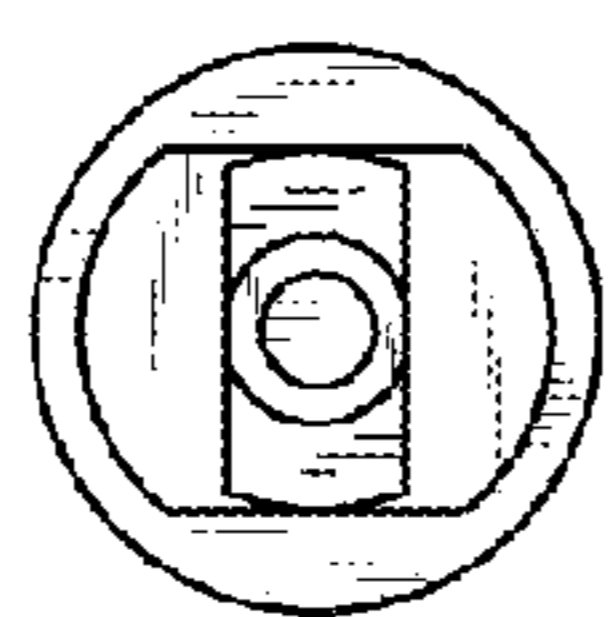


Fig. 7

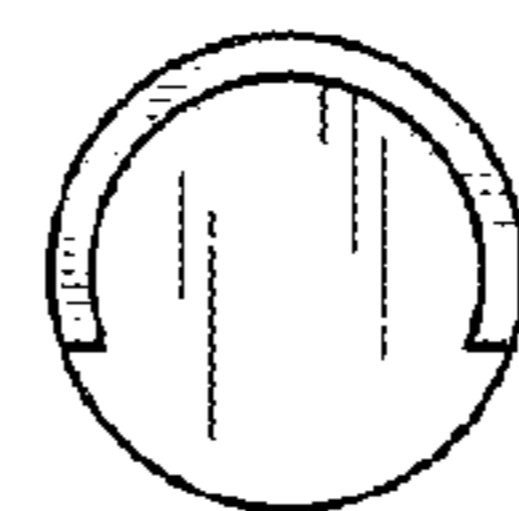


Fig. 8

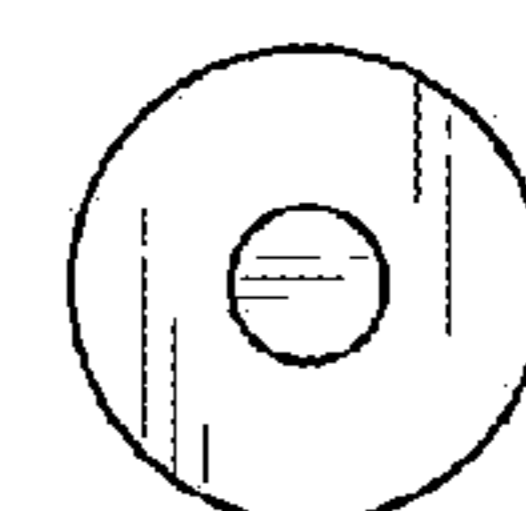


Fig. 9

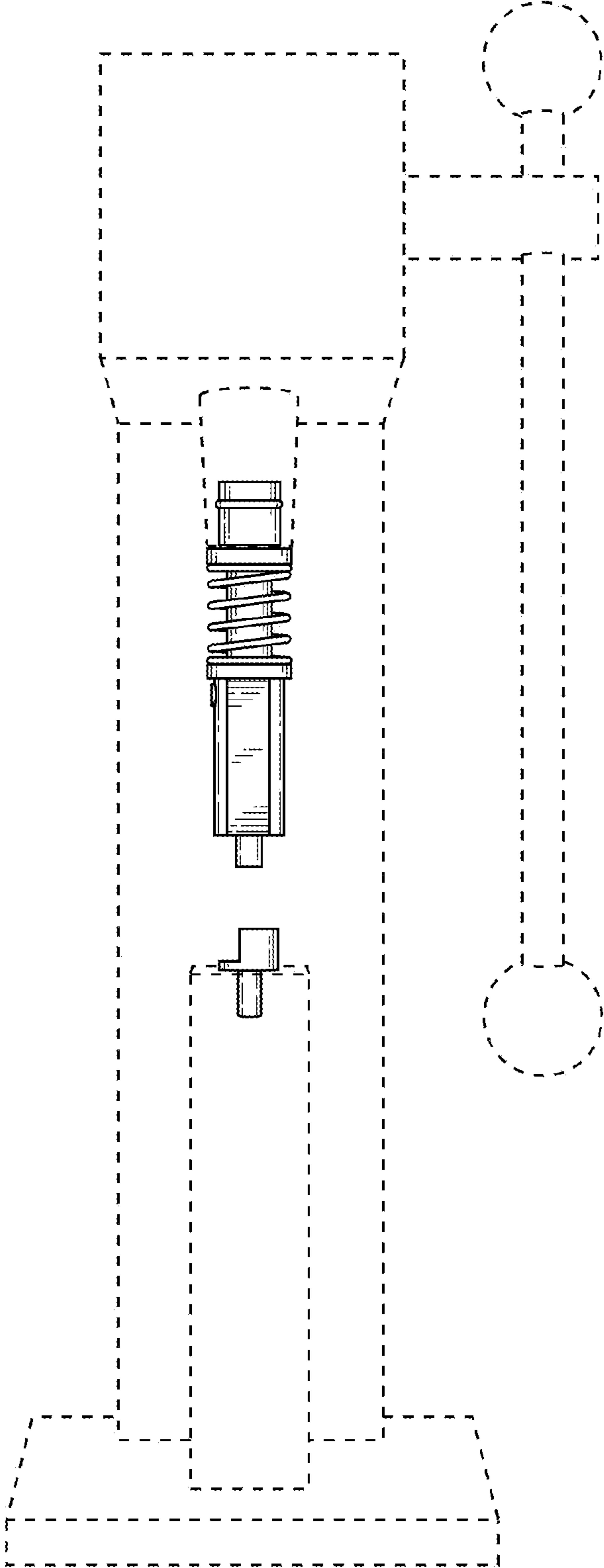


Fig. 10