



US00D664572S

(12) **United States Design Patent**
Zhou et al.

(10) **Patent No.:** **US D664,572 S**
(45) **Date of Patent:** **** Jul. 31, 2012**

(54) **MITER SAW**

(75) Inventors: **Haibo Zhou**, Nanjing (CN); **Kesong Xu**,
Ningbo (CN); **Yun Huang**, Nanjing
(CN)

(73) Assignee: **Chervon (HK) Limited**, Wanchai (HK)

(**) Term: **14 Years**

(21) Appl. No.: **29/409,379**

(22) Filed: **Dec. 22, 2011**

(30) **Foreign Application Priority Data**

Jul. 5, 2011 (CN) 2011 3 0210431

(51) **LOC (9) Cl.** **15-09**

(52) **U.S. Cl.** **D15/133**

(58) **Field of Classification Search** D8/61,
D8/64-69; D15/133, 134; 30/377-378,
30/388-391; 83/377, 378, 388, 397, 468.3,
83/469

See application file for complete search history.

(56) **References Cited**

U.S. PATENT DOCUMENTS

D421,267 S * 2/2000 Price et al. D15/133
D459,373 S * 6/2002 Hollinger et al. D15/133

D520,033 S * 5/2006 Firth D15/133
D535,670 S * 1/2007 Firth D15/133
D547,338 S * 7/2007 Firth D15/133
D608,375 S * 1/2010 Kokawa et al. D15/133
D623,204 S * 9/2010 Weusthof D15/133
D626,159 S * 10/2010 Jebb D15/133
D654,102 S * 2/2012 Bindhammer D15/133

* cited by examiner

Primary Examiner — Patricia Palasik

(74) *Attorney, Agent, or Firm* — Greenberg Traurig, LLP

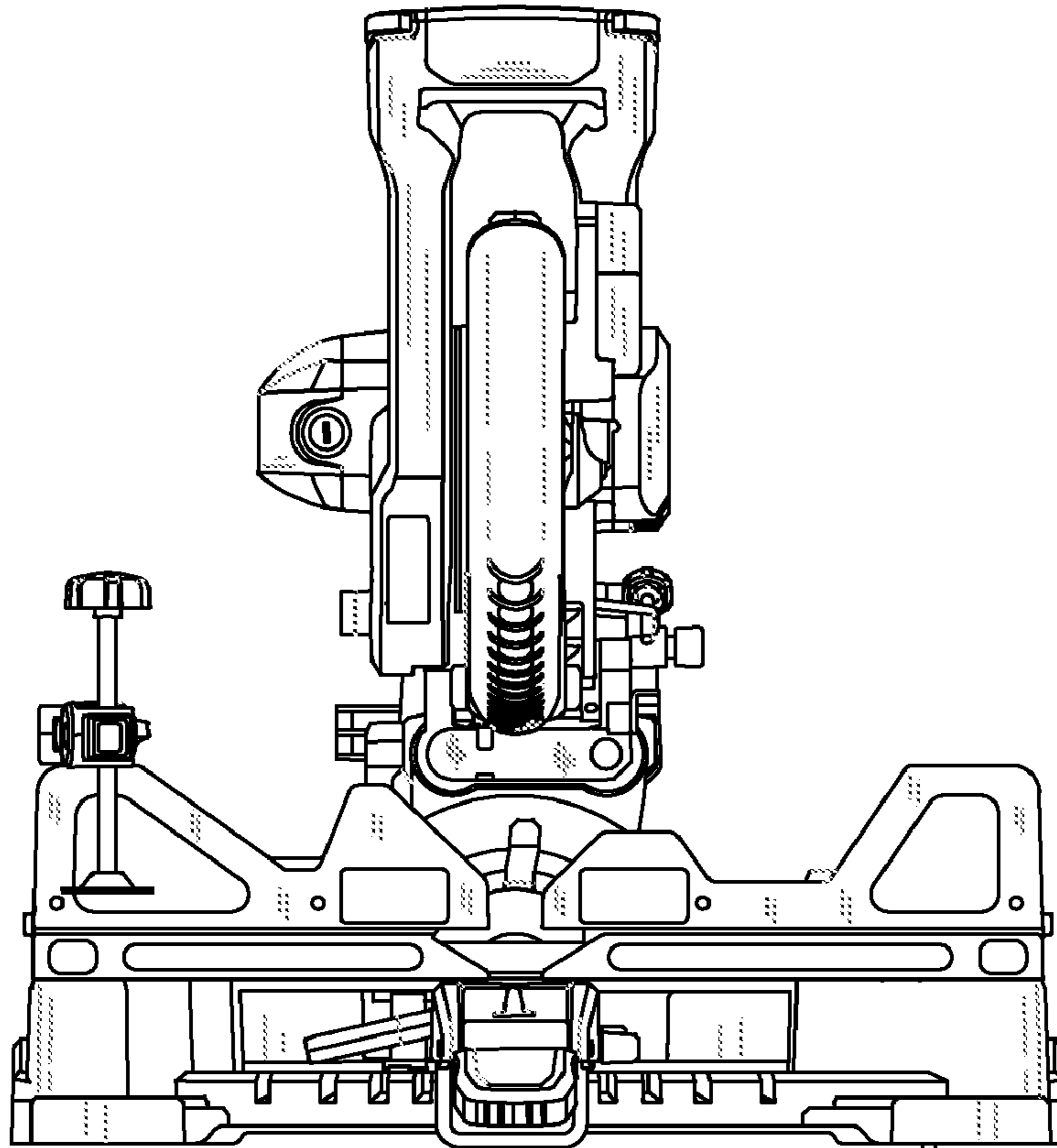
(57) **CLAIM**

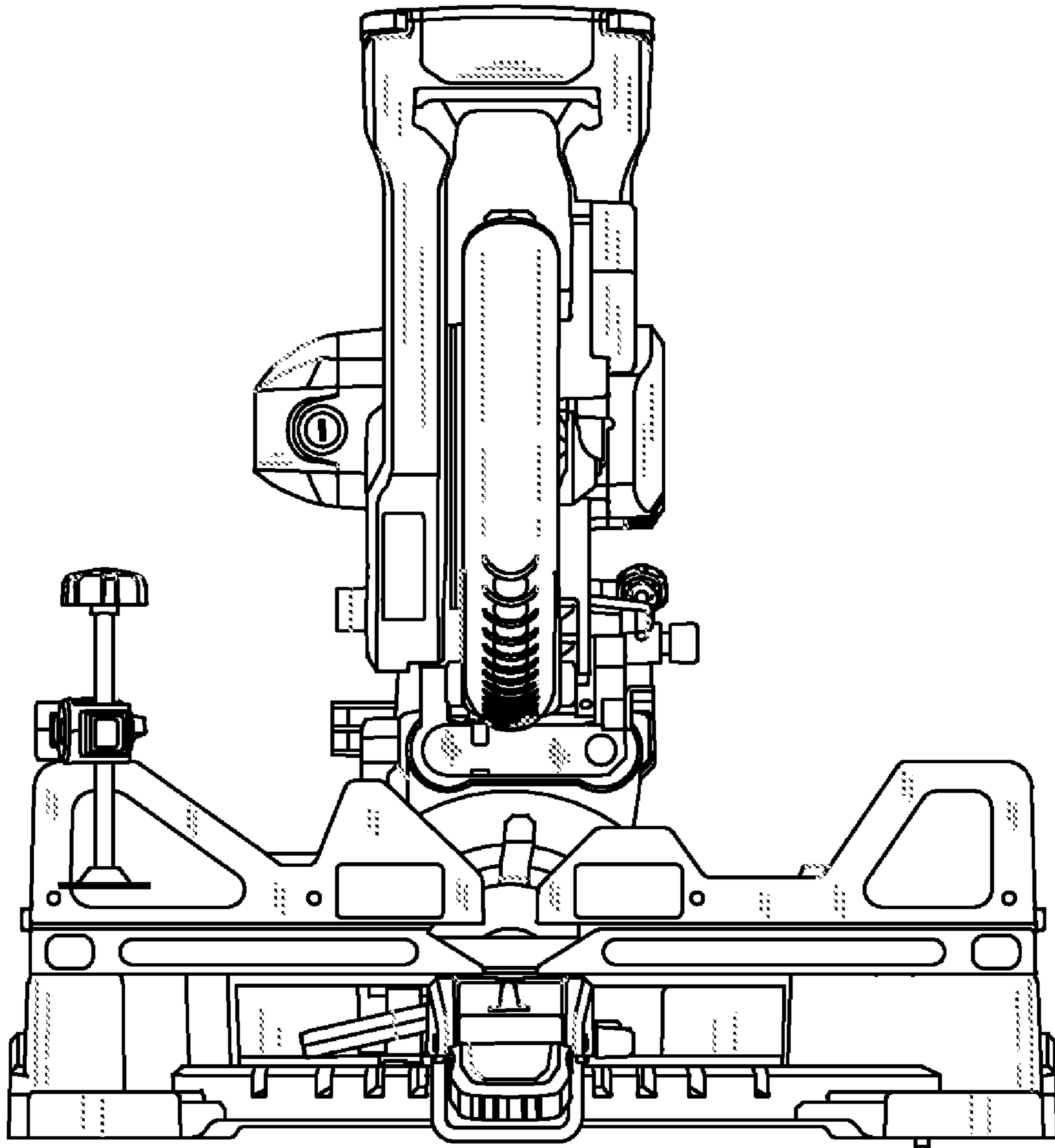
What is claimed is the ornamental design for a miter saw, as shown and described.

DESCRIPTION

FIG. 1 is front elevational view of a miter saw showing our new design;
FIG. 2 is a rear elevational view of the miter saw shown in FIG. 1;
FIG. 3 is a right side elevational view of the miter saw shown in FIG. 1;
FIG. 4 is a left side elevational view of the miter saw shown in FIG. 1;
FIG. 5 is a top plan view of the miter saw shown in FIG. 1 and;
FIG. 6 is a perspective view of the miter saw shown in FIG. 1.

1 Claim, 6 Drawing Sheets





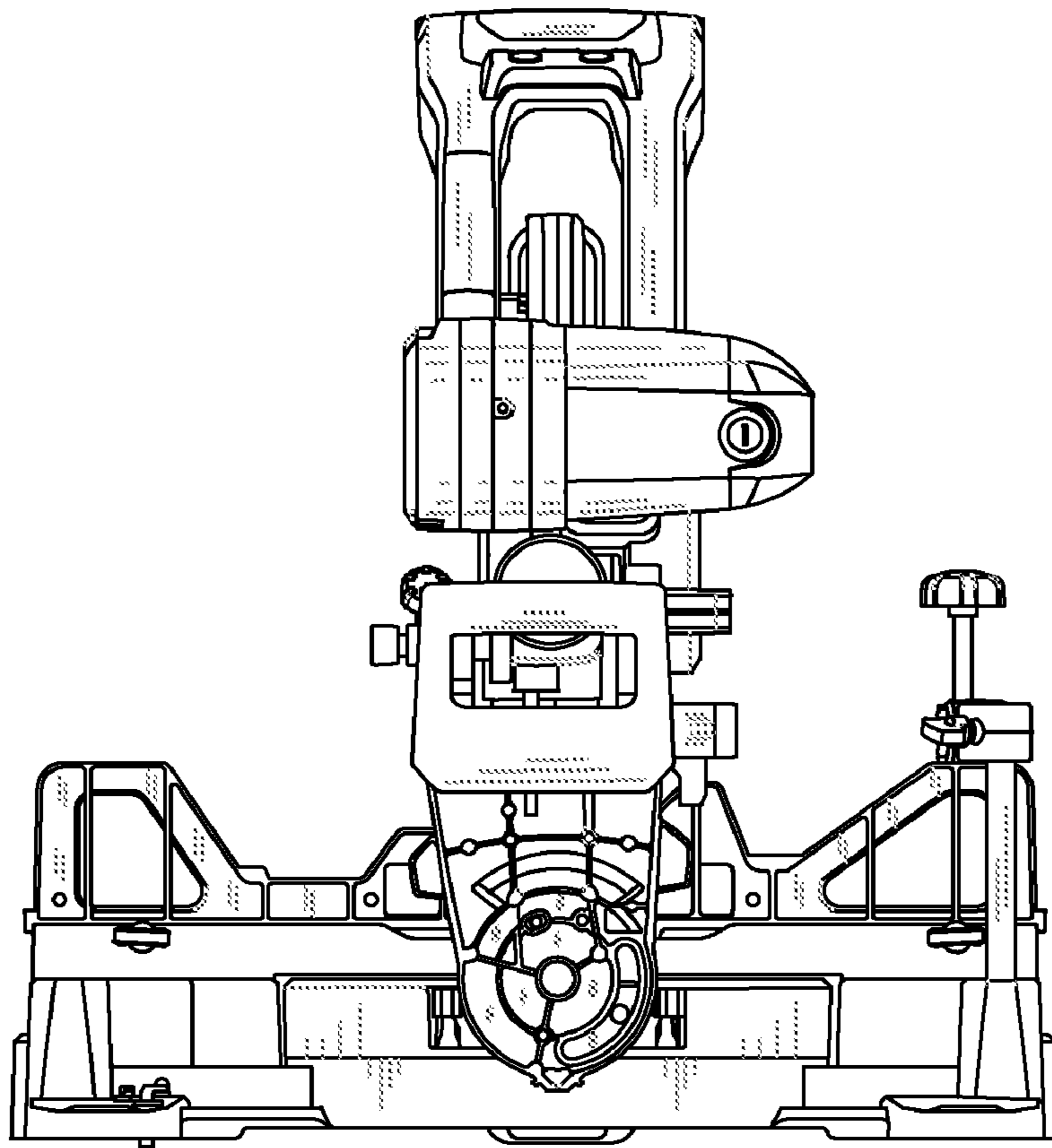


Fig. 2

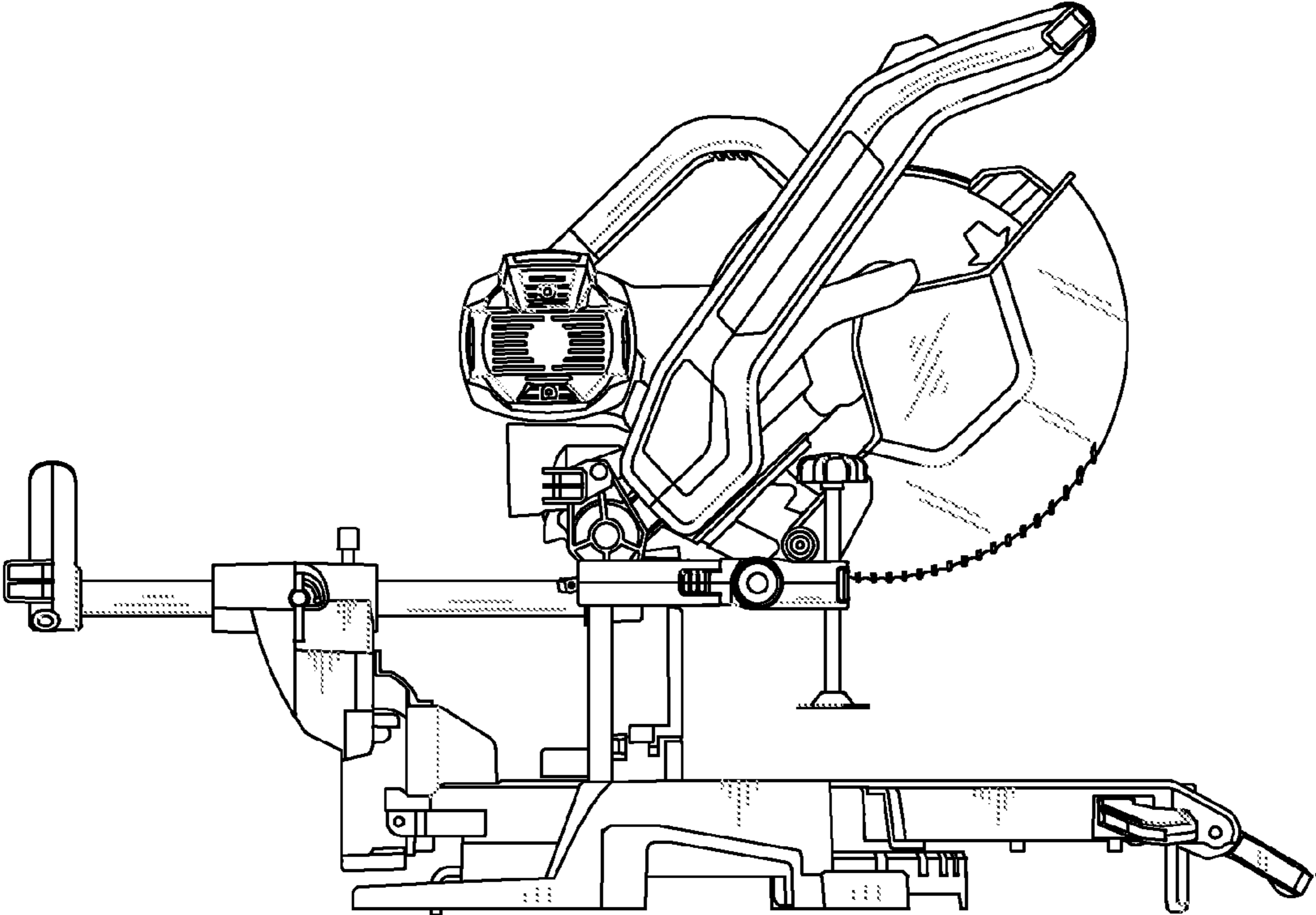


Fig. 3

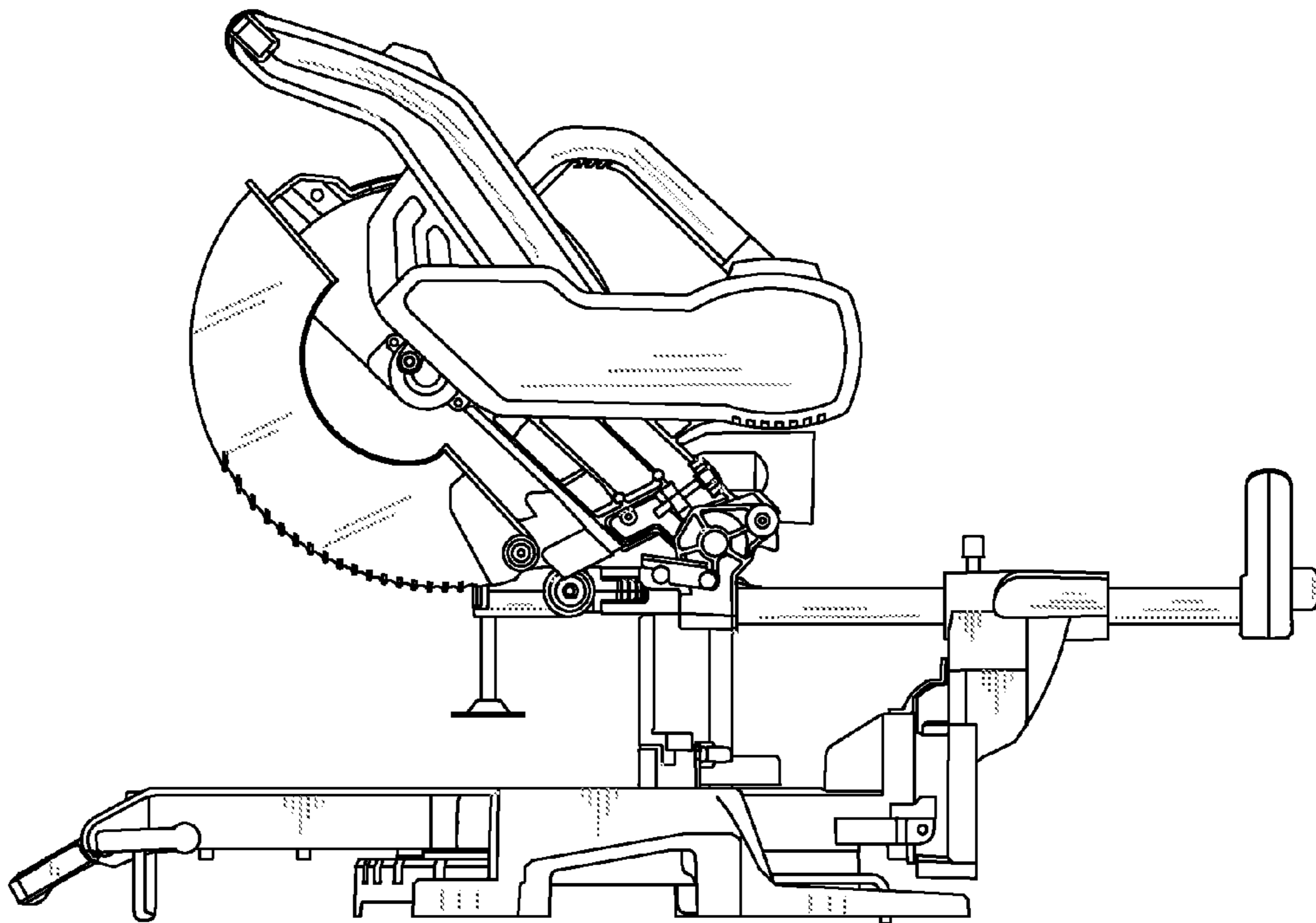


Fig. 4

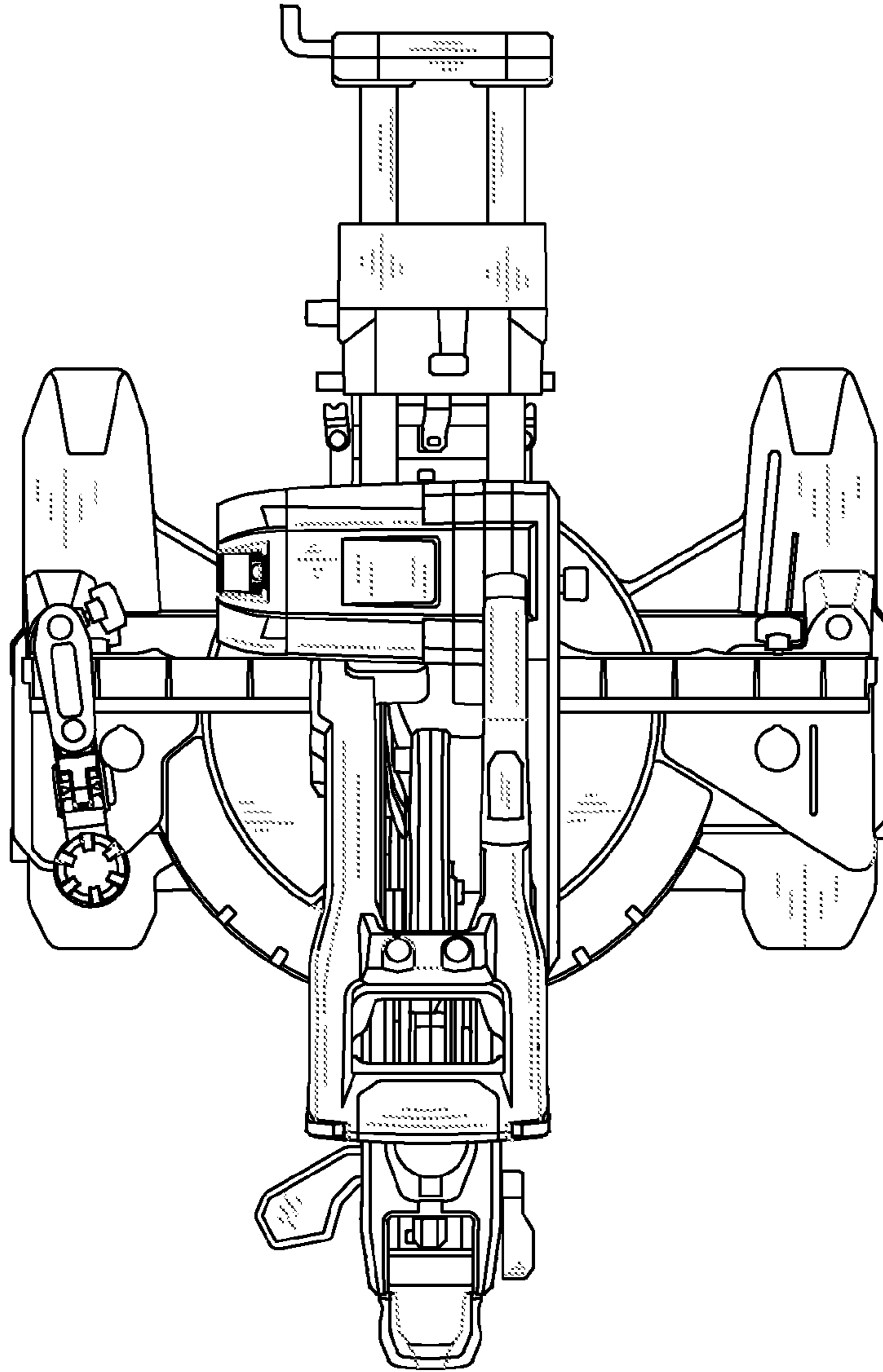


Fig. 5

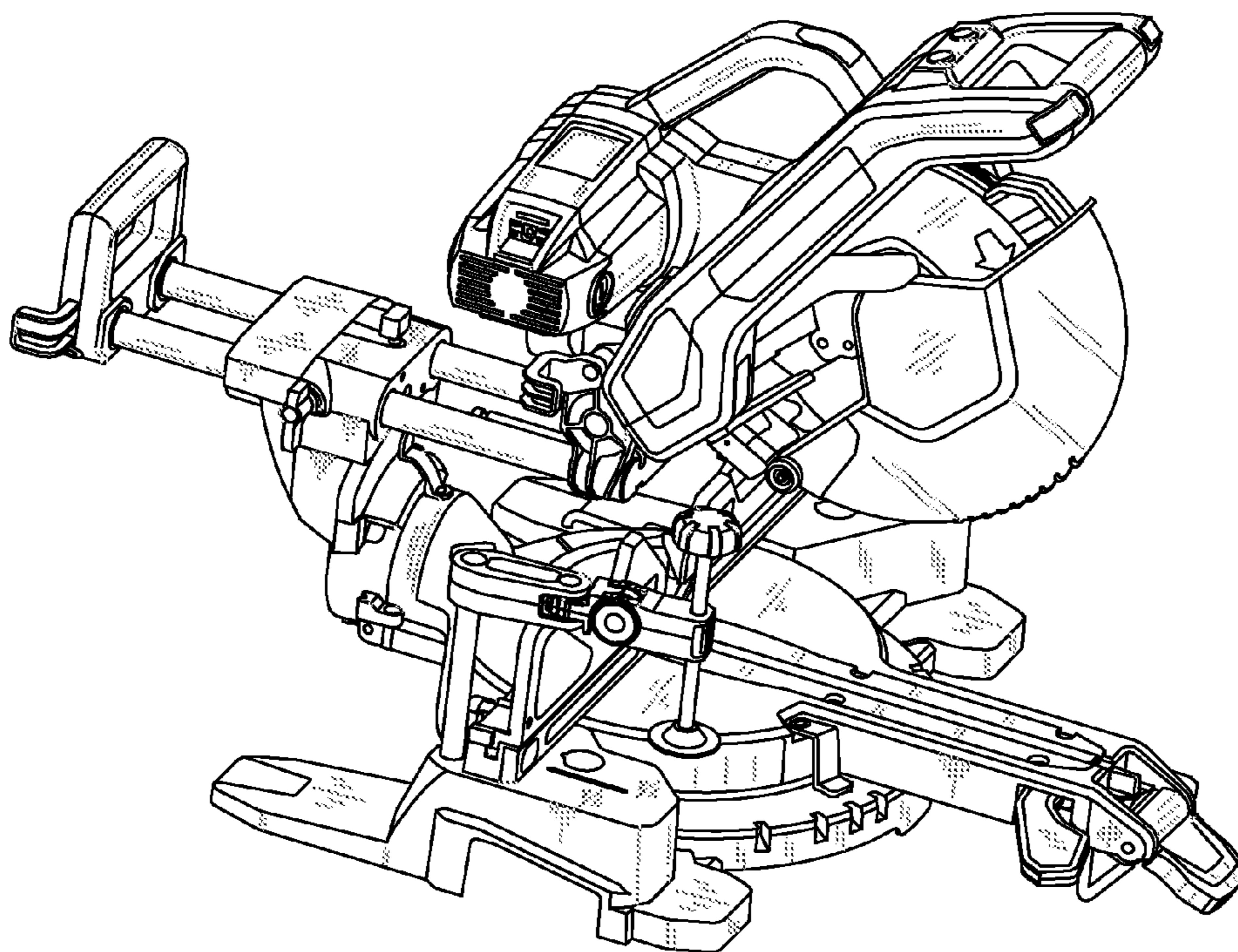


Fig. 6