



US00D664569S

(12) **United States Design Patent**
Rupp

(10) **Patent No.:** **US D664,569 S**

(45) **Date of Patent:** **** Jul. 31, 2012**

(54) **FRONT WEIGHT FOR AN AGRICULTURAL TRACTOR**

(75) Inventor: **Harald Rupp**, Worms (DE)

(73) Assignee: **Deere & Company**, Moline, IL (US)

(**) Term: **14 Years**

(21) Appl. No.: **29/410,900**

(22) Filed: **Jan. 13, 2012**

(30) **Foreign Application Priority Data**

Jul. 15, 2011 (EM) 001692100

(51) **LOC (9) Cl.** **15-03**

(52) **U.S. Cl.** **D15/28**

(58) **Field of Classification Search** D15/10,
D15/17, 28, 22-27, 33; D12/410, 169; 414/719,
414/673; 172/611; 212/195; 280/758, 759,
280/760

See application file for complete search history.

(56) **References Cited**

U.S. PATENT DOCUMENTS

2,701,728	A *	2/1955	Miller	280/759
D208,300	S *	8/1967	Lokken et al.	D15/28
3,492,019	A *	1/1970	Folkerts	280/759
3,944,252	A *	3/1976	Barth	280/759
4,377,300	A *	3/1983	Old	280/758
4,537,423	A *	8/1985	Nau et al.	280/759
5,141,195	A *	8/1992	Toda et al.	248/364
5,255,931	A *	10/1993	Hurlburt	280/93.504
5,690,359	A *	11/1997	Teich	280/759
5,690,360	A *	11/1997	Teich	280/759

D393,268	S *	4/1998	Tachinou et al.	D15/28
5,833,268	A *	11/1998	Aldrovandi	280/759
D436,969	S *	1/2001	Moehle et al.	D15/28
D440,236	S *	4/2001	Kraft et al.	D15/28
6,533,319	B1 *	3/2003	Denby et al.	280/759
D549,740	S *	8/2007	Teich	D15/28
D559,279	S *	1/2008	Sakitani et al.	D15/28
7,513,529	B2 *	4/2009	Defrancq	280/759
7,618,062	B2 *	11/2009	Hamm et al.	280/759
D637,628	S *	5/2011	Rupp	D15/28
2002/0014506	A1 *	2/2002	Teich	224/441
2005/0111954	A1 *	5/2005	Nakajima et al.	414/719
2006/0103125	A1 *	5/2006	Yamamoto	280/760

* cited by examiner

Primary Examiner — Mark Goodwin

(57) **CLAIM**

The ornamental design for a front weight for an agricultural tractor, as shown and described.

DESCRIPTION

FIG. 1 is a top front perspective view of the front weight for an agricultural tractor showing my new design.

FIG. 2 is a bottom rear perspective view thereof.

FIG. 3 is a front view thereof.

FIG. 4 is a rear view thereof.

FIG. 5 is a side view thereof.

FIG. 6 is an opposite side view thereof.

FIG. 7 is a top plan view thereof; and,

FIG. 8 is a bottom plan view thereof.

The broken line showing of various surface features is included for the purpose of illustrating portions of the front weight for an agricultural tractor and forms no part of the claimed design.

1 Claim, 8 Drawing Sheets

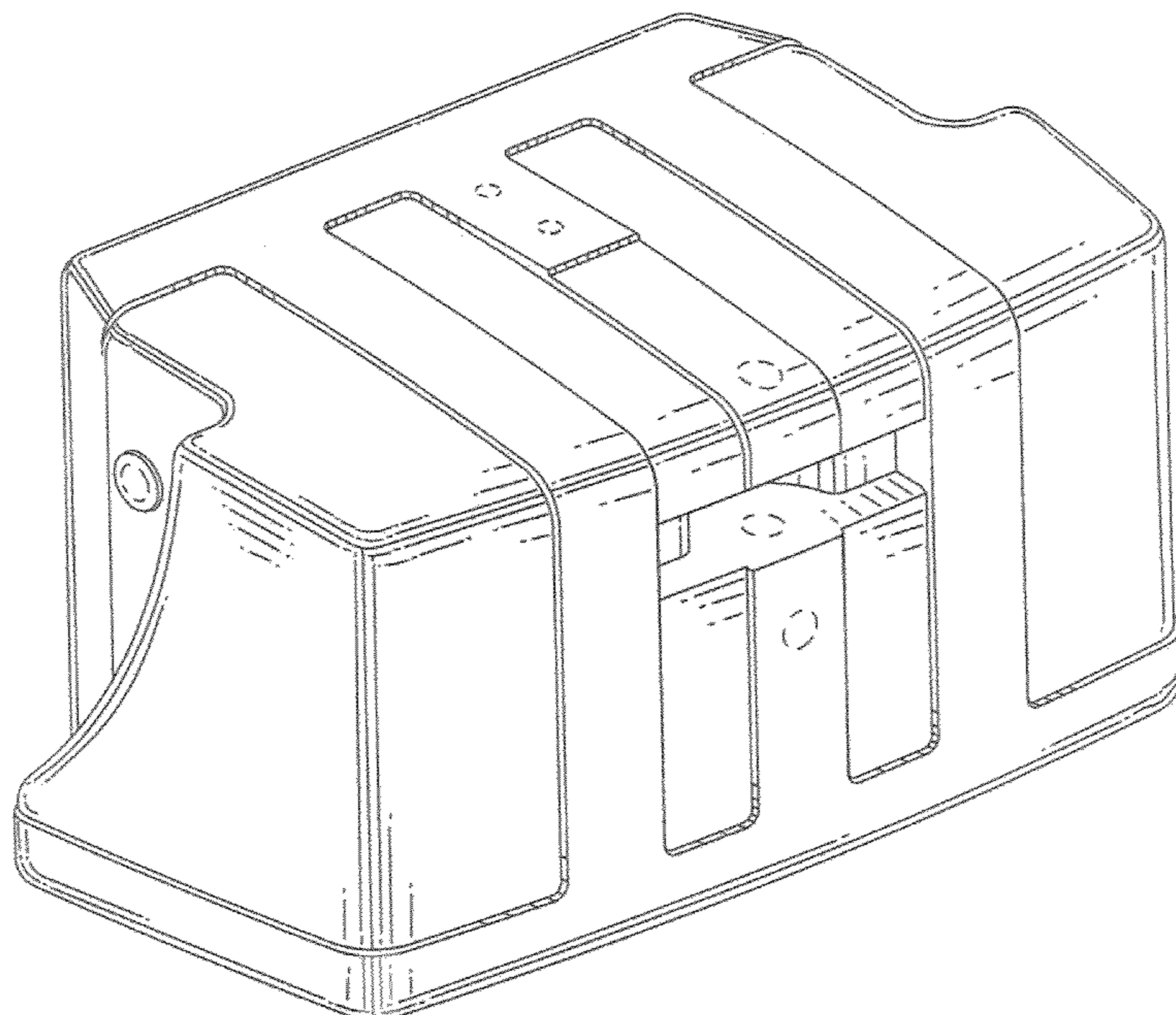


FIG. 1

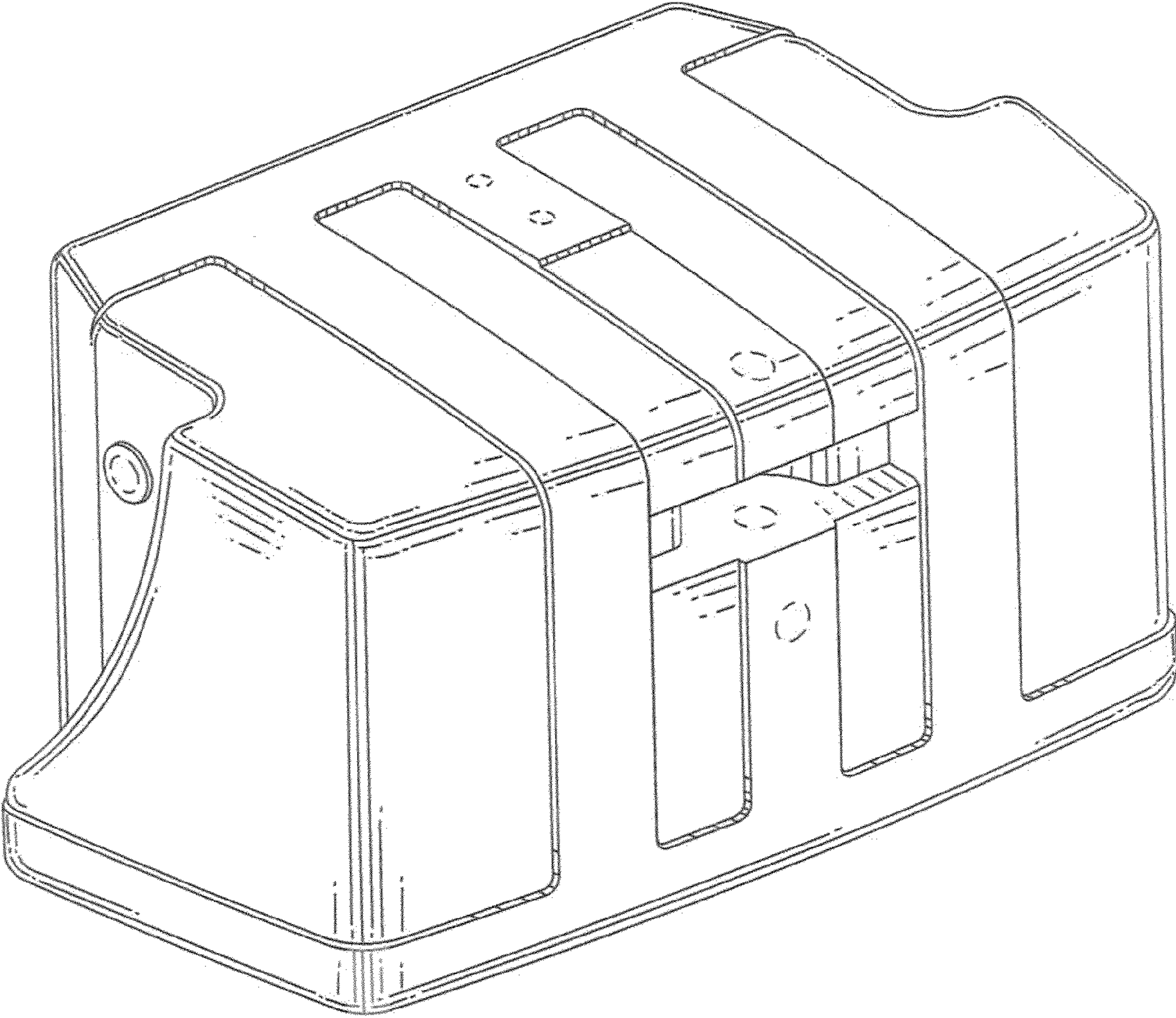


FIG. 2

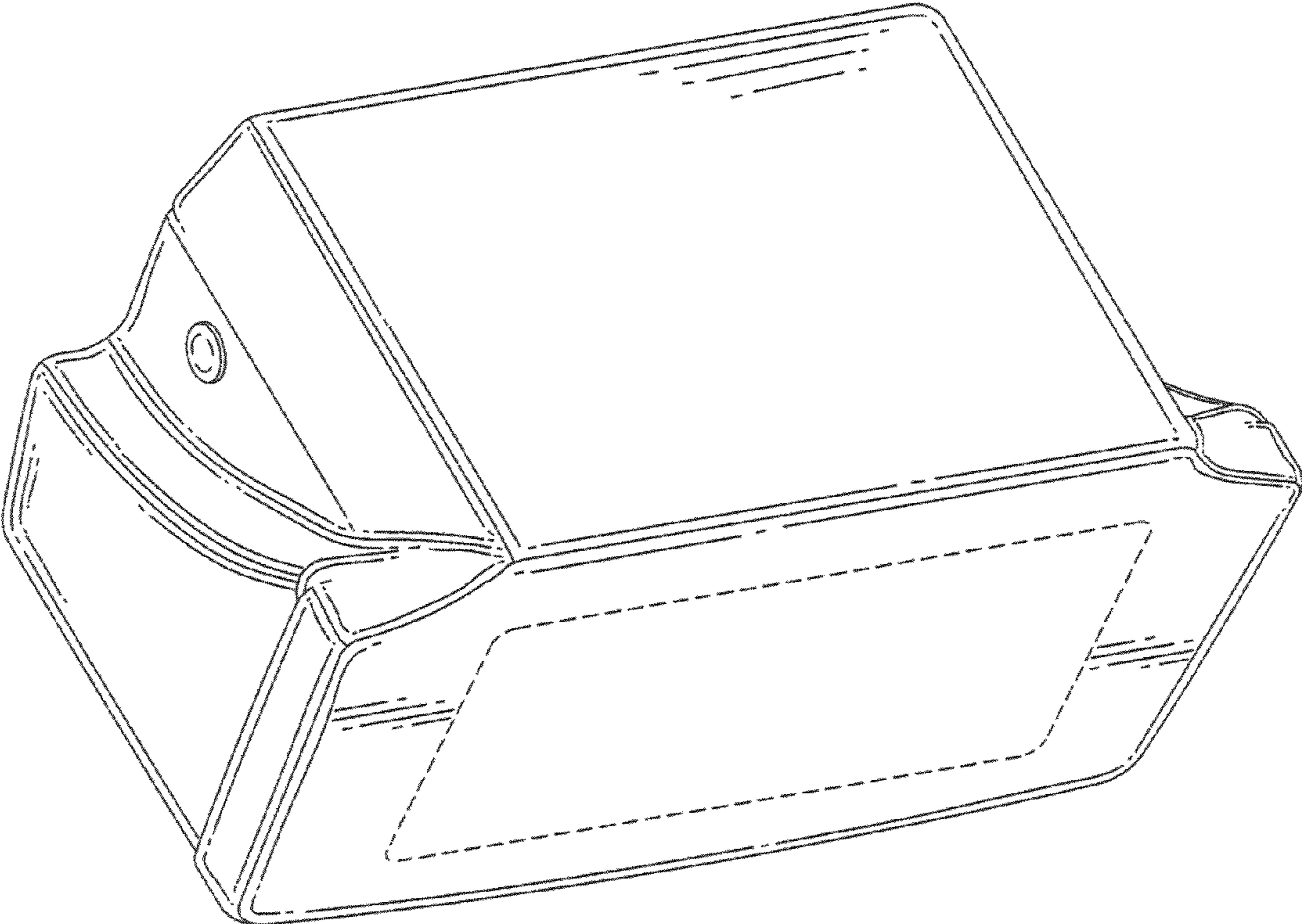


FIG. 3

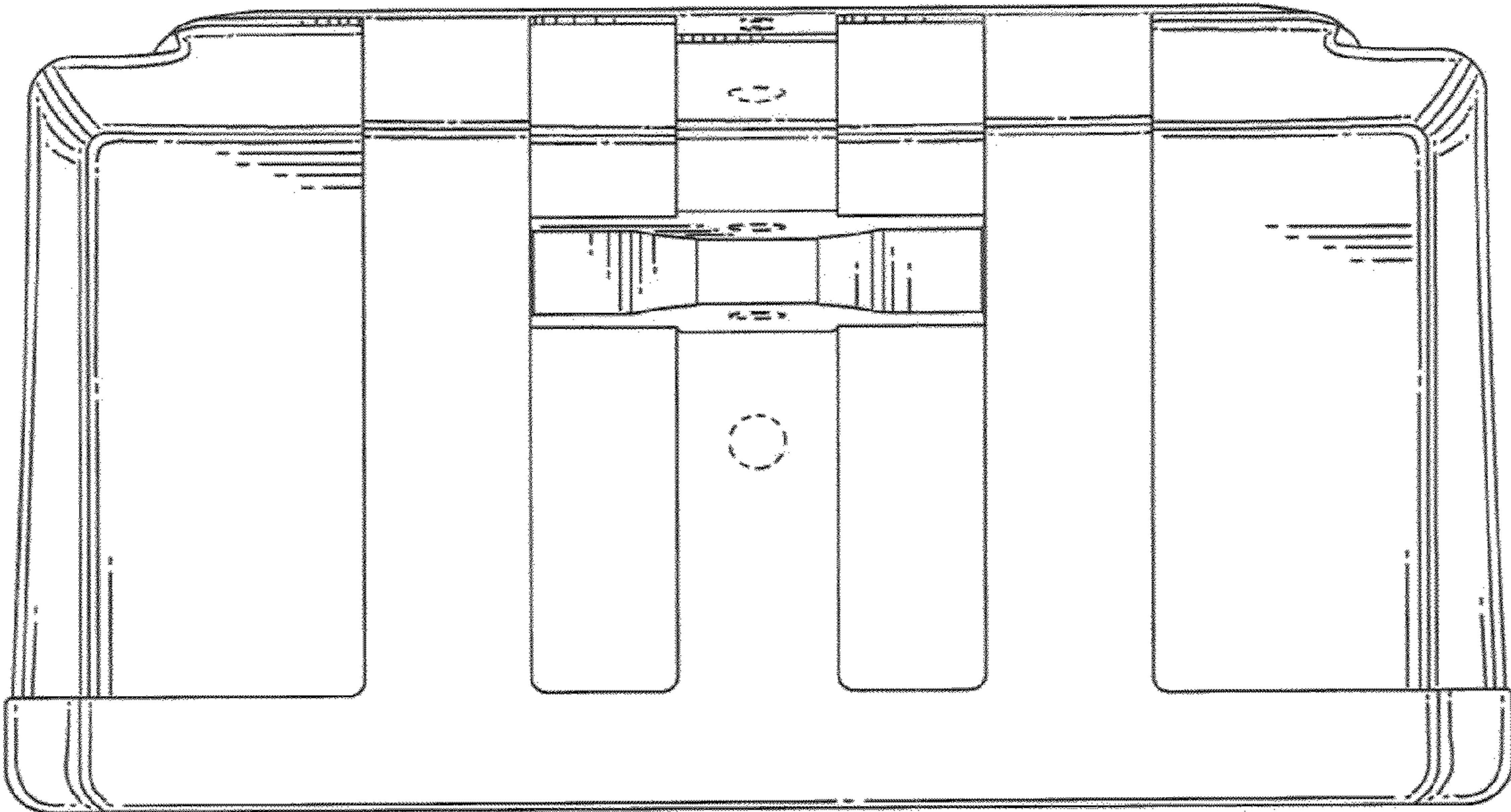


FIG. 4

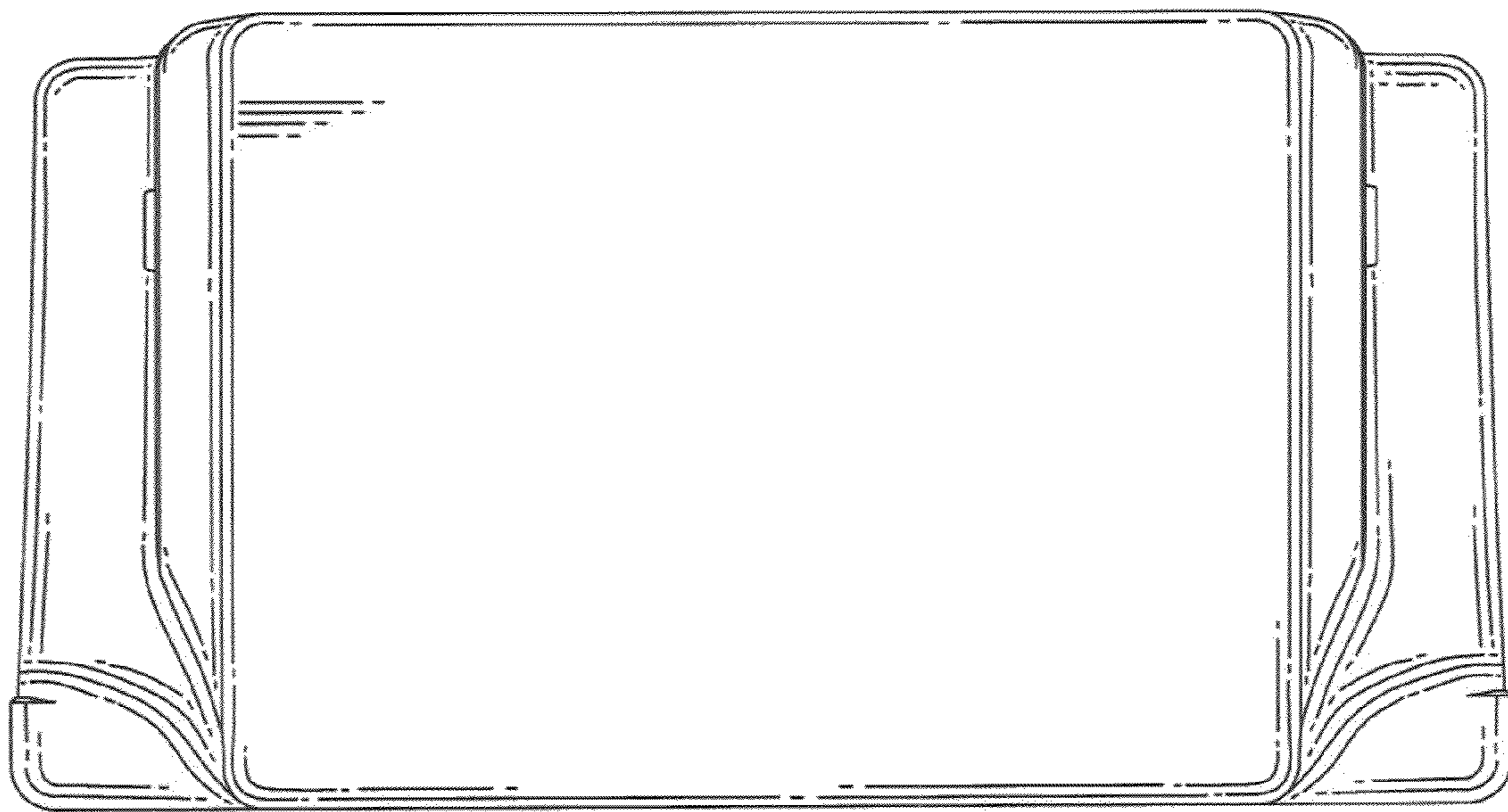


FIG. 5

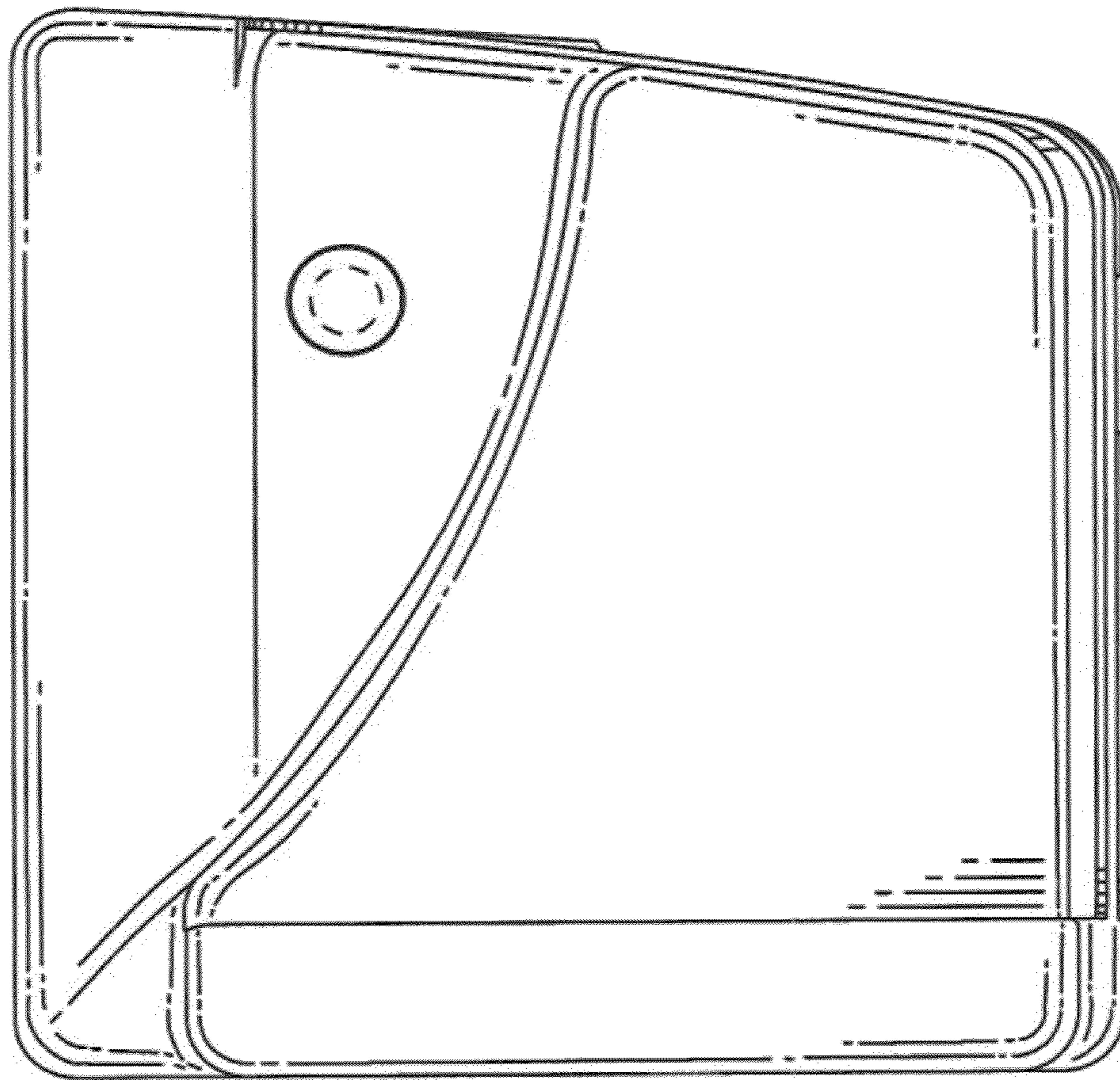


FIG. 6

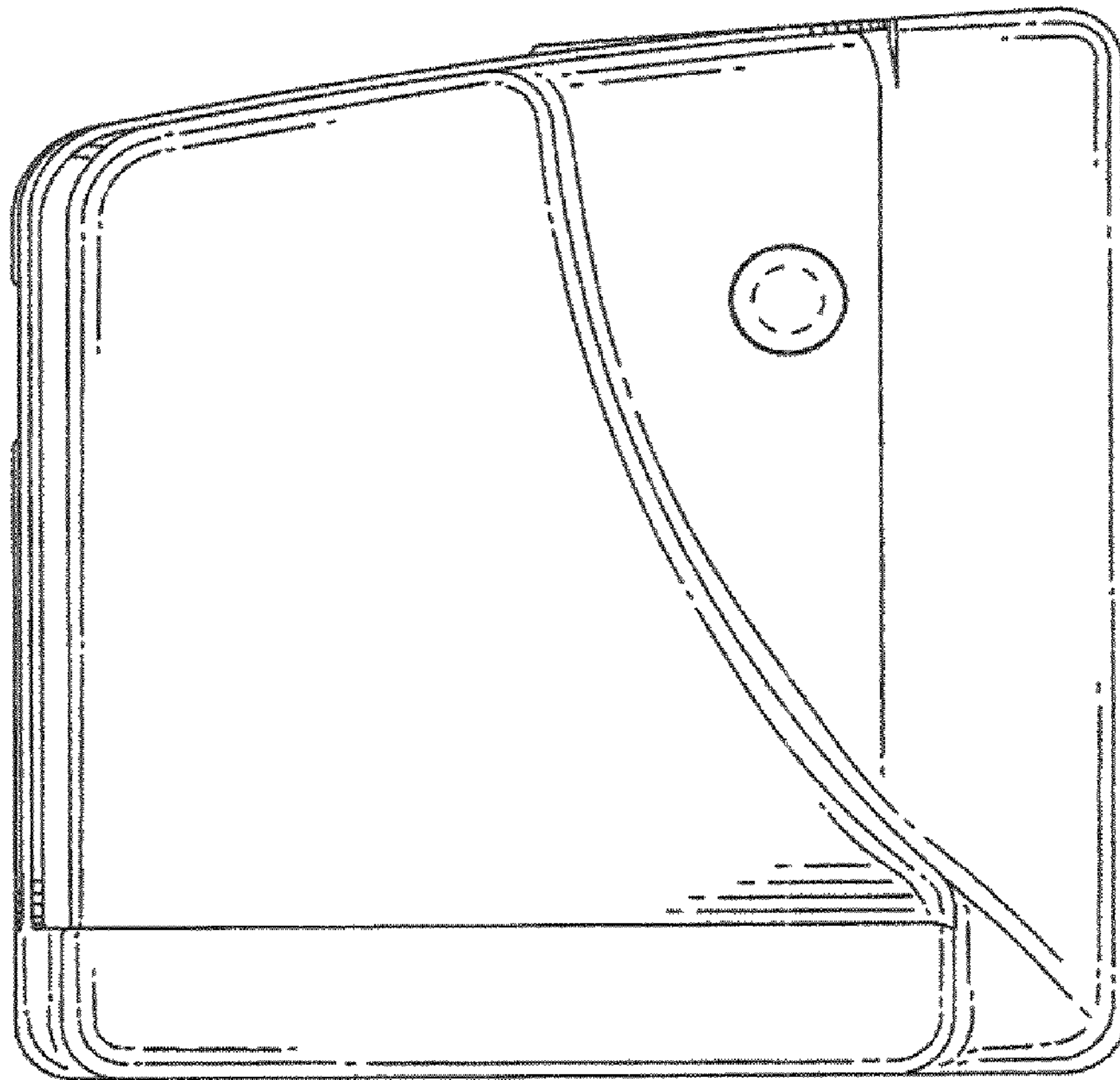


FIG. 7

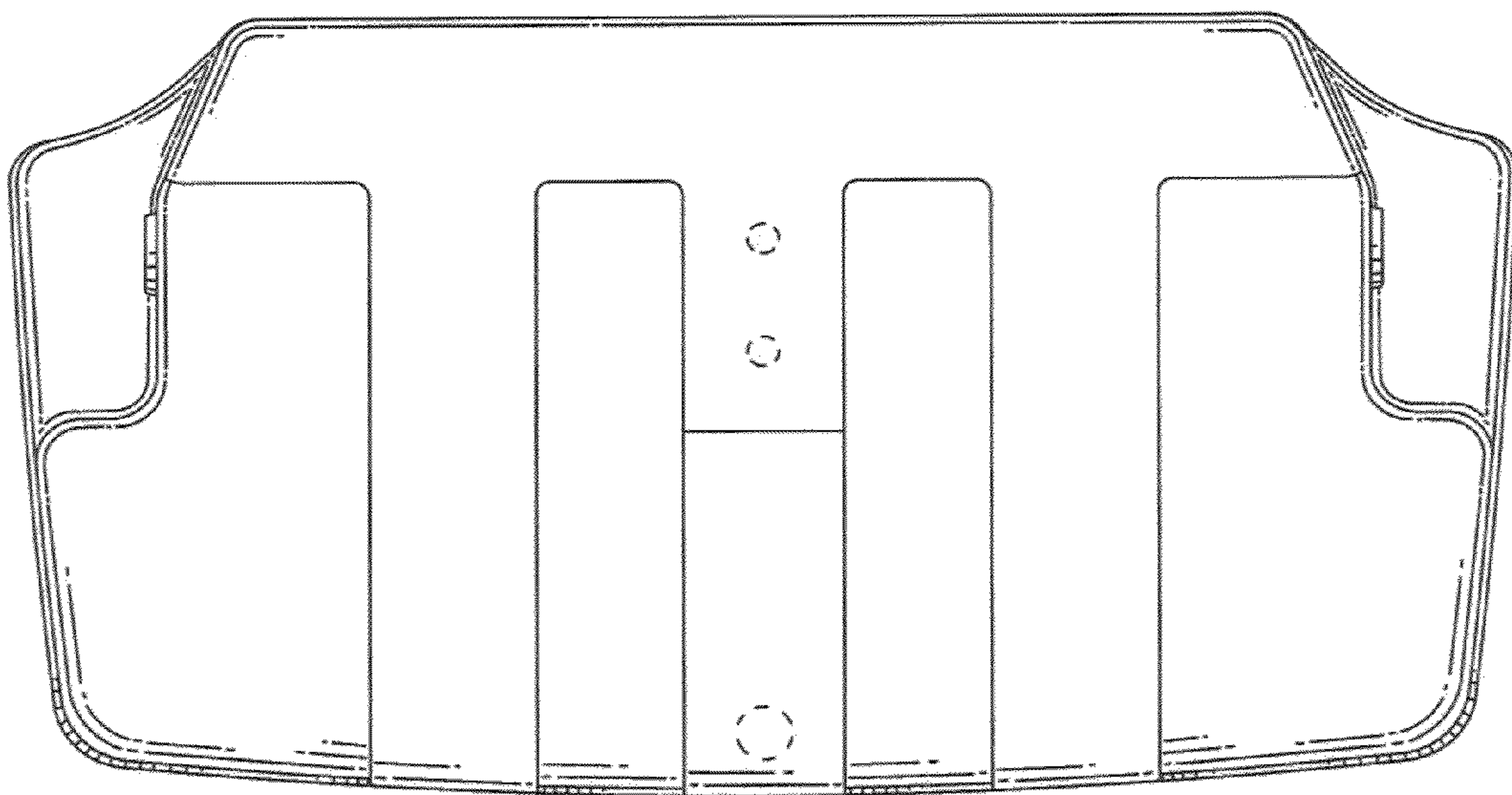


FIG. 8

