

US00D664566S

(12) **United States Design Patent**
Drenth

(10) **Patent No.:** **US D664,566 S**
(45) **Date of Patent:** **** Jul. 31, 2012**

(54) **CORE BARREL RETRACTING CASE**
(75) Inventor: **Christopher L. Drenth**, Draper, UT
(US)
(73) Assignee: **Longyear TM, Inc**, South Jordan, UT
(US)

3,667,558 A 6/1972 Lambot
3,977,482 A 8/1976 Reed et al.
4,418,770 A 12/1983 Lambot
4,466,497 A 8/1984 Soinski et al.
4,664,204 A 5/1987 Nenkov et al.
4,800,969 A 1/1989 Thompson
4,823,872 A 4/1989 Hopmann

(Continued)

(**) Term: **14 Years**
(21) Appl. No.: **29/384,675**
(22) Filed: **Feb. 2, 2011**

FOREIGN PATENT DOCUMENTS

EP 1757770 A1 2/2007
(Continued)

OTHER PUBLICATIONS

Issue Notification dated Oct. 19, 2011 from U.S. Appl. No. 13/094,581, filed Apr. 26, 2011 (1 page).

(Continued)

Primary Examiner — Mark Goodwin
(74) *Attorney, Agent, or Firm* — Ballard Spahr LLP

Related U.S. Application Data

(63) Continuation of application No. 12/968,994, filed on Dec. 15, 2010, which is a continuation-in-part of application No. 12/968,127, filed on Dec. 14, 2010, which is a continuation-in-part of application No. 12/898,878, filed on Oct. 6, 2010.

(51) **LOC (9) Cl.** **15-03**
(52) **U.S. Cl.** **D15/21**
(58) **Field of Classification Search** D15/21,
D15/28; 175/403, 58, 236, 243, 246, 317,
175/44, 255, 234, 230, 19, 249, 285, 258,
175/72, 251, 247, 244; 173/137; 166/214,
166/237, 285, 177.4, 98

See application file for complete search history.

(57) **CLAIM**

The ornamental design for a core barrel retracting case, as shown and described.

DESCRIPTION

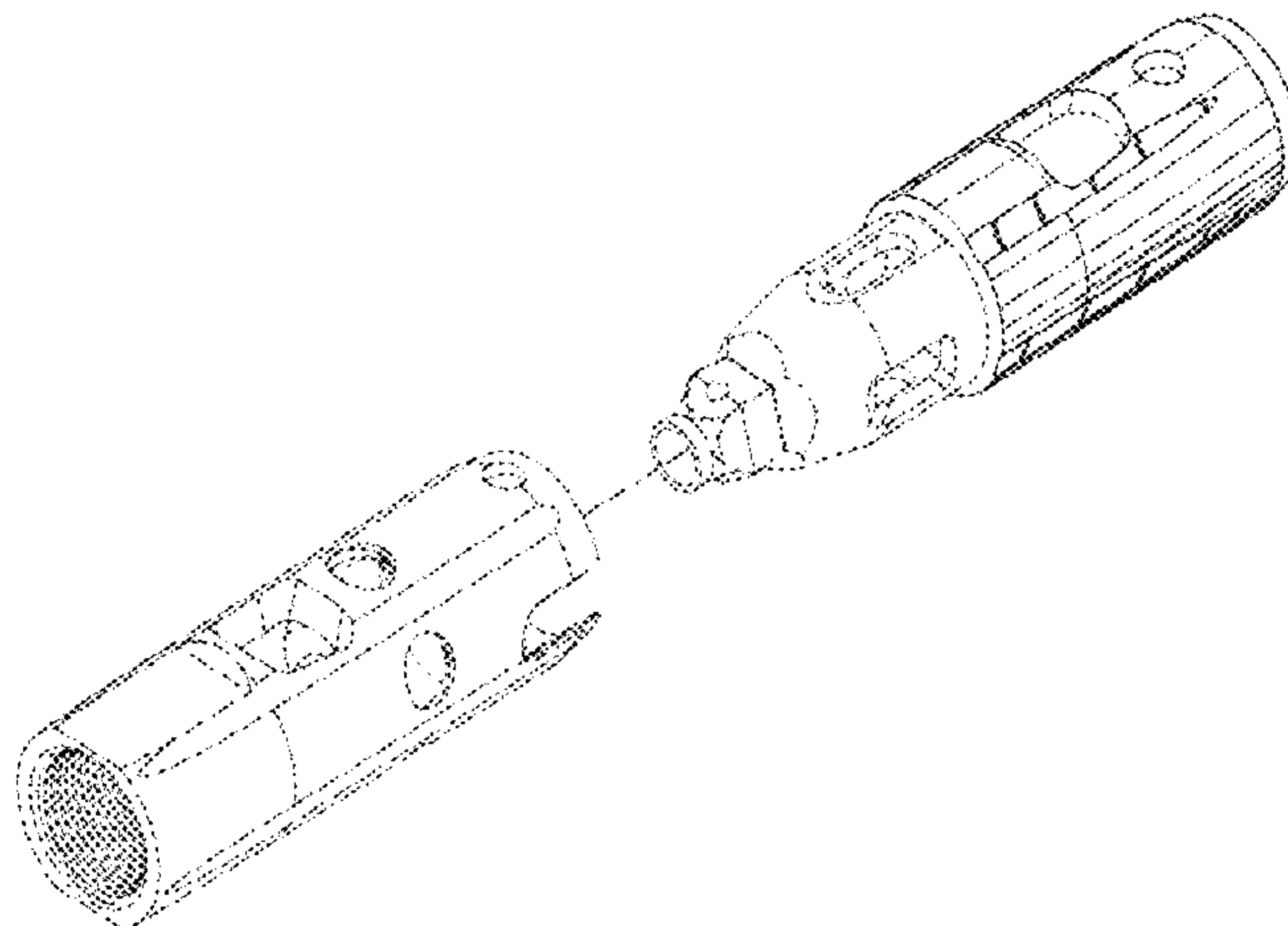
FIG. 1 is a front elevational view of a core barrel retracting case showing my new design as used in a core barrel assembly;
FIG. 2 is an enlarged exploded perspective view thereof;
FIG. 3 is an enlarged assembled front elevational view thereof;
FIG. 4 is a right elevational view thereof;
FIG. 5 is a back elevational view thereof;
FIG. 6 is a left elevational view thereof;
FIG. 7 is a top plan view thereof; and,
FIG. 8 is a bottom plan view thereof.
The broken lines showing environment in the drawings are included for illustrative purposes only and form no part of the claimed design.

(56) **References Cited**

U.S. PATENT DOCUMENTS

2,510,865 A 6/1950 Cooper
2,829,868 A 4/1958 Pickard
3,092,191 A 6/1963 Mori et al.
3,097,708 A * 7/1963 Kammerer et al. 175/260
3,103,981 A 9/1963 Harper
3,115,188 A 12/1963 Cochran et al.
3,126,064 A 3/1964 Miller
3,225,845 A 12/1965 Koontz et al.
3,346,059 A 10/1967 Svendsen
3,363,705 A 1/1968 Jensen
3,461,981 A 8/1969 Casper et al.
3,494,418 A 2/1970 Young
3,543,870 A 12/1970 Martinsen

1 Claim, 5 Drawing Sheets



U.S. PATENT DOCUMENTS

4,832,138	A	5/1989	Hallez	
4,834,198	A	5/1989	Thompson	
4,930,587	A	6/1990	Young et al.	
5,020,612	A	6/1991	Williams	
5,267,620	A	12/1993	Lee	
5,311,950	A	5/1994	Spektor	
5,325,930	A	7/1994	Harrison	
5,662,182	A	9/1997	McLeod et al.	
5,785,134	A	7/1998	McLeod et al.	
5,799,742	A	9/1998	Soinski	
5,934,393	A	8/1999	Marshall	
5,992,543	A	11/1999	Soinski et al.	
D420,013	S	2/2000	Warren et al.	
6,019,181	A	2/2000	Soinski et al.	
6,029,758	A	2/2000	Novacovicci et al.	
6,039,129	A	3/2000	McLeod	
6,059,053	A	5/2000	McLeod	
6,089,335	A	7/2000	Able	
6,371,205	B1	4/2002	Langan et al.	
6,425,449	B1	7/2002	Marshall	
6,564,885	B2	5/2003	Attwater	
6,708,784	B1	3/2004	Borg	
7,296,638	B2	11/2007	Beach et al.	
7,314,101	B2	1/2008	Beach	
7,730,965	B2	6/2010	Jordan et al.	
D622,293	S	8/2010	Drenth et al.	
D622,294	S	8/2010	Drenth et al.	
D622,741	S	8/2010	Drenth et al.	
D624,564	S	9/2010	Drenth et al.	
7,841,400	B2	11/2010	Wells et al.	
D632,309	S	2/2011	Coyle, Jr.	
7,900,716	B2	3/2011	Ibrahim et al.	
7,967,085	B2	6/2011	Drenth	
8,051,924	B2 *	11/2011	Drenth	175/57
8,051,925	B2 *	11/2011	Drenth	175/246
2004/0216927	A1	11/2004	Beach	
2005/0034894	A1	2/2005	Beach et al.	
2005/0241825	A1	11/2005	Burris, II et al.	
2009/0032256	A1	2/2009	Sun et al.	
2009/0173542	A1	7/2009	Ibrahim et al.	
2009/0260882	A1	10/2009	Drenth	
2009/0283328	A1	11/2009	Drivdahl et al.	

FOREIGN PATENT DOCUMENTS

GB	992246	5/1965
WO	9503475	2/1995
WO	03038232	A1 5/2003
WO	2009108113	A1 9/2009
WO	2010096860	A1 9/2010

OTHER PUBLICATIONS

Notice of Allowance dated Aug. 19, 2011 from U.S. Appl. No. 13/094,674, filed Apr. 26, 2011 (11 pages).
 Issue Notification dated Oct. 19, 2011 from U.S. Appl. No. 13/094,674, filed Apr. 26, 2011 (1 page).

Notice of Allowance dated Sep. 20, 2011 from U.S. Appl. No. 29/383,554, filed Jan. 19, 2011 (10 pages).
 Issue Notification dated Aug. 17, 2011 from U.S. Appl. No. 29/383,340, filed Jan. 14, 2011 (1 page).
 International Search Report and Written Opinion dated Jul. 27, 2011 from International Patent Application No. PCT/US2010/060744 filed Dec. 16, 2010 (6 pages).
 International Search Report and Written Opinion dated Jul. 27, 2011 from International Patent Application No. PCT/US2010/060742 filed Dec. 16, 2010 (6 pages).
 Issue Notification dated Oct. 5, 2011 from U.S. Appl. No. 29/383,623, filed Jan. 20, 2011 (1 page).
 International Search Report and Written Opinion dated Oct. 28, 2009 as issued in International Application No. PCT/US2009/041435 filed Apr. 22, 2009.
 Notice of Allowance dated Apr. 6, 2011 from U.S. Appl. No. 29/383,340, filed Jan. 14, 2011 (10 pages).
 Notice of Allowance dated Apr. 6, 2011 from U.S. Appl. No. 29/383,561, filed Jan. 19, 2011 (10 pages).
 Notice of Allowance dated Apr. 8, 2011 from U.S. Appl. No. 29/383,572, filed Jan. 19, 2011 (10 pages).
 Notice of Allowance dated May 26, 2011 from U.S. Appl. No. 29/383,623, filed Jan. 20, 2011 (10 pages).
 Issue Notification dated Jun. 8, 2011 from U.S. Appl. No. 12/427,586, filed Apr. 21, 2009 (1 page).
 Office Action dated Jan. 6, 2011 from U.S. Appl. No. 12/427,586, filed Apr. 21, 2009 (17 Pages).
 Notice of Allowance dated Feb. 25, 2011 from U.S. Appl. No. 12/427,586, filed Apr. 21, 2009 (6 Pages).
 Notice of Allowance dated Aug. 1, 2011 from U.S. Appl. No. 29/383,554, filed Jan. 19, 2011 (10 pages).
 Supplemental Notice of Allowance dated Jul. 11, 2011 from U.S. Appl. No. 29/383,340, filed Jan. 14, 2011 (6 pages).
 Supplemental Notice of Allowance dated Jul. 11, 2011 from U.S. Appl. No. 29/383,561, filed Jan. 19, 2011 (6 pages).
 Issue Notification dated Aug. 3, 2011 from U.S. Appl. No. 29/383,561, filed Jan. 19, 2011 (1 page).
 Issue Notification dated Jul. 27, 2011 from U.S. Appl. No. 29/383,572, filed Jan. 19, 2011 (1 page).
 Office Action dated Aug. 1, 2011 from U.S. Appl. No. 12/528,949, filed Aug. 27, 2009 (8 pages).
 Notice of Allowance dated Aug. 4, 2011 from U.S. Appl. No. 29/383,623, filed Jan. 20, 2011 (10 pages).
 First Action Interview Pilot Program Pre-Interview Communication dated Jul. 8, 2011 from U.S. Appl. No. 13/094,581, filed Apr. 26, 2011 (4 pages).
 First Action Interview Pilot Program Pre-Interview Communication dated Jul. 1, 2011 from U.S. Appl. No. 13/094,674, filed Apr. 26, 2011 (4 pages).
 Notice of Allowance dated Aug. 25, 2011 from U.S. Appl. No. 13/094,581, filed Apr. 26, 2011 (9 pages).
 Issue Notification dated Nov. 2, 2011 from U.S. Appl. No. 29/383,554, filed Jan. 19, 2011 (1 page).

* cited by examiner

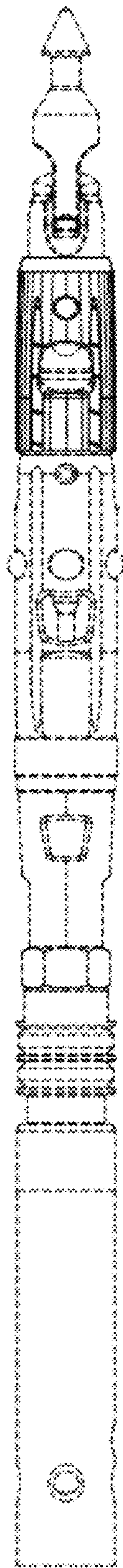


Fig. 1

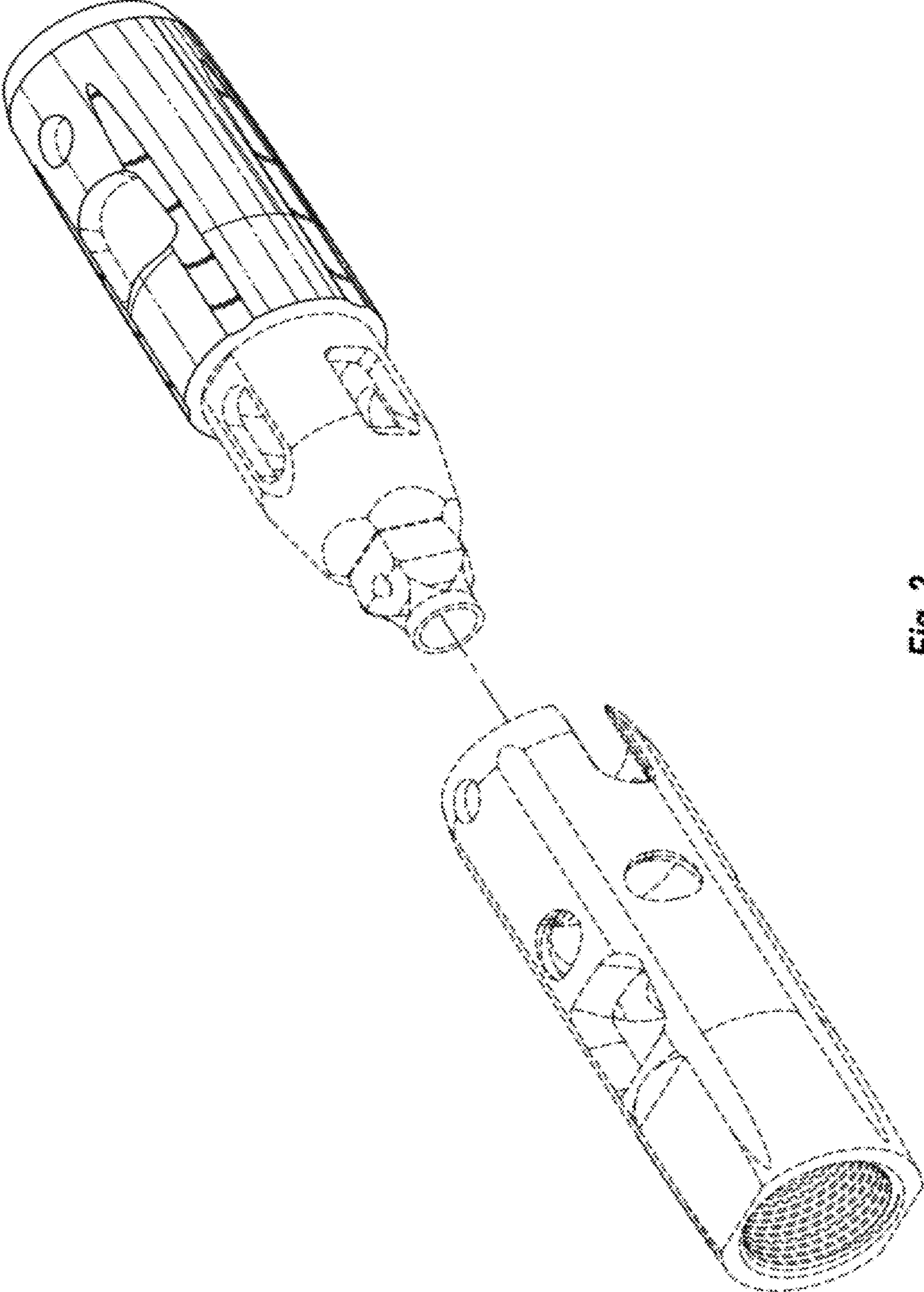


Fig. 2

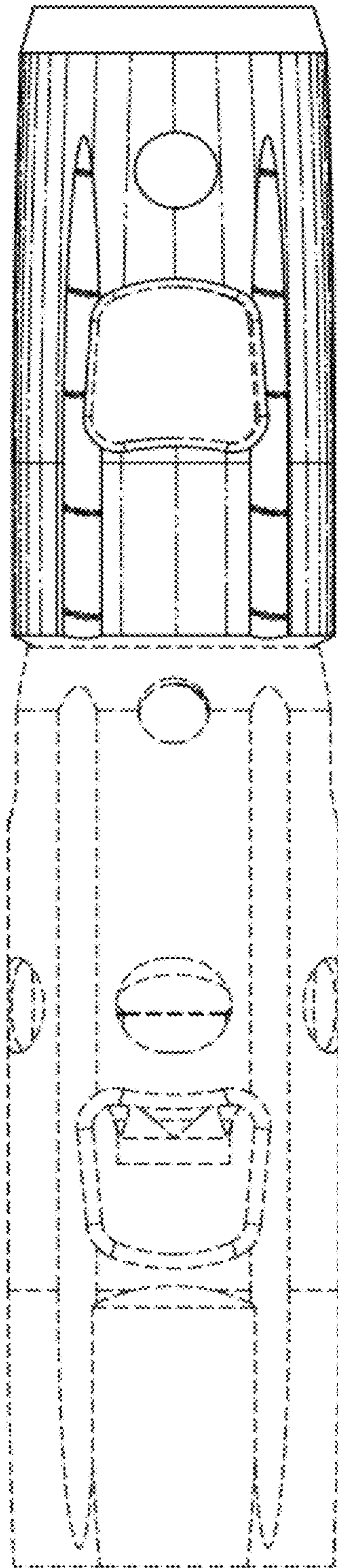


Fig. 3

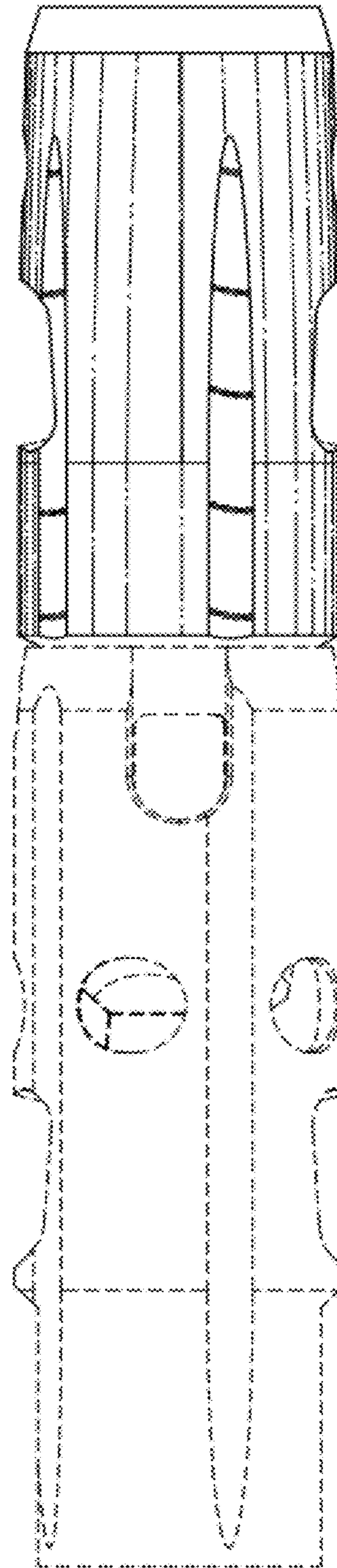


Fig. 4

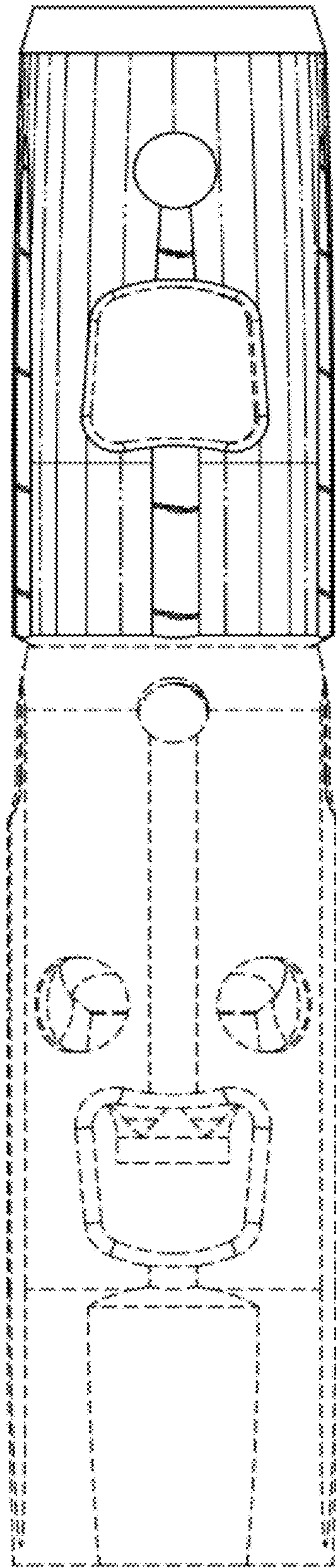


Fig. 5

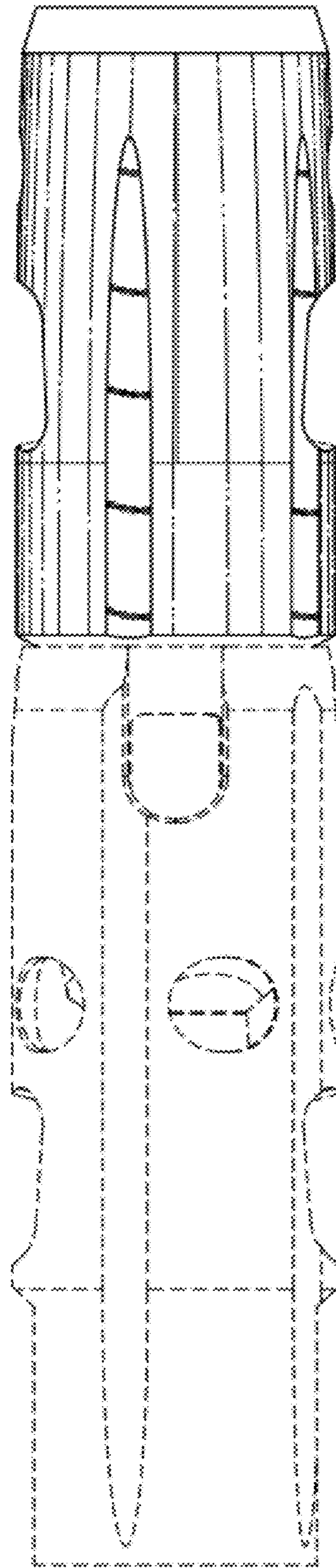


Fig. 6

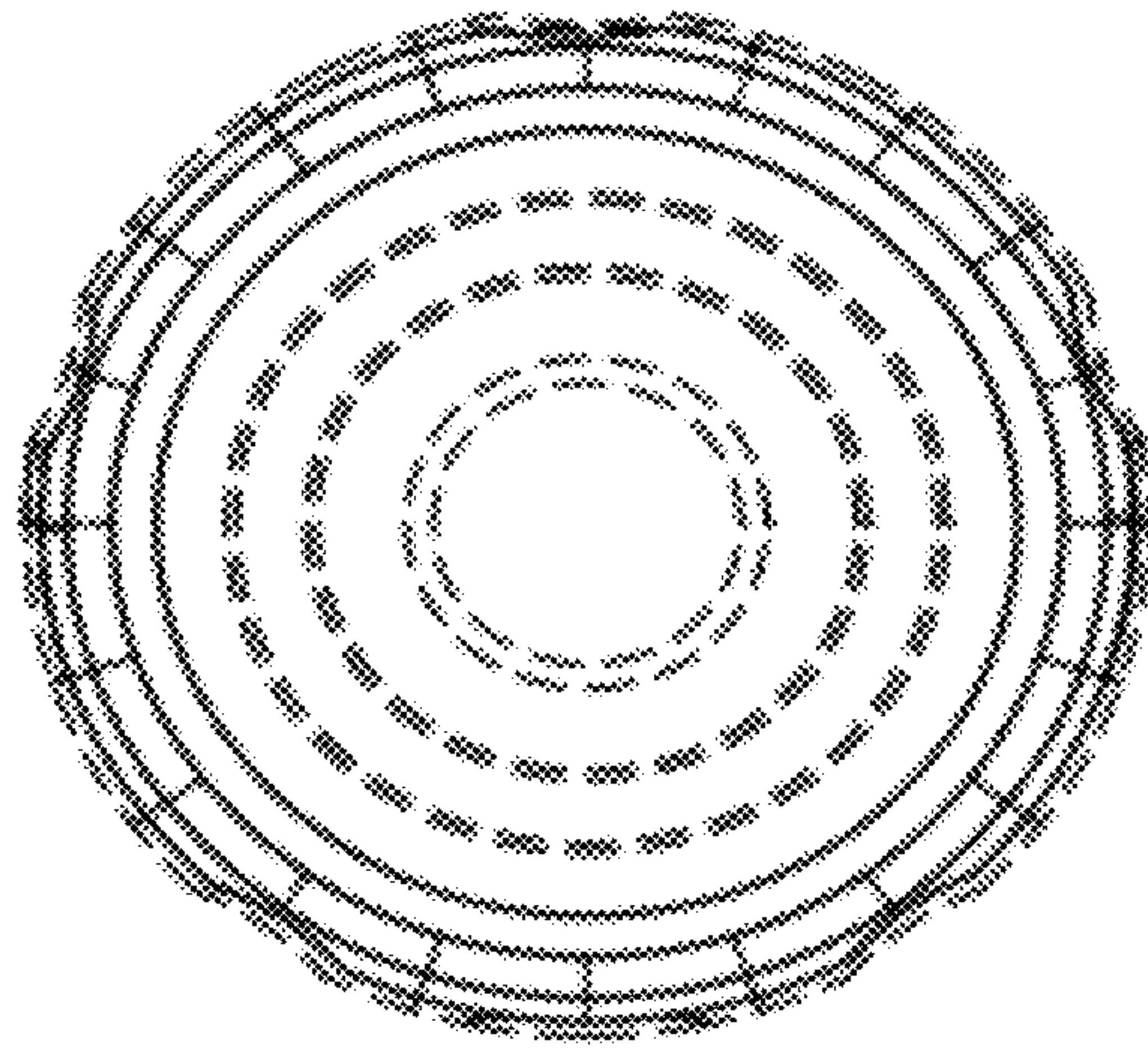


Fig. 7

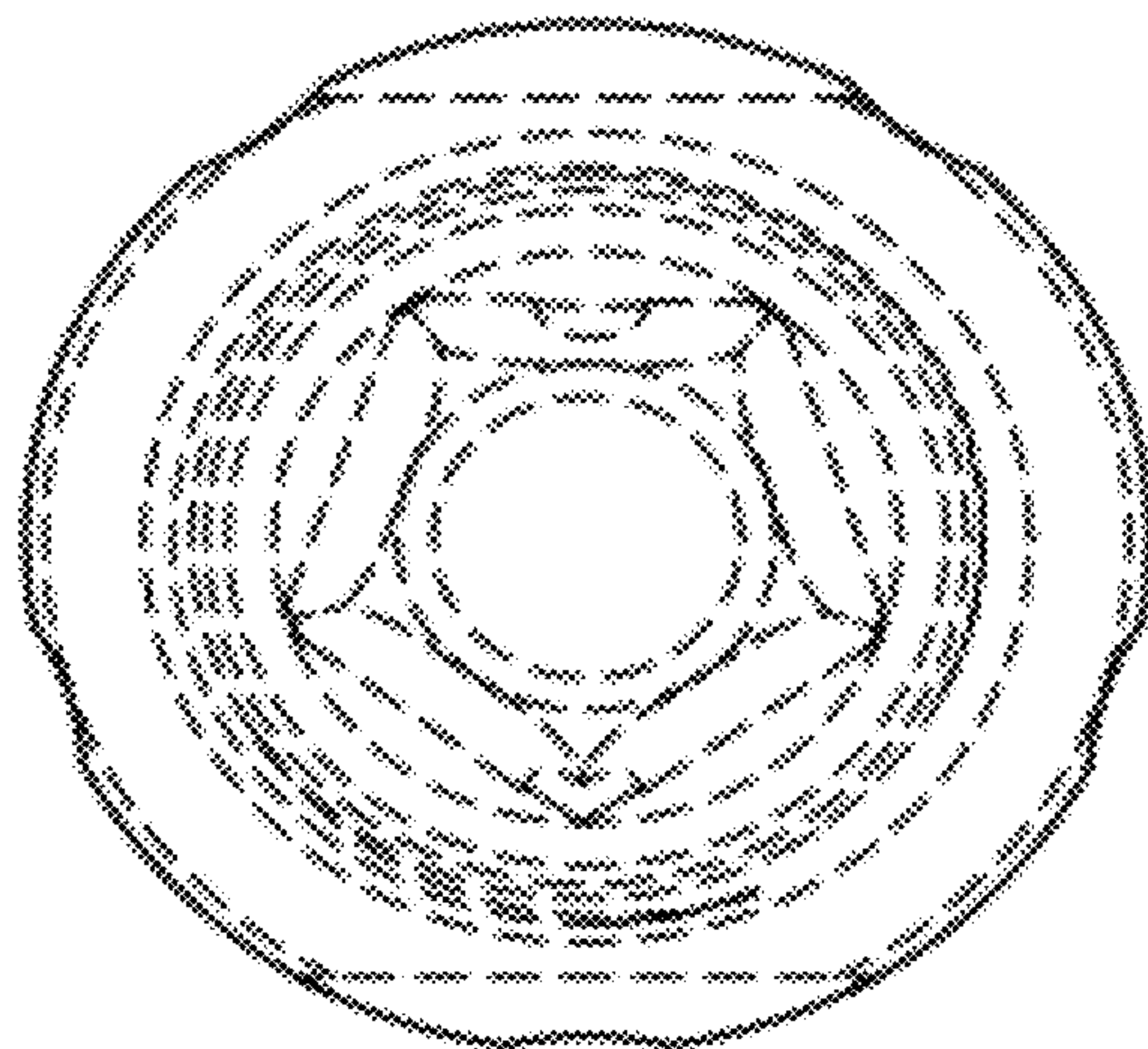


Fig. 8