



US00D664543S

(12) **United States Design Patent**  
**Peskin et al.**

(10) **Patent No.:** **US D664,543 S**  
(45) **Date of Patent:** **\*\* Jul. 31, 2012**

(54) **HAND-HELD SURVEY DATA COLLECTOR**

(75) Inventors: **Christopher A. Peskin**, Corvallis, OR (US); **Gerald W. Steiger**, Corvallis, OR (US); **Timothy Jondrow**, Corvallis, OR (US); **Marty Manning**, Philomath, OR (US); **Brian Hartman**, Corvallis, OR (US); **Benjamin Richardson**, Vancouver, WA (US); **David Adam**, Brentwood, CA (US); **Craig Michael Jurs**, Greenville, SC (US)

(73) Assignee: **Trimble Navigation Limited**, Sunnyvale, CA (US)

(\*\*) Term: **14 Years**

(21) Appl. No.: **29/368,990**

(22) Filed: **Aug. 31, 2010**

(51) **LOC (9) Cl.** ..... **14-02**

(52) **U.S. Cl.** ..... **D14/426; D14/429**

(58) **Field of Classification Search** ..... D14/420, D14/426-430, 453, 346, 341, 347, 412; D13/107, D13/184; 358/473; 235/462.43, 462.45, 235/462.47, 462.48, 462.44, 462.46, 487, 235/472.01, 472.02; 16/110.1, 430, 431; 439/133, 135; 709/219, 201; 710/73; 320/114, 320/115, 123; 361/679; 382/313, 321; 455/575.1, 455/561, 572

See application file for complete search history.

(56) **References Cited**

U.S. PATENT DOCUMENTS

D283,711 S *	5/1986	Deura et al. ....	D14/347
D292,401 S *	10/1987	Lee et al. ....	D14/188
D295,411 S *	4/1988	Cho et al. ....	D14/347
D297,429 S *	8/1988	Pedinielli et al. ....	D14/347
D302,269 S *	7/1989	Kelly ....	D14/374
D308,359 S *	6/1990	Lauchnor et al. ....	D13/168
D312,622 S *	12/1990	Alden et al. ....	D14/347

5,202,817 A *	4/1993	Koenck et al. ....	361/679.09
D342,723 S *	12/1993	Fenkart .....	D14/347
D357,240 S *	4/1995	Kitazumi et al. ....	D14/429
D363,470 S *	10/1995	Yamamoto .....	D14/347
D369,786 S *	5/1996	Hagerty .....	D14/429
5,541,840 A *	7/1996	Gurne et al. ....	701/29.3
D381,975 S *	8/1997	Trausch et al. ....	D14/426
D386,152 S *	11/1997	Warneke .....	
D398,903 S *	9/1998	Chacon et al. ....	D14/343
D404,433 S *	1/1999	Au Yeung .....	D21/329
D447,141 S *	8/2001	Itoh et al. ....	D14/385
D477,598 S *	7/2003	Mathiowetz et al. ....	D14/347
D522,504 S *	6/2006	Steiger et al. ....	D14/347
D535,296 S *	1/2007	Boulware .....	D14/385
D574,380 S *	8/2008	Freed et al. ....	D14/426
D612,852 S *	3/2010	Bancolini .....	D14/426
D613,290 S *	4/2010	Arnold et al. ....	D14/429
D633,501 S *	3/2011	Davoren et al. ....	D14/426
D646,282 S *	10/2011	Davoren et al. ....	D14/426
2002/0060247 A1 *	5/2002	Krishnaswamy et al. ....	235/472.01

\* cited by examiner

*Primary Examiner* — Susan Moon Lee

(57) **CLAIM**

We claim the ornamental design for a hand-held survey data collector, as shown and described.

**DESCRIPTION**

FIG. 1 is a front perspective view of a hand-held survey data collector showing our new design, wherein features shown in broken line are not claimed;

FIG. 2 is a rear perspective view thereof;

FIG. 3 is a front elevation view thereof;

FIG. 4 is a left side elevational view thereof, wherein the right side elevational view is a mirror image of the left side elevational view;

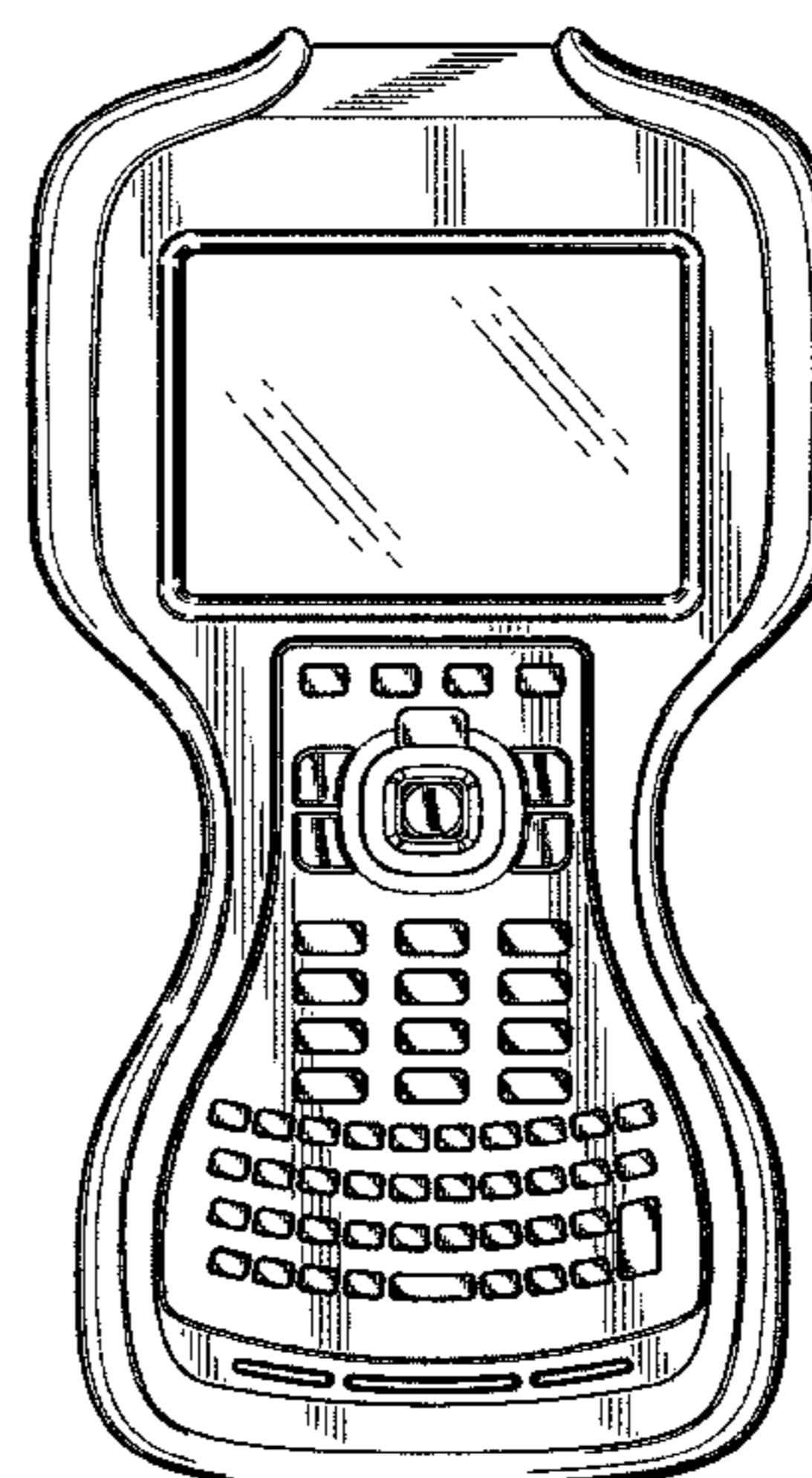
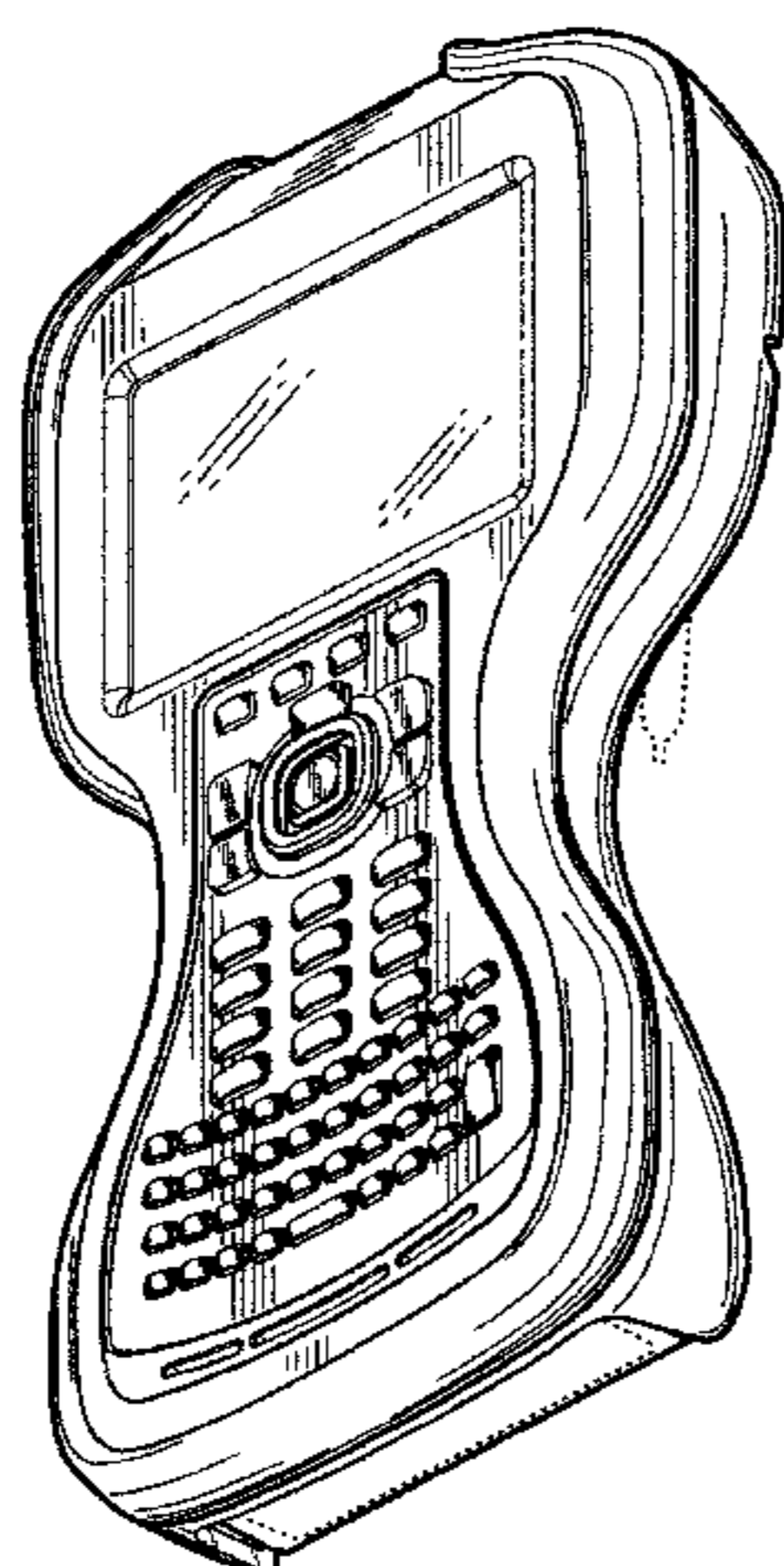
FIG. 5 is a rear elevational view thereof;

FIG. 6 is a top plan view thereof; and,

FIG. 7 is a bottom view thereof.

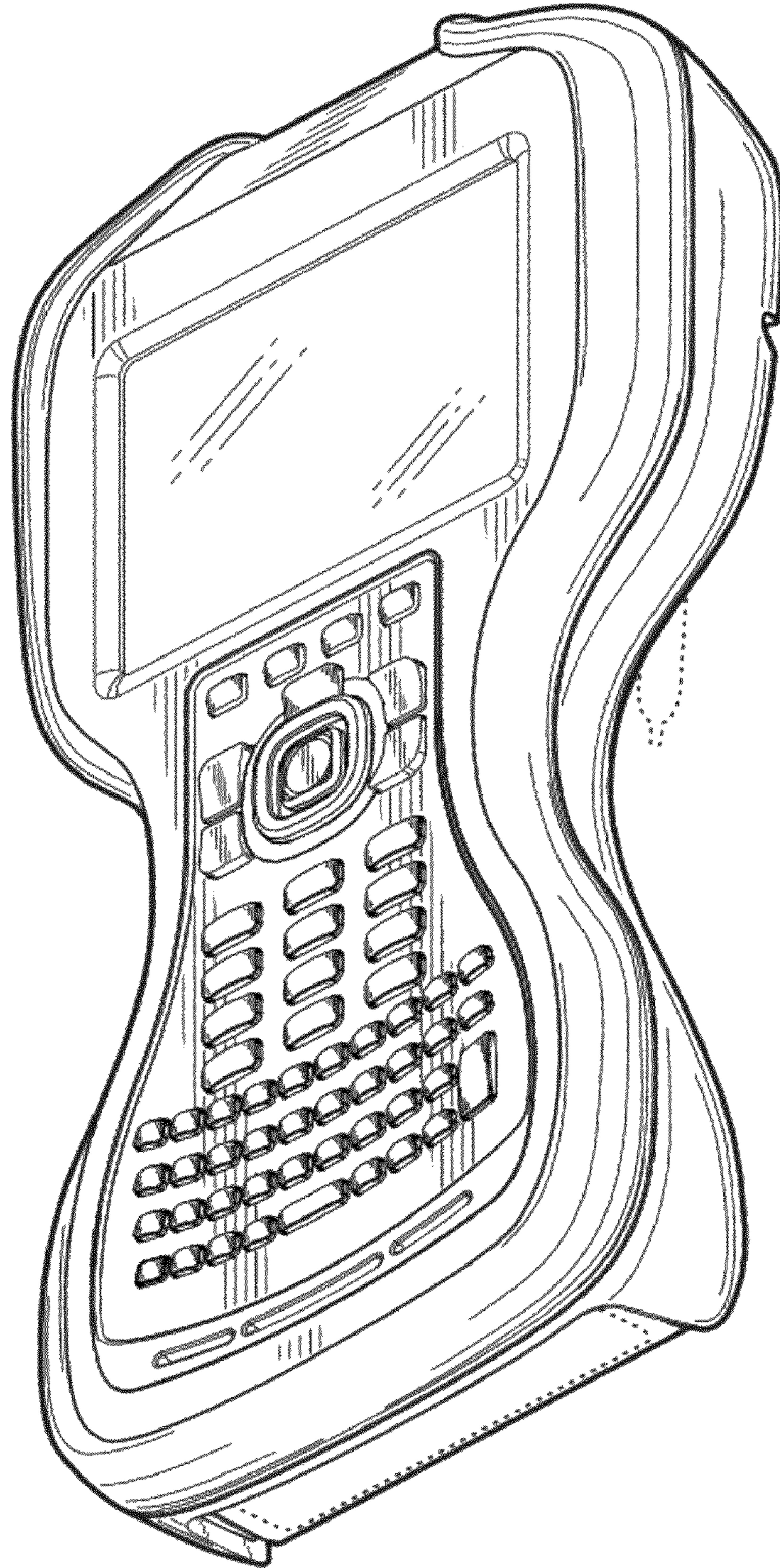
The broken line elements are not claimed.

**1 Claim, 5 Drawing Sheets**

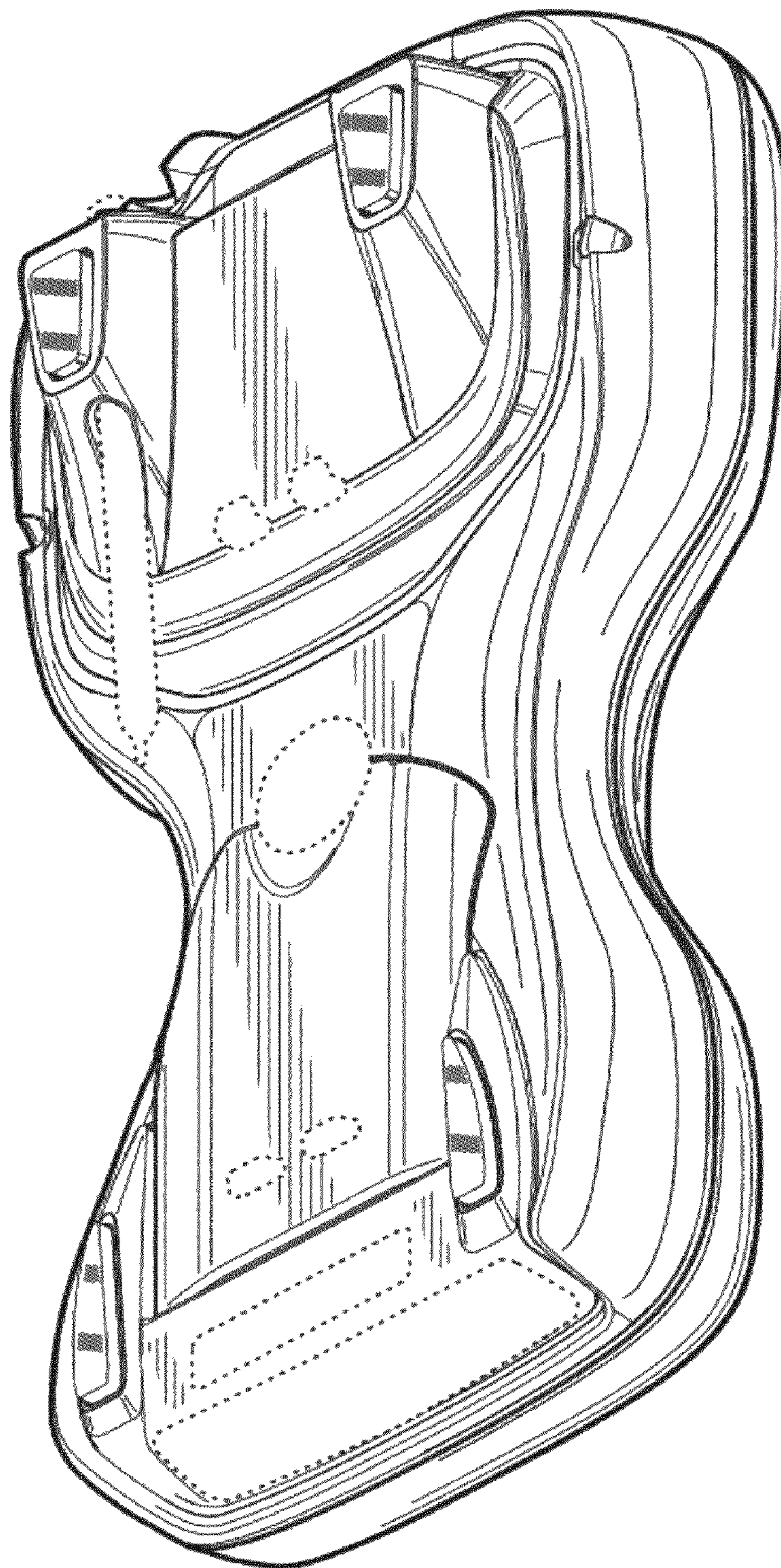




**FIG. 1**

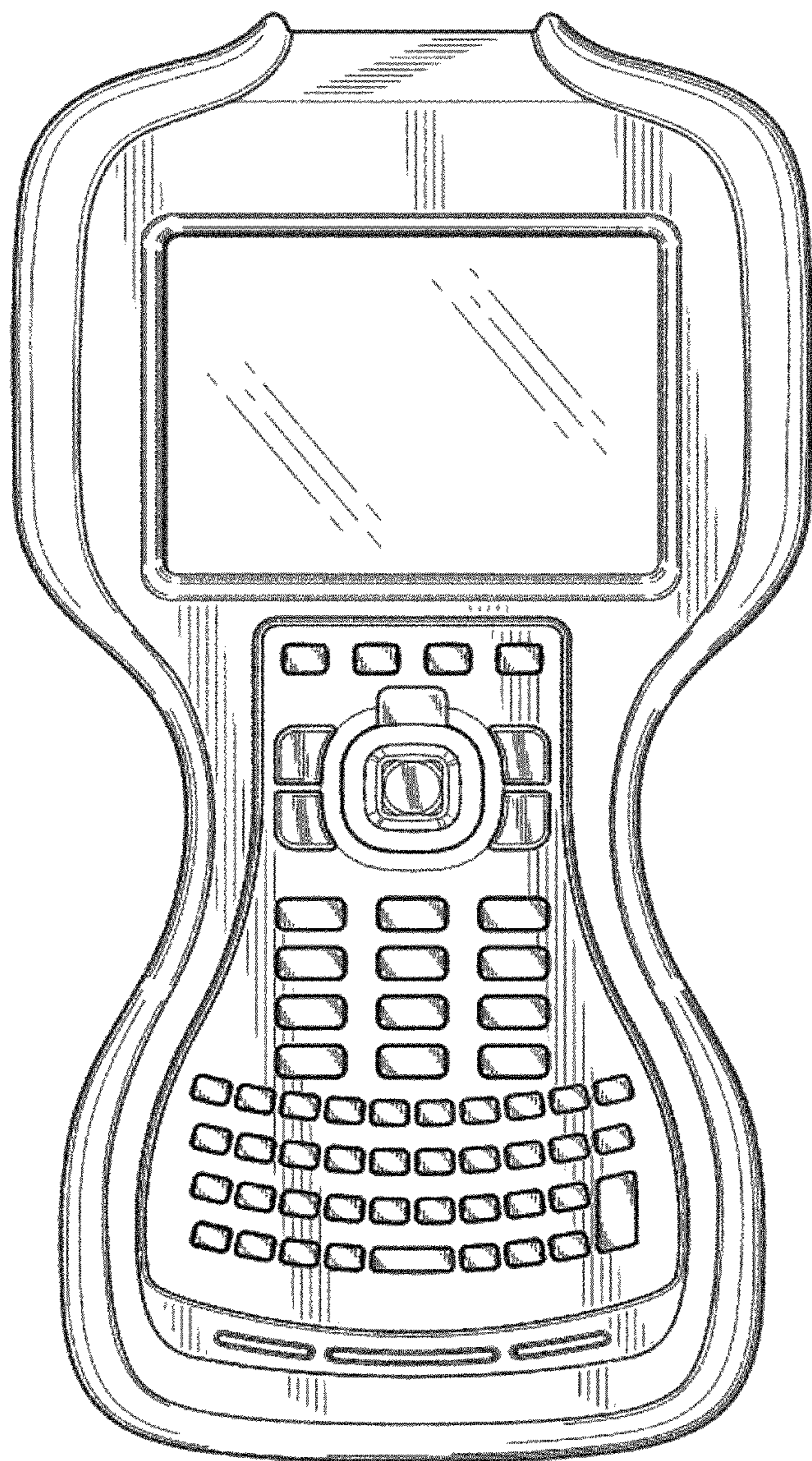




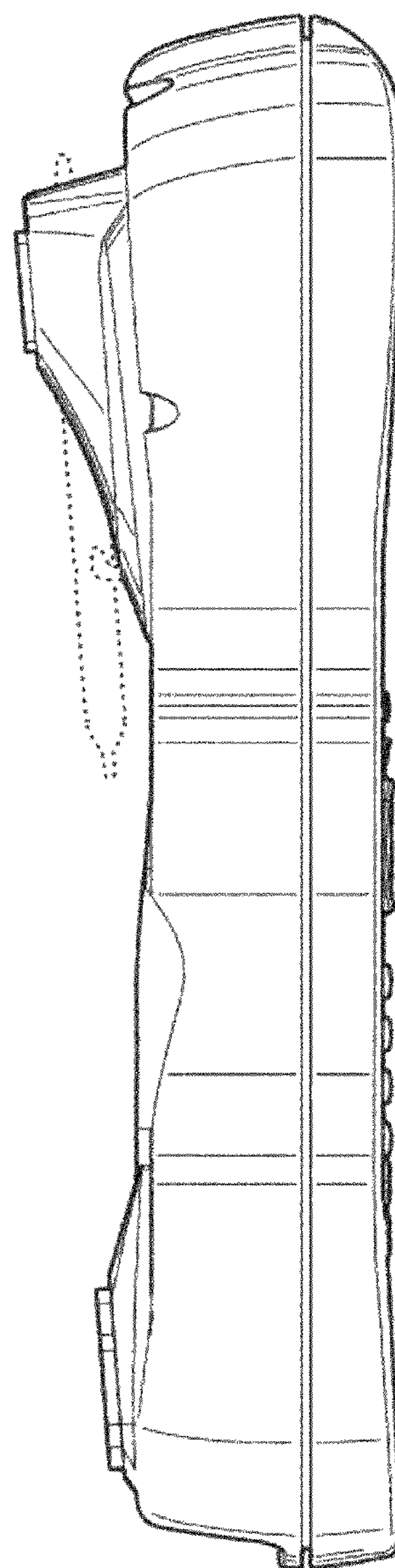


**FIG. 2**



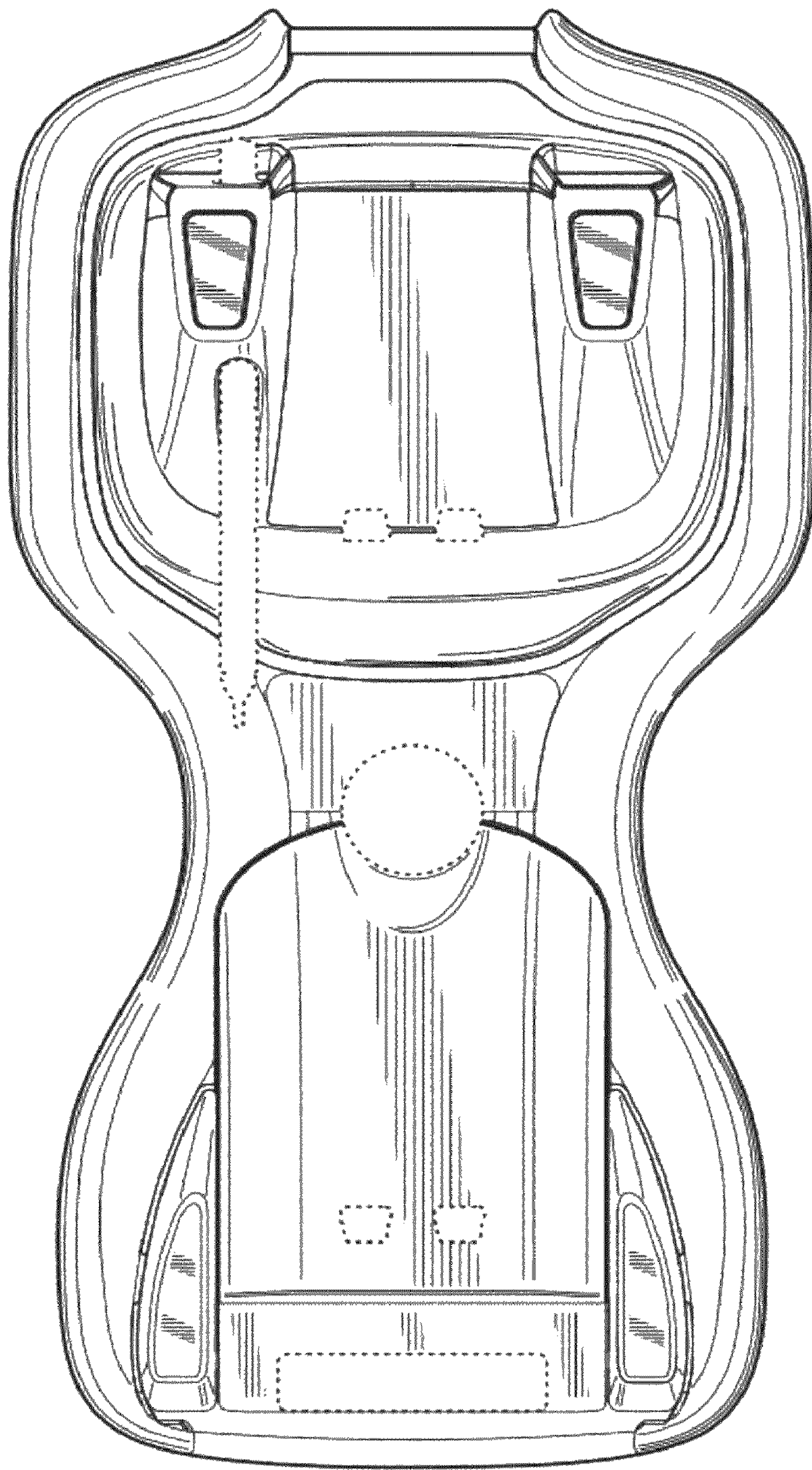


**FIG. 3**



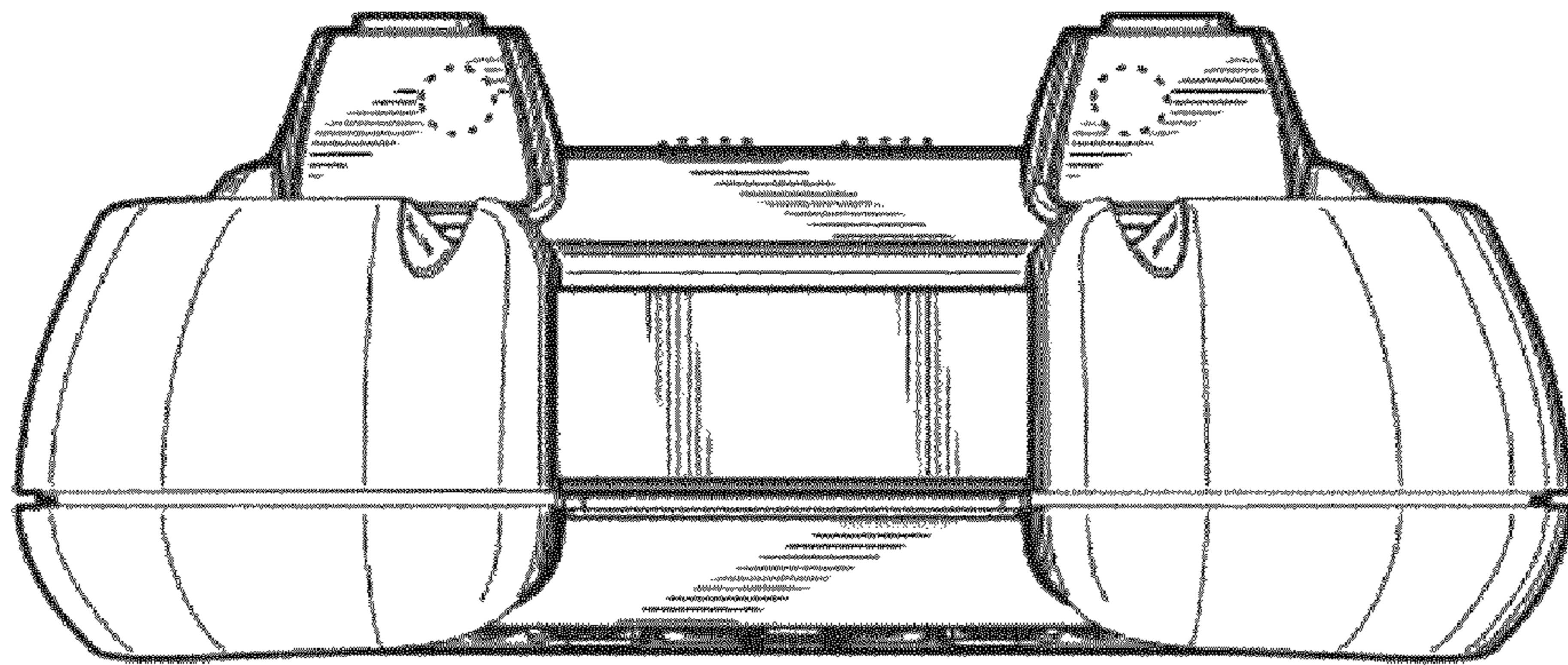
**FIG. 4**



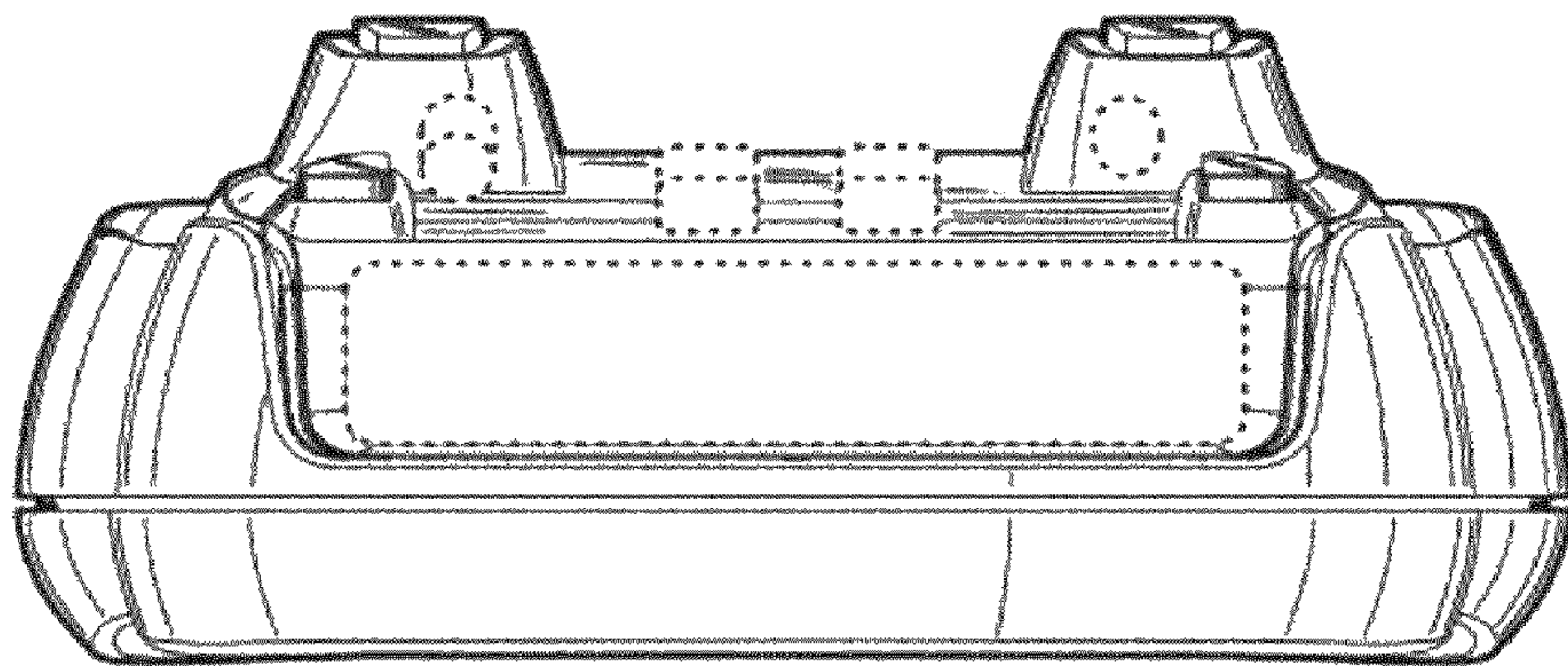


**FIG. 5**





**FIG. 6**



**FIG. 7**