



US00D664542S

(12) **United States Design Patent**
Lee et al.

(10) **Patent No.:** **US D664,542 S**
(45) **Date of Patent:** **** Jul. 31, 2012**

(54) **MONITOR FOR COMPUTER**
(75) Inventors: **Seung-Cheol Lee**, Seoul (KR);
Eui-Seok Kim, Seongnam (KR)
(73) Assignee: **Samsung Electronics Co., Ltd.**, Suwon
(KR)
(**) Term: **14 Years**

KR 3004388560002 3/2007
KR 3004745330000 1/2008
KR 3004772070000 1/2008
KR 3004808250000 3/2008
KR 3004809710000 3/2008
KR 3004745330001 4/2008
KR 3004873790000 4/2008
KR 3004873800000 4/2008
KR 3004873810000 4/2008
KR 3005011860000 8/2008

(21) Appl. No.: **29/393,955**
(22) Filed: **Jun. 10, 2011**

(30) **Foreign Application Priority Data**
Jan. 27, 2011 (KR) 30-2011-0003591
(51) **LOC (9) Cl.** **14-02**
(52) **U.S. Cl.** **D14/374**
(58) **Field of Classification Search** D14/371-375,
D14/125-129, 336, 337; 341/12; 345/104,
345/156, 168, 173; 348/180, 184, 325, 739;
349/1, 2, 11, 62; 361/679.05-679.07, 679.21;
D6/300, 308
See application file for complete search history.

(56) **References Cited**
U.S. PATENT DOCUMENTS
D610,143 S * 2/2010 Park et al. D14/374
D616,884 S * 6/2010 Kim et al. D14/374
D619,979 S * 7/2010 Lee et al. D14/126
D632,291 S * 2/2011 Park D14/374
D635,140 S * 3/2011 Tsai et al. D14/374
D635,569 S * 4/2011 Park D14/374
D635,975 S * 4/2011 Seo et al. D14/374

FOREIGN PATENT DOCUMENTS
KR 3003832320000 6/2005
KR 3003879930000 8/2005
KR 3004144010000 5/2006
KR 3004261490000 9/2006
KR 3004261500000 9/2006
KR 3004293530000 11/2006
KR 3004293530001 11/2006
KR 3004339210000 12/2006
KR 3004388560001 2/2007

OTHER PUBLICATIONS

U.S. Appl. No. 29/393,978, Applicant: Kim, et al., filed Jun. 10, 2011
entitled Monitor for Computer.
U.S. Appl. No. 29/393,894, Applicant: Lee, et al., filed Jun. 10, 2011
entitled Monitor for Computer.
U.S. Appl. No. 29/393,889, Applicant: Kim, et al., filed Jun. 10, 2011
entitled Monitor for Computer.
U.S. Appl. No. 29/393,886, Applicant: Lee, et al., filed Jun. 10, 2011
entitled Monitor for Computer.
U.S. Appl. No. 29/397,048, Applicant: Lee, et al., filed Jul. 11, 2011
entitled Monitor for Computer.
U.S. Appl. No. 29/397,053, Applicant: Lee, et al., filed Jul. 11, 2011
entitled Monitor for Computer.

* cited by examiner

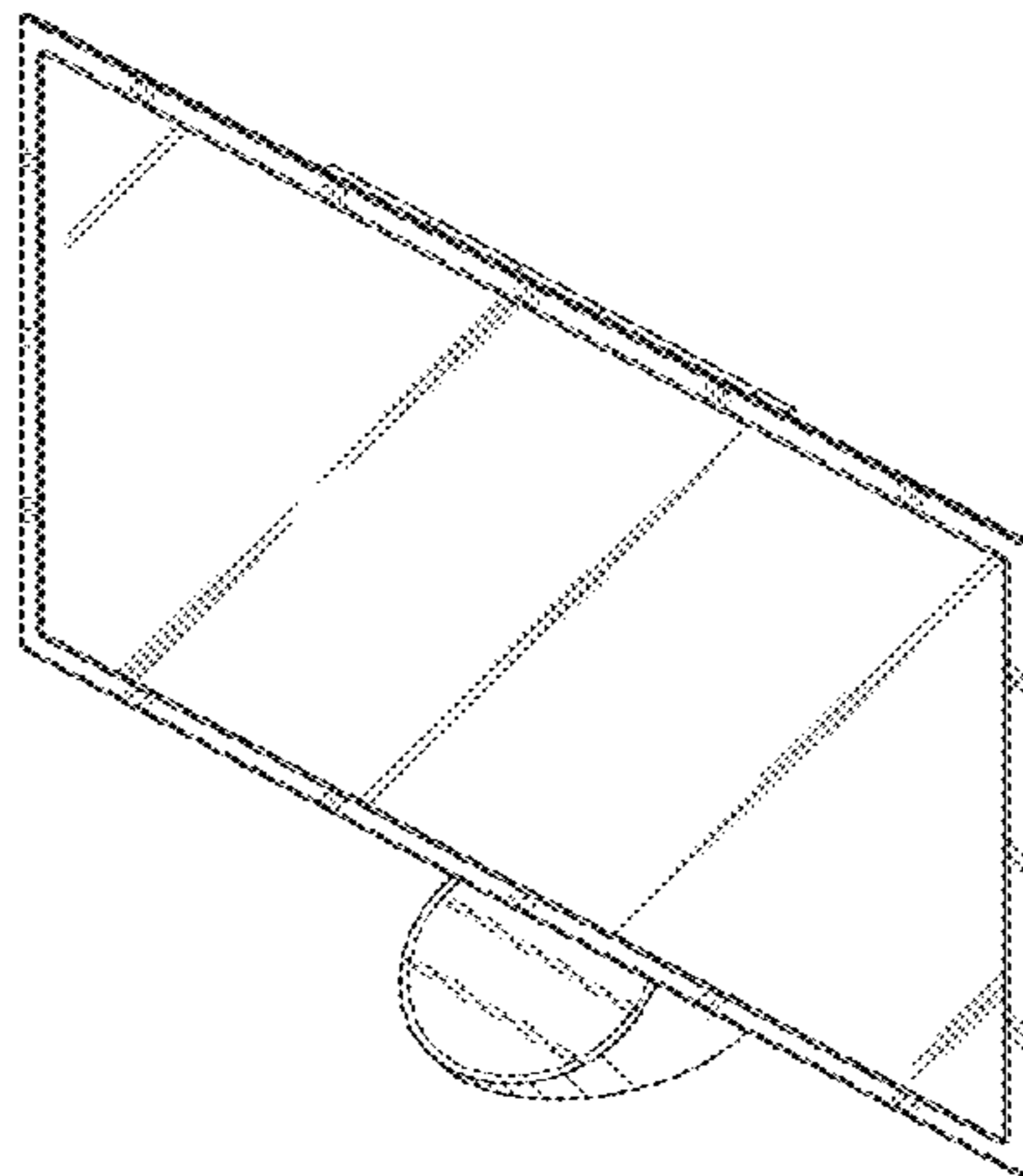
Primary Examiner — Freda S Nunn
(74) *Attorney, Agent, or Firm* — Wood, Herron & Evans,
LLP

(57) **CLAIM**
The ornamental design for monitor for computer, as shown
and described.

DESCRIPTION

FIG. 1 is a top front perspective view of a monitor for com-
puter showing our new design;
FIG. 2 is a front elevational view thereof;
FIG. 3 is a rear elevational view thereof;
FIG. 4 is a left side elevational view thereof;
FIG. 5 is a right side elevational view thereof;
FIG. 6 is a top plan view thereof; and,
FIG. 7 is a bottom plan view thereof.

1 Claim, 5 Drawing Sheets



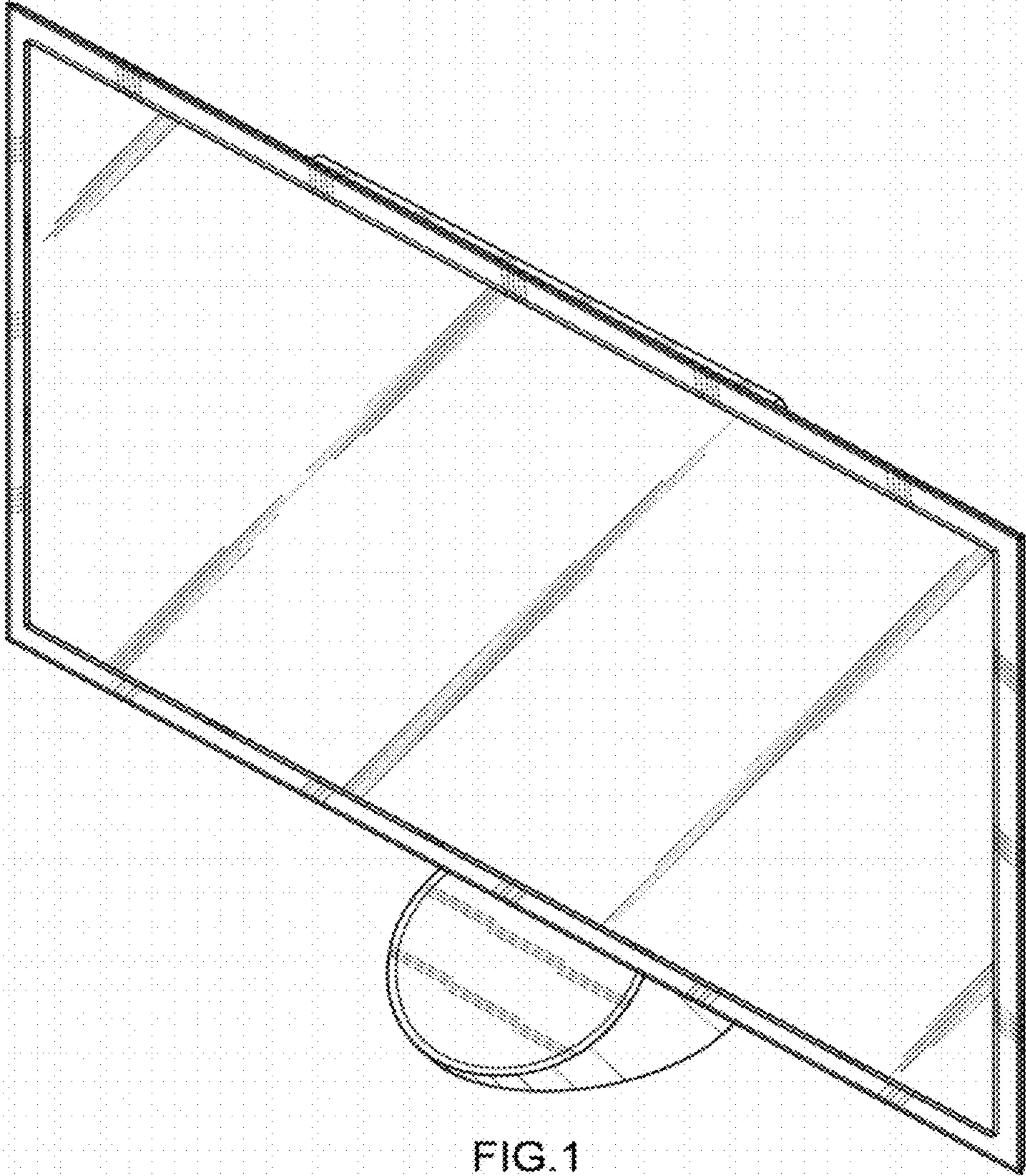


FIG. 1

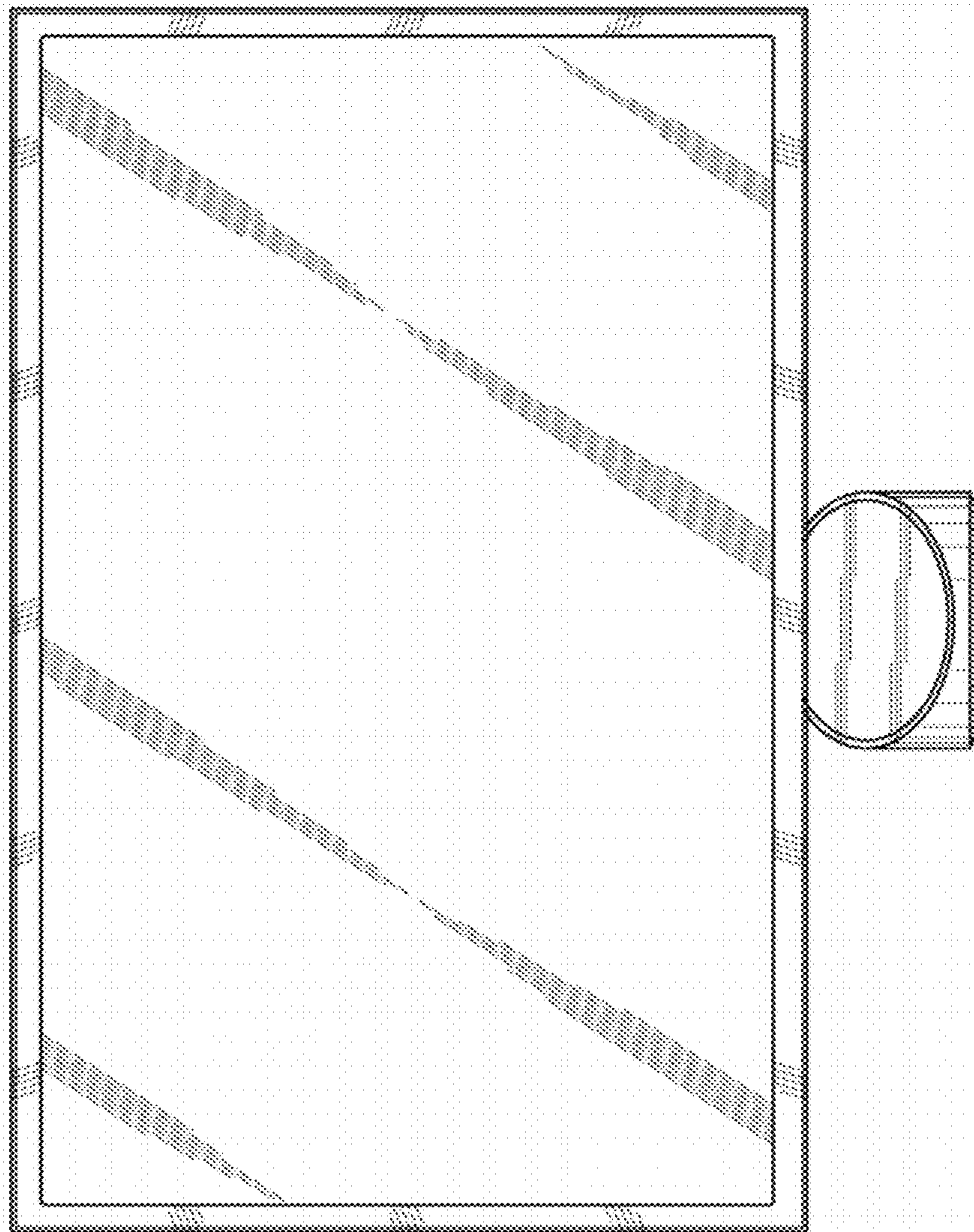


FIG. 2

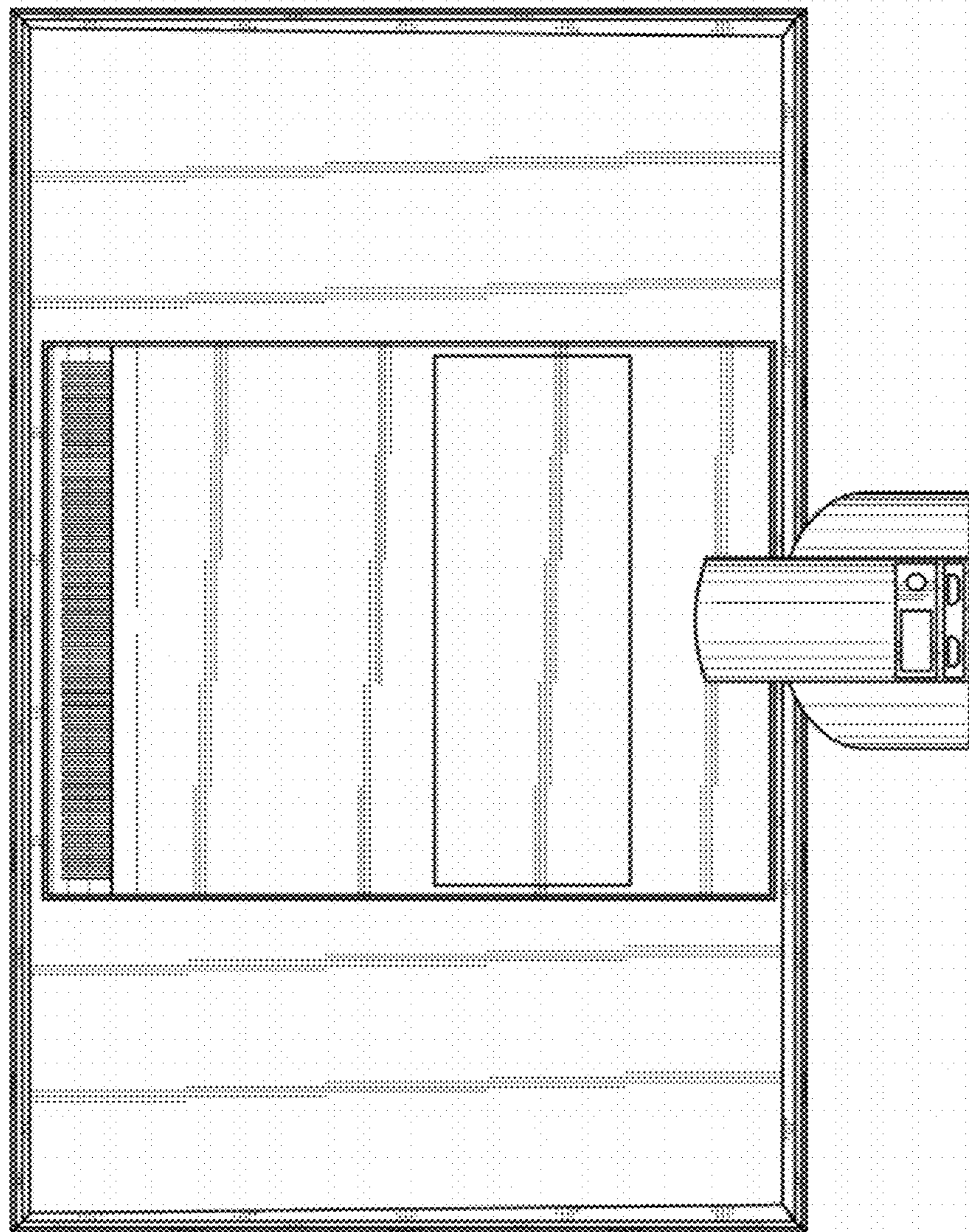


FIG.3

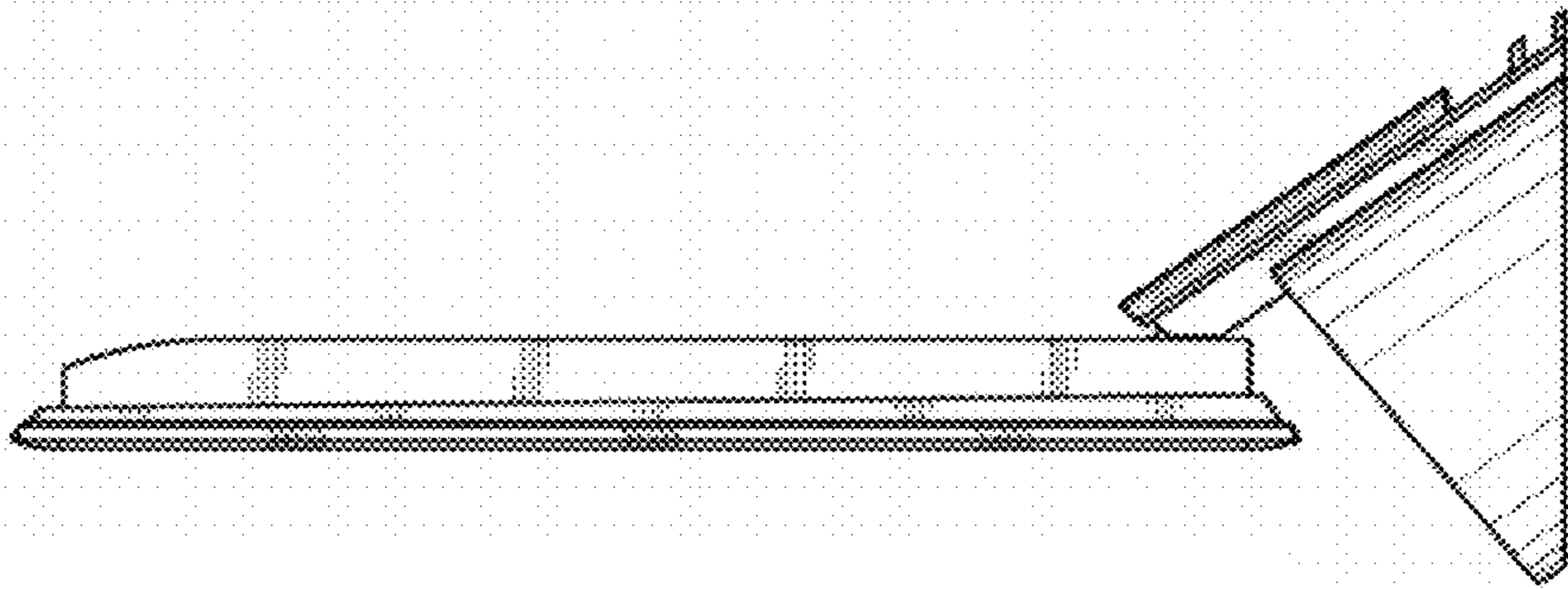


FIG.5

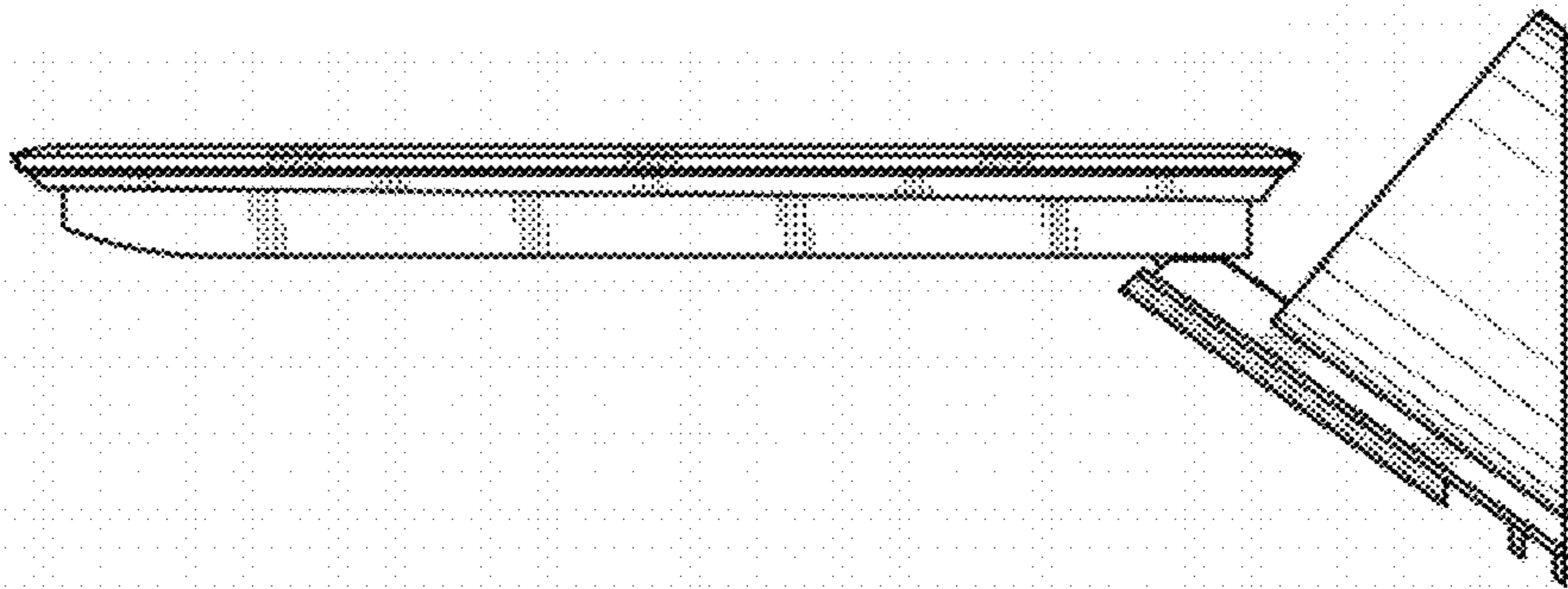


FIG.4

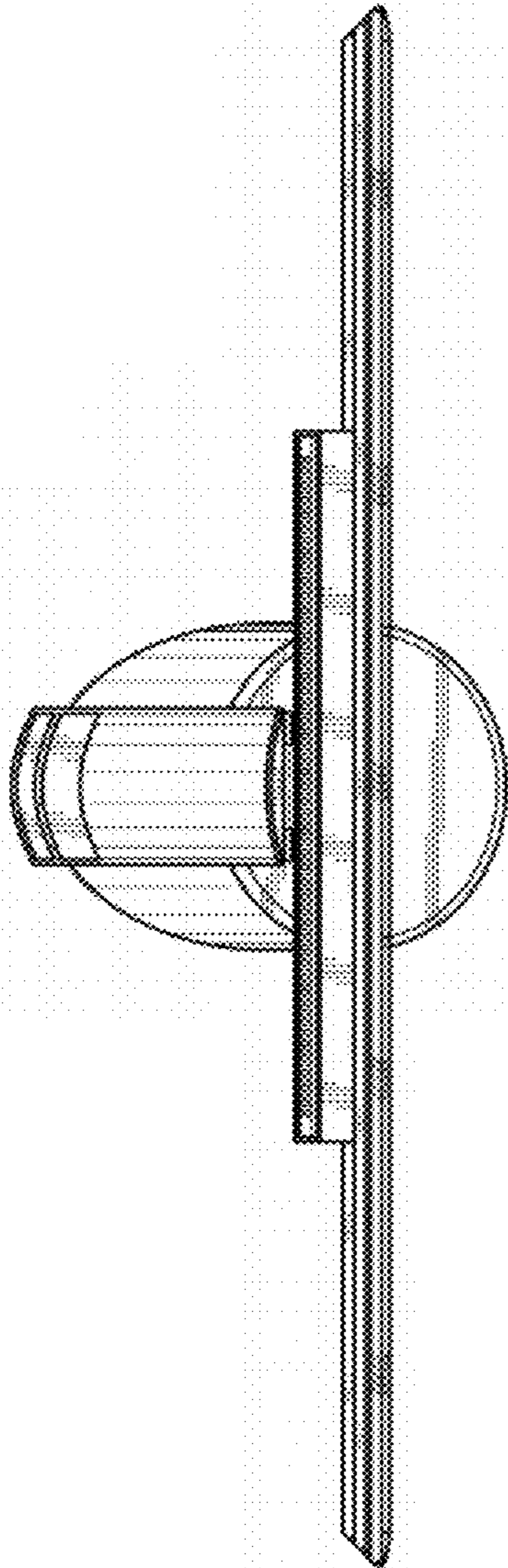


FIG. 6

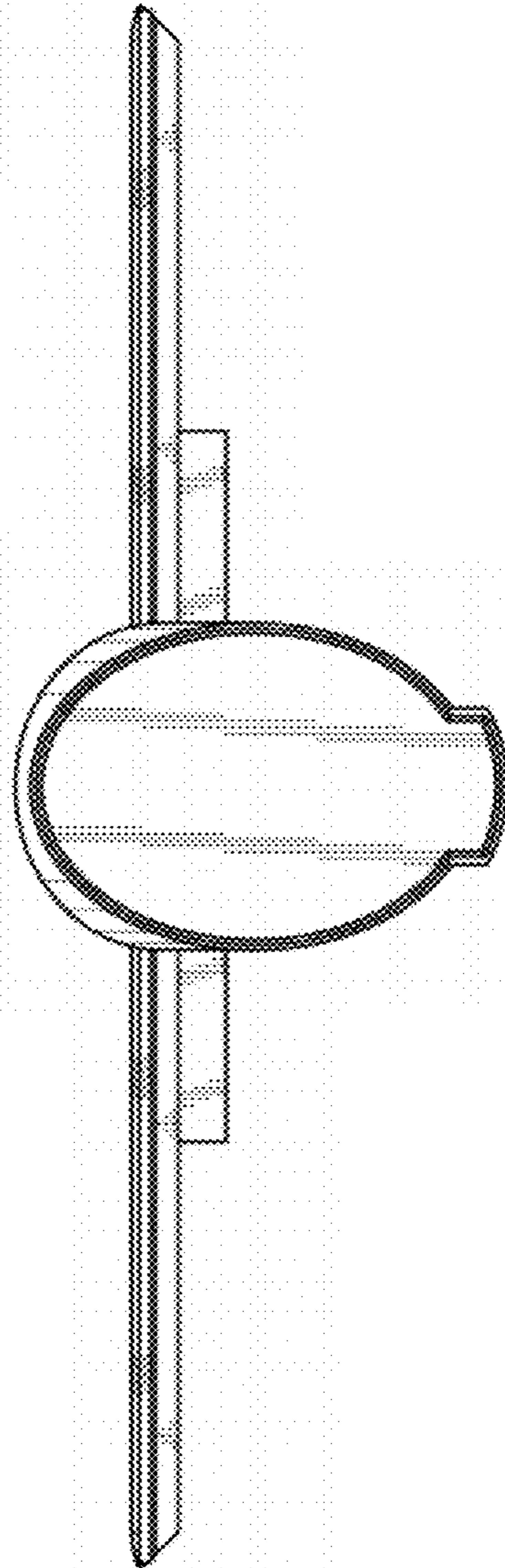


FIG. 7