



US00D664539S

(12) **United States Design Patent**  
**Massaro et al.**

(10) **Patent No.:** **US D664,539 S**  
(45) **Date of Patent:** **\*\* Jul. 31, 2012**

(54) **COMPUTER**

(75) Inventors: **Kevin L. Massaro**, Houston, TX (US);  
**Mark David Senatori**, The Woodlands,  
TX (US); **Ilchan Lee**, Houston, TX (US)

(73) Assignee: **Hewlett-Packard Development  
Company, L.P.**, Houston, TX (US)

(\*\*) Term: **14 Years**

(21) Appl. No.: **29/398,424**

(22) Filed: **Jul. 29, 2011**

(51) **LOC (9) Cl.** ..... **14-02**

(52) **U.S. Cl.** ..... **D14/327**

(58) **Field of Classification Search** ..... D14/315-328;  
D18/1, 2, 7, 11; 235/145 A, 145 R; 341/22,  
341/23; 345/104, 156, 168, 169, 173, 87,  
345/901-905; 361/679.08-679.18, 679.27;  
400/486, 489

See application file for complete search history.

(56) **References Cited**

**U.S. PATENT DOCUMENTS**

6,744,623	B2 *	6/2004	Numano et al.	.....	361/679.27
D496,033	S *	9/2004	Kanayama	.....	D14/318
D602,484	S *	10/2009	Cai	.....	D14/318
D607,450	S *	1/2010	Morishita et al.	.....	D14/318
D616,433	S *	5/2010	Morishita et al.	.....	D14/315

D616,883	S *	6/2010	Denhez et al.	.....	D14/318
D636,388	S *	4/2011	Kawase	.....	D14/315
2003/0151888	A1 *	8/2003	Chien et al.	.....	361/680
2005/0018396	A1 *	1/2005	Nakajima et al.	.....	361/683
2005/0041378	A1 *	2/2005	Hamada et al.	.....	361/680

\* cited by examiner

*Primary Examiner* — Freda S Nunn

(74) *Attorney, Agent, or Firm* — Neal K Patel

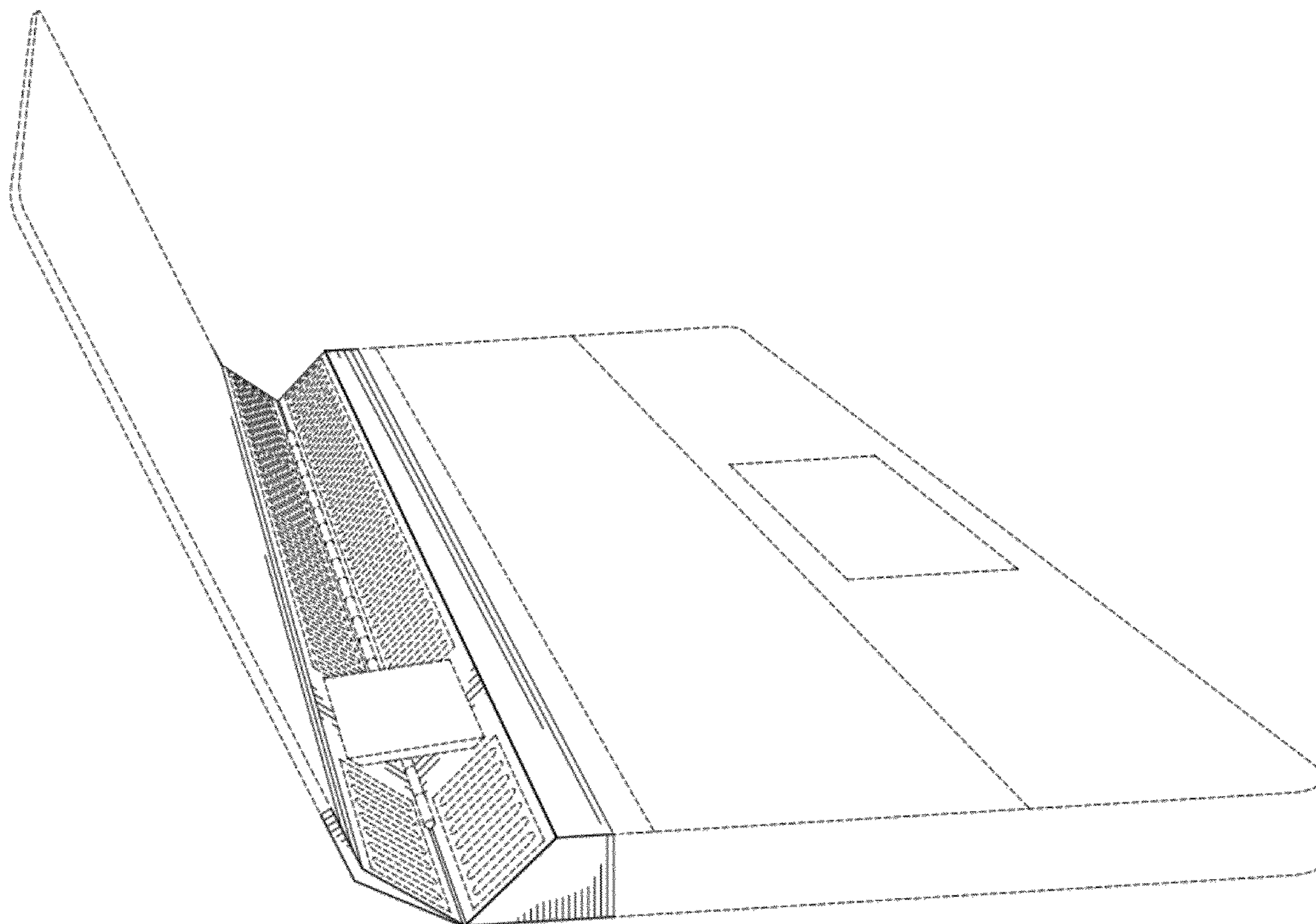
(57) **CLAIM**

We claim the ornamental design for a computer, as shown and described.

**DESCRIPTION**

FIG. 1 is a perspective view of a computer shown in the open position;  
FIG. 2 is a side view of the computer of FIG. 1;  
FIG. 3 is a top view of the computer of FIG. 1;  
FIG. 4 is a bottom view of the computer of FIG. 1;  
FIG. 5 is a rear view of the computer of FIG. 1;  
FIG. 6 is a perspective view of the computer shown in a closed position;  
FIG. 7 is a side view of the computer of FIG. 6;  
FIG. 8 is a rear view of the computer of FIG. 6; and,  
FIG. 9 is a bottom view of the computer of FIG. 6.  
Broken lines shown in the drawings illustrate portions of the computer, and form no part of the claimed design.

**1 Claim, 8 Drawing Sheets**



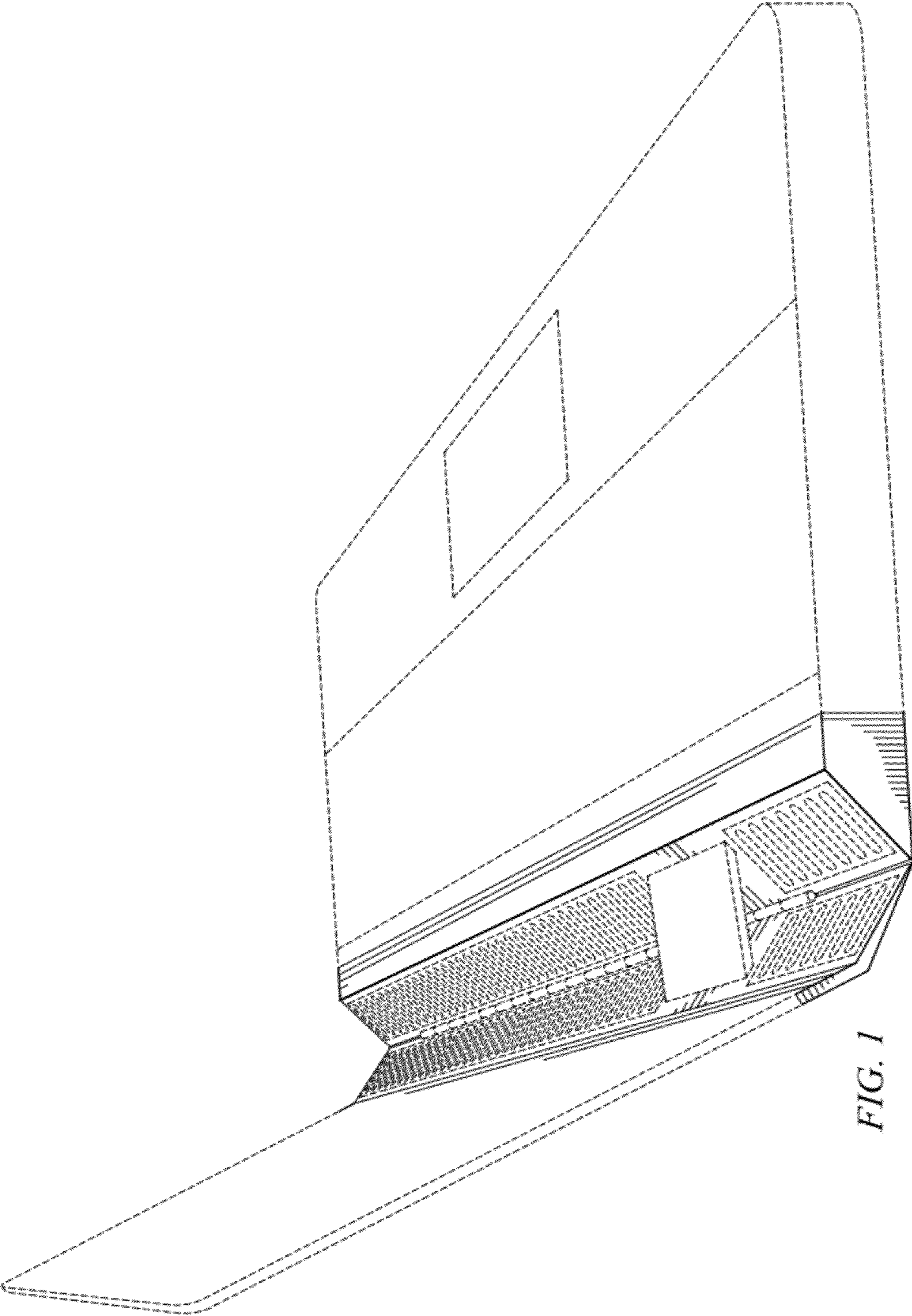


FIG. 1

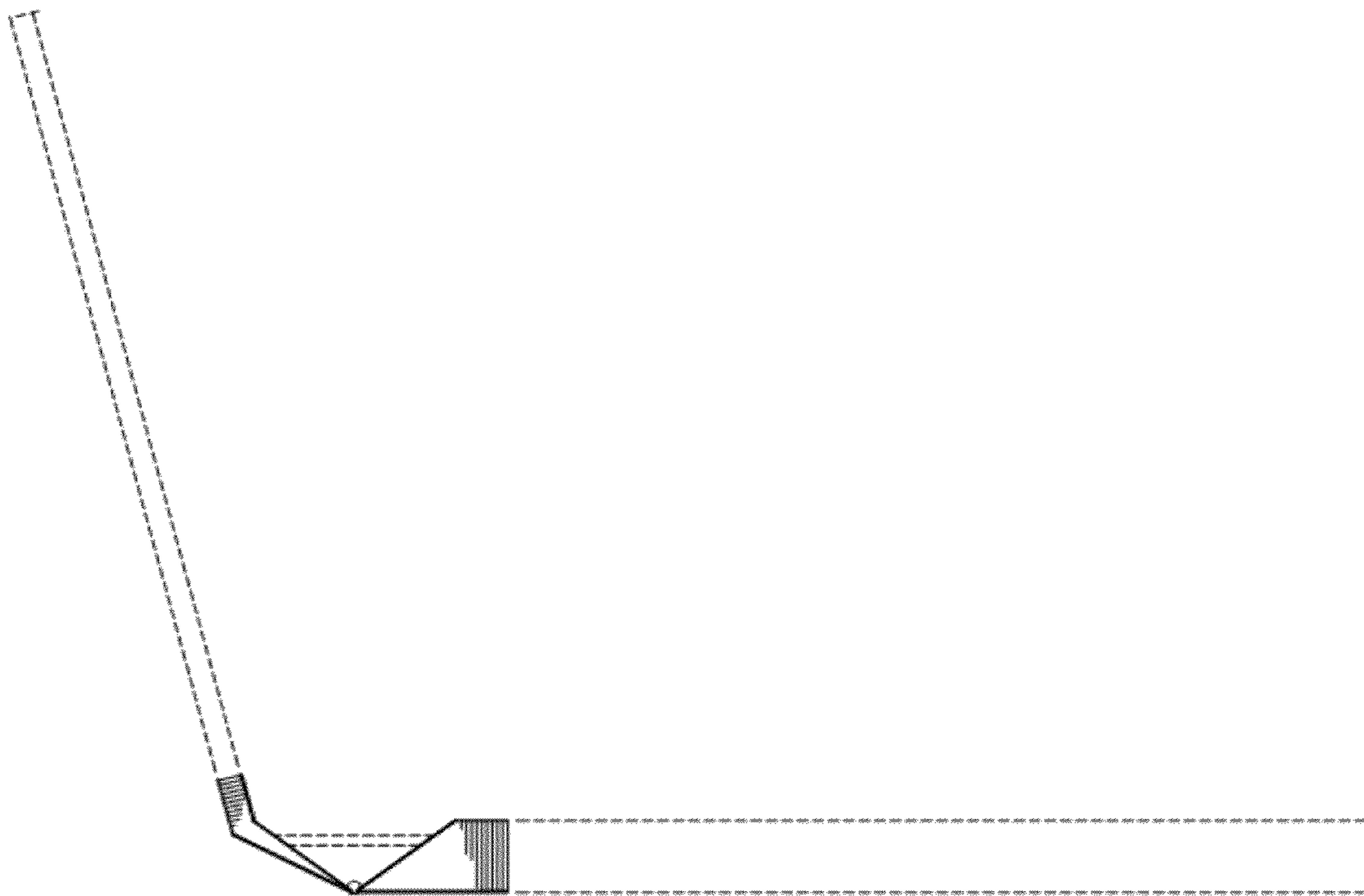


FIG. 2

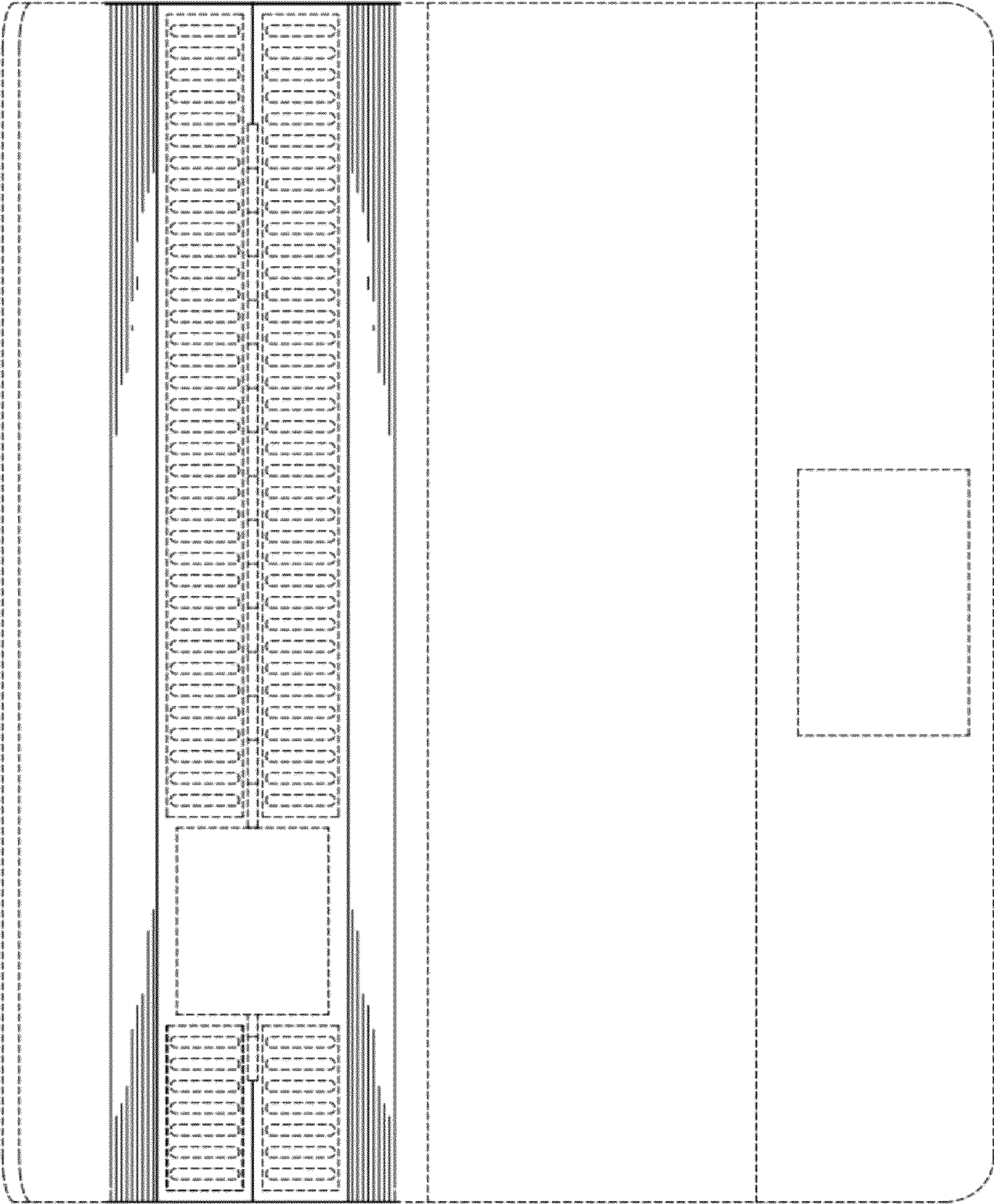


FIG. 3

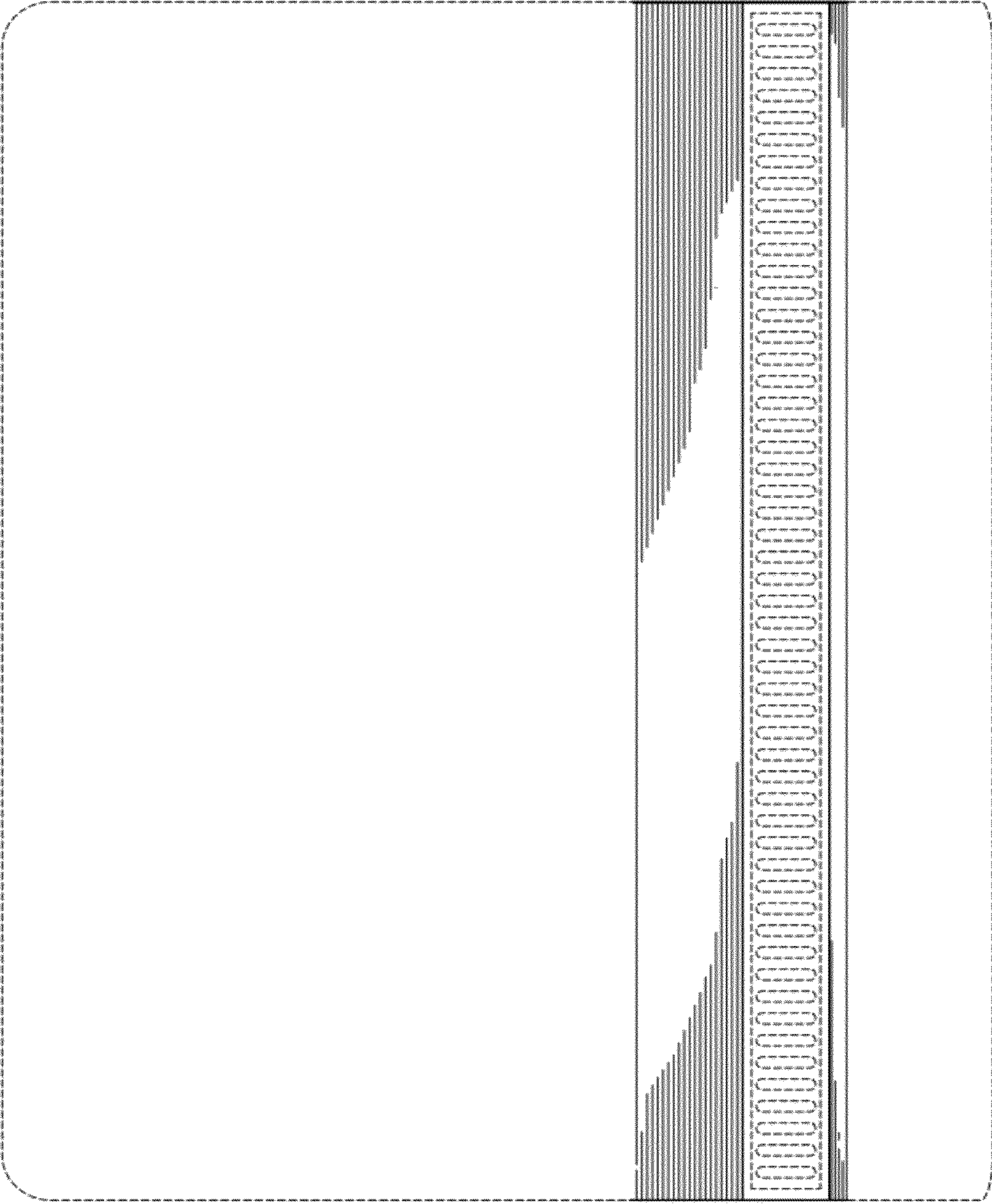
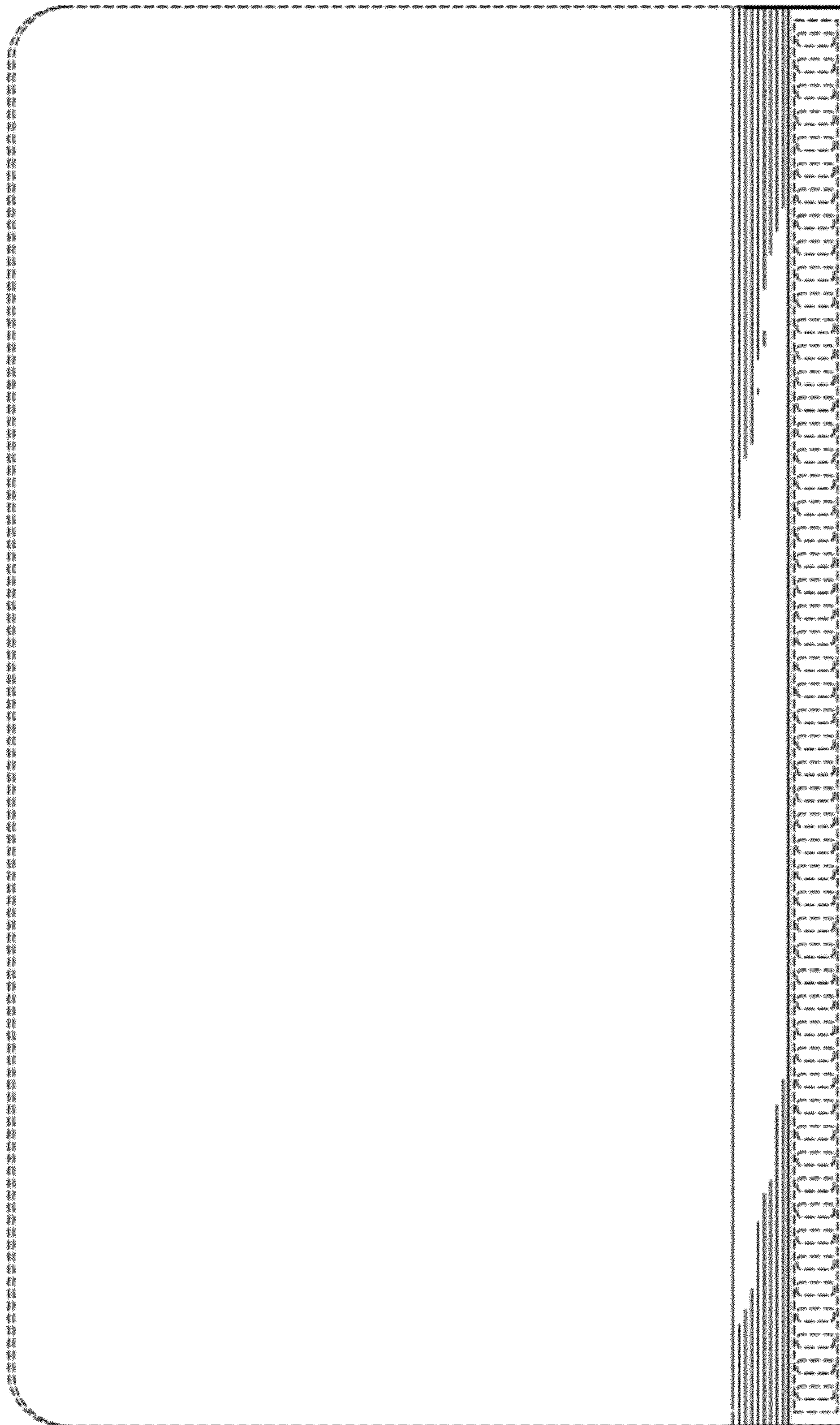


FIG. 4



*FIG. 5*

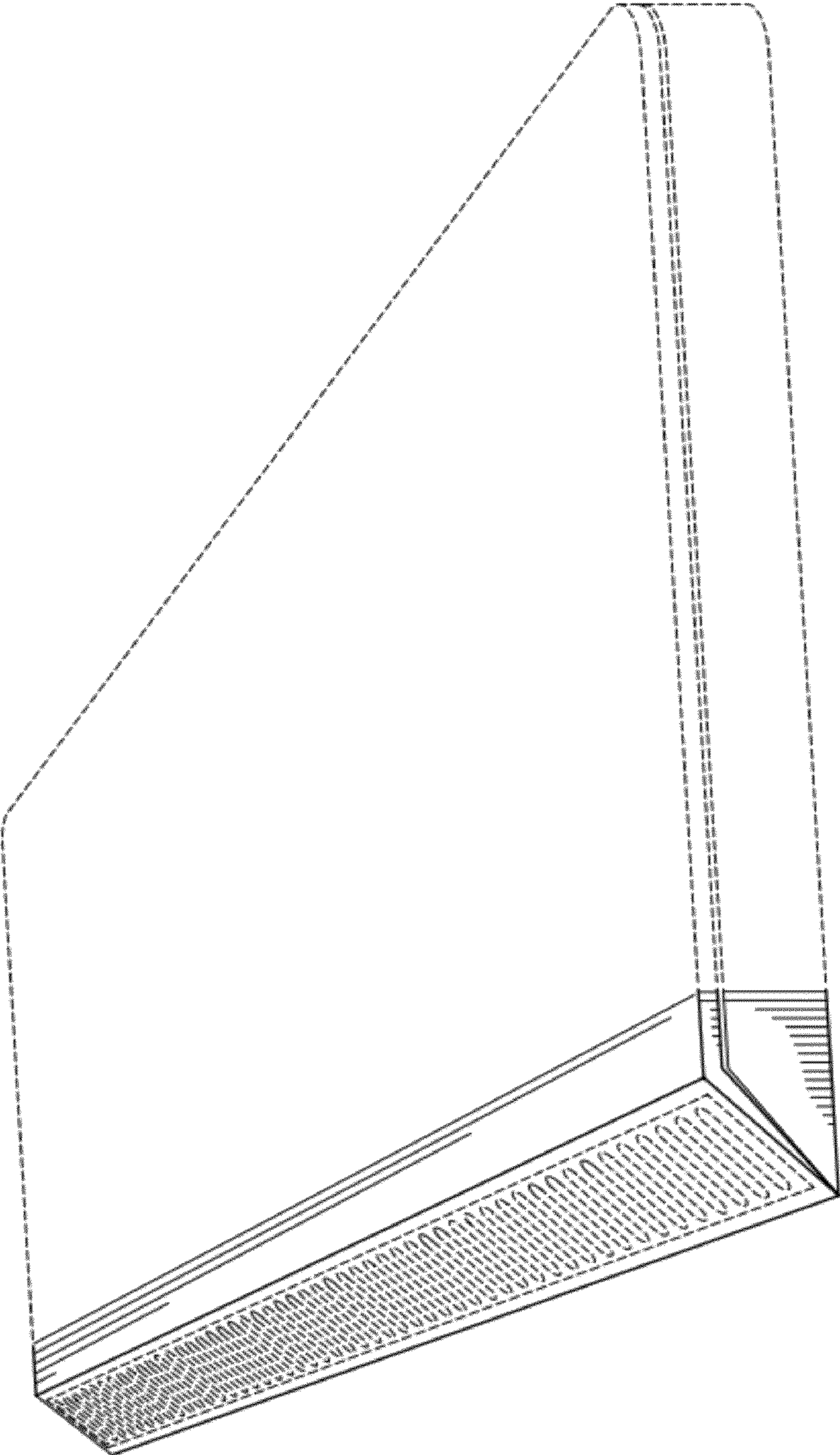


FIG. 6



FIG. 7

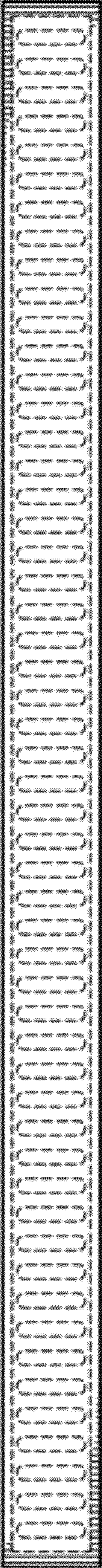
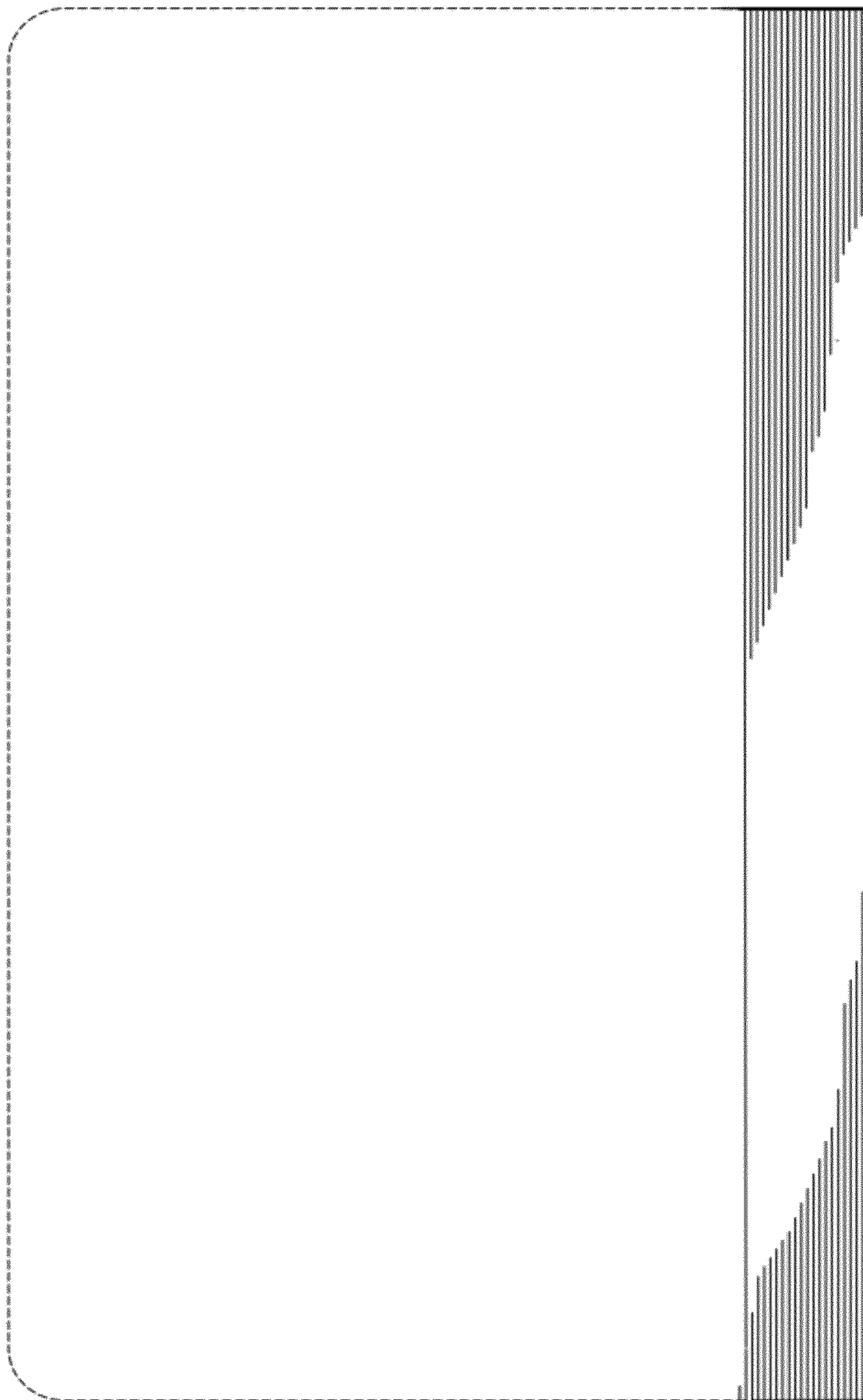


FIG. 8





*FIG. 9*